



US00D818232S

(12) **United States Design Patent** (10) **Patent No.:** **US D818,232 S**
Weisenfeld et al. (45) **Date of Patent:** **** May 15, 2018**

(54) **TIRE SCRAPER**
(71) Applicant: **Caterpillar Inc.**, Peoria, IL (US)
(72) Inventors: **Colin Weisenfeld**, Chatham, IL (US);
Riley Albers, Decatur, IL (US); **Ohidul Islam**, Champaign, IL (US); **Scott Miller**, Clinton, IL (US)

D368,344 S * 3/1996 Hansen D32/41
5,697,683 A 12/1997 Arulandu et al.
D390,191 S * 2/1998 Byfield, Jr. D13/147
D392,841 S * 3/1998 Chastaine D7/412
5,725,292 A 3/1998 Keedy et al.
6,527,347 B2 3/2003 Brawley et al.
D573,855 S * 7/2008 Khechoyan D8/19
D607,164 S * 12/2009 Stiglich D32/35

(Continued)

(73) Assignee: **Caterpillar Inc.**, Deerfield, IL (US)

FOREIGN PATENT DOCUMENTS

(**) Term: **15 Years**

EM 000187760-0007 * 8/2004
WO WO D094910-024 * 3/2017

(21) Appl. No.: **29/578,128**

OTHER PUBLICATIONS

(22) Filed: **Sep. 19, 2016**

Highland Woodworking website, date unknown, Curved Scraper Set, site visited Dec. 20, 2017.*

(51) **LOC (11) Cl.** **07-05**

(52) **U.S. Cl.**
USPC **D32/46**

(58) **Field of Classification Search**
USPC D32/40-49, 25, 30, 32-33; D7/683, 653;
D8/11-13, 394-396
See application file for complete search history.

Primary Examiner — John Windmuller

Assistant Examiner — John R Yeh

(74) *Attorney, Agent, or Firm* — Saidman Design Law Group

(56) **References Cited**

(57) **CLAIM**

U.S. PATENT DOCUMENTS

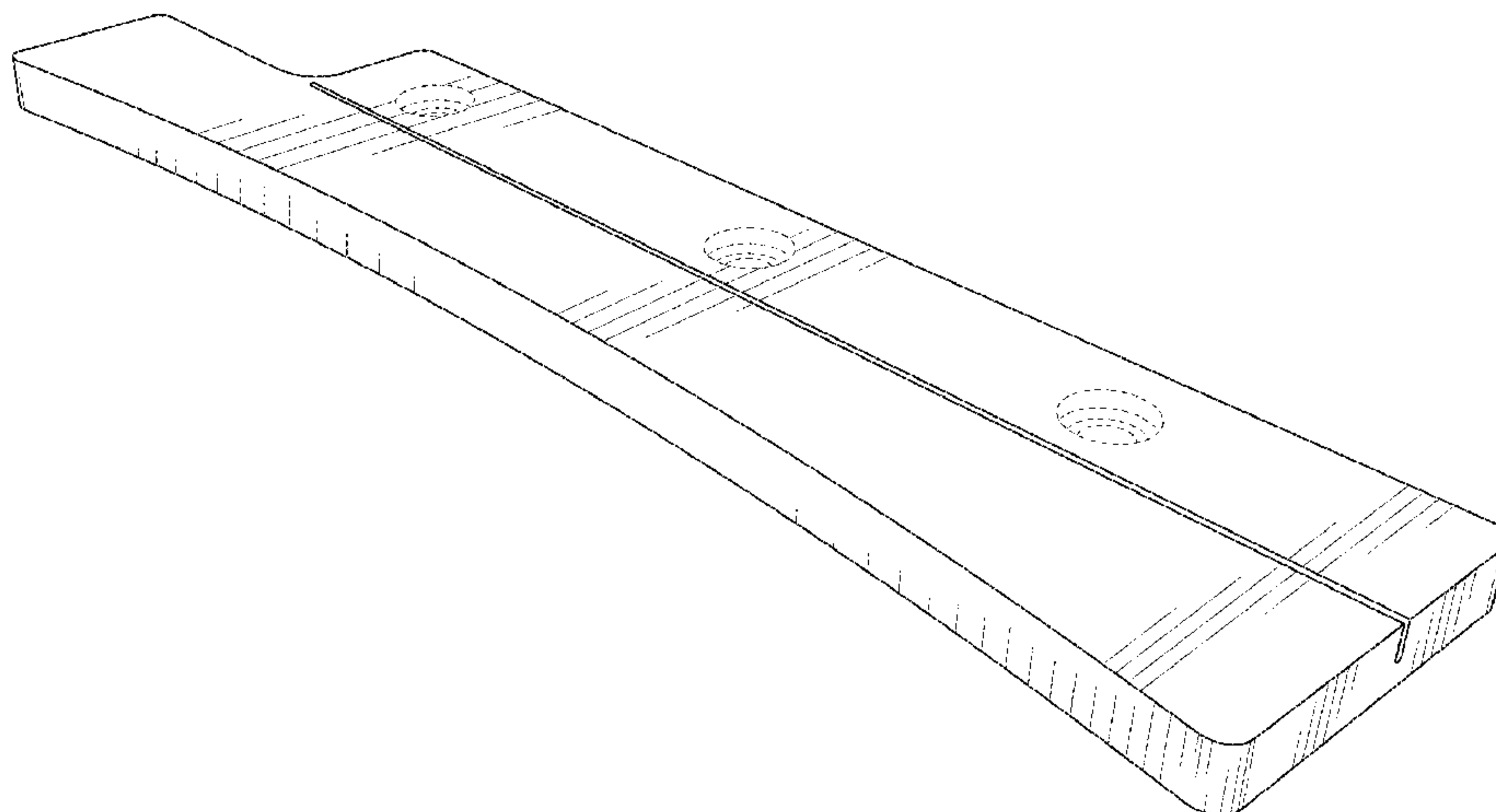
The ornamental design for a tire scraper, as shown and described.

1,211,098 A * 1/1917 Darrin A47L 13/08
15/236.05
1,771,642 A 7/1930 Larson et al.
1,790,006 A 1/1931 Garrett
1,872,120 A 8/1932 Caskey
2,151,256 A 3/1939 Wolf
3,046,670 A * 7/1962 Wydra G01B 3/14
33/555.1
3,080,593 A * 3/1963 Wilson D06F 41/00
15/105
D293,072 S * 12/1987 Cook D7/688
4,830,439 A 5/1989 Collins et al.
D304,420 S * 11/1989 Alexander D19/110
D332,901 S * 2/1993 Campbell D8/45
5,437,074 A * 8/1995 White A47L 13/02
15/105

DESCRIPTION

FIG. 1 is a perspective view of a tire scraper showing our new design;
FIG. 2 is a bottom view thereof;
FIG. 3 is a top view thereof;
FIG. 4 is a left side view thereof;
FIG. 5 is a right side view thereof;
FIG. 6 is a front view thereof; and,
FIG. 7 is a rear view thereof.
The broken lines illustrate structure or features which form no part of the claimed design.

1 Claim, 3 Drawing Sheets



(56)

References Cited

U.S. PATENT DOCUMENTS

D620,659 S * 7/2010 Christie D32/46
D623,371 S * 9/2010 Li D32/40
D689,545 S * 9/2013 Present D19/110
D708,806 S * 7/2014 Nagoya D32/40
8,960,725 B2 2/2015 Rund et al.
D798,120 S * 9/2017 Giorgi D8/16
D798,518 S * 9/2017 Holschbach D32/46
D799,771 S * 10/2017 Toll D32/46
D802,238 S * 11/2017 McBrady D32/43
2013/0115001 A1 5/2013 Von Vett
2015/0353143 A1 12/2015 Bojan

* cited by examiner

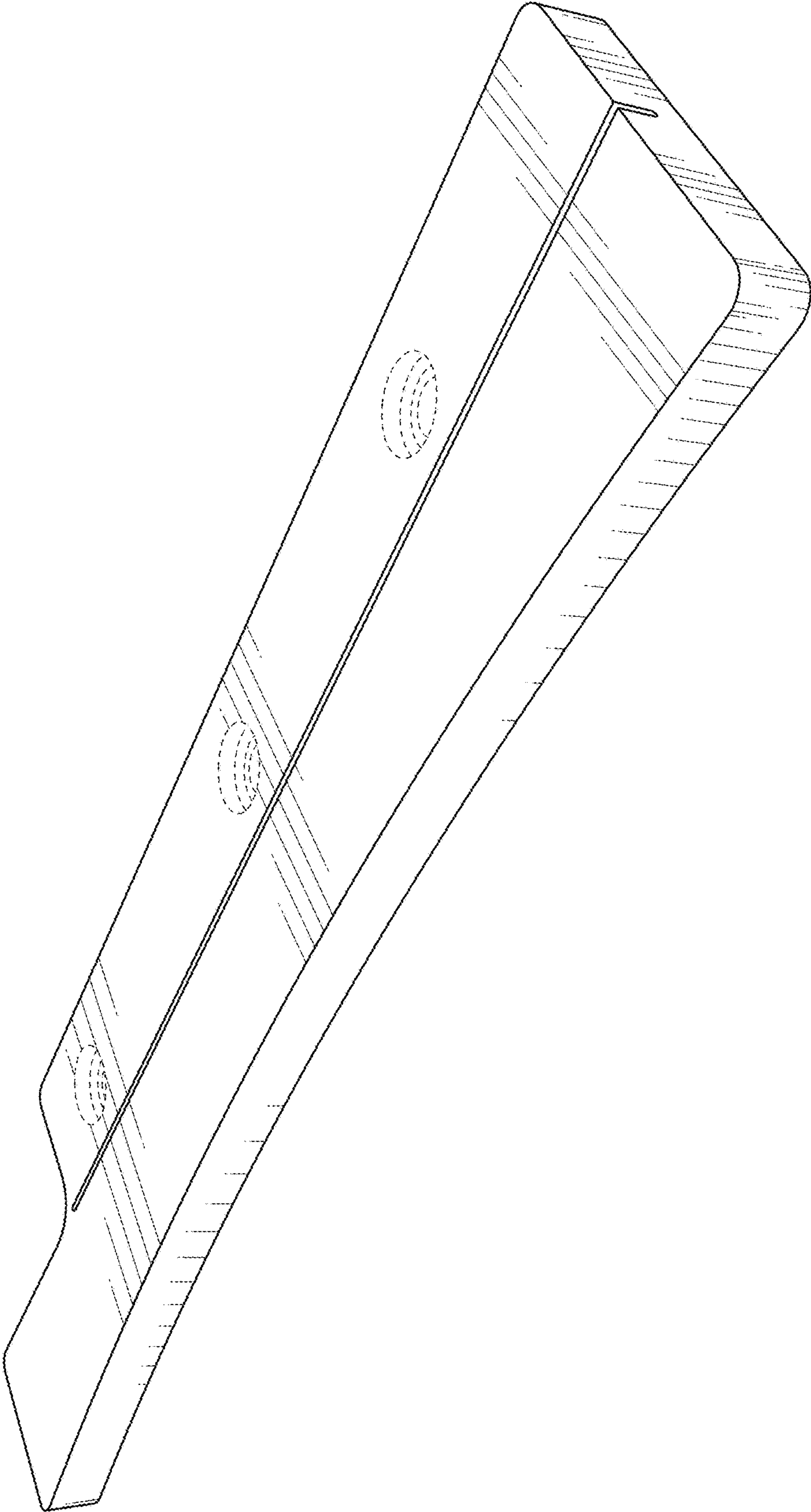


FIG. 1

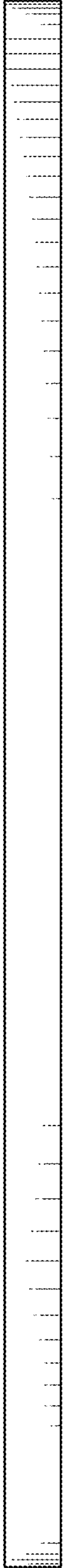


FIG. 2



FIG. 3



FIG. 4

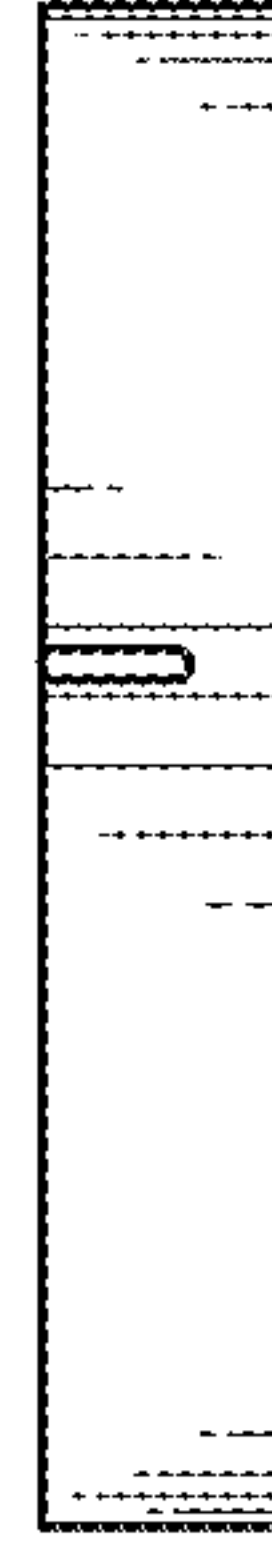


FIG. 5

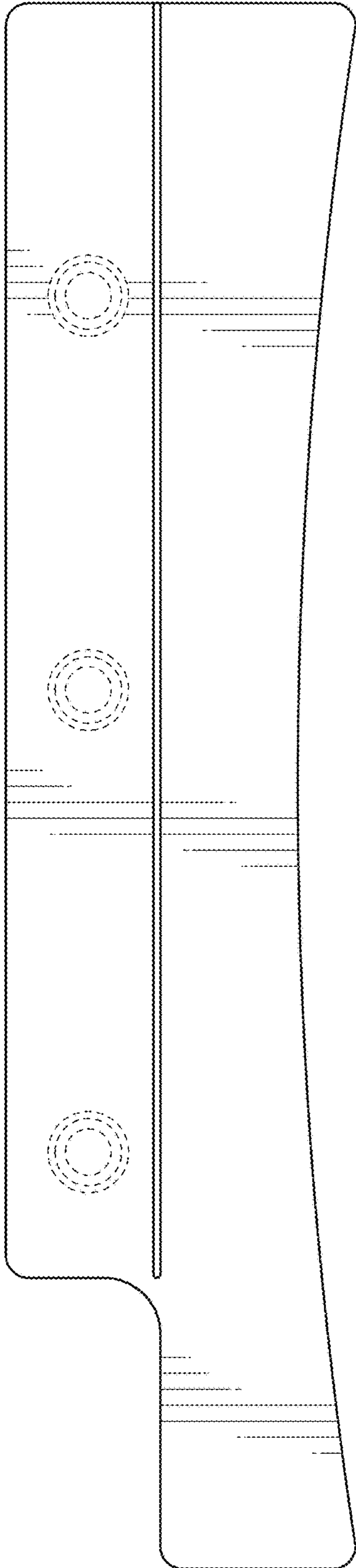


FIG. 6

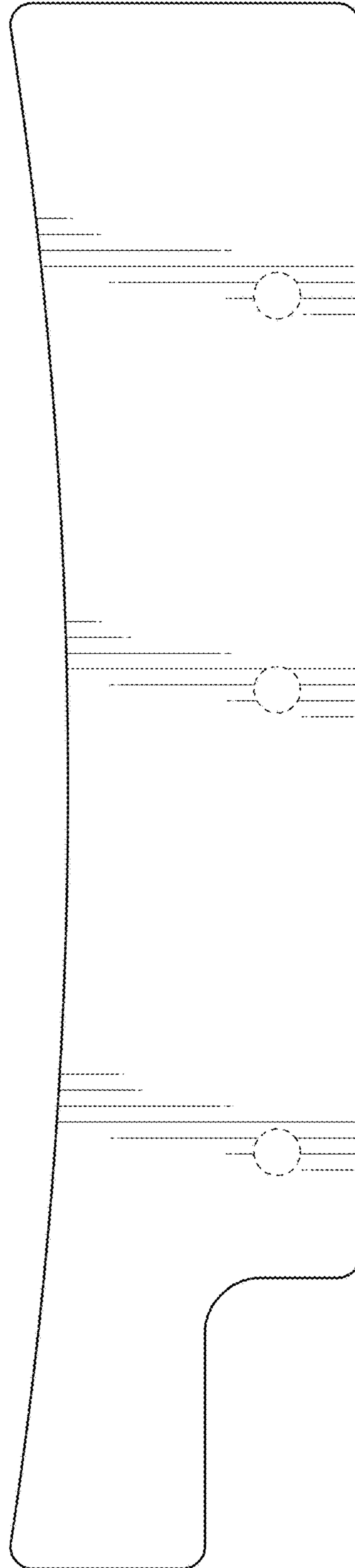


FIG. 7