



US00D818229S

(12) **United States Design Patent** (10) **Patent No.:** **US D818,229 S**
Ha et al. (45) **Date of Patent:** **** May 15, 2018**

(54) **DOSAGE CONTAINER FOR ADDING DETERGENT**

Primary Examiner — Richard E Chilcot
(74) *Attorney, Agent, or Firm* — Birch, Stewart, Kolasch & Birch, LLP

(71) Applicant: **LG ELECTRONICS INC.**, Seoul (KR)

(57) **CLAIM**

The ornamental design for a dosage container for adding detergent, as shown and described.

(72) Inventors: **Youngsoo Ha**, Seoul (KR); **Eunyoung Chee**, Seoul (KR); **Byeongkook Kim**, Seoul (KR); **Jaecil Bae**, Seoul (KR)

DESCRIPTION

(73) Assignee: **LG Electronics Inc.**, Seoul (KR)

1. Dosage container for adding detergent
1.1 is a perspective view of a dosage container for adding detergent showing our new design in a first configuration;
1.2 is a front elevation view thereof;
1.3 is a rear elevation view thereof;
1.4 is a left-side elevation view thereof;
1.5 is a right-side elevation view thereof;
1.6 is a top plan view thereof;
1.7 is a bottom plan view thereof;
1.8 is a longitudinal cross-sectional view thereof shown in 1.6;
1.9 is a perspective view of the dosage container for adding detergent in a second configuration;
1.10 is a front elevation view thereof;
1.11 is a rear elevation view thereof;
1.12 is a left-side elevation view thereof;
1.13 is a right-side elevation view thereof;
1.14 is a top plan view thereof;
1.15 is a bottom plan view thereof;
1.16 is a longitudinal cross-sectional view thereof shown in 1.14;
1.17 is a perspective view of the dosage container for adding detergent in a third configuration;
1.18 is a front elevation view thereof;
1.19 is a rear elevation view thereof;
1.20 is a left-side elevation view thereof;
1.21 is a right-side elevation view thereof;
1.22 is a top plan view thereof;
1.23 is a bottom plan view thereof; and
1.24 is a longitudinal cross-sectional view thereof shown in 1.22.

(**) Term: **15 Years**

(21) Appl. No.: **35/502,045**

(22) Filed: **Jun. 3, 2016**

(80) **Hague Agreement Data**

Int. Filing Date: **Jun. 3, 2016**
Int. Reg. No.: **DM/092030**
Int. Reg. Date: **Jun. 3, 2016**
Int. Reg. Pub. Date: **Dec. 9, 2016**

(30) **Foreign Application Priority Data**

Dec. 3, 2015 (KR) 30-2015-0061615

(51) **LOC (11) Cl.** **15-05**

(52) **U.S. Cl.**
USPC **D32/29.1; D10/46.2**

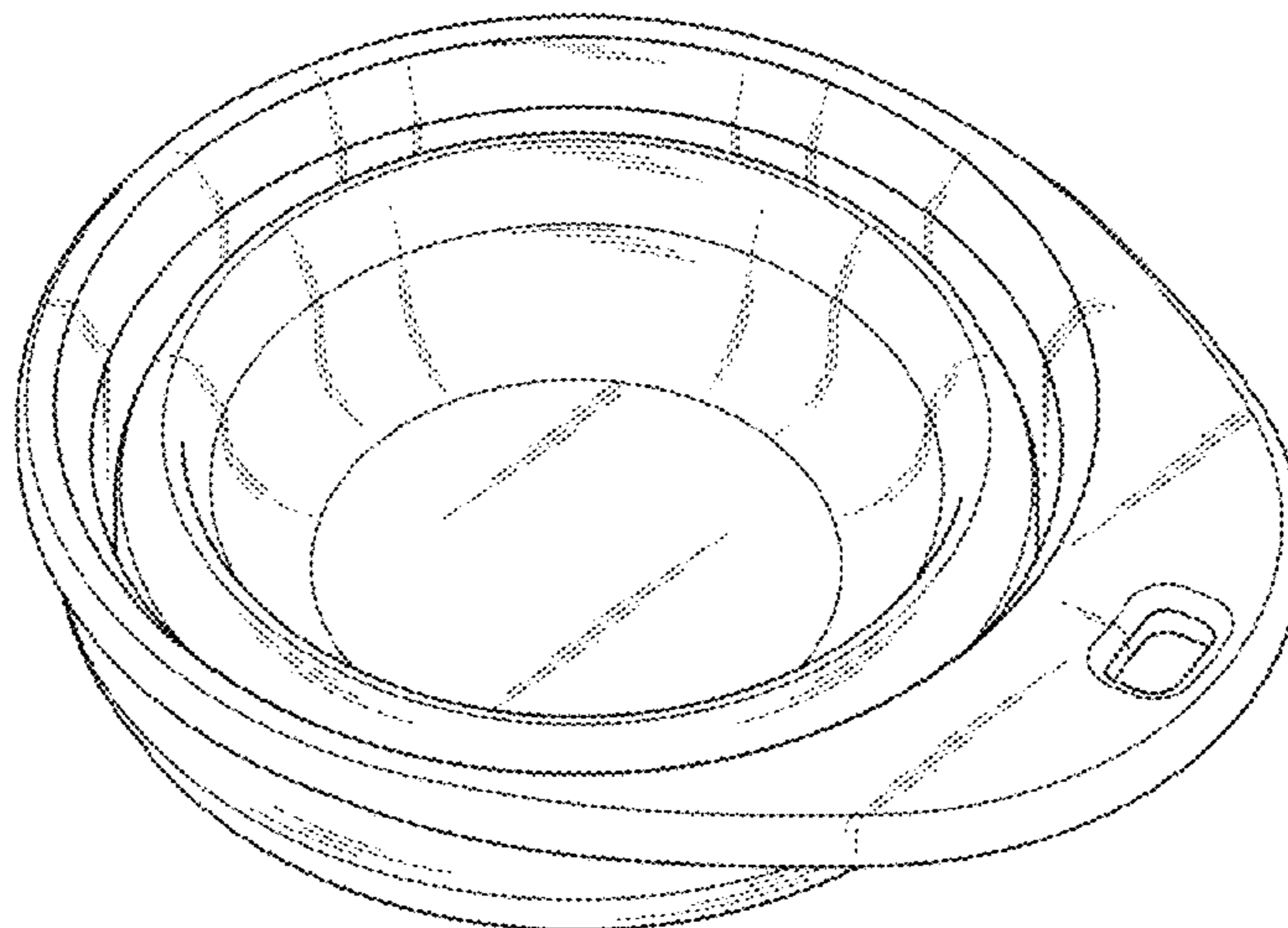
(58) **Field of Classification Search**
USPC D7/300–303, 316, 387, 397, 510, 317, D7/554; D9/439, 440, 447, 452–454;
(Continued)

(56) **References Cited**

U.S. PATENT DOCUMENTS

D258,872 S * 4/1981 Kimura D10/71
D260,220 S * 8/1981 Caffee D32/35
(Continued)

1 Claim, 24 Drawing Sheets



US D818,229 S

Page 2

- (52) **U.S. Cl.**
CPC *G01F 19/00* (2013.01)
- (58) **Field of Classification Search**
USPC D10/46.2, 46, 46.3, 52, 60, 66, 101, 103;
D32/1, 3, 6, 25, 29.1, 35; 68/12.18,
68/13 R, 17 R, 207
CPC G01F 19/002; G01F 19/00; B65D 21/00;
A47G 19/00; A61J 7/00
See application file for complete search history.

(56) **References Cited**

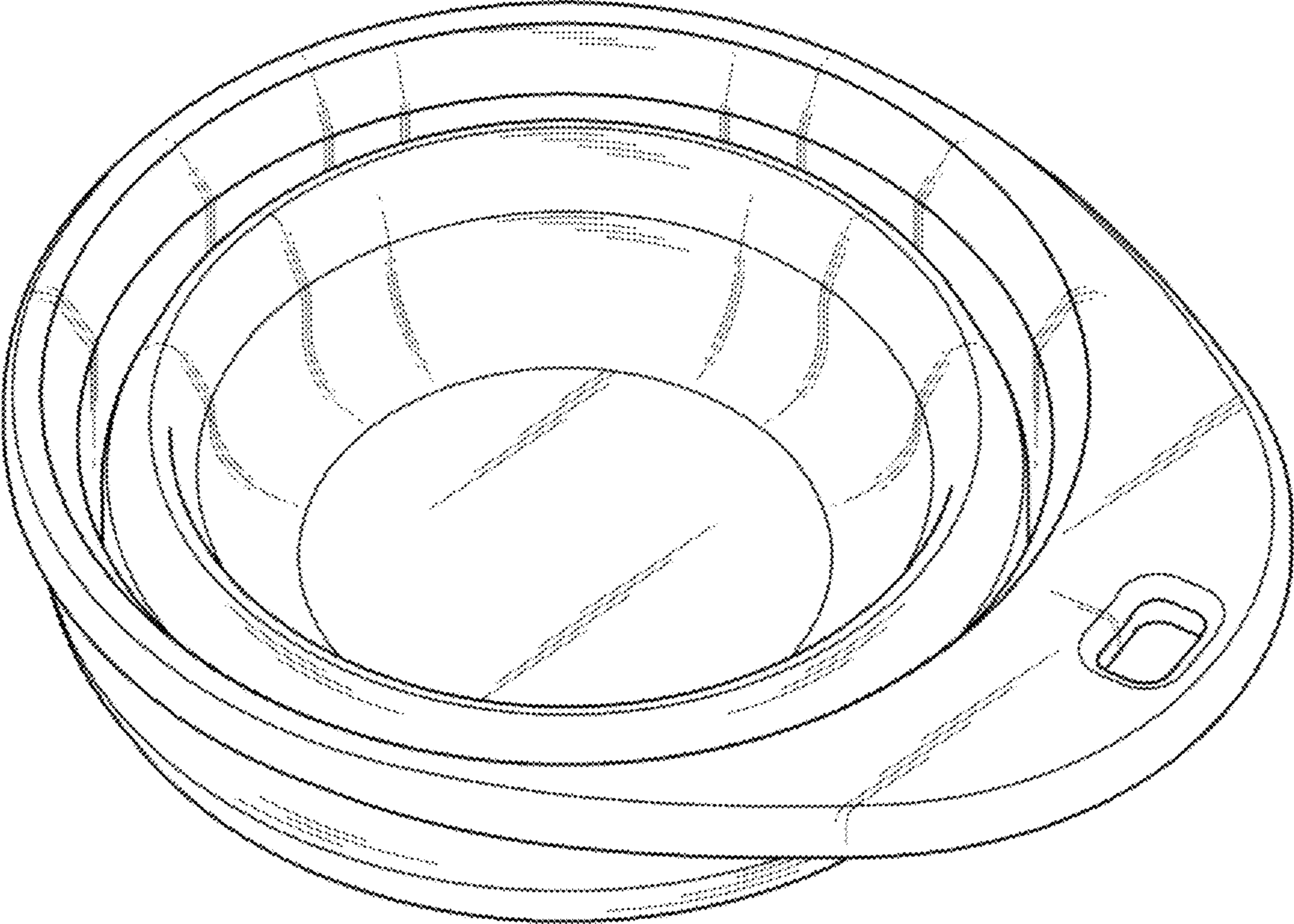
U.S. PATENT DOCUMENTS

D306,224 S * 2/1990 Nystuen D32/3
D319,781 S * 9/1991 Halm D23/366
D322,558 S * 12/1991 Halm D23/366
5,439,128 A * 8/1995 Fishman A45F 3/20
206/218

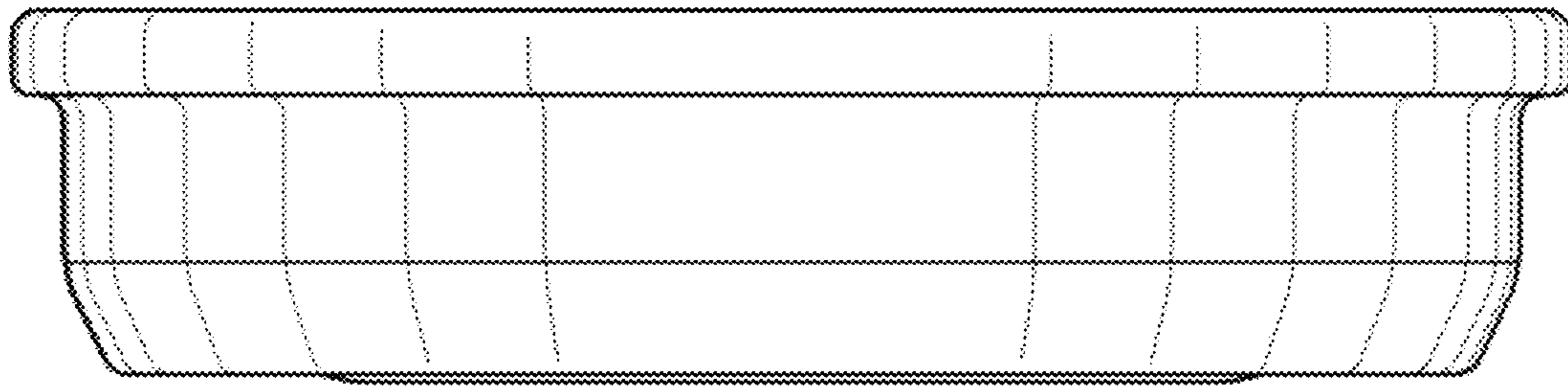
5,579,656 A * 12/1996 Shin D06F 39/02
137/268
6,773,668 B1 * 8/2004 Everson A47L 15/4436
134/26
D532,167 S * 11/2006 Jung D32/25
D580,799 S * 11/2008 Curtin D10/46.2
D584,967 S * 1/2009 Shamoon D10/46.2
D588,947 S * 3/2009 Curtin D10/46.2
D624,444 S * 9/2010 Fenner D10/46.2
D645,705 S * 9/2011 Shamoon D7/543
D657,922 S * 4/2012 Wolke D32/25
D665,541 S * 8/2012 Shamoon D30/121
D682,619 S * 5/2013 Lee D7/543
D731,260 S * 6/2015 Cotter D7/667
9,044,082 B2 * 6/2015 Kusuma A45F 3/20
D743,279 S * 11/2015 Schwartz D10/46.2
D746,640 S * 1/2016 Myoung D7/527
2005/0127073 A1 * 6/2005 Kusuma B65D 21/086
220/6

* cited by examiner

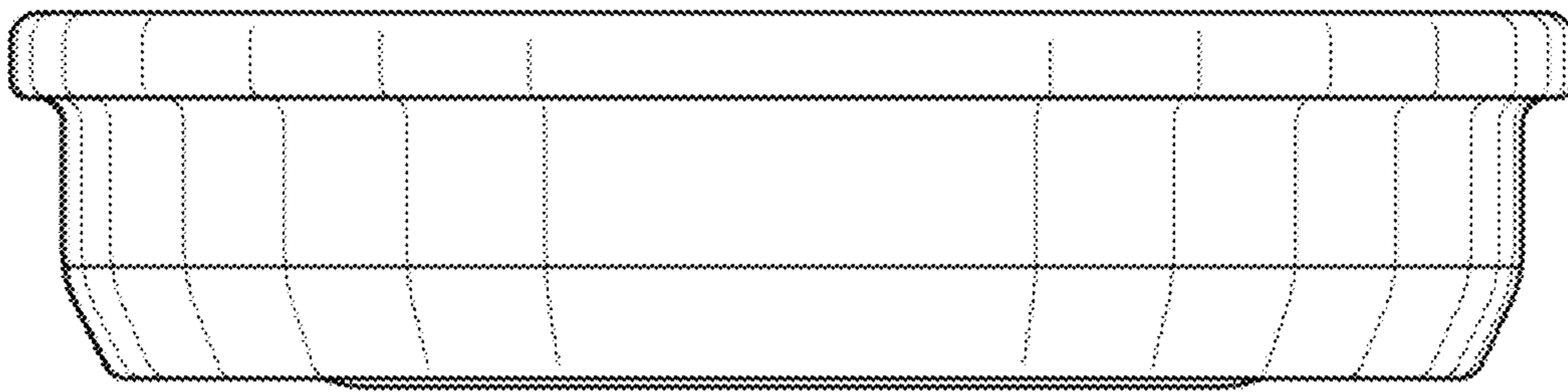
1.1



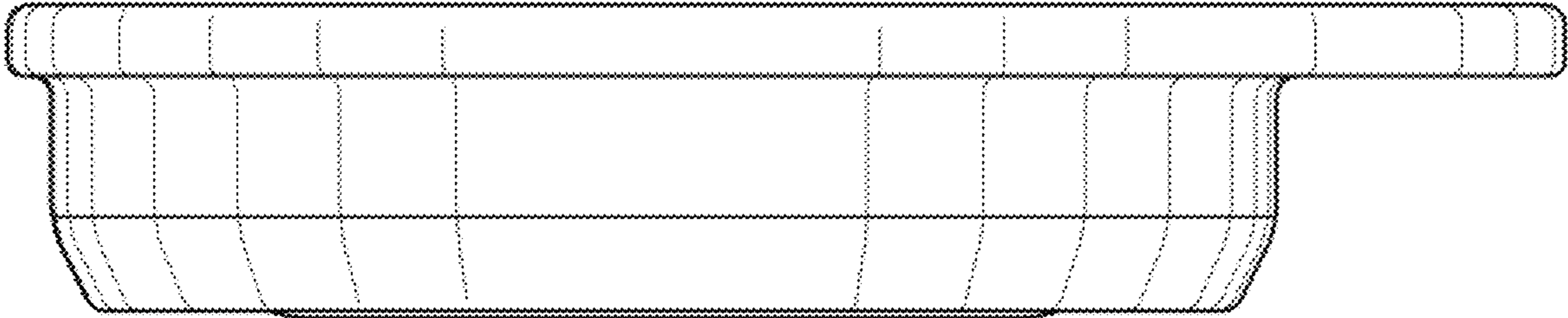
1.2



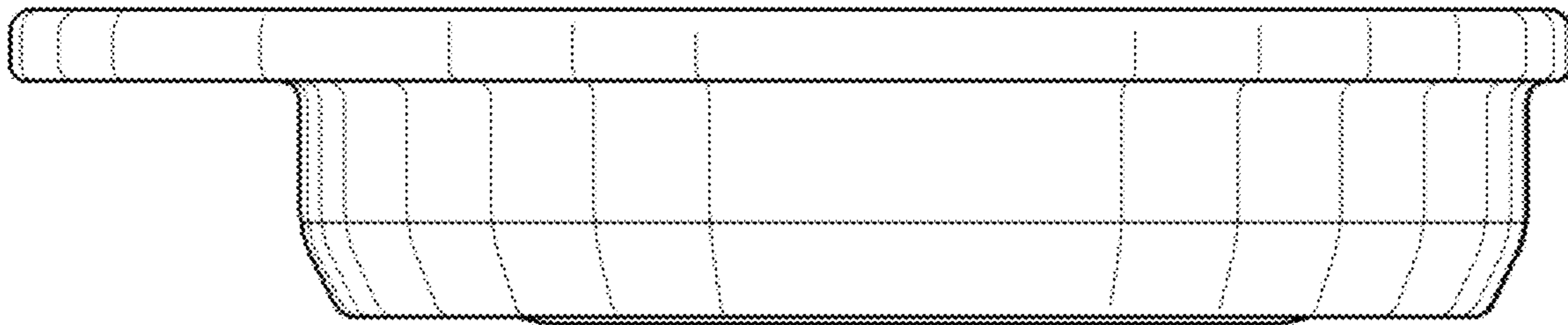
1.3



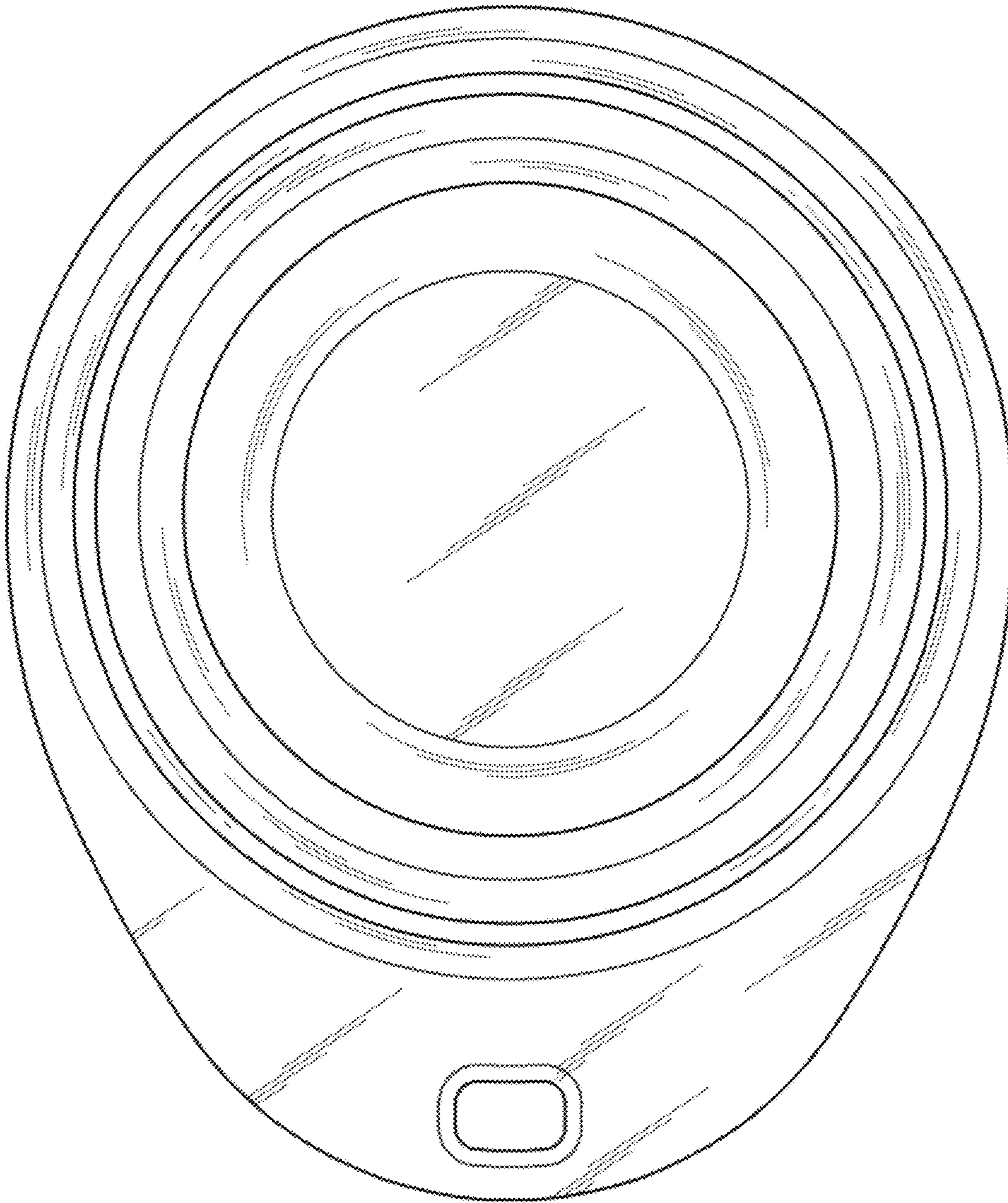
1.4



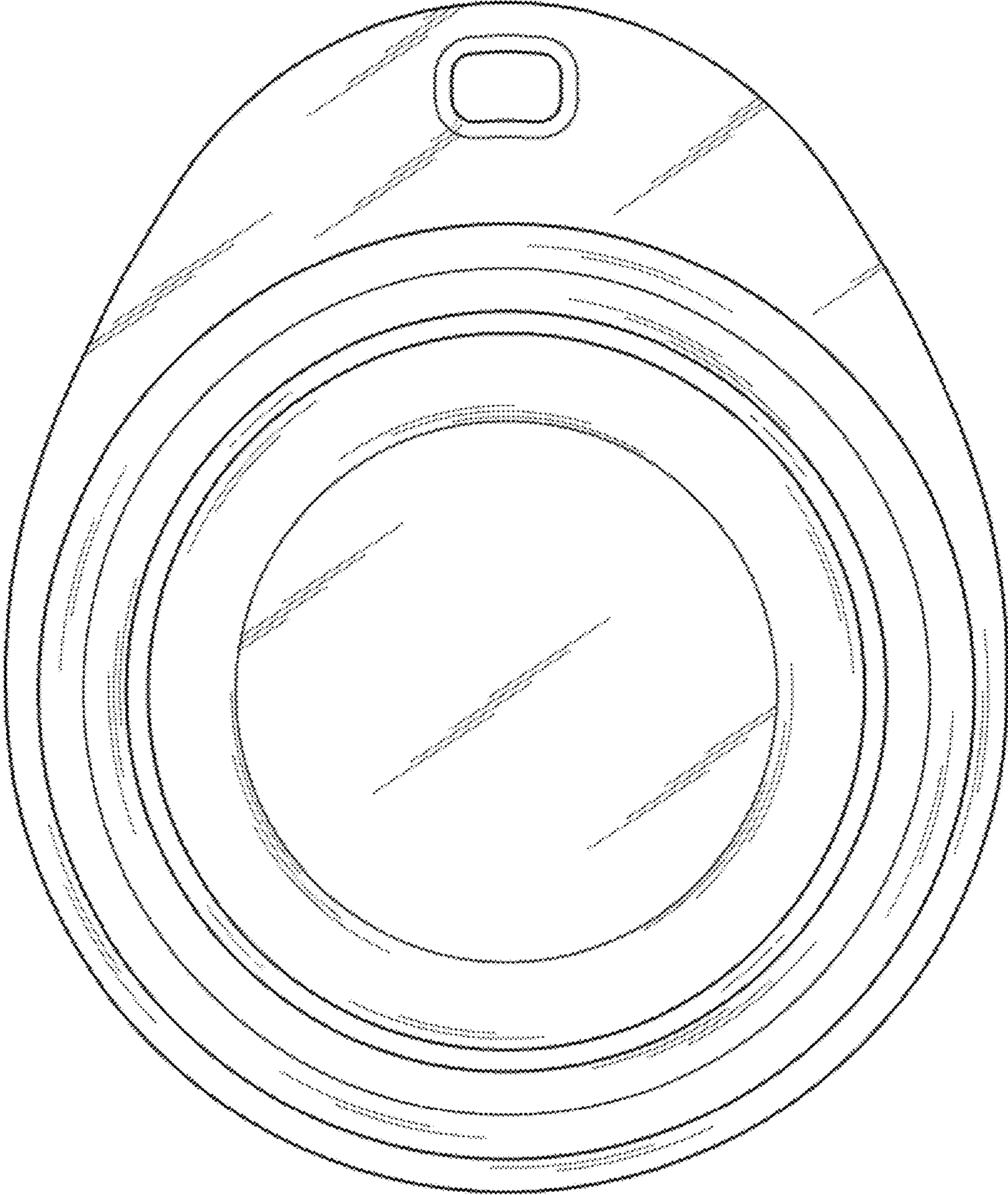
1.5



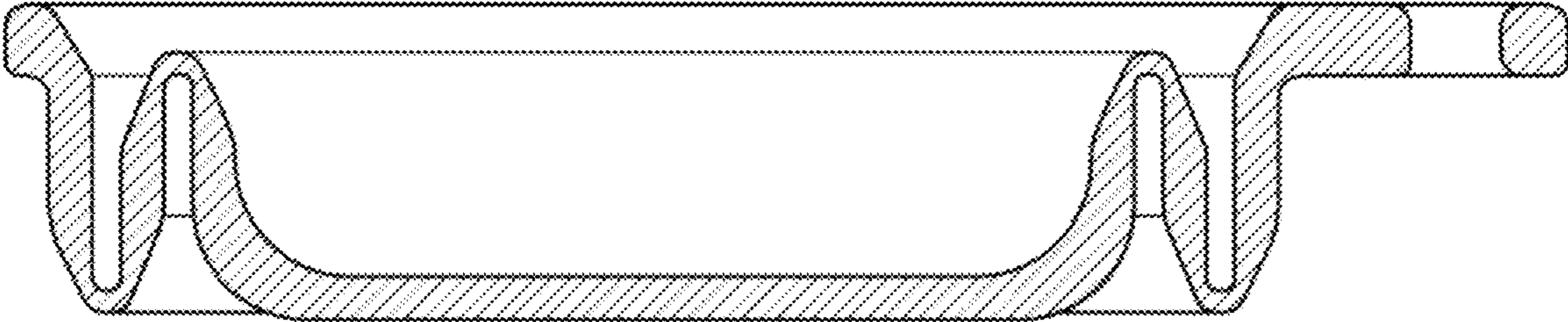
1.6



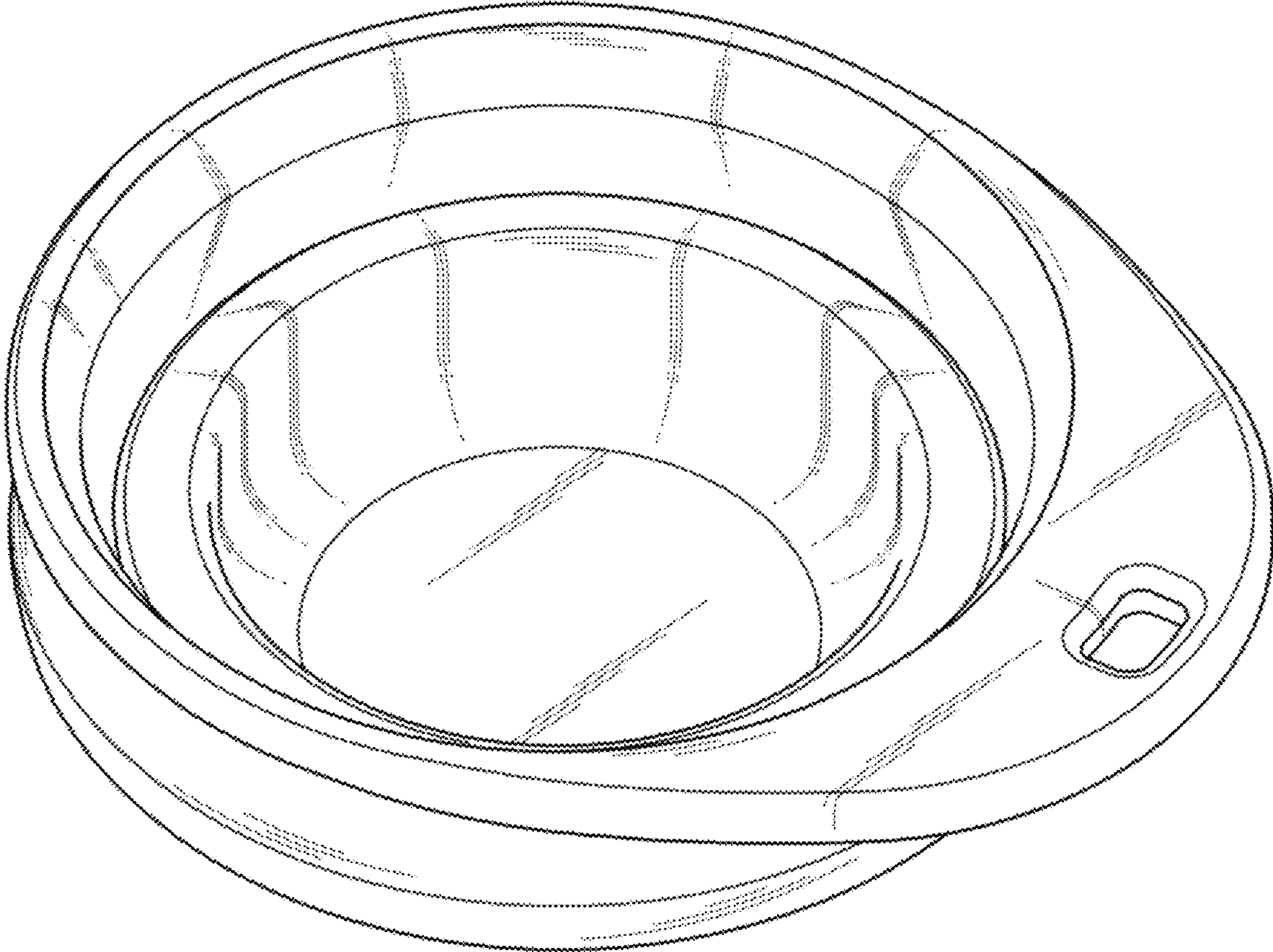
1.7



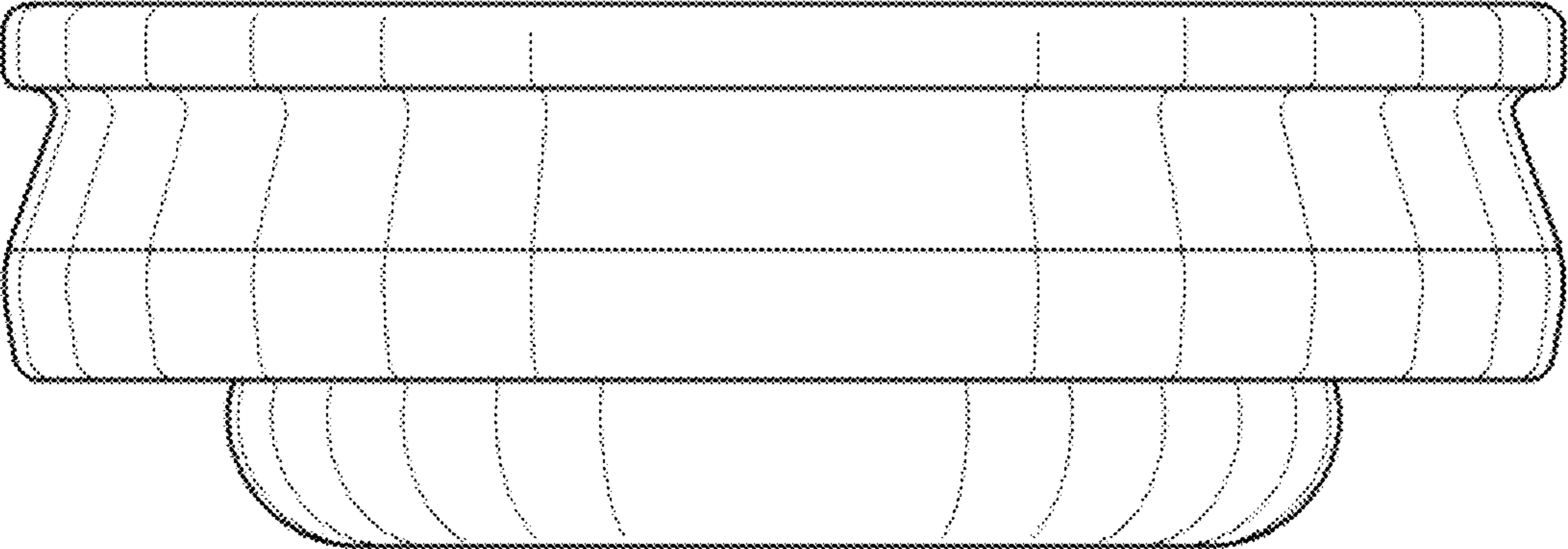
1.8



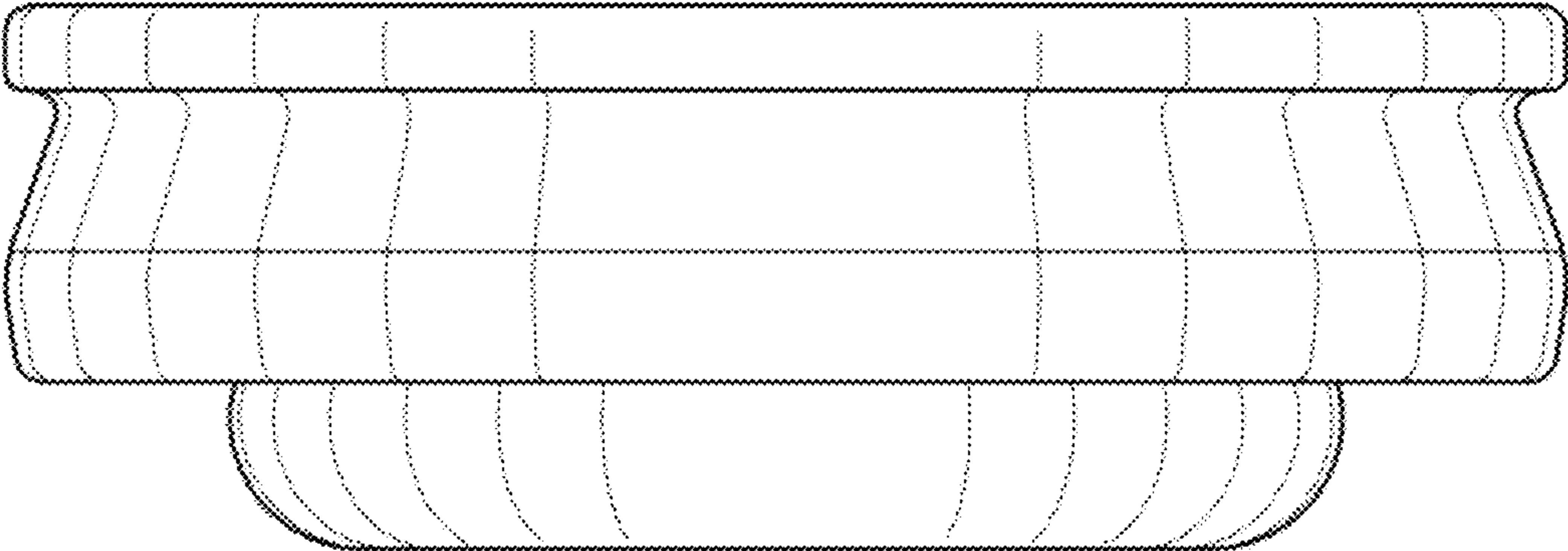
1.9



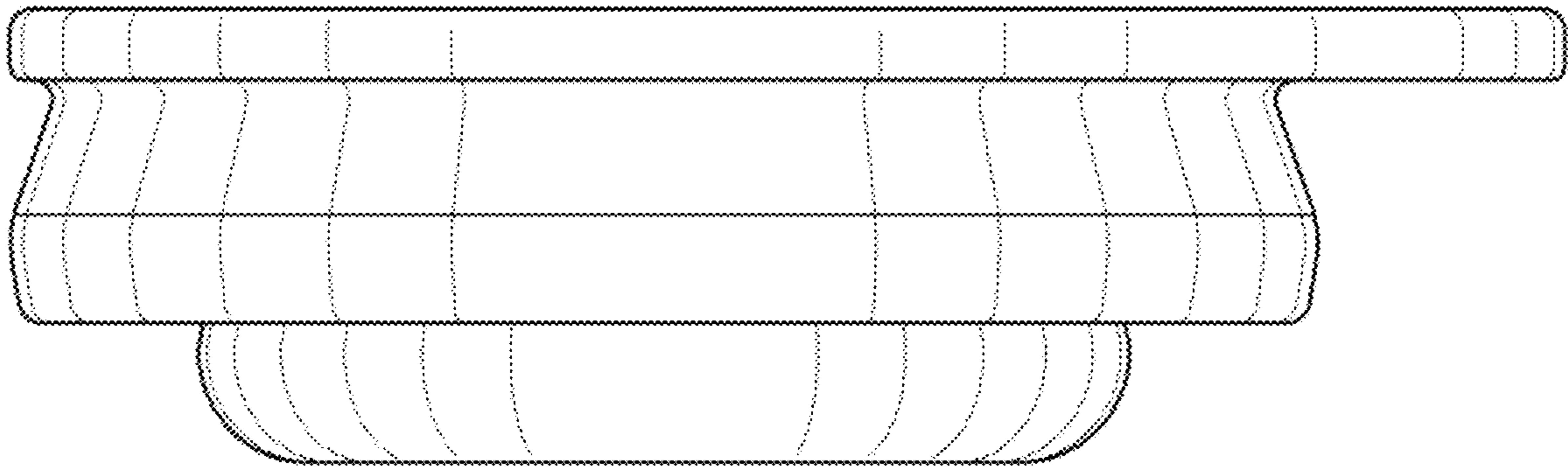
1.10



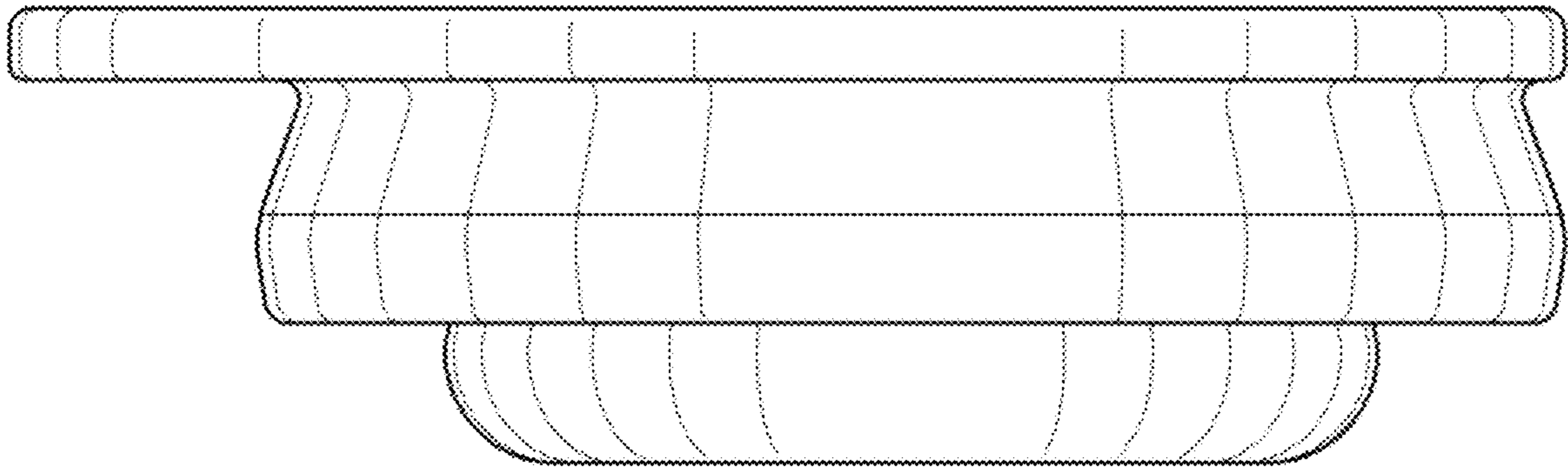
1.11



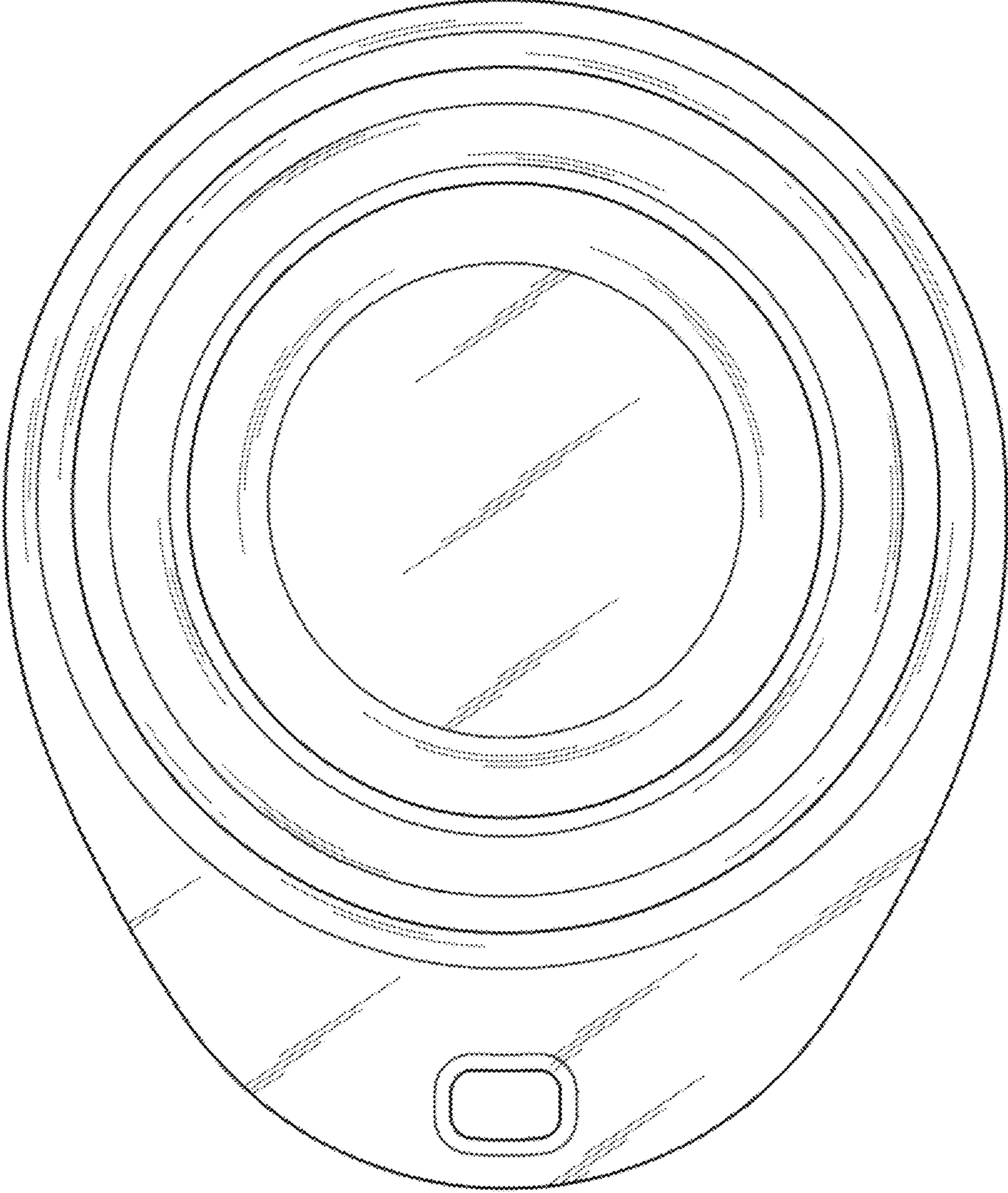
1.12



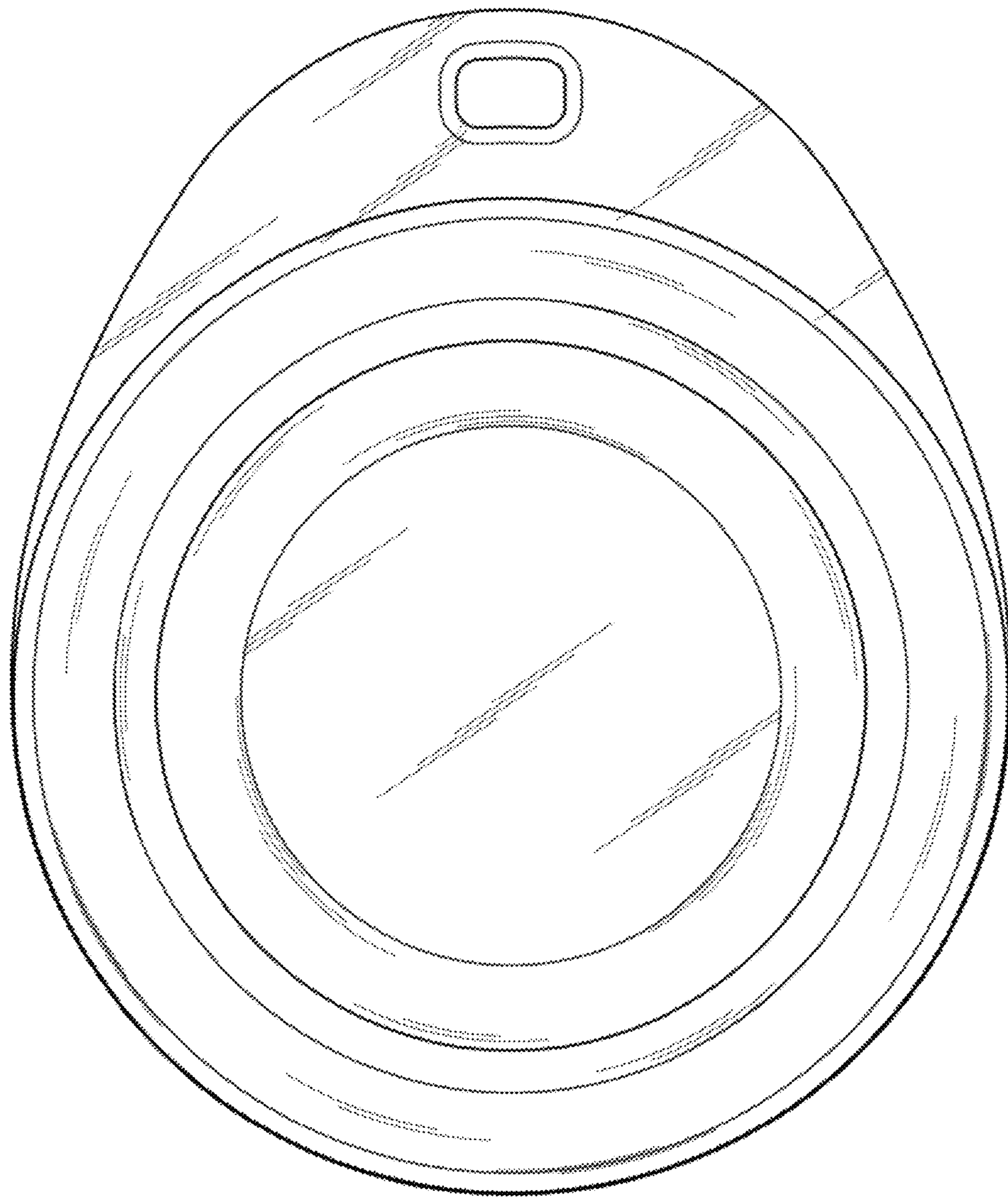
1.13



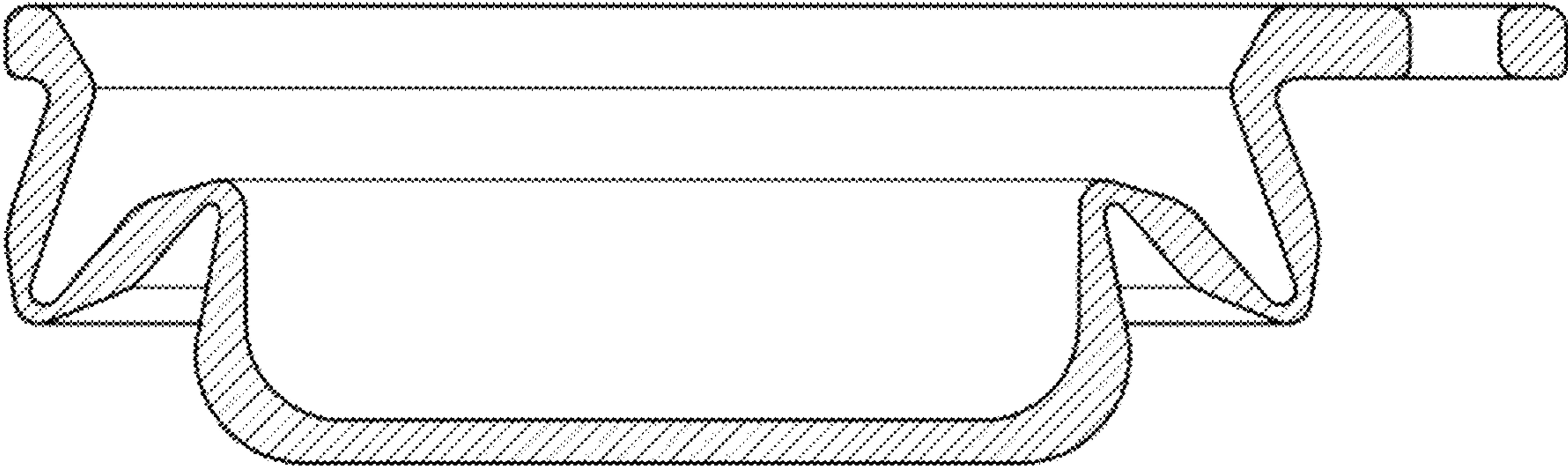
1.14



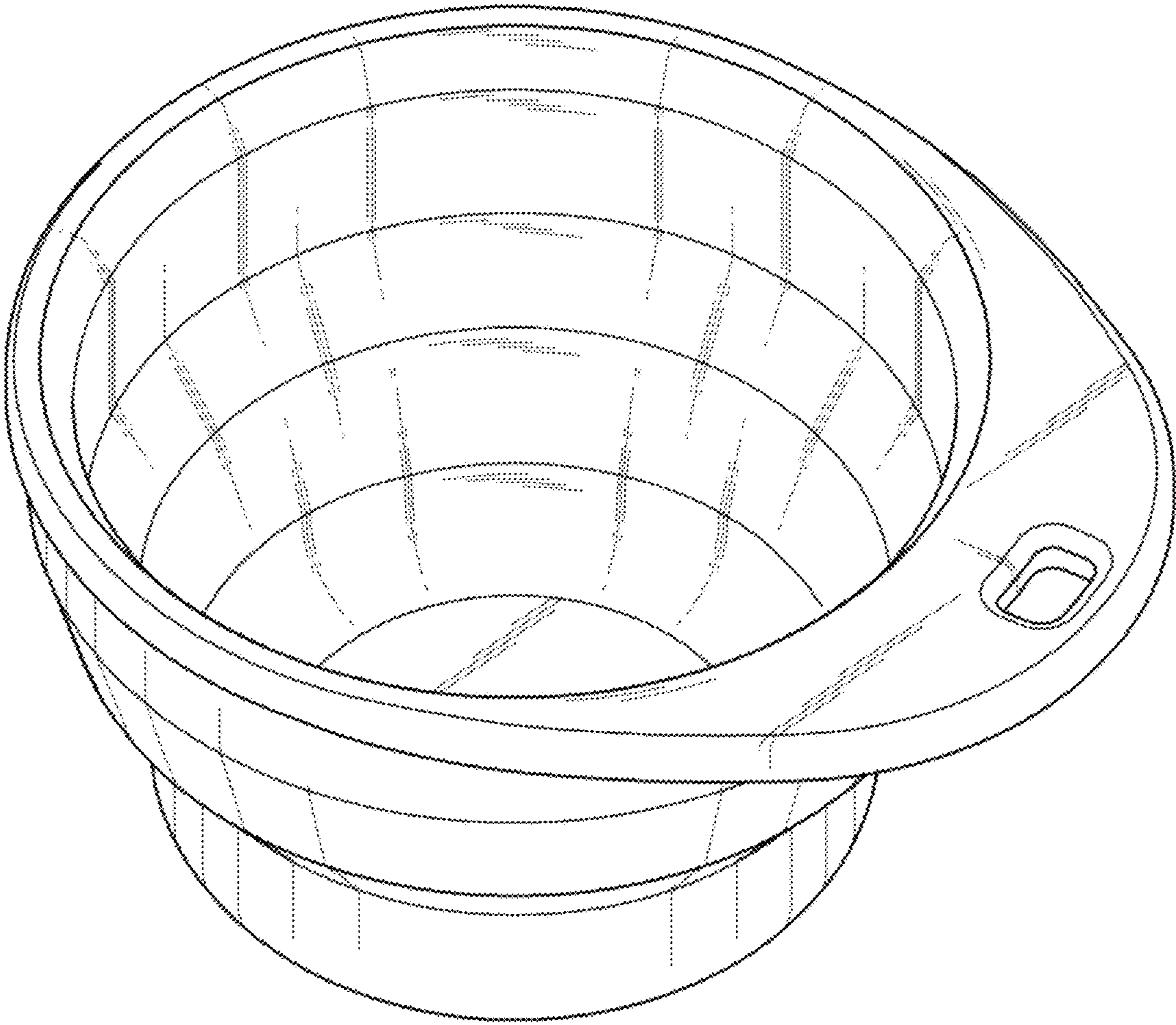
1.15



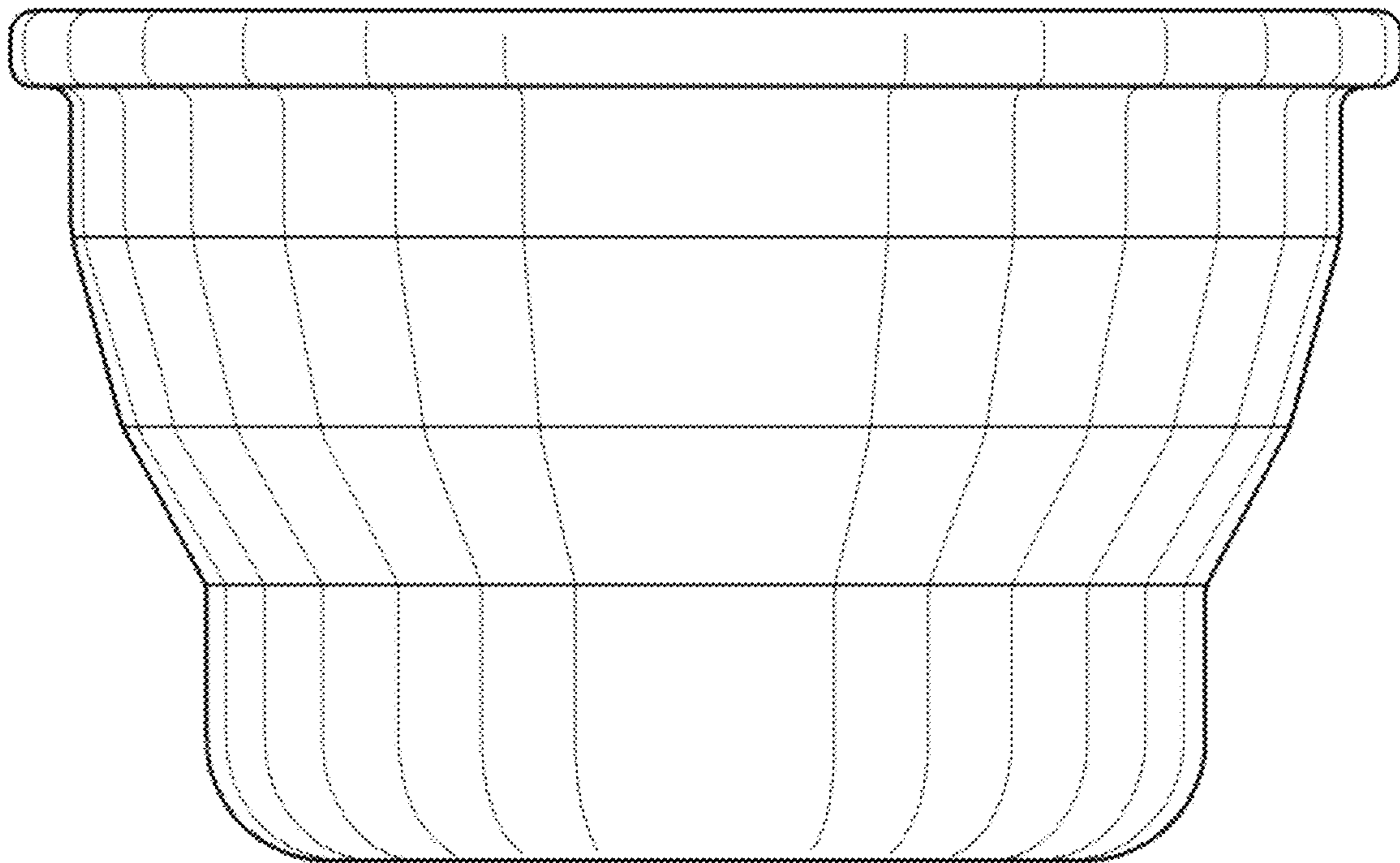
1.16



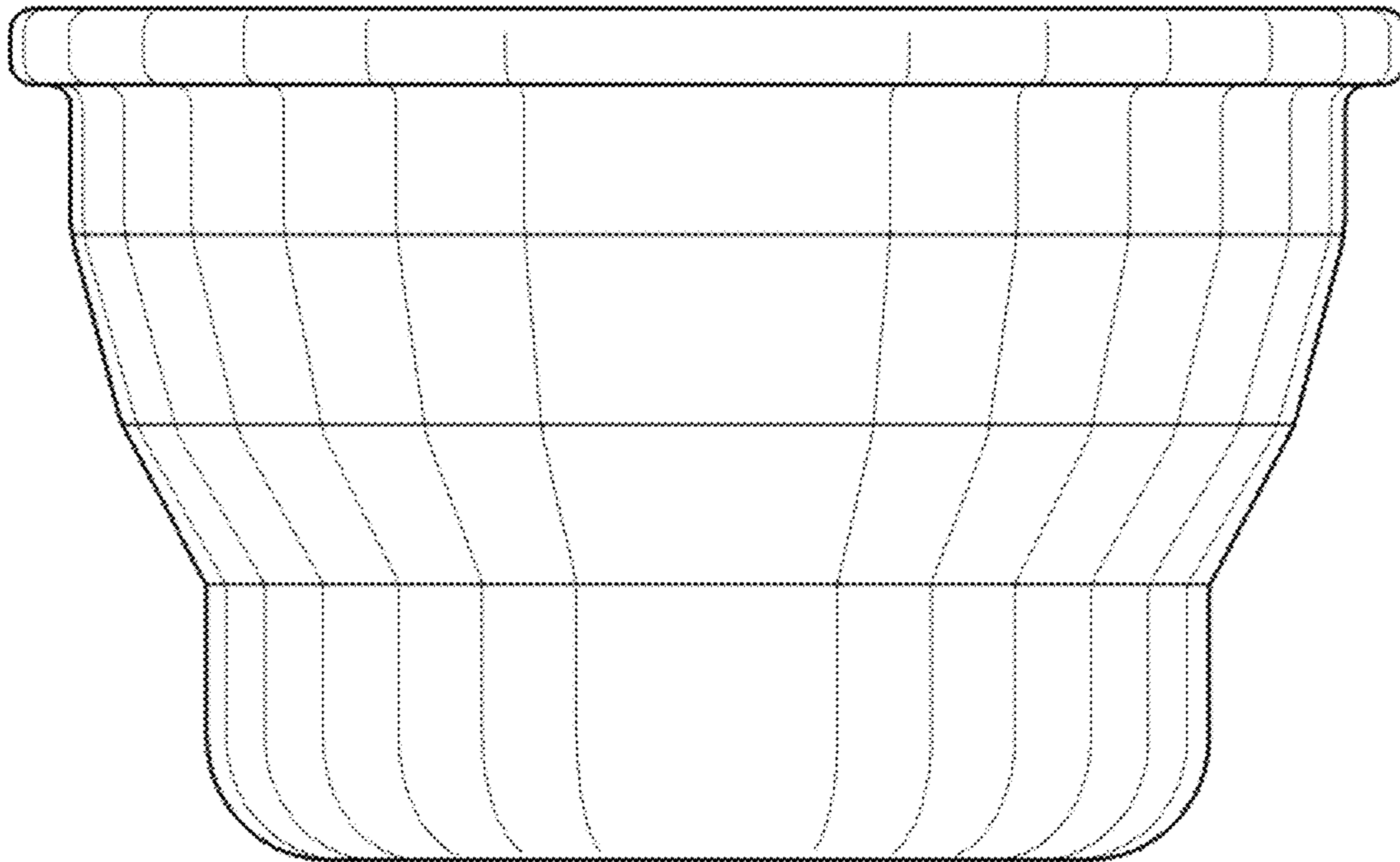
1.17



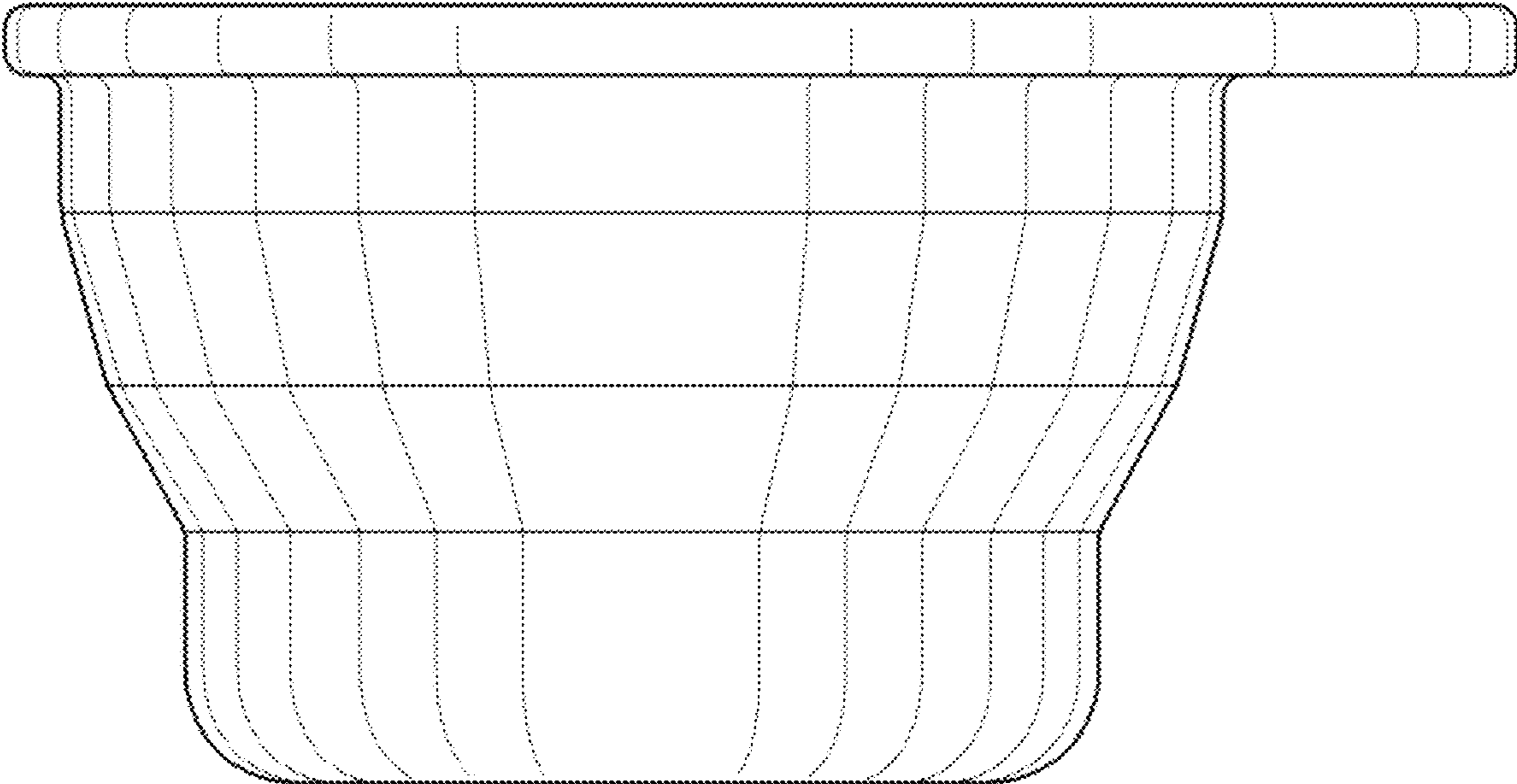
1.18



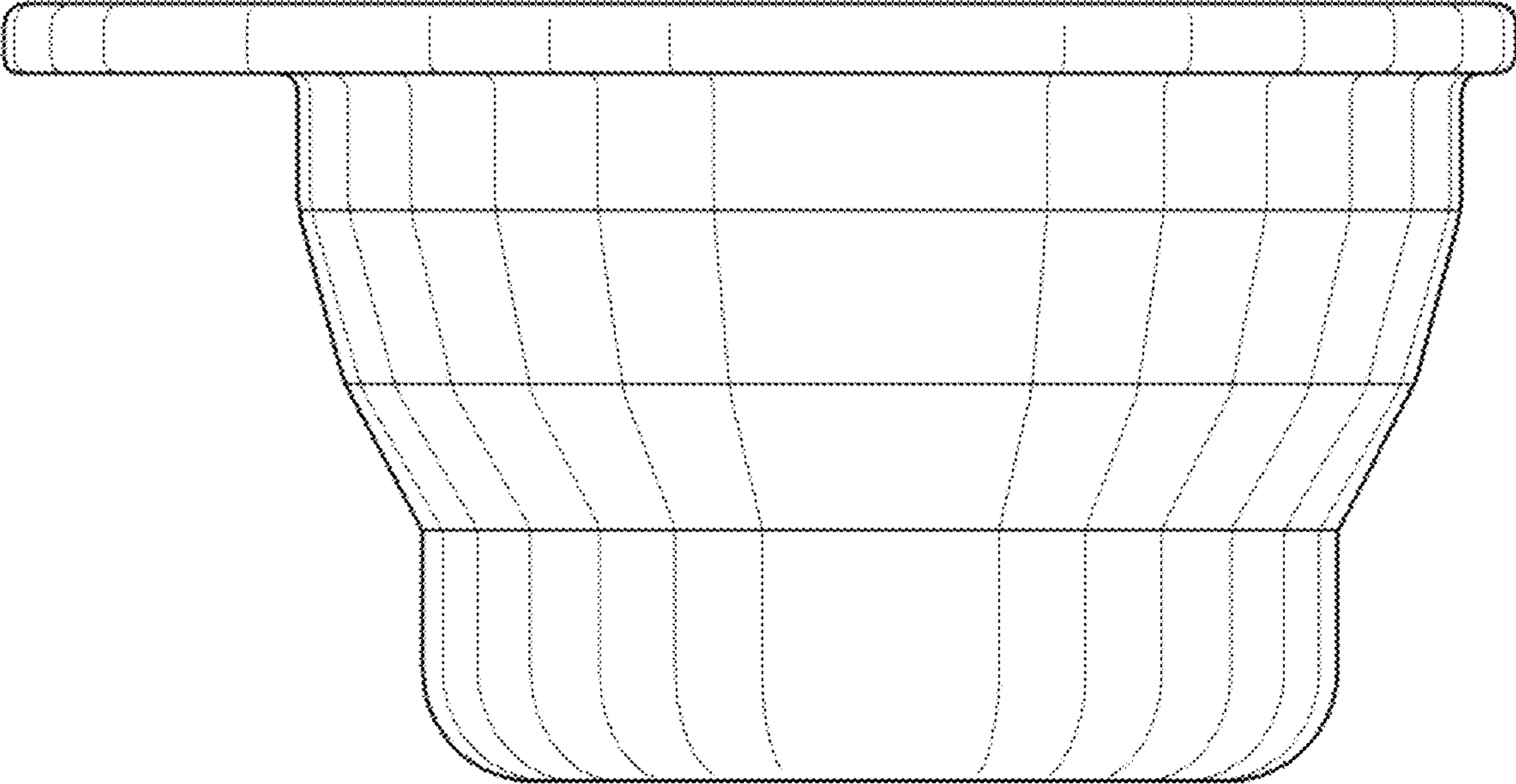
1.19



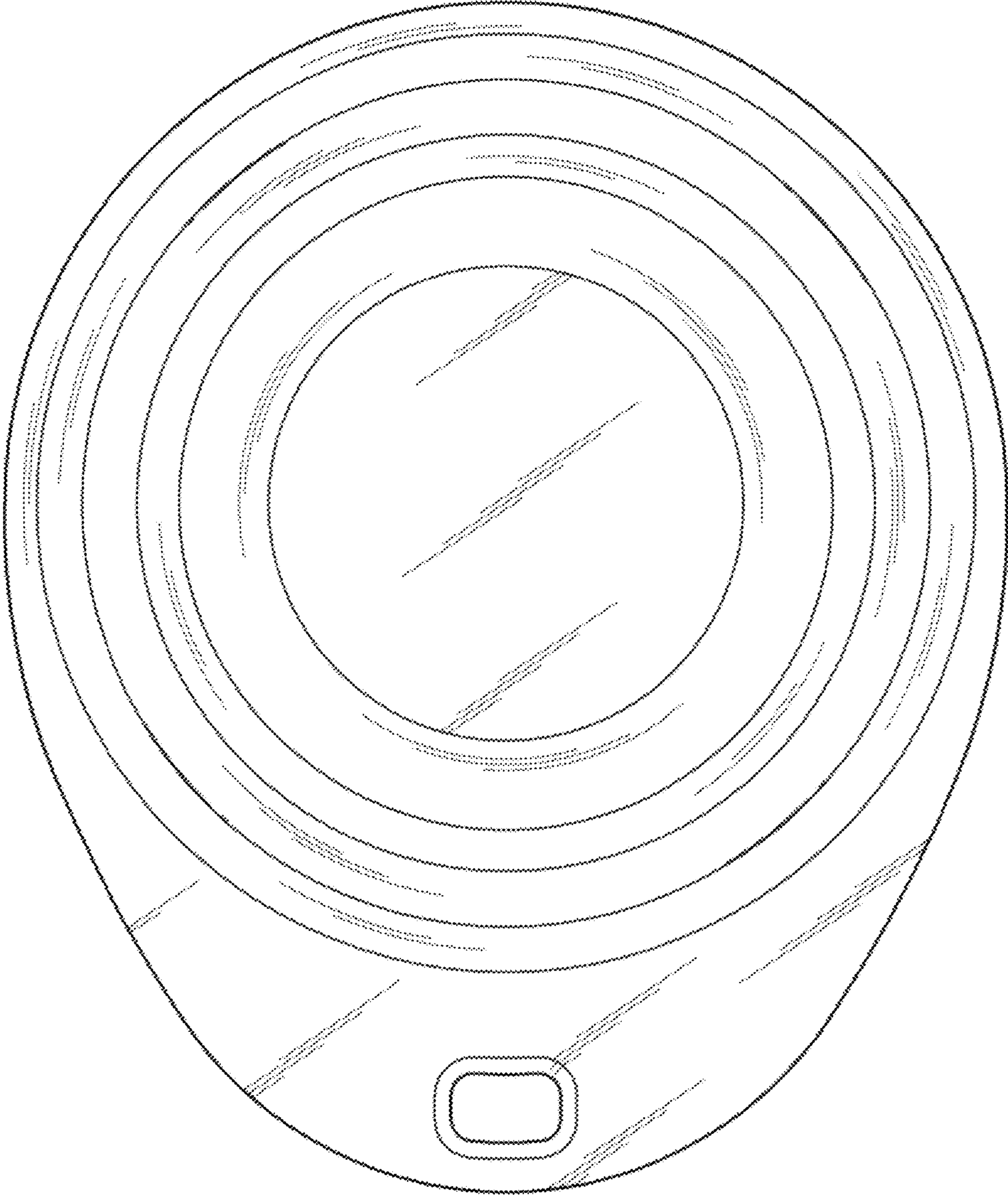
1.20



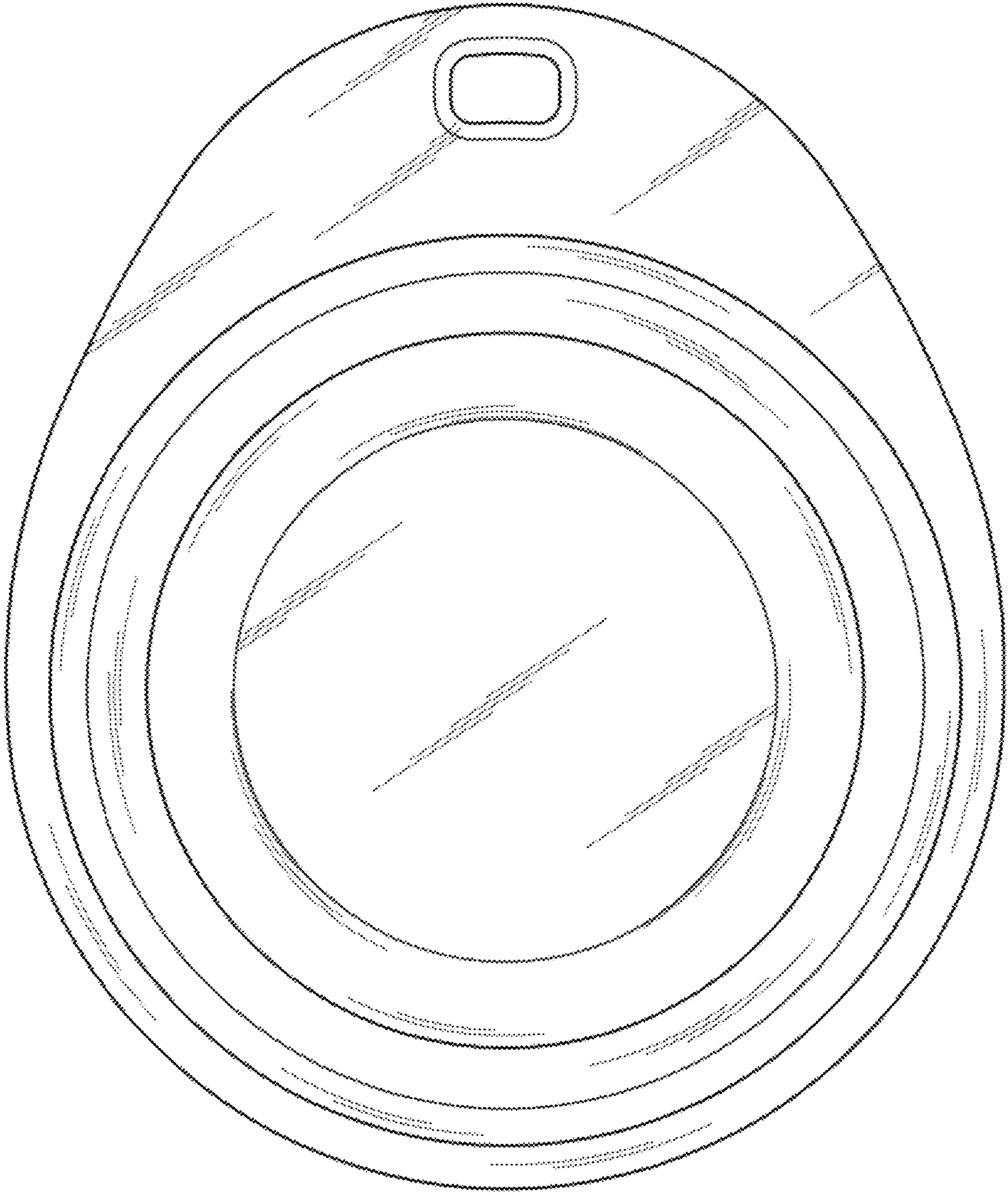
1.21



1.22



1.23



1.24

