



US00D818228S

(12) **United States Design Patent** (10) **Patent No.:** **US D818,228 S**
Nam et al. (45) **Date of Patent:** **** May 15, 2018**

(54) **DUST CONTAINER FOR VACUUM CLEANER**

(56) **References Cited**

U.S. PATENT DOCUMENTS

(71) Applicant: **LG ELECTRONICS INC.**, Seoul (KR)

(72) Inventors: **Bohyun Nam**, Seoul (KR); **Sojin Park**, Seoul (KR); **Seunghyun Song**, Seoul (KR); **Jinju Kim**, Seoul (KR); **Jungkyu Son**, Seoul (KR); **Jaeyong Park**, Seoul (KR); **Sehwan Bae**, Seoul (KR)

(73) Assignee: **LG Electronics Inc.**, Seoul (KR)

(**) Term: **15 Years**

D494,719 S *	8/2004	Rosenzweig	D32/31
D532,944 S *	11/2006	Choi	D32/22
D609,418 S *	2/2010	Santiago	D32/31
D662,271 S *	6/2012	Conrad	D32/31
D685,961 S *	7/2013	Bilger	D32/31
D686,790 S *	7/2013	Santiago	D32/31
D687,196 S *	7/2013	Raven	D32/31
D693,975 S *	11/2013	Santiago	D32/31
D730,000 S *	5/2015	Cheon	D32/22
D730,001 S *	5/2015	Yun	D32/22
D735,426 S *	7/2015	Yun	D32/22
D773,135 S *	11/2016	Zhou	D32/31
D792,037 S *	7/2017	Yin	D32/17

* cited by examiner

(21) Appl. No.: **35/502,034**

Primary Examiner — Richard E Chilcot

(22) Filed: **Jun. 3, 2016**

(74) *Attorney, Agent, or Firm* — Birch, Stewart, Kolasch & Birch, LLP

(80) **Hague Agreement Data**

Int. Filing Date: **Jun. 3, 2016**
 Int. Reg. No.: **DM/091182**
 Int. Reg. Date: **Jun. 3, 2016**
 Int. Reg. Pub. Date: **Dec. 9, 2016**

(57) **CLAIM**

The ornamental design for a dust container for vacuum cleaner, as shown and described.

(30) **Foreign Application Priority Data**

Dec. 3, 2015 (KR) 30-2015-0061622

(51) **LOC (11) Cl.** **15-05**

(52) **U.S. Cl.**
USPC **D32/22; D32/31**

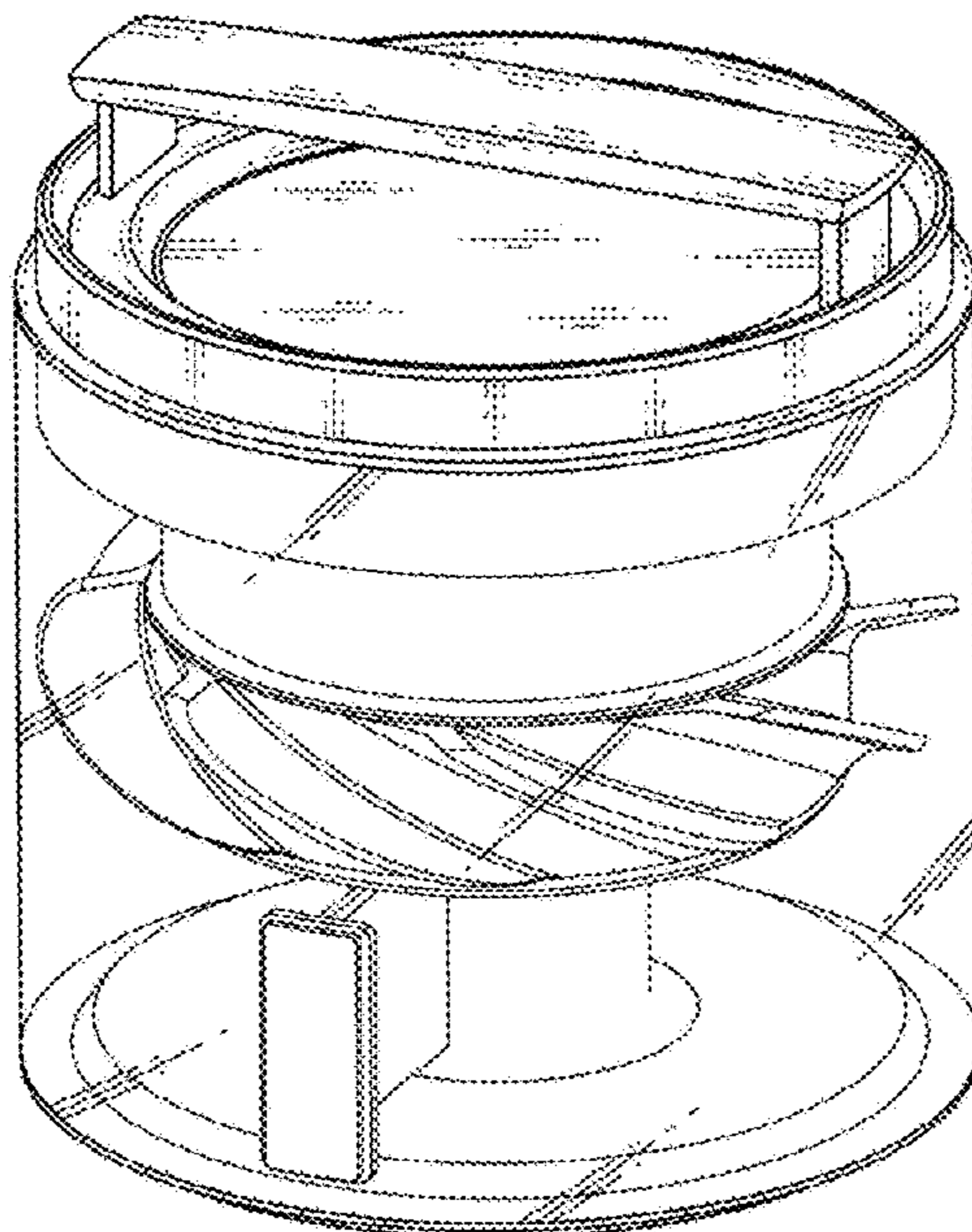
(58) **Field of Classification Search**
USPC D32/1, 17, 18, 21, 31
CPC A47L 5/28; A47L 9/1633; A47L 2201/04; A47L 2201/00

See application file for complete search history.

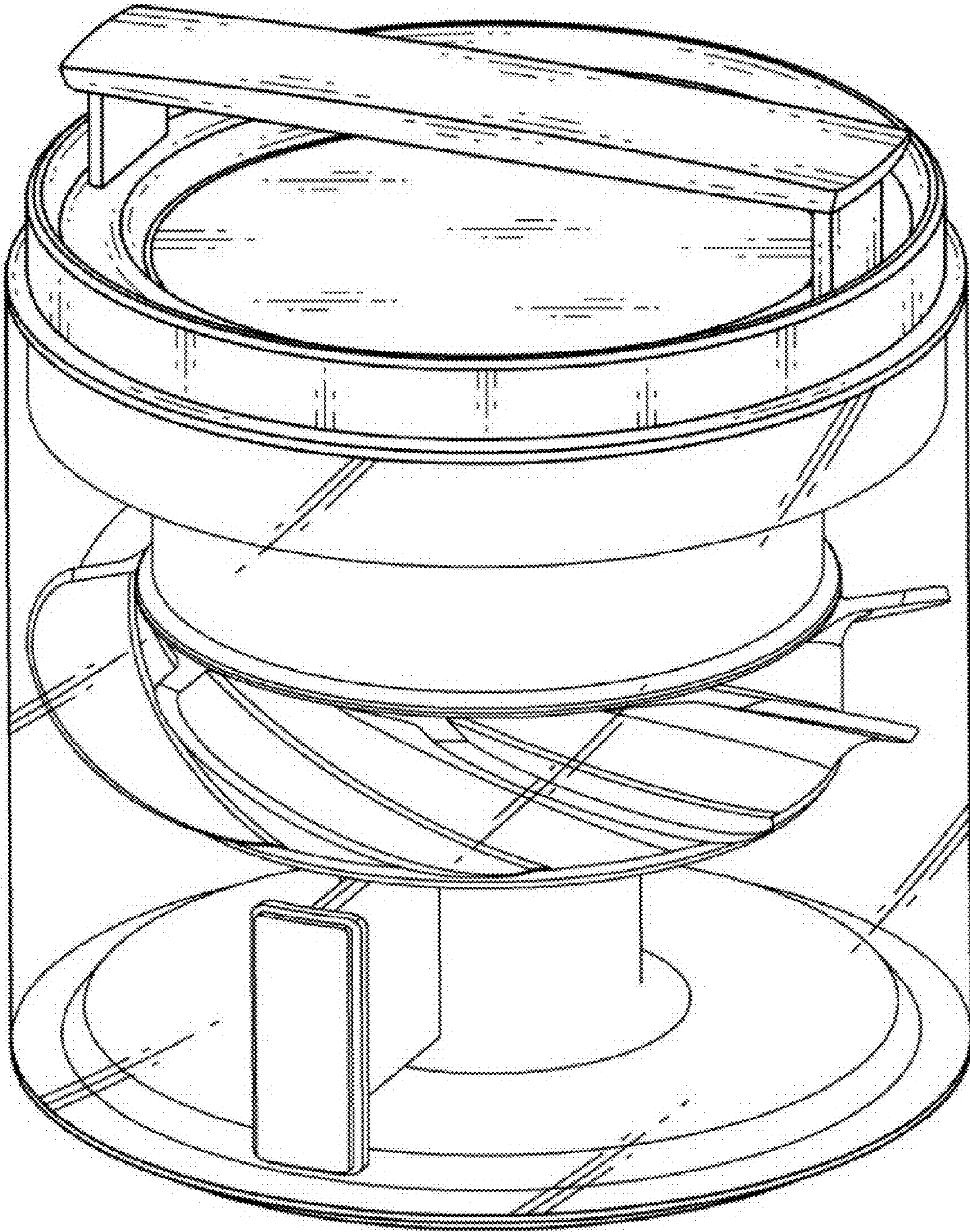
DESCRIPTION

1. Dust container for vacuum cleaner
- 1.1 is a perspective view of a dust container for vacuum cleaner showing our new design;
- 1.2 is a front elevation view thereof;
- 1.3 is a rear elevation view thereof;
- 1.4 is a left-side elevation view thereof;
- 1.5 is a right-side elevation view thereof;
- 1.6 is a top plan view thereof; and
- 1.7 is a bottom plan view thereof.

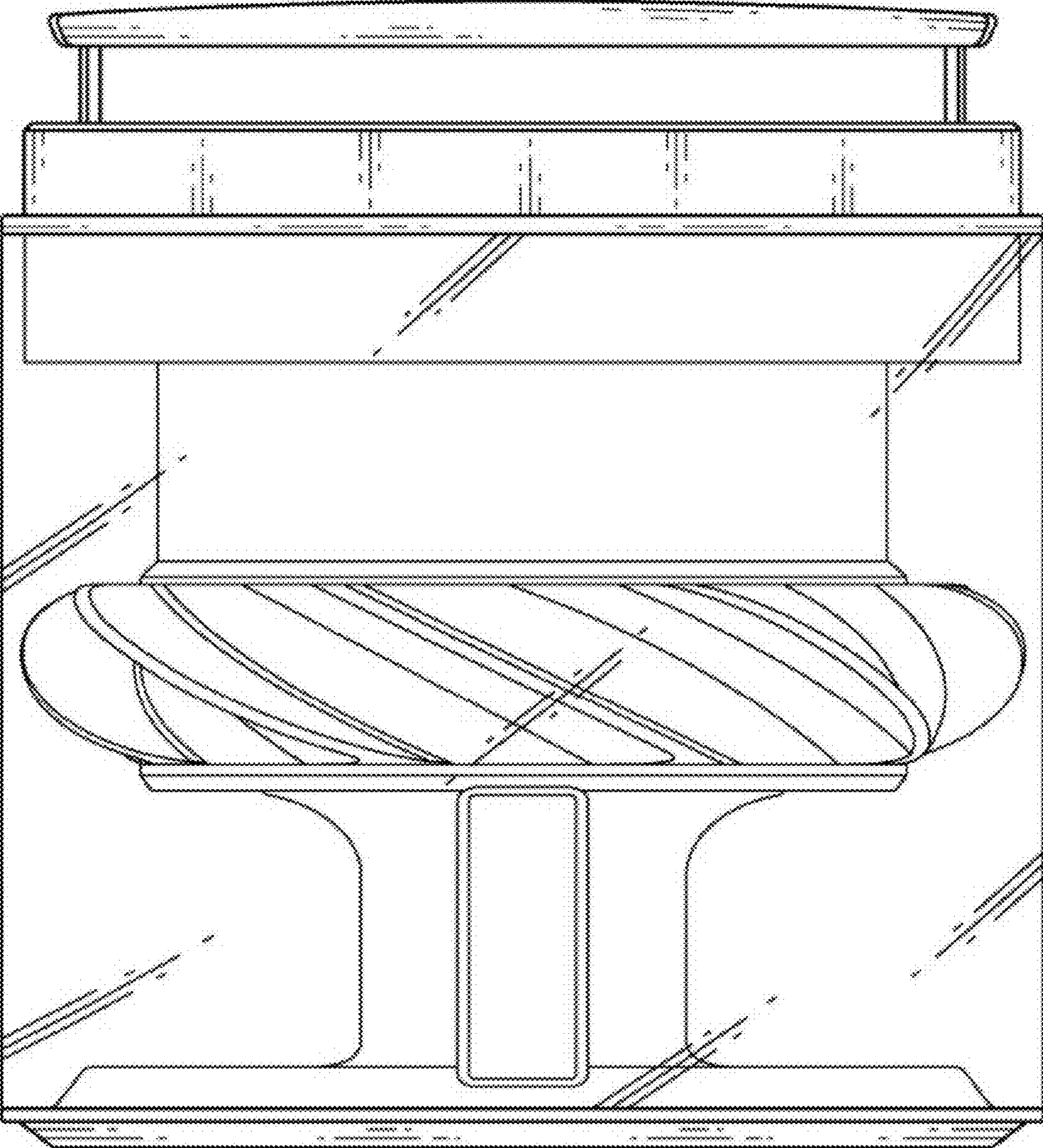
1 Claim, 7 Drawing Sheets



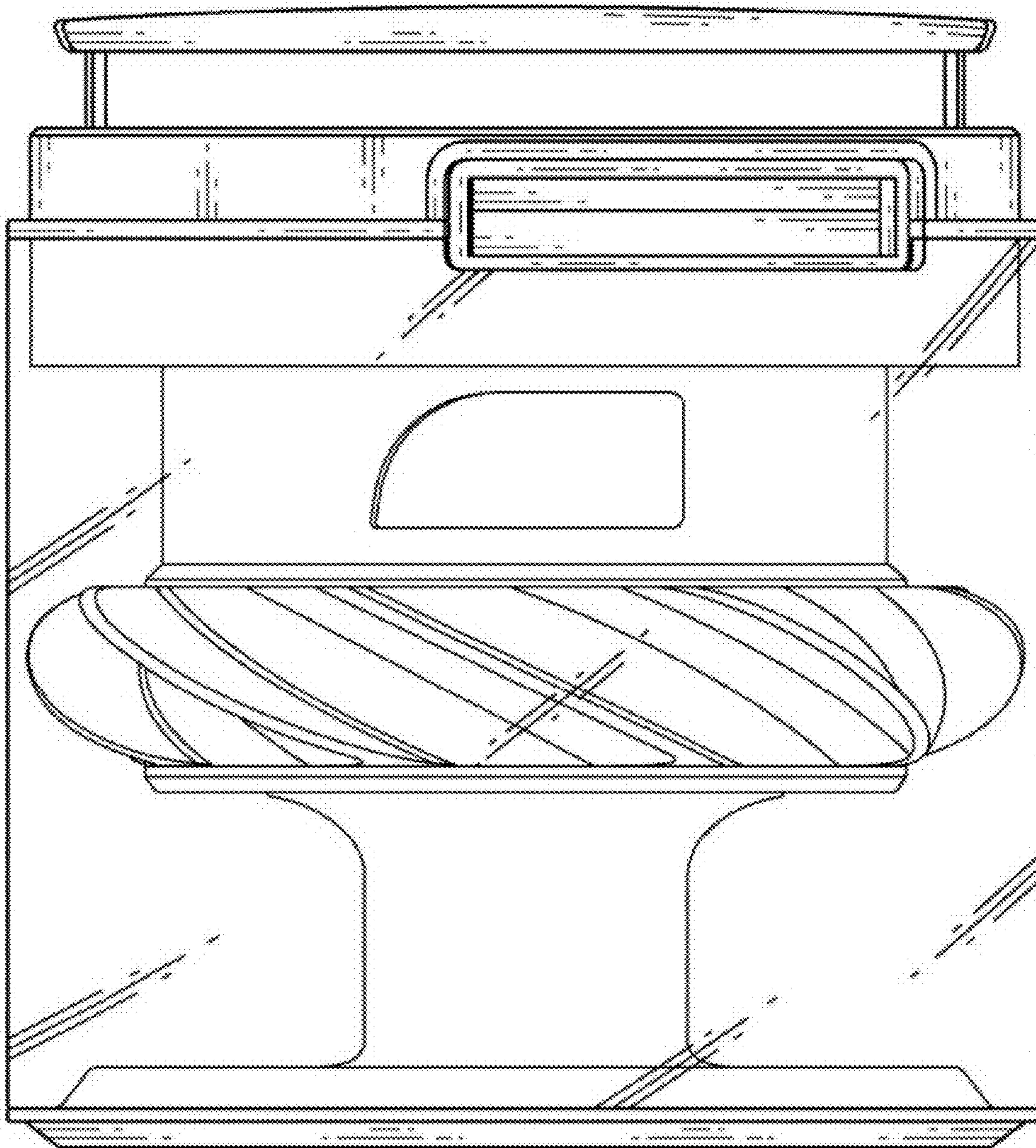
1.1



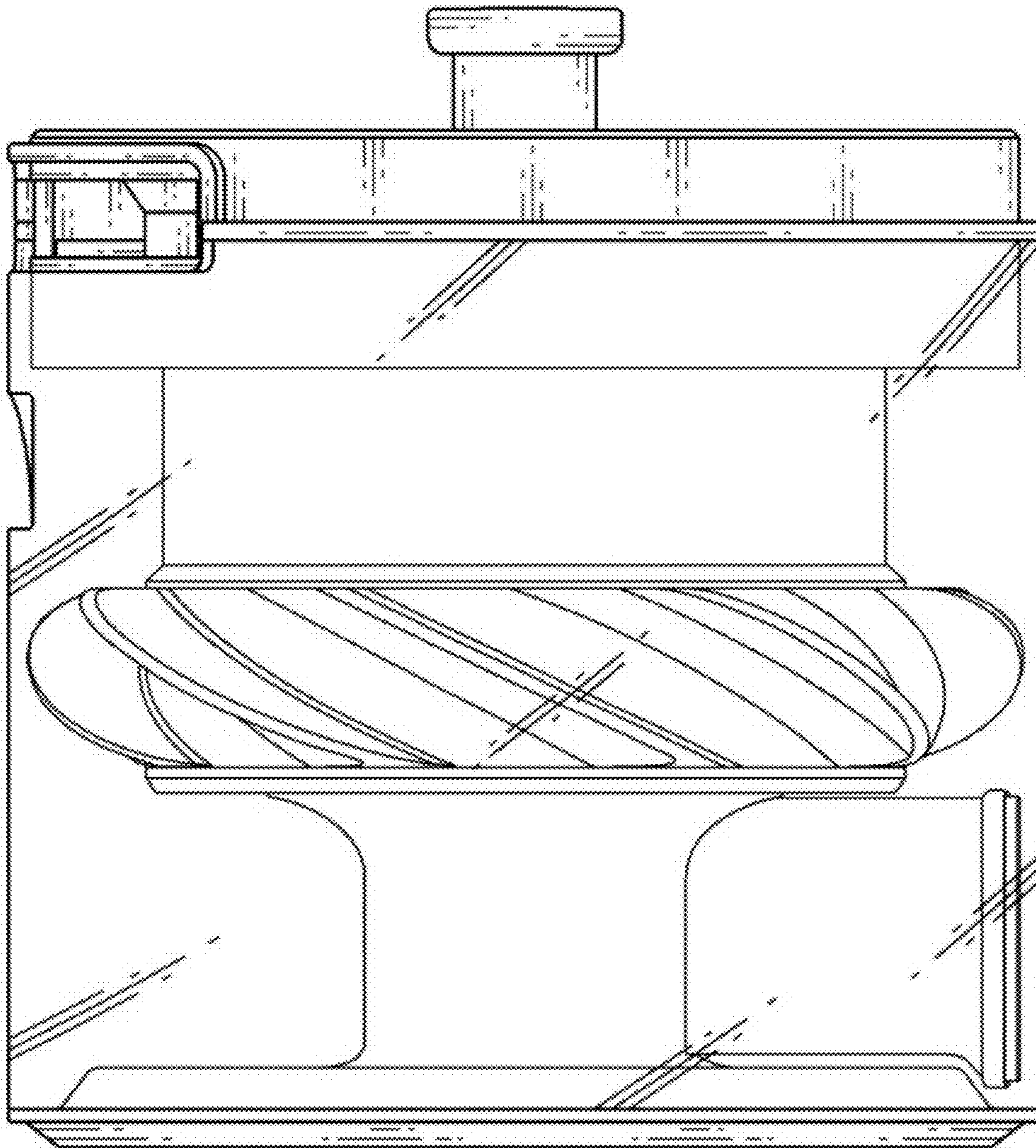
1.2



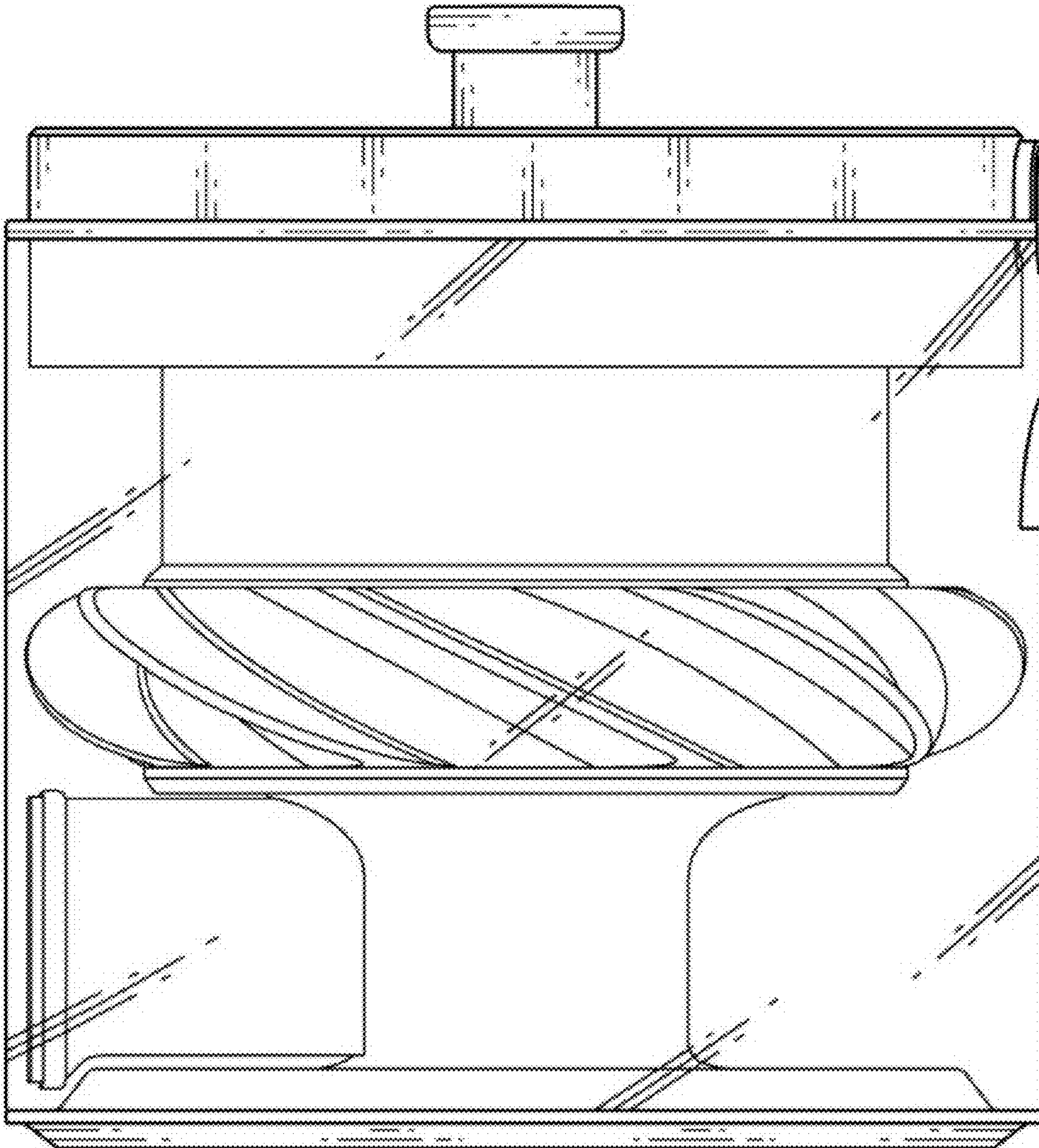
1.3



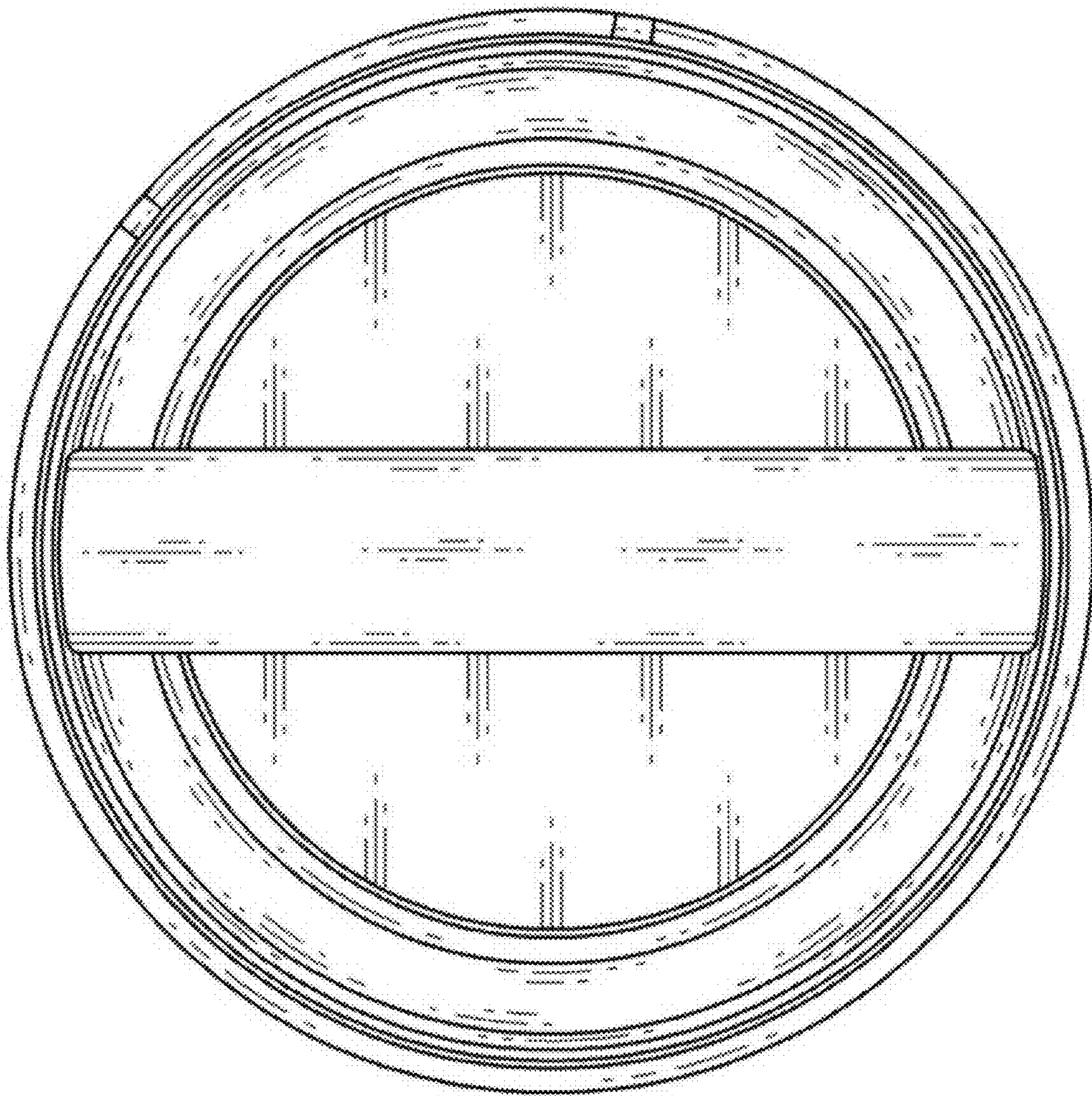
1.4



1.5



1.6



1.7

