



US00D818226S

(12) **United States Design Patent** (10) **Patent No.:** **US D818,226 S**  
**Nam et al.** (45) **Date of Patent:** **\*\* May 15, 2018**

(54) **ROBOT VACUUM CLEANER**

9/2847; A47L 9/2852; A47L 5/28; A47L 7/0038; G06N 3/008; E04H 4/1654

See application file for complete search history.

(71) Applicant: **LG ELECTRONICS INC.**, Seoul (KR)

(56) **References Cited**

(72) Inventors: **Bohyun Nam**, Seoul (KR); **Sojin Park**, Seoul (KR); **Jinju Kim**, Seoul (KR); **Jungkyu Son**, Seoul (KR); **Sehwan Bae**, Seoul (KR)

U.S. PATENT DOCUMENTS

D453,402 S *	2/2002	Kato	.....	D32/1
D473,354 S *	4/2003	Kato	.....	D32/1
D524,495 S *	7/2006	Ljunggren	.....	D32/21
D548,411 S *	8/2007	Schroter	.....	D32/21
D551,815 S *	9/2007	Schroeter	.....	D32/21
D555,305 S *	11/2007	Chun	.....	D32/21
D555,307 S *	11/2007	Chun	.....	D32/31
D659,311 S *	5/2012	Geringer	.....	D32/21
D660,530 S *	5/2012	Geringer	.....	D32/21
D670,877 S *	11/2012	Geringer	.....	D32/21
D704,400 S *	5/2014	Shin	.....	D32/21
D720,510 S *	12/2014	Shin	.....	D32/21
D720,511 S *	12/2014	Shin	.....	D32/21
D737,008 S *	8/2015	Cheon	.....	D32/31
D744,181 S *	11/2015	Cheon	.....	D32/31
D744,183 S *	11/2015	Cheon	.....	D32/31
D744,709 S *	12/2015	Cheon	.....	D32/31
D745,233 S *	12/2015	Choi	.....	D32/31
D745,757 S *	12/2015	Choi	.....	D32/21
D746,005 S *	12/2015	Cheon	.....	D32/21
D751,260 S *	3/2016	Kim	.....	D32/21
D751,777 S *	3/2016	Cheon	.....	D32/21
D752,300 S *	3/2016	Cheon	.....	D32/31
D766,524 S *	9/2016	Ochi	.....	D32/21

(Continued)

(73) Assignee: **LG Electronics Inc.**, Seoul (KR)

(\*\*) Term: **15 Years**

(21) Appl. No.: **35/502,033**

(22) Filed: **Jun. 3, 2016**

(80) **Hague Agreement Data**

Int. Filing Date: **Jun. 3, 2016**

Int. Reg. No.: **DM/091180**

Int. Reg. Date: **Jun. 3, 2016**

Int. Reg. Pub. Date: **Dec. 9, 2016**

(30) **Foreign Application Priority Data**

Dec. 3, 2015 (KR) ..... 30-2015-0061619

(51) **LOC (11) Cl.** ..... **15-05**

(52) **U.S. Cl.**

USPC ..... **D32/21**; D32/31

CPC ..... **A47L 9/16** (2013.01)

(58) **Field of Classification Search**

USPC ..... D32/18, 21-24, 31

CPC . A47L 9/16; A47L 9/20; A47L 9/1683; A47L 9/1666; A47L 9/1608; A47L 9/2857;

A47L 9/2842; A47L 9/2836; A47L

*Primary Examiner* — Richard E Chilcot

(74) *Attorney, Agent, or Firm* — Birch, Stewart, Kolasch & Birch, LLP

(57) **CLAIM**

The ornamental design for a robot vacuum cleaner, as shown and described.

**DESCRIPTION**

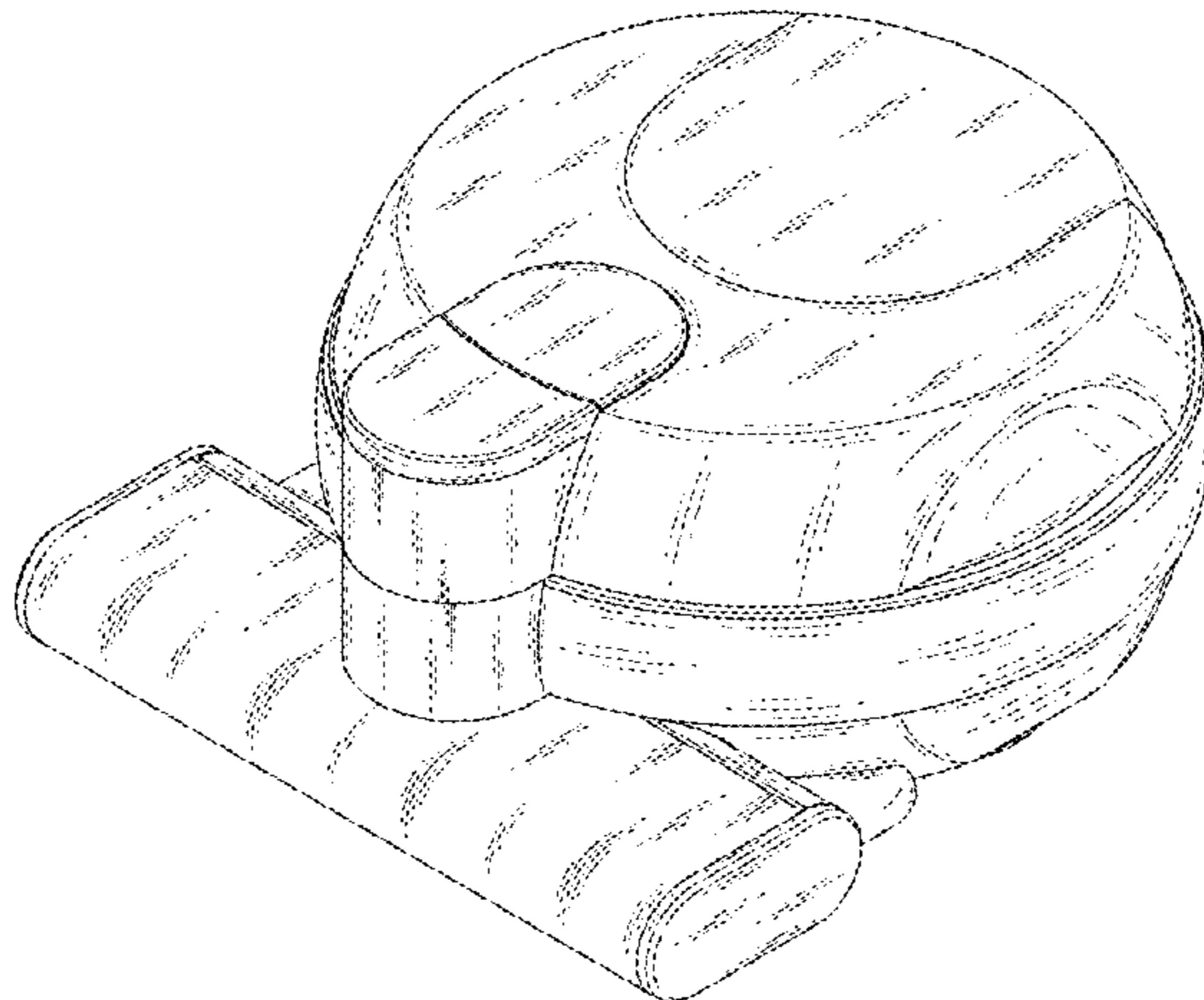
1. Robot vacuum cleaner

**1.1** is a perspective view of a robot vacuum cleaner showing our new design;

**1.2** is a front elevation view thereof;

**1.3** is a rear elevation view thereof;

(Continued)



1.4 is a left-side elevation view thereof;  
1.5 is a right-side elevation view thereof;  
1.6 is a top plan view thereof; and  
1.7 is a bottom plan view thereof.

**1 Claim, 7 Drawing Sheets**

(56)

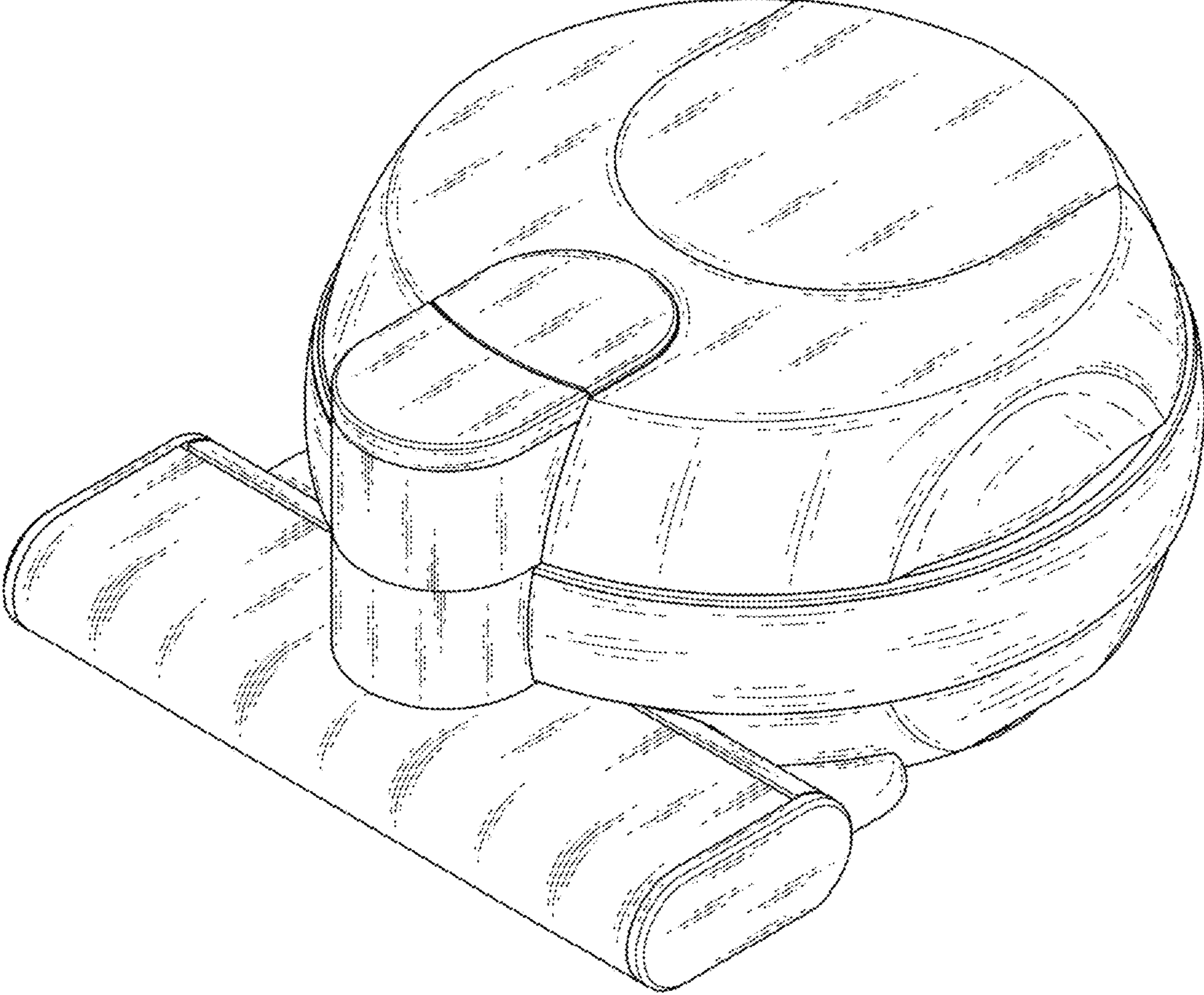
**References Cited**

U.S. PATENT DOCUMENTS

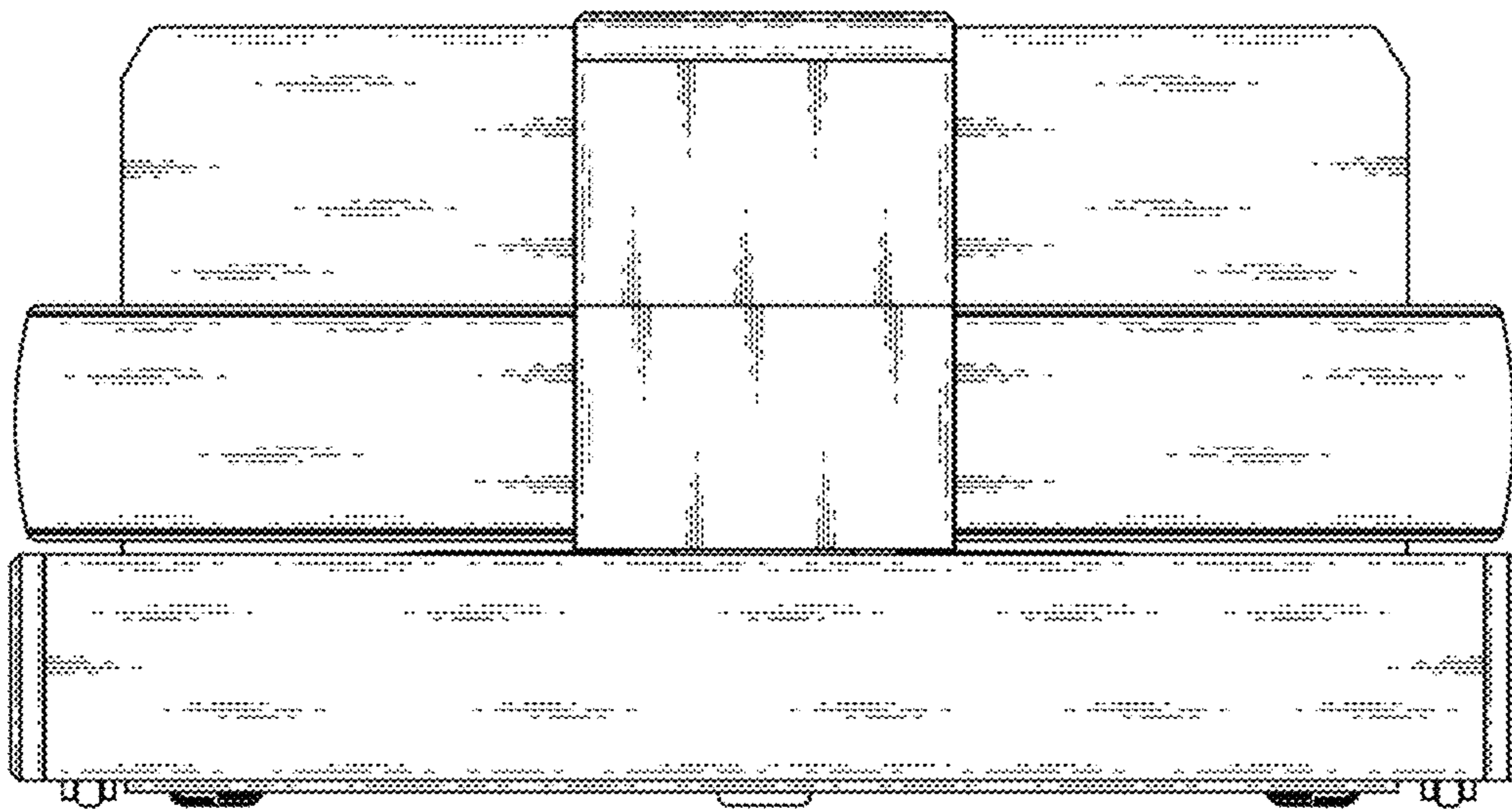
D771,885 S *	11/2016	Caruso .....	D32/21
D773,758 S *	12/2016	Caruso .....	D32/21
D778,514 S *	2/2017	Park .....	D32/21
2006/0236492 A1 *	10/2006	Sudo .....	A47L 11/24 15/319

\* cited by examiner

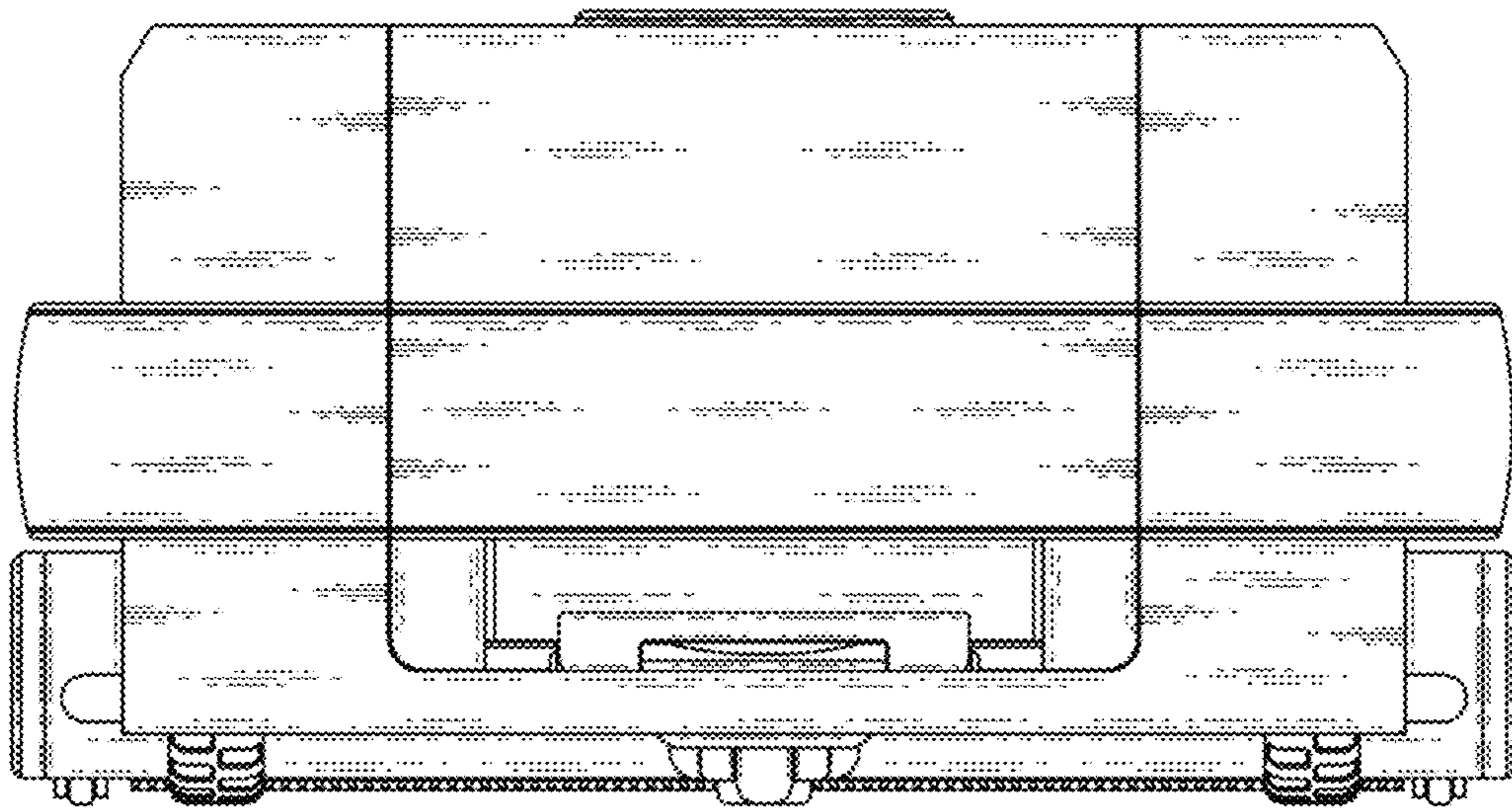
1.1



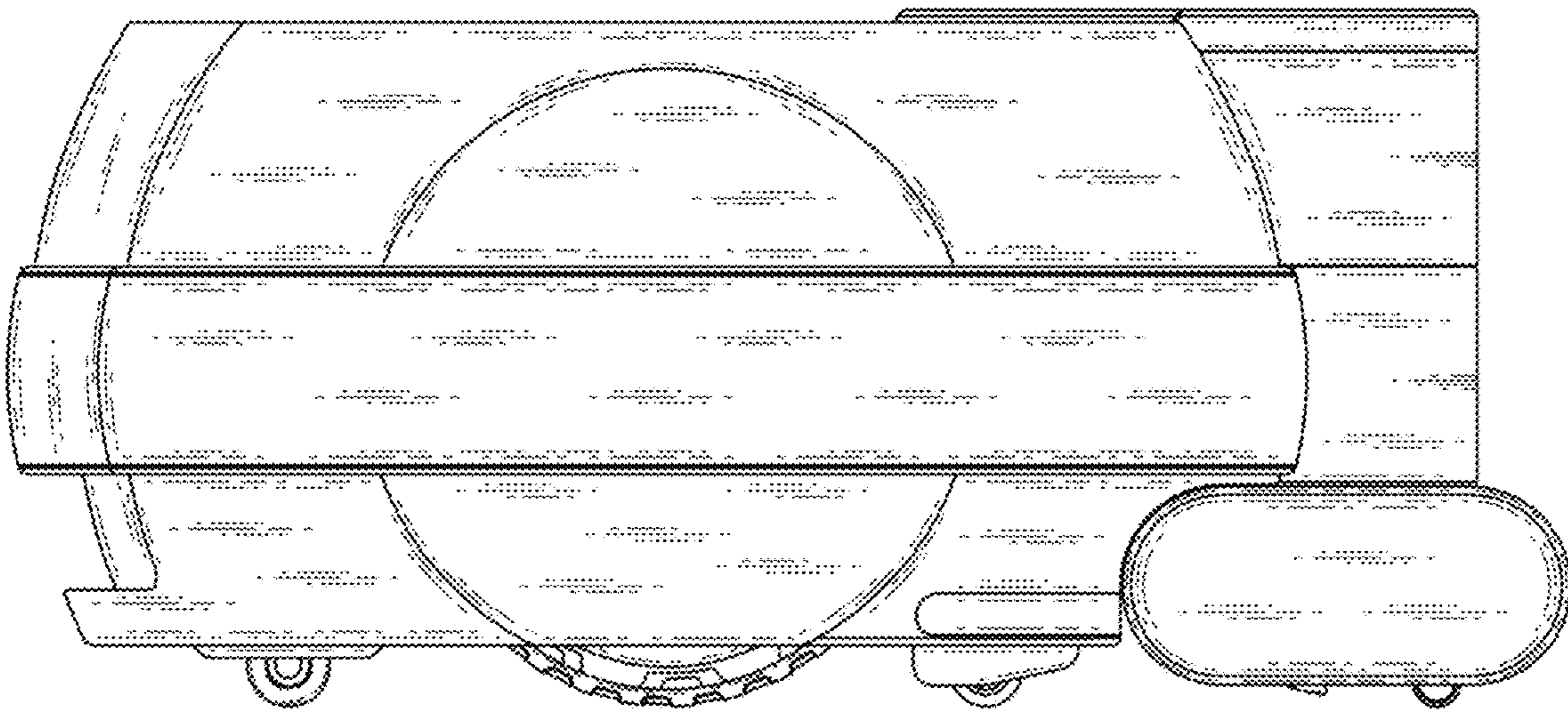
1.2



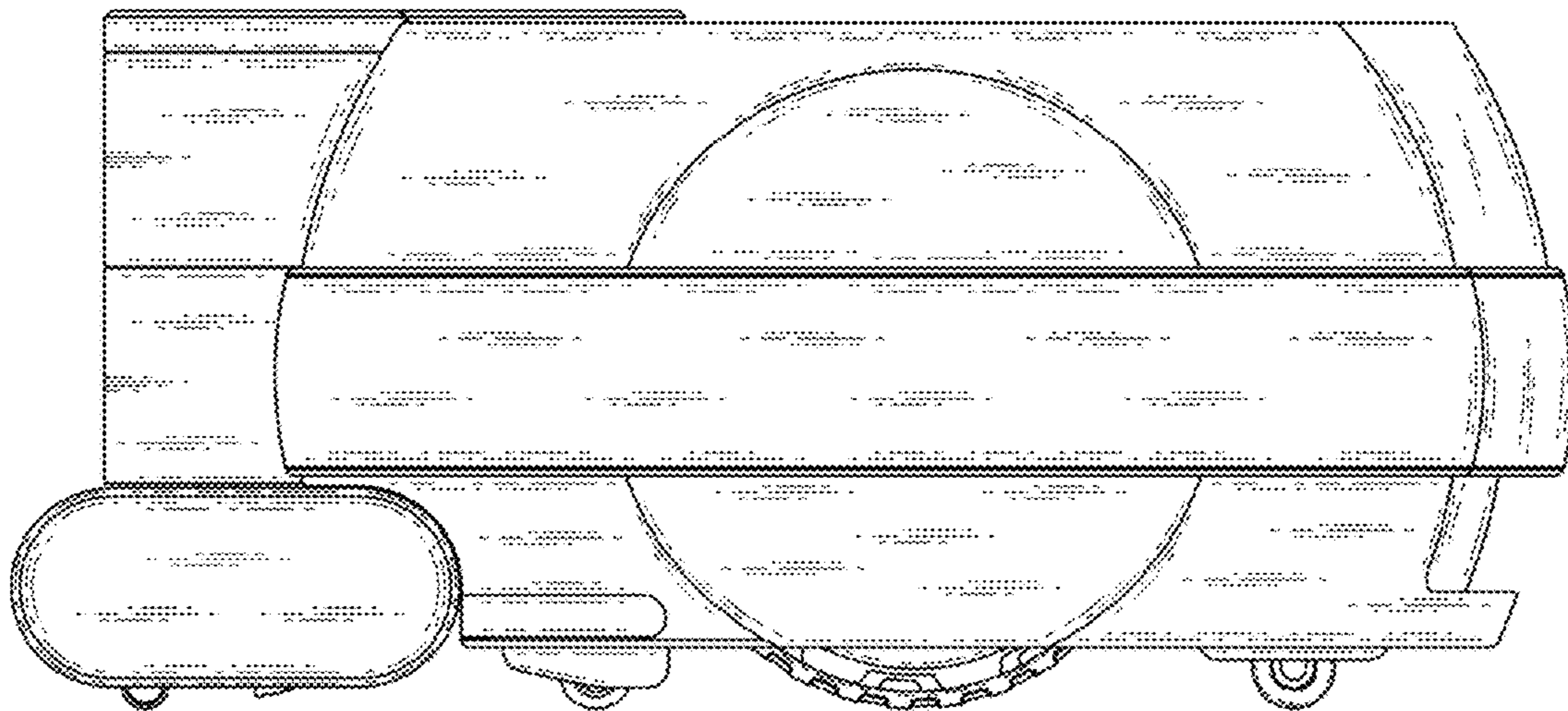
1.3



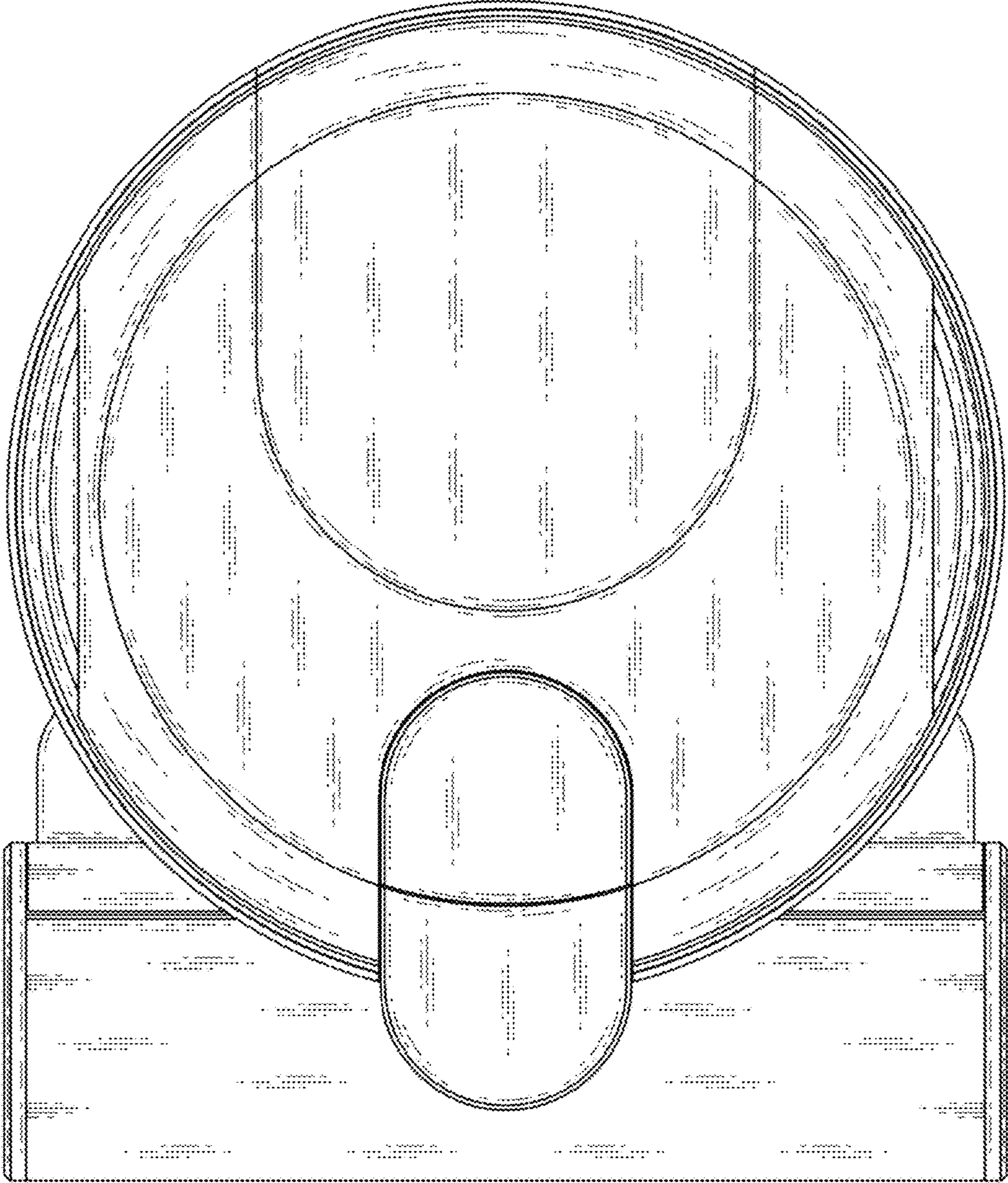
1.4



1.5



1.6





1.7

