



US00D818225S

(12) **United States Design Patent**  
**Nam et al.**

(10) **Patent No.:** **US D818,225 S**  
(45) **Date of Patent:** **\*\* May 15, 2018**

(54) **ROBOT CLEANER**

(71) Applicant: **LG ELECTRONICS INC.**, Seoul (KR)

(72) Inventors: **Bohyun Nam**, Seoul (KR); **Seunghyun Song**, Seoul (KR); **Jungkyu Son**, Seoul (KR); **Jaeyong Park**, Seoul (KR); **Shwan Bae**, Seoul (KR)

(73) Assignee: **LG ELECTRONICS INC.**, Seoul (KR)

(\*\*) Term: **15 Years**

(21) Appl. No.: **29/565,961**

(22) Filed: **May 25, 2016**

(30) **Foreign Application Priority Data**

Dec. 1, 2015 (KR) ..... 30-2015-0060926

(51) **LOC (11) Cl.** ..... **15-05**

(52) **U.S. Cl.**  
USPC ..... **D32/21**

(58) **Field of Classification Search**  
USPC ..... D32/17, 21-24, 31  
CPC .... A04H 4/1636; A04H 4/1654; A04H 4/169;  
A47L 9/2842  
See application file for complete search history.

(56) **References Cited**

**U.S. PATENT DOCUMENTS**

|            |   |         |            |       |        |
|------------|---|---------|------------|-------|--------|
| D625,059 S | * | 10/2010 | Morenstein | ..... | D32/21 |
| D625,477 S | * | 10/2010 | Morenstein | ..... | D32/21 |
| D630,808 S | * | 1/2011  | Dye        | ..... | D32/21 |
| D630,809 S | * | 1/2011  | Dye        | ..... | D32/21 |
| D669,235 S | * | 10/2012 | Bassett    | ..... | D32/21 |
| D684,738 S | * | 6/2013  | Richiuso   | ..... | D32/21 |

|            |   |         |                    |       |        |
|------------|---|---------|--------------------|-------|--------|
| D690,478 S | * | 9/2013  | Li                 | ..... | D32/21 |
| D690,887 S | * | 10/2013 | Lee                | ..... | D32/21 |
| D691,337 S | * | 10/2013 | Kim                | ..... | D32/21 |
| D709,255 S | * | 7/2014  | Wang               | ..... | D32/21 |
| D714,002 S | * | 9/2014  | Casini             | ..... | D32/21 |
| D715,504 S | * | 10/2014 | Deoksang           | ..... | D32/21 |
| D718,911 S | * | 12/2014 | Vanderstegen-Drake | ..... | D32/21 |
| D720,103 S | * | 12/2014 | Haug               | ..... | D32/21 |
| D721,460 S | * | 1/2015  | Hanan              | ..... | D32/21 |
| D728,873 S | * | 5/2015  | Renaud             | ..... | D32/21 |
| D745,757 S | * | 12/2015 | Choi               | ..... | D32/21 |
| D746,005 S | * | 12/2015 | Cheon              | ..... | D32/21 |
| D747,573 S | * | 1/2016  | Richiuso           | ..... | D32/21 |
| D751,777 S | * | 3/2016  | Cheon              | ..... | D32/21 |
| D771,884 S | * | 11/2016 | Ninomiya           | ..... | D32/21 |
| D778,514 S | * | 2/2017  | Park               | ..... | D32/21 |
| D778,515 S | * | 2/2017  | Choi               | ..... | D32/21 |

\* cited by examiner

*Primary Examiner* — Ruth McInroy

(74) *Attorney, Agent, or Firm* — Dentons US LLP

(57) **CLAIM**

We claim the ornamental design for a robot cleaner, as shown and described.

**DESCRIPTION**

FIG. 1 is a perspective view of a robot cleaner showing our new design;  
FIG. 2 is a front elevation view thereof;  
FIG. 3 is a rear elevation view thereof;  
FIG. 4 is a left-side elevation view thereof;  
FIG. 5 is a right-side elevation view thereof;  
FIG. 6 is a top plan view thereof; and,  
FIG. 7 is a perspective view, from which its dust canister is detached.

The broken lines represent unclaimed portions of the robot cleaner and form no part of the claimed design.

**1 Claim, 5 Drawing Sheets**

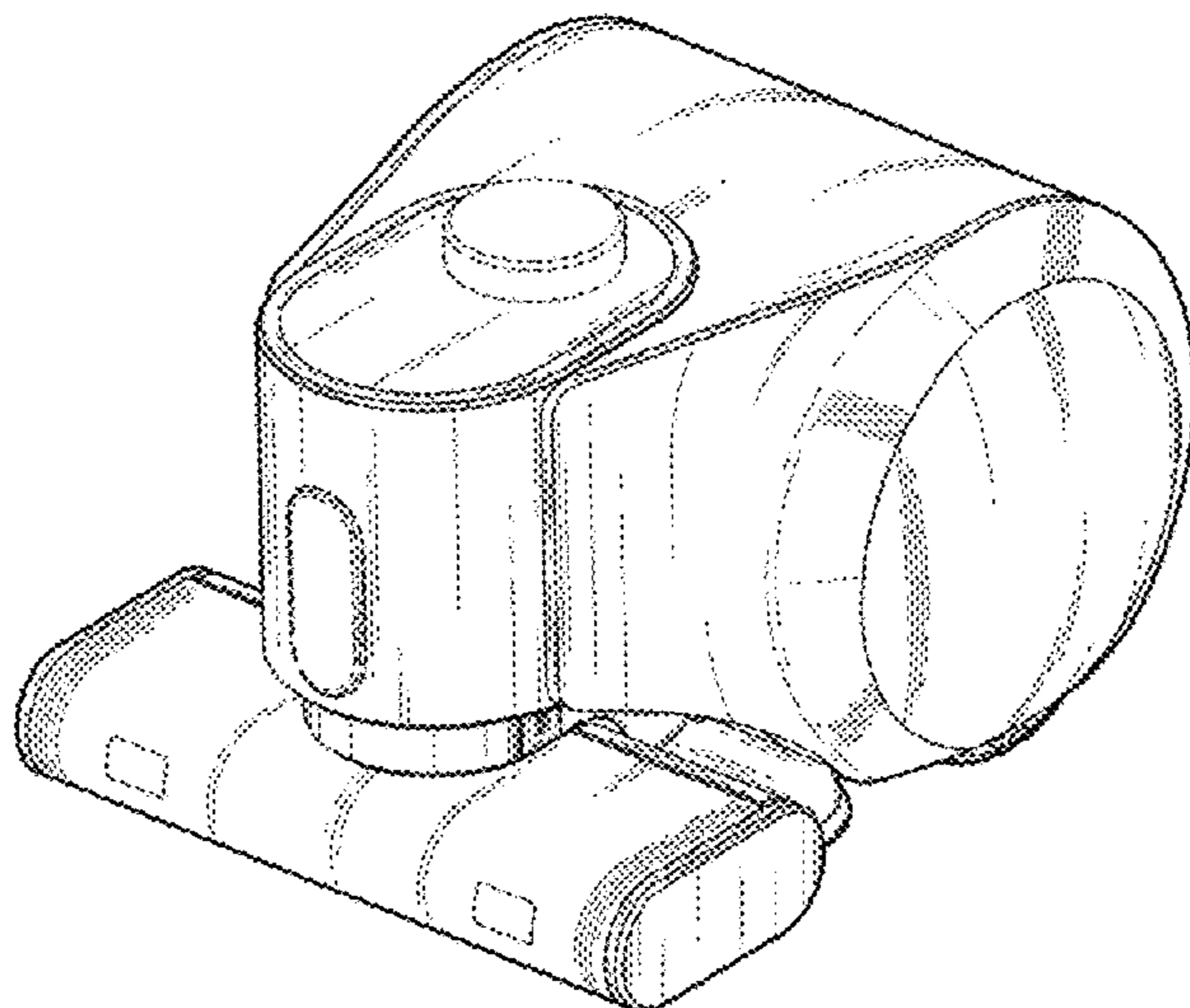


FIG. 1

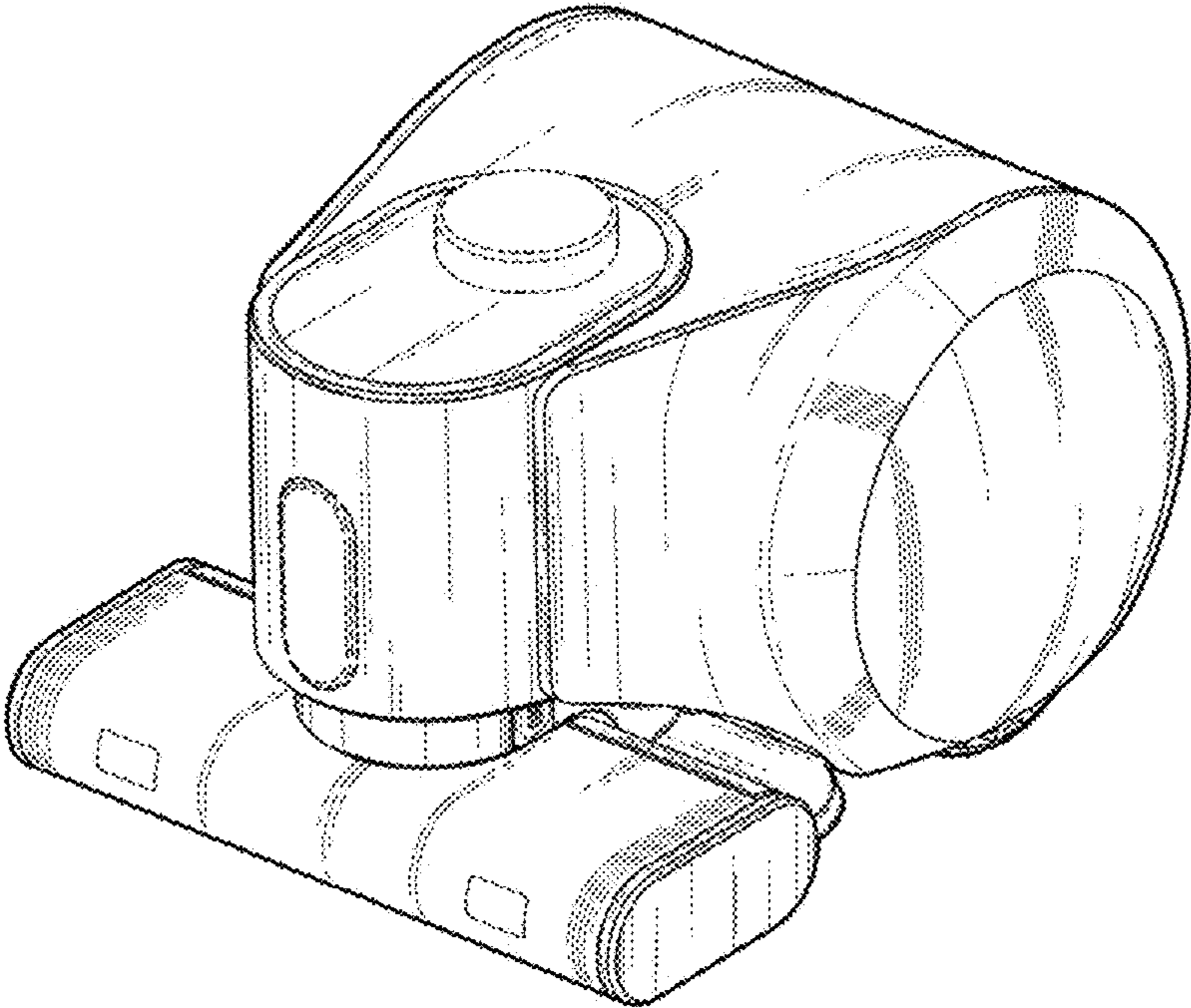


FIG. 2

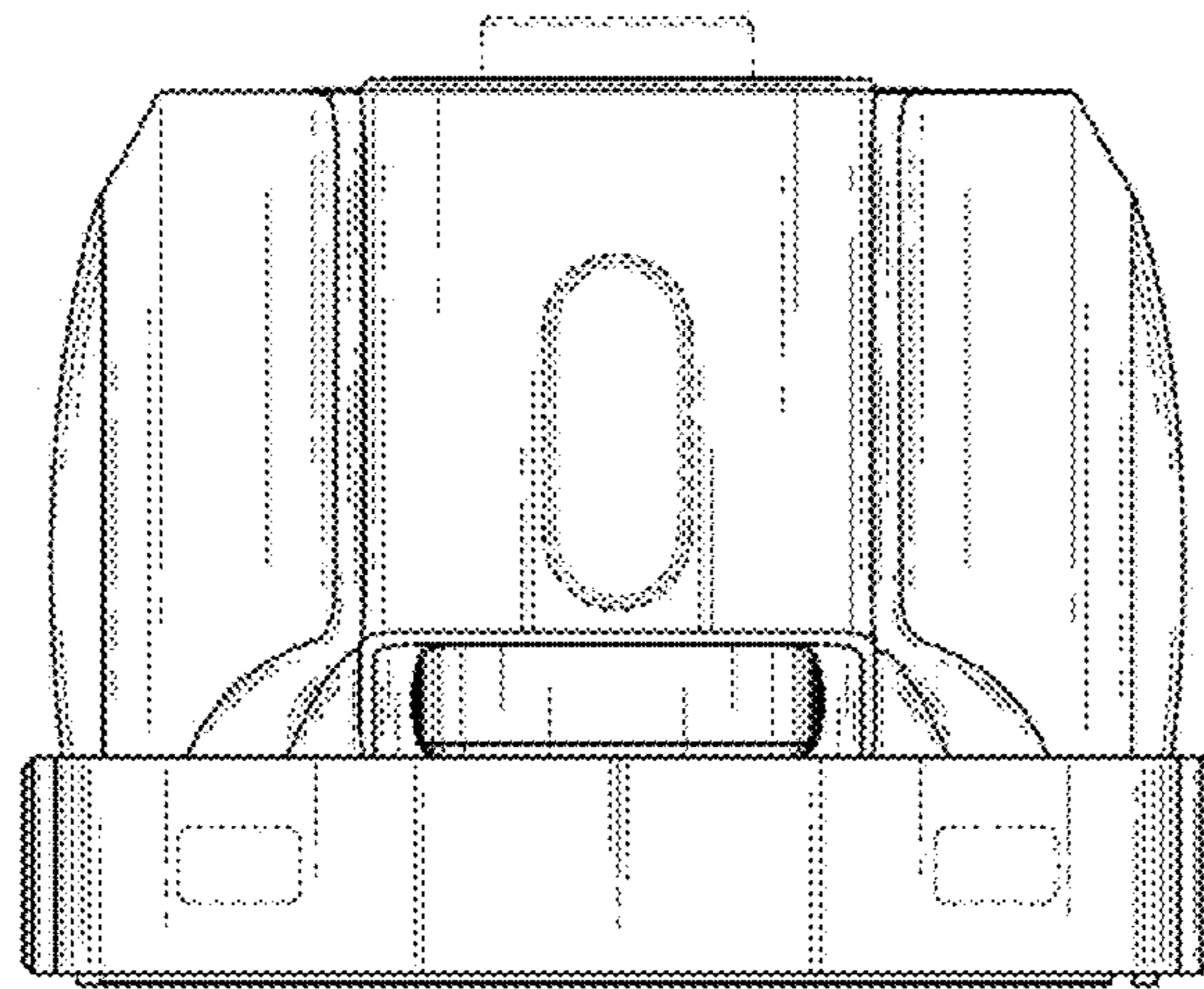


FIG. 3

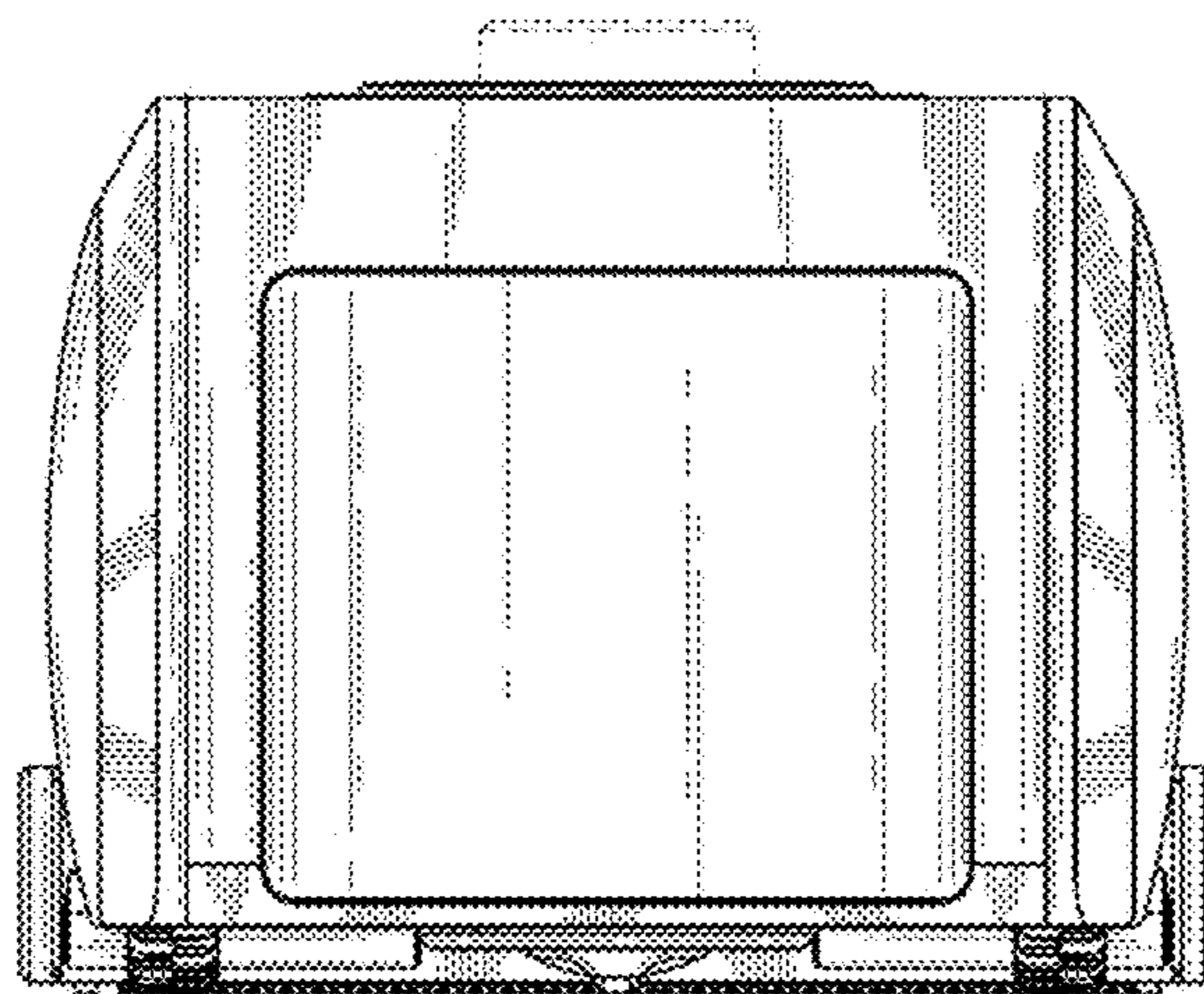


FIG. 4

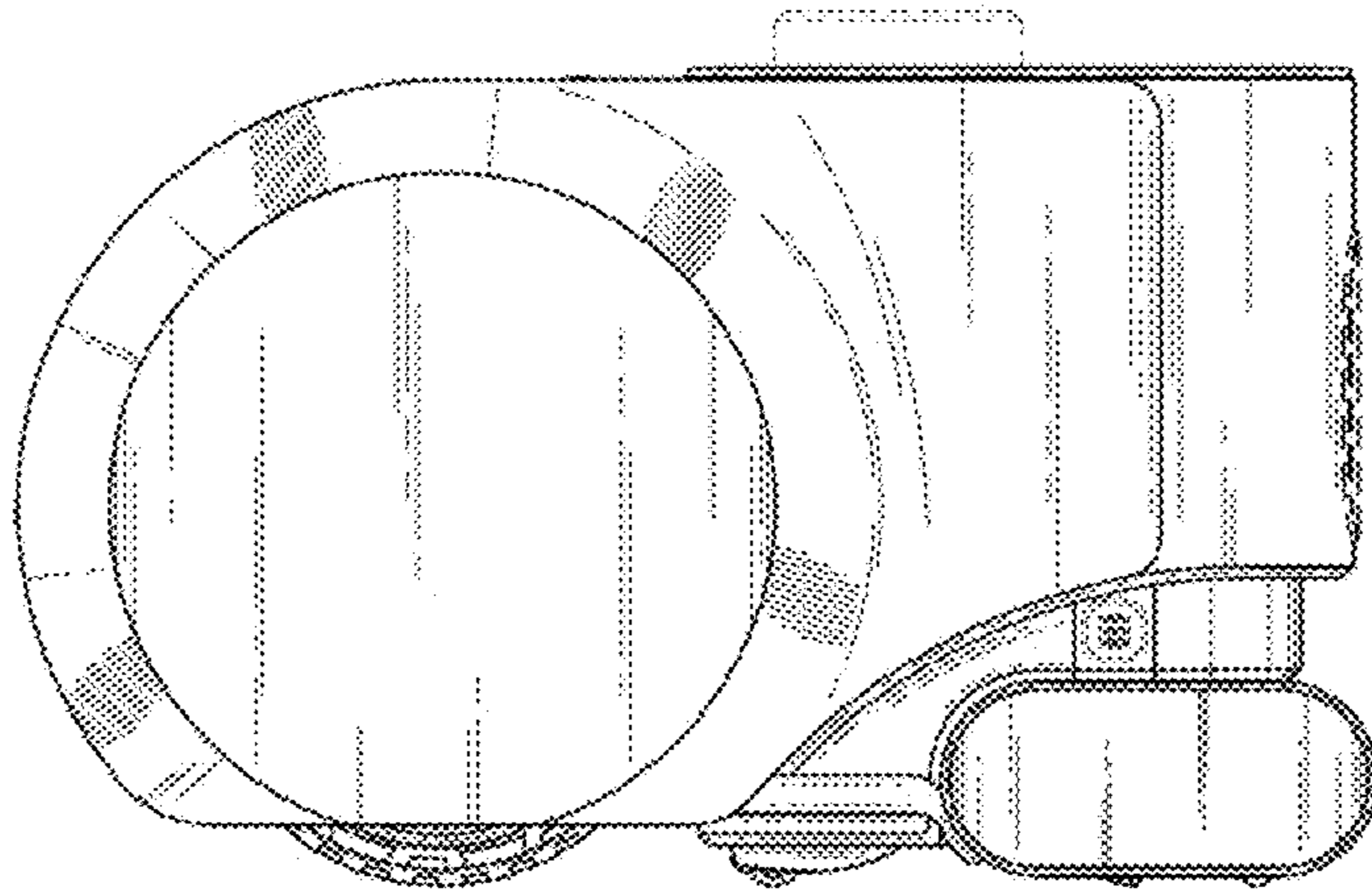


FIG. 5

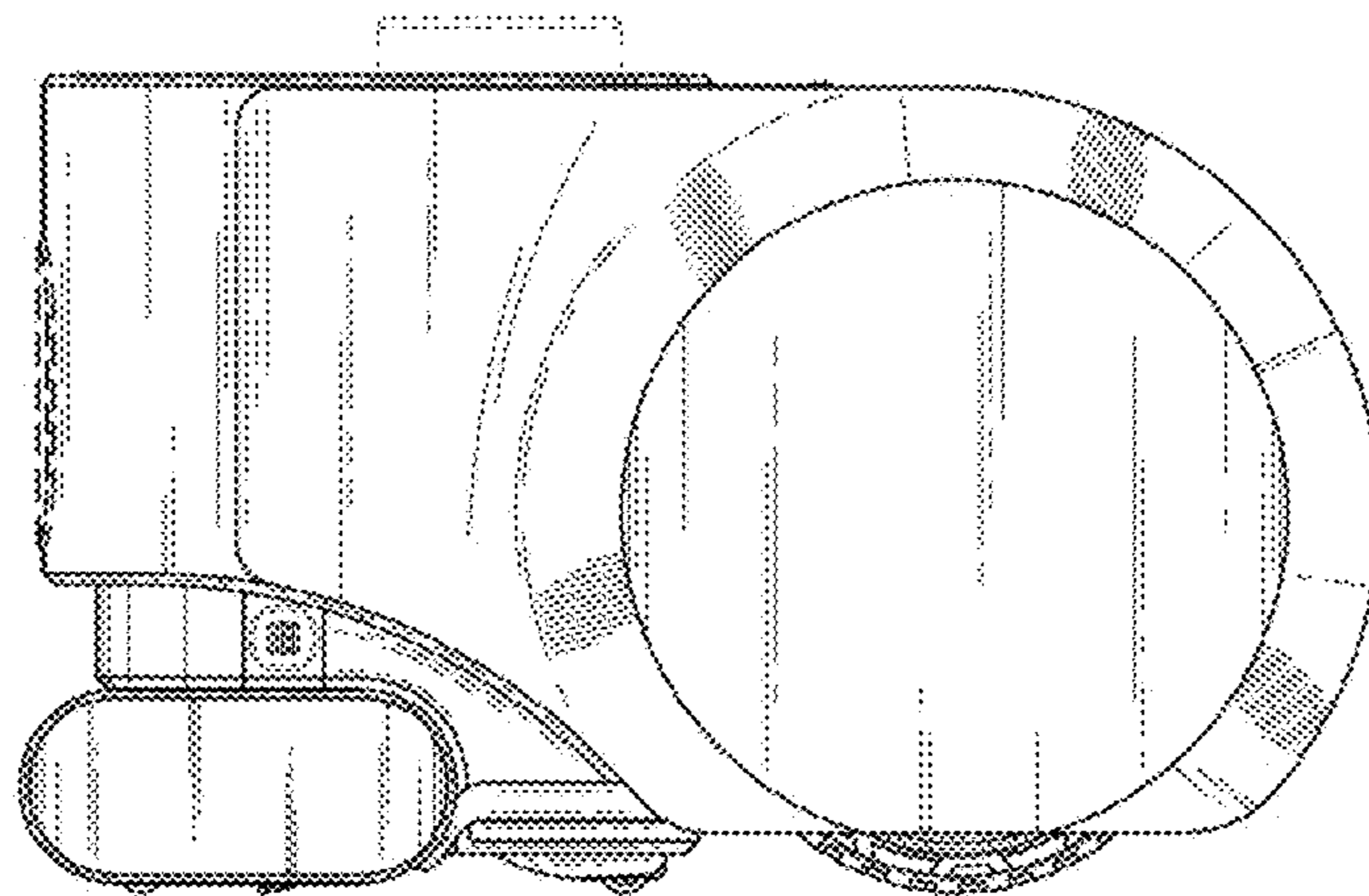


FIG. 6

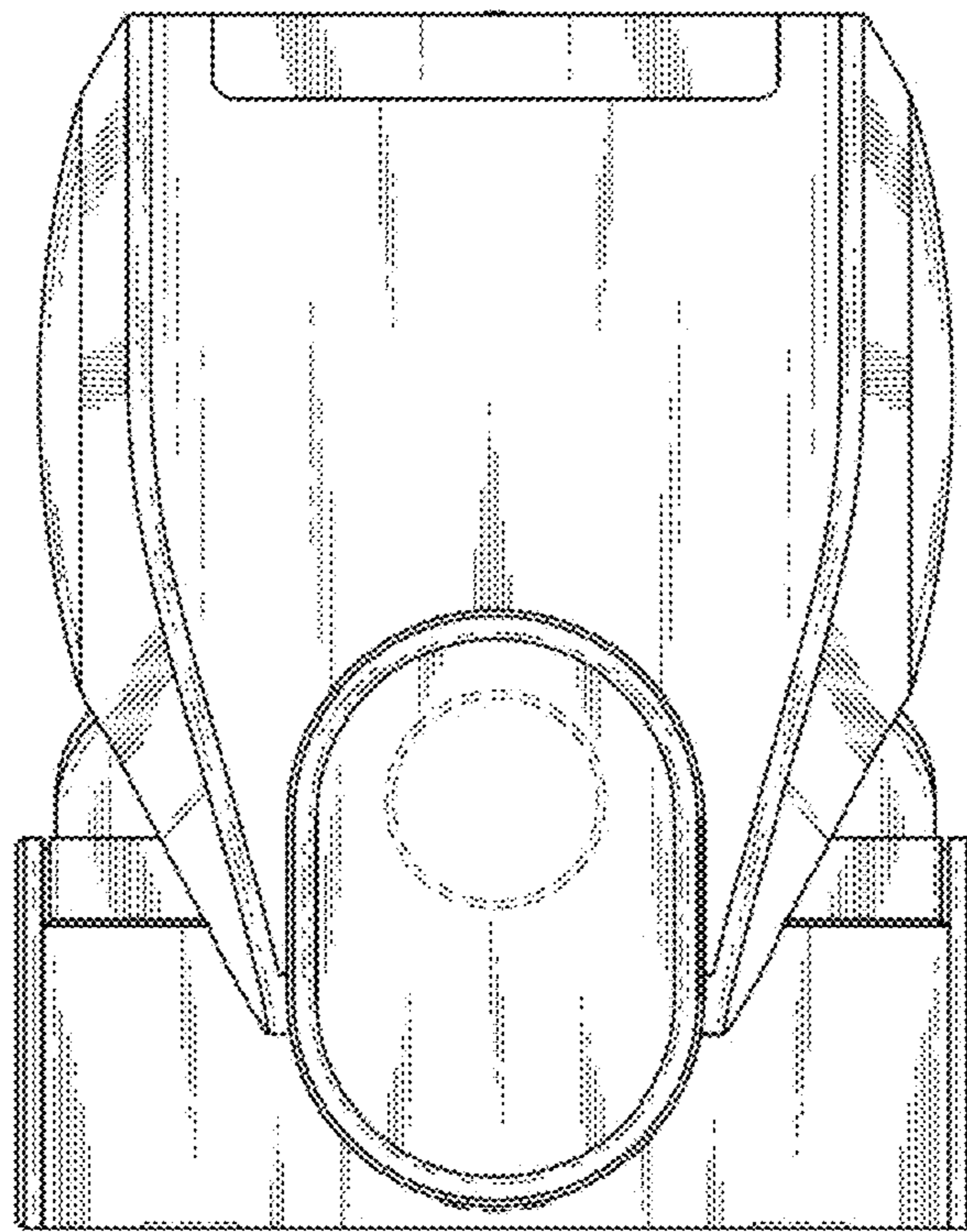


FIG. 7

