



US00D818224S

(12) **United States Design Patent** (10) **Patent No.:** **US D818,224 S**
Nam et al. (45) **Date of Patent:** **** May 15, 2018**

(54) **VACUUM CLEANER**

(71) Applicant: **LG ELECTRONICS INC.**, Seoul (KR)

(72) Inventors: **Bohyun Nam**, Seoul (KR); **Jinju Kim**, Seoul (KR); **Namhee Kim**, Seoul (KR); **Hyeonjeong An**, Seoul (KR); **Sehwan Bae**, Seoul (KR)

(73) Assignee: **LG Electronics Inc.**, Seoul (KR)

(**) Term: **15 Years**

(21) Appl. No.: **35/501,983**

(22) Filed: **Jun. 1, 2016**

(80) **Hague Agreement Data**

Int. Filing Date: **Jun. 1, 2016**

Int. Reg. No.: **DM/091005**

Int. Reg. Date: **Jun. 1, 2016**

Int. Reg. Pub. Date: **Dec. 2, 2016**

(30) **Foreign Application Priority Data**

Dec. 1, 2015 (KR) 30-2015-0060927

(51) **LOC (11) Cl.** **15-05**

(52) **U.S. Cl.**
USPC **D32/18**

(58) **Field of Classification Search**
USPC D32/17-18, 21-22, 31, 34
CPC B32B 3/00; A47L 5/06; A47L 5/24; A47L 5/26; A47L 9/12; A47L 9/127; A47L 9/1454; A47L 9/1481; A47L 9/16; A47L 9/1633; A47L 9/1641; A47L 9/165; A47L 9/1658; A47L 9/1666; A47L 9/1683; A47L 9/2857; A47L 9/2842; A47L 9/2884; A47L 9/322

See application file for complete search history.

(56) **References Cited**

U.S. PATENT DOCUMENTS

D298,875 S *	12/1988	Nakamura	D32/18
D668,010 S *	9/2012	Stickney	D32/18
D668,823 S *	10/2012	Stickney	D32/18
D731,130 S *	6/2015	Dyson	D32/18
D731,134 S *	6/2015	Dyson	D32/31
D731,136 S *	6/2015	Yun	D32/34
D731,720 S *	6/2015	Gidwell	D32/18
D739,102 S *	9/2015	Dyson	D32/18
D741,558 S *	10/2015	Kerr	D32/18
D743,123 S *	11/2015	Chu	D32/18
D745,231 S *	12/2015	Niedzwecki	D32/18
D747,571 S *	1/2016	Dyson	D32/18
D747,572 S *	1/2016	Kerr	D32/18
D780,387 S *	2/2017	Bu	D32/18
D781,011 S *	3/2017	Bu	D32/18
D792,665 S *	7/2017	Salagnac	D32/18

(Continued)

Primary Examiner — Darlington Ly

(74) *Attorney, Agent, or Firm* — Birch, Stewart, Kolasch & Birch, LLP

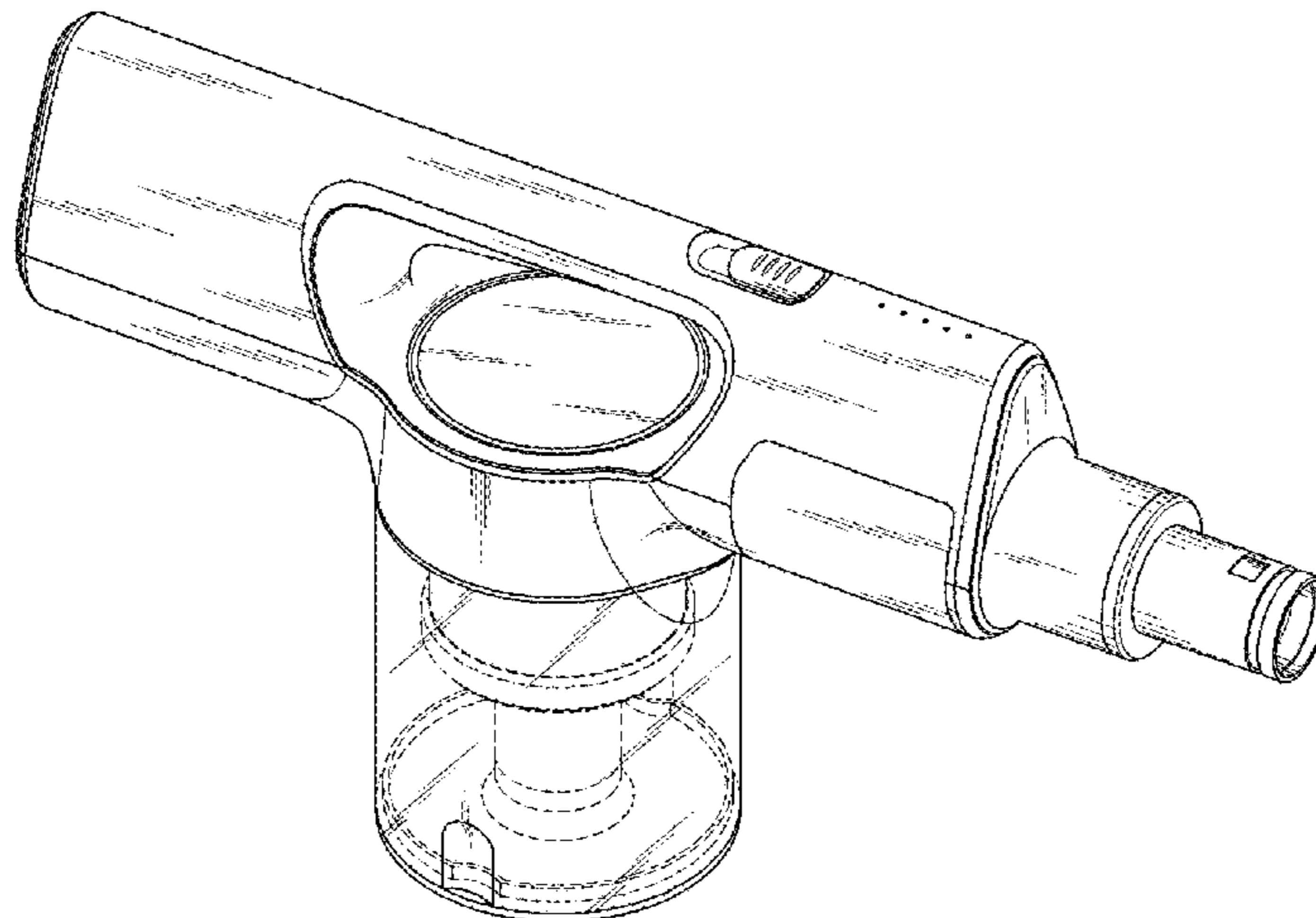
(57) **CLAIM**

The ornamental design for a vacuum cleaner, as shown and described.

DESCRIPTION

1. Vacuum cleaner
1.1 is a top, front, and left side perspective view of a vacuum cleaner showing our new design;
1.2 is a front elevation view thereof;
1.3 is a rear elevation view thereof;
1.4 is a left side elevation view thereof;
1.5 is a right side elevation view thereof;
1.6 is a top plan view thereof;
1.7 is a bottom plan view thereof; and
1.8 is a top, front, and left side perspective view thereof, wherein exemplary accessory elements are shown attached. The broken lines in the reproductions illustrate portions of the vacuum cleaner that form no part of the claimed design.

1 Claim, 8 Drawing Sheets



(56)

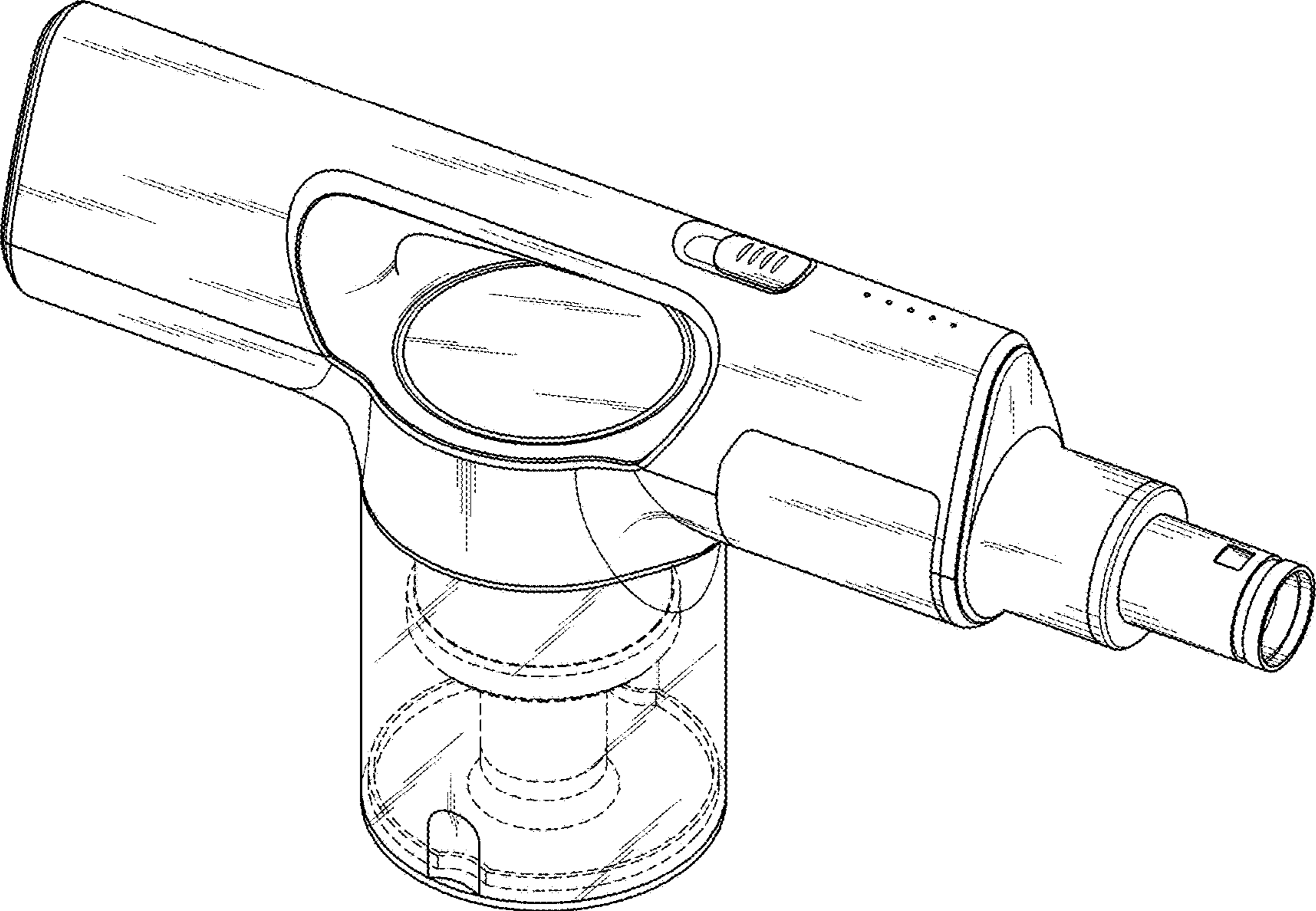
References Cited

U.S. PATENT DOCUMENTS

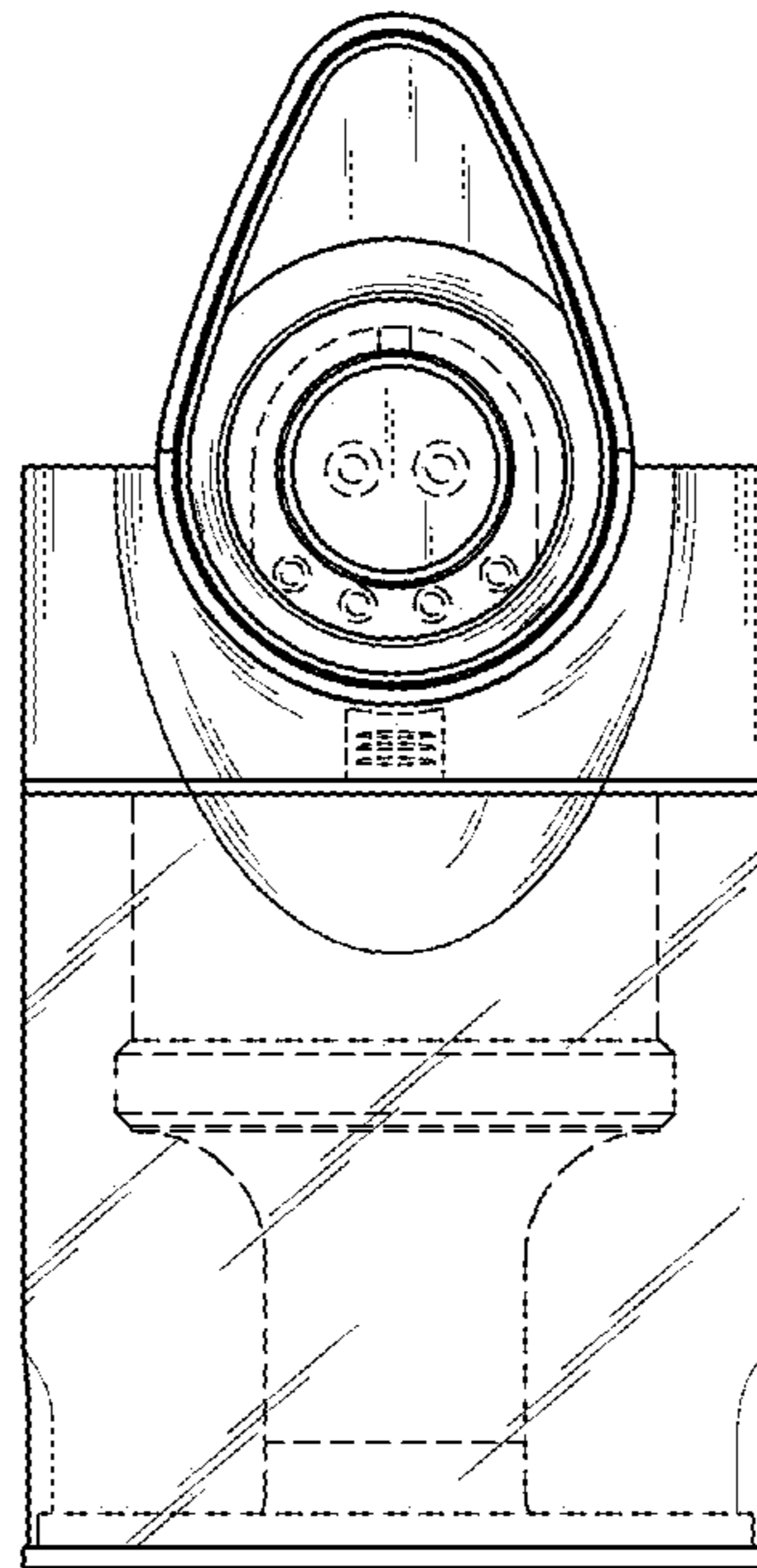
9,711,986 B2 * 7/2017 Sunderland H02J 7/0063
D798,009 S * 9/2017 Salagnac D32/18
D800,980 S * 10/2017 Carter D32/21
9,788,697 B2 * 10/2017 Peace A47L 9/1666
2014/0366306 A1 * 12/2014 Clothier A47L 9/2831
15/319
2015/0155606 A1 * 6/2015 Stickney A47L 9/2884
429/90
2017/0209012 A1 * 7/2017 Peters A47L 9/1683
2017/0296007 A1 * 10/2017 Warren A47L 5/24

* cited by examiner

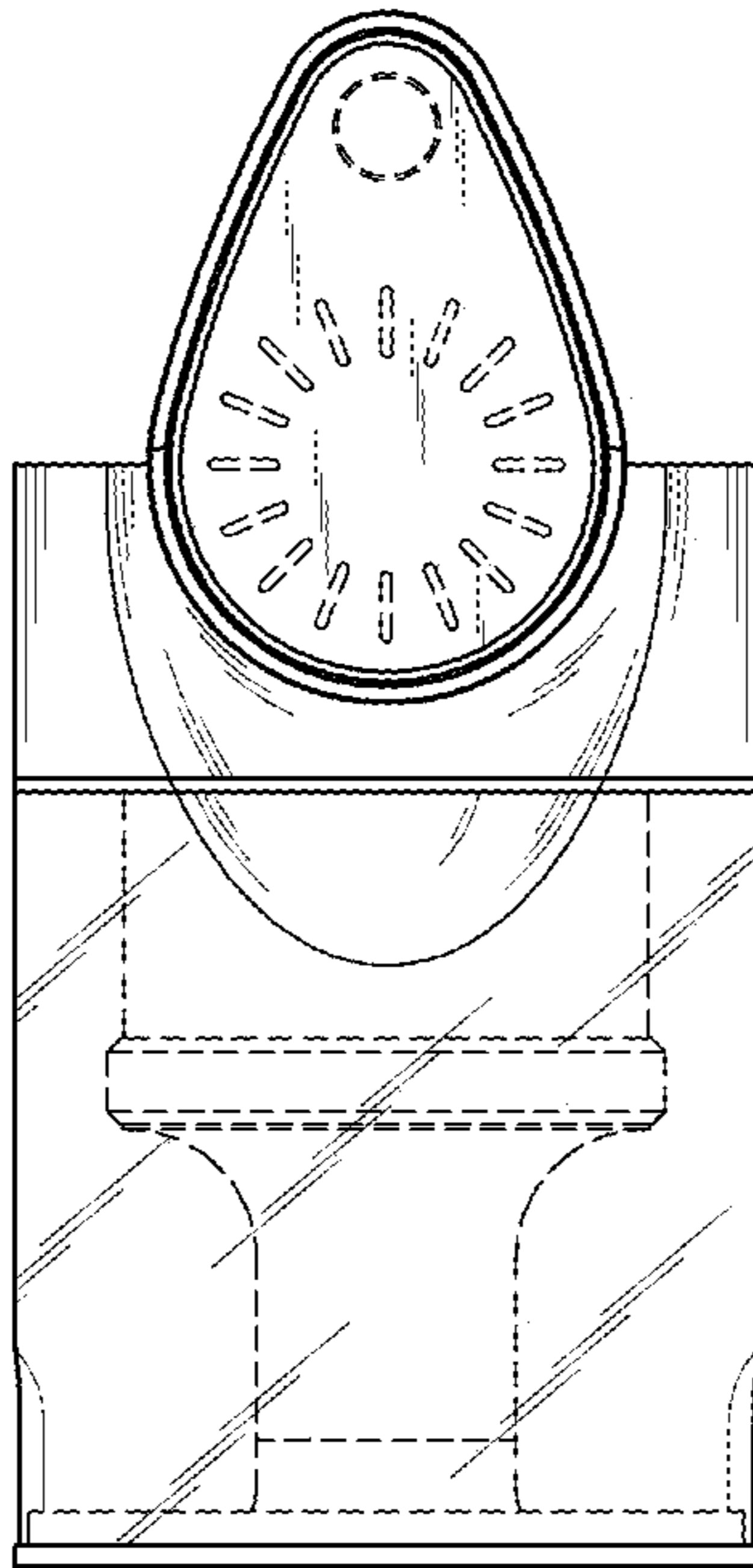
1. 1



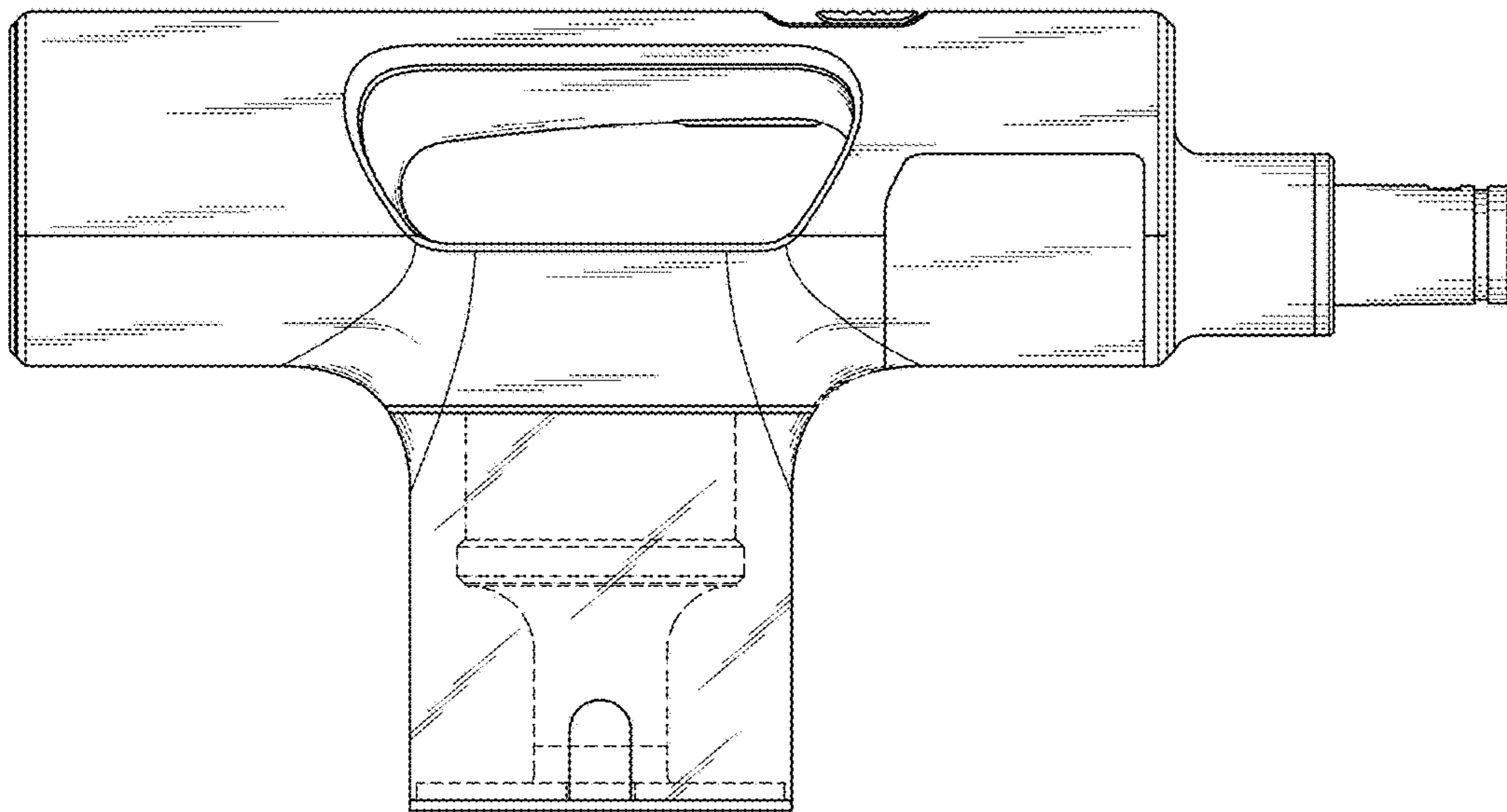
1.2



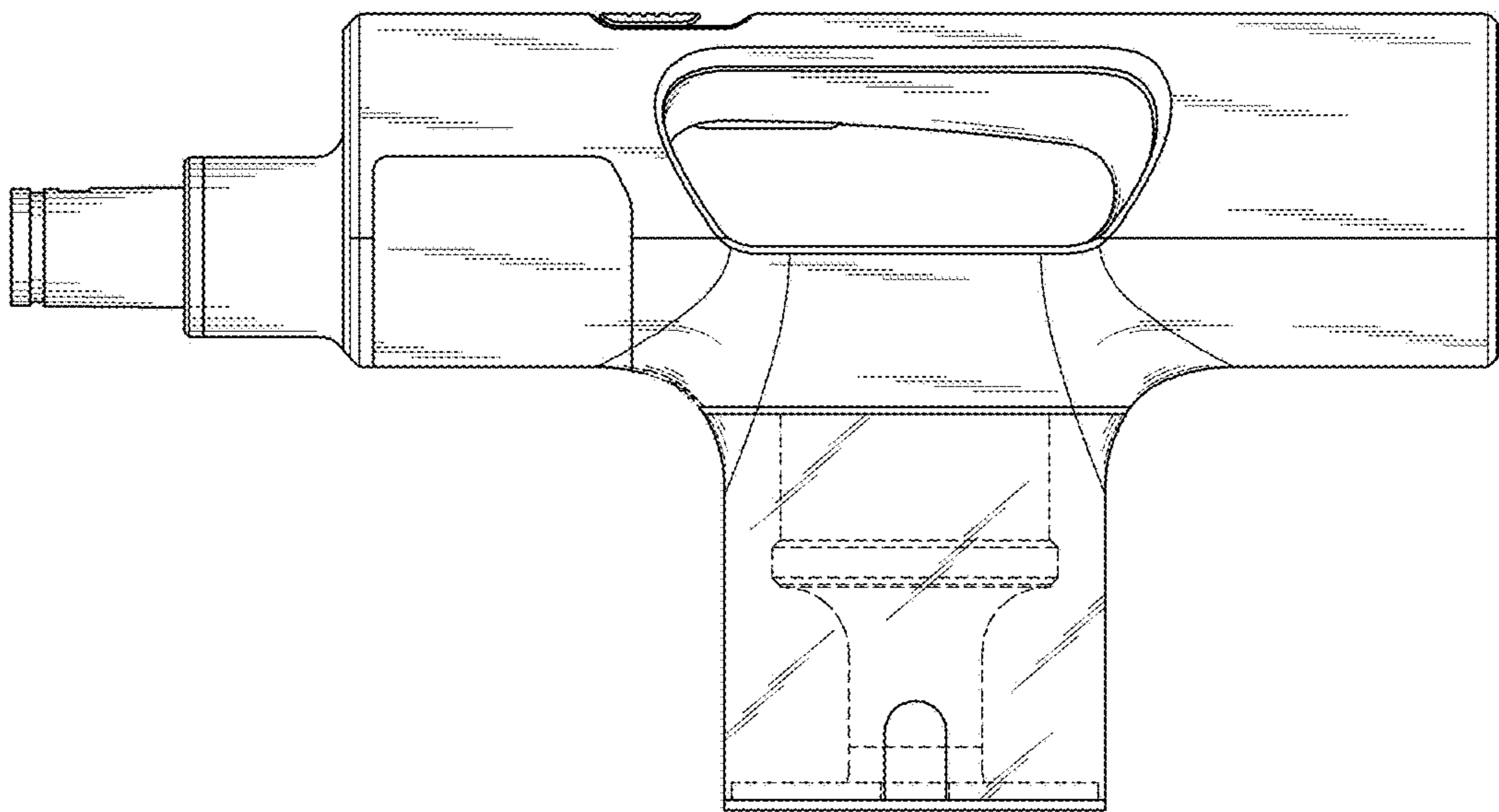
1.3



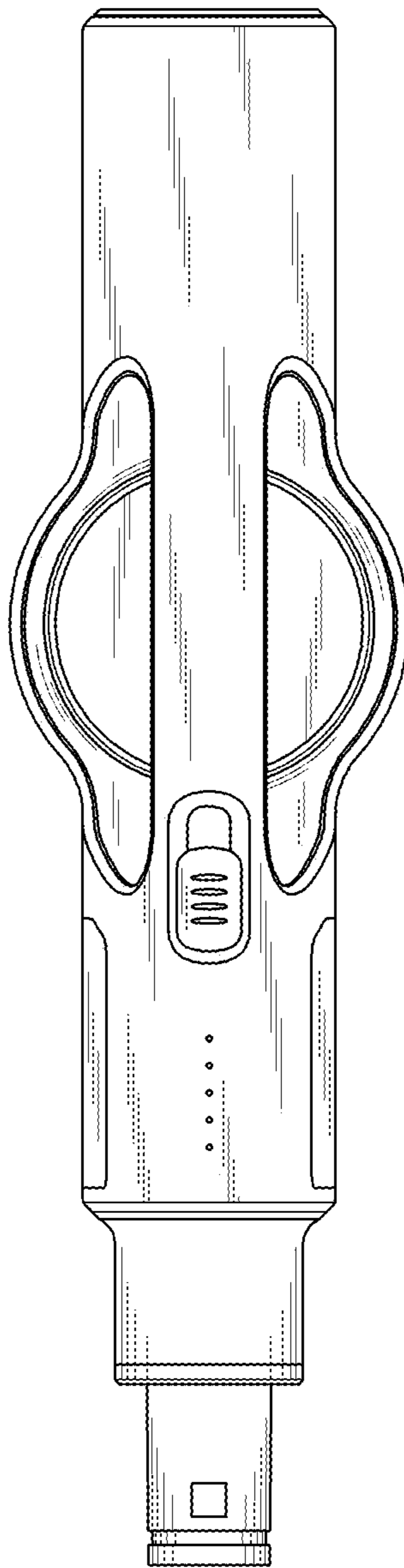
1.4



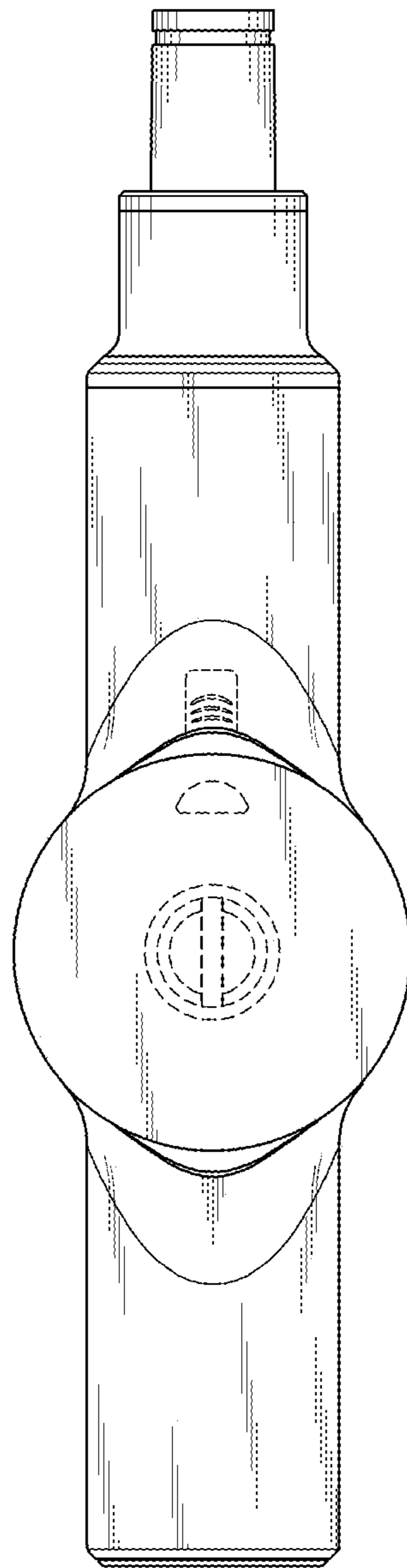
1.5



1. 6



1.7



1. 8

