



US00D818223S

(12) **United States Design Patent** (10) **Patent No.:** **US D818,223 S**  
**Nam et al.** (45) **Date of Patent:** **\*\* May 15, 2018**

(54) **VACUUM CLEANER**  
(71) Applicant: **LG ELECTRONICS INC.,** Seoul (KR)  
(72) Inventors: **Bohyun Nam,** Seoul (KR); **Jinju Kim,** Seoul (KR); **Namhee Kim,** Seoul (KR); **Hyeonjeong An,** Seoul (KR); **Sehwan Bae,** Seoul (KR)  
(73) Assignee: **LG Electronics Inc.,** Seoul (KR)  
(\*\*) Term: **15 Years**

D731,130 S \* 6/2015 Dyson ..... D32/18  
D731,134 S \* 6/2015 Dyson ..... D32/31  
D731,136 S \* 6/2015 Yun ..... D32/34  
D731,720 S \* 6/2015 Gidwell ..... D32/18  
D739,102 S \* 9/2015 Dyson ..... D32/18  
D741,558 S \* 10/2015 Kerr ..... D32/18  
D743,123 S \* 11/2015 Chu ..... D32/18  
D745,231 S \* 12/2015 Niedzwecki ..... D32/18  
D747,571 S \* 1/2016 Dyson ..... D32/18  
D747,572 S \* 1/2016 Kerr ..... D32/18  
D780,387 S \* 2/2017 Bu ..... D32/18  
D781,011 S \* 3/2017 Bu ..... D32/18  
D792,665 S \* 7/2017 Salagnac ..... D32/18  
9,711,986 B2 \* 7/2017 Sunderland ..... H02J 7/0063  
D798,009 S \* 9/2017 Salagnac ..... D32/18  
D800,980 S \* 10/2017 Carter ..... D32/21  
9,788,697 B2 \* 10/2017 Peace ..... A47L 9/1666  
2014/0366306 A1 \* 12/2014 Clothier ..... A47L 9/2831  
15/319

(21) Appl. No.: **35/501,982**  
(22) Filed: **Jun. 1, 2016**

(80) **Hague Agreement Data**  
Int. Filing Date: **Jun. 1, 2016**  
Int. Reg. No.: **DM/091003**  
Int. Reg. Date: **Jun. 1, 2016**  
Int. Reg. Pub. Date: **Dec. 2, 2016**

(30) **Foreign Application Priority Data**  
Dec. 1, 2015 (KR) ..... 30-2015-0060930  
(51) **LOC (11) Cl.** ..... **15-05**  
(52) **U.S. Cl.**  
USPC ..... **D32/18**  
(58) **Field of Classification Search**  
USPC ..... D32/17-18, 21-22, 31, 34  
CPC ..... B32B 3/00  
See application file for complete search history.

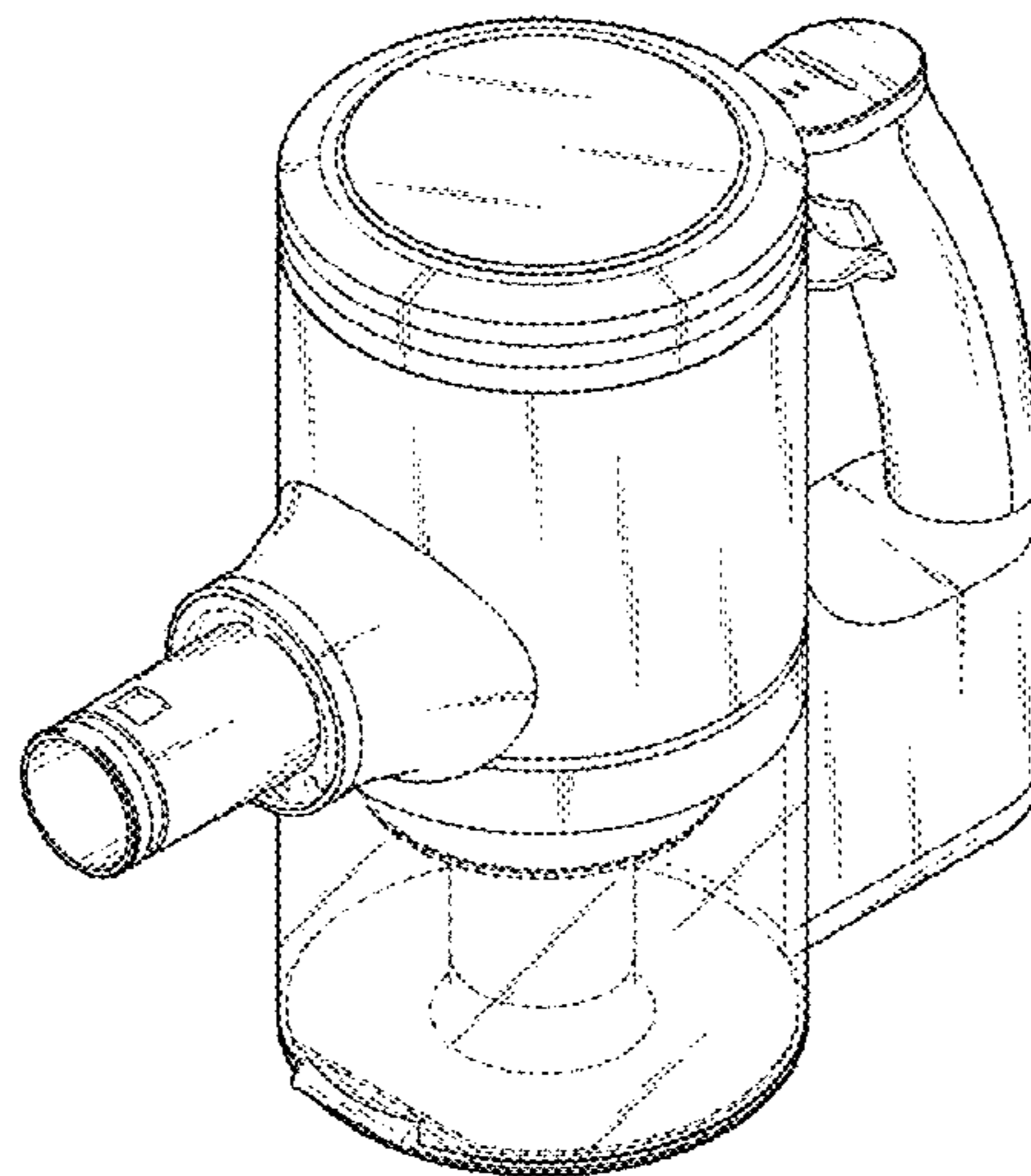
(56) **References Cited**  
U.S. PATENT DOCUMENTS  
D298,875 S \* 12/1988 Nakamura ..... D32/18  
D668,010 S \* 9/2012 Stickney ..... D32/18  
D668,823 S \* 10/2012 Stickney ..... D32/18

(Continued)  
*Primary Examiner* — Darlington Ly  
(74) *Attorney, Agent, or Firm* — Birch, Stewart, Kolasch & Birch, LLP

(57) **CLAIM**  
The ornamental design for a vacuum cleaner, as shown and described.

**DESCRIPTION**  
1. Vacuum cleaner  
1.1 is a top, front, and right side perspective view of a vacuum cleaner showing our new design;  
1.2 is a front elevation view thereof;  
1.3 is a rear elevation view thereof;  
1.4 is a left side elevation view thereof;  
1.5 is a right side elevation view thereof;  
1.6 is a top plan view thereof;  
1.7 is a bottom plan view thereof; and  
1.8 is a top, front, and right side perspective view thereof, wherein exemplary accessory elements are shown attached. The broken lines in the reproductions illustrate portions of the vacuum cleaner that form no part of the claimed design.

**1 Claim, 8 Drawing Sheets**



(56)

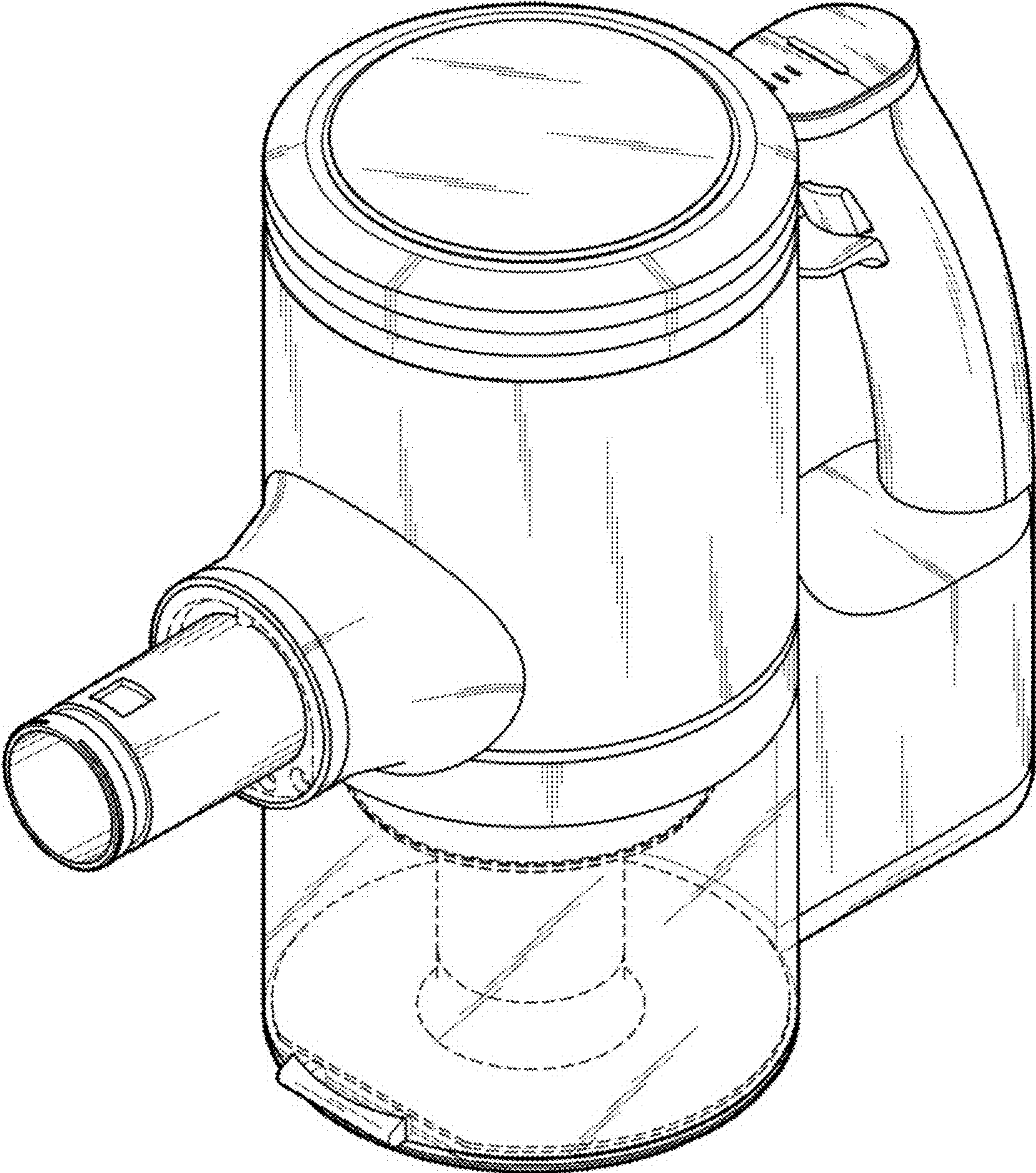
**References Cited**

U.S. PATENT DOCUMENTS

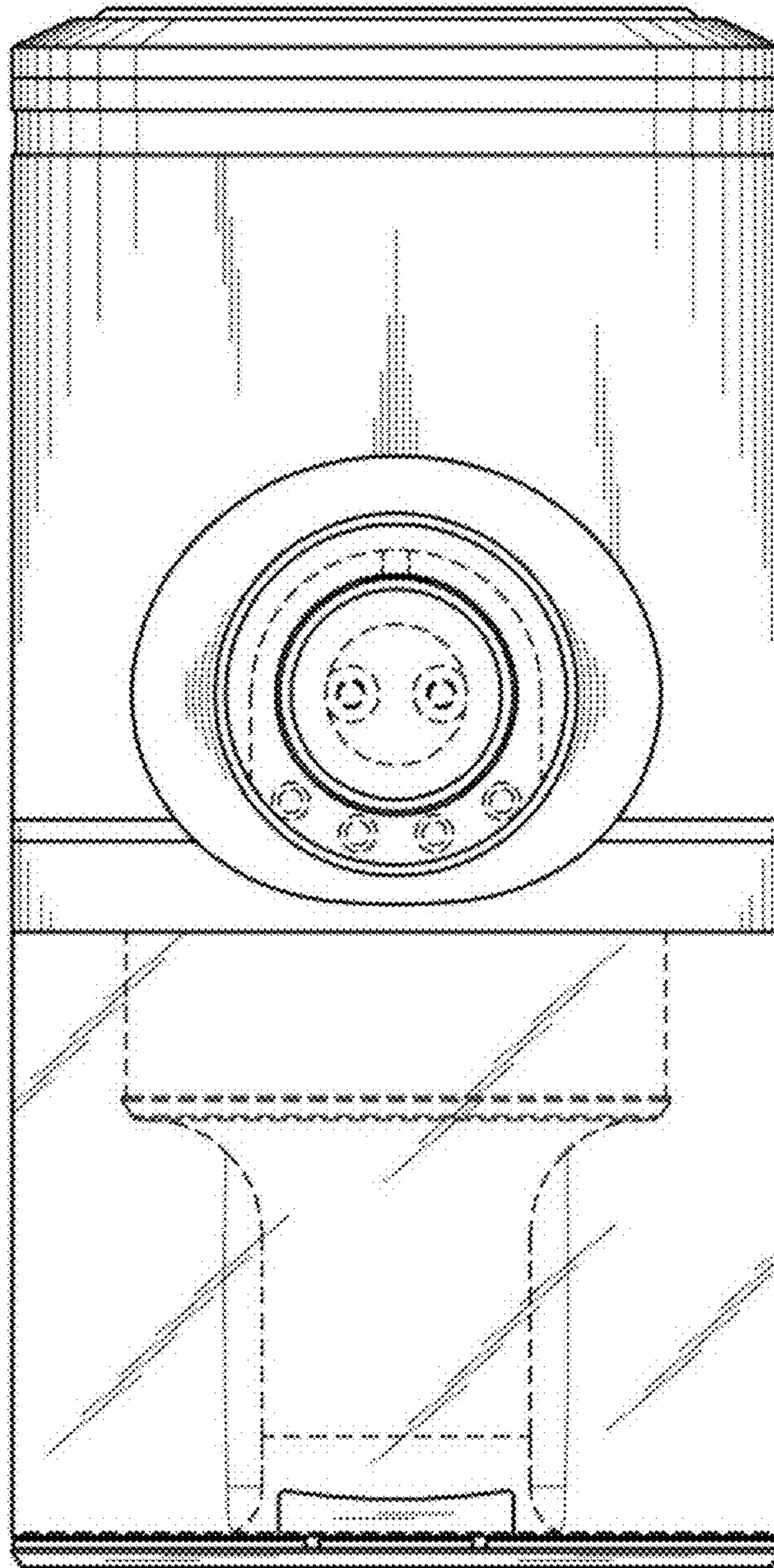
2015/0155606 A1\* 6/2015 Stickney ..... A47L 9/2884  
429/90  
2017/0209012 A1\* 7/2017 Peters ..... A47L 9/1683  
2017/0296007 A1\* 10/2017 Warren ..... A47L 5/24

\* cited by examiner

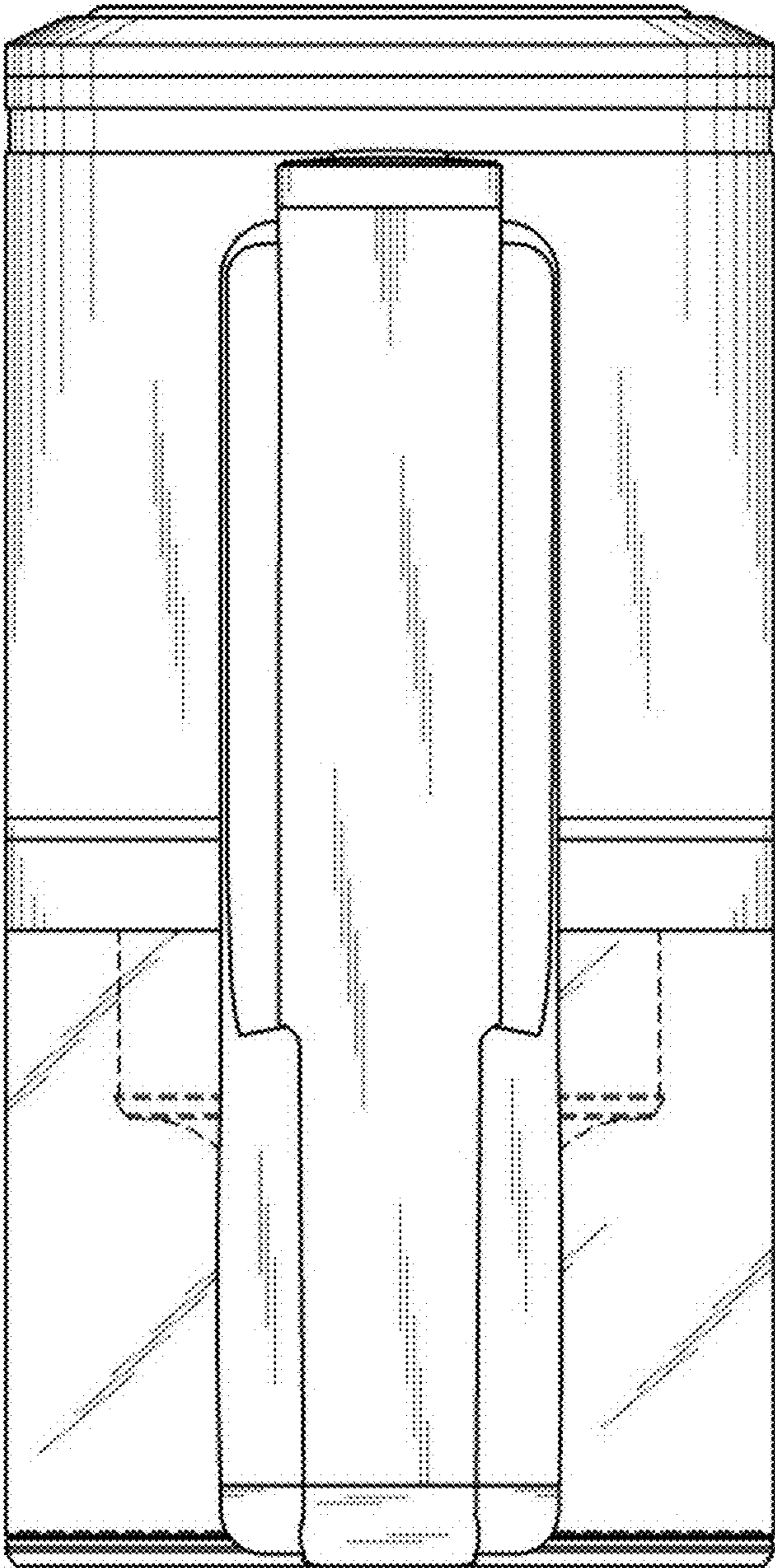
1.1



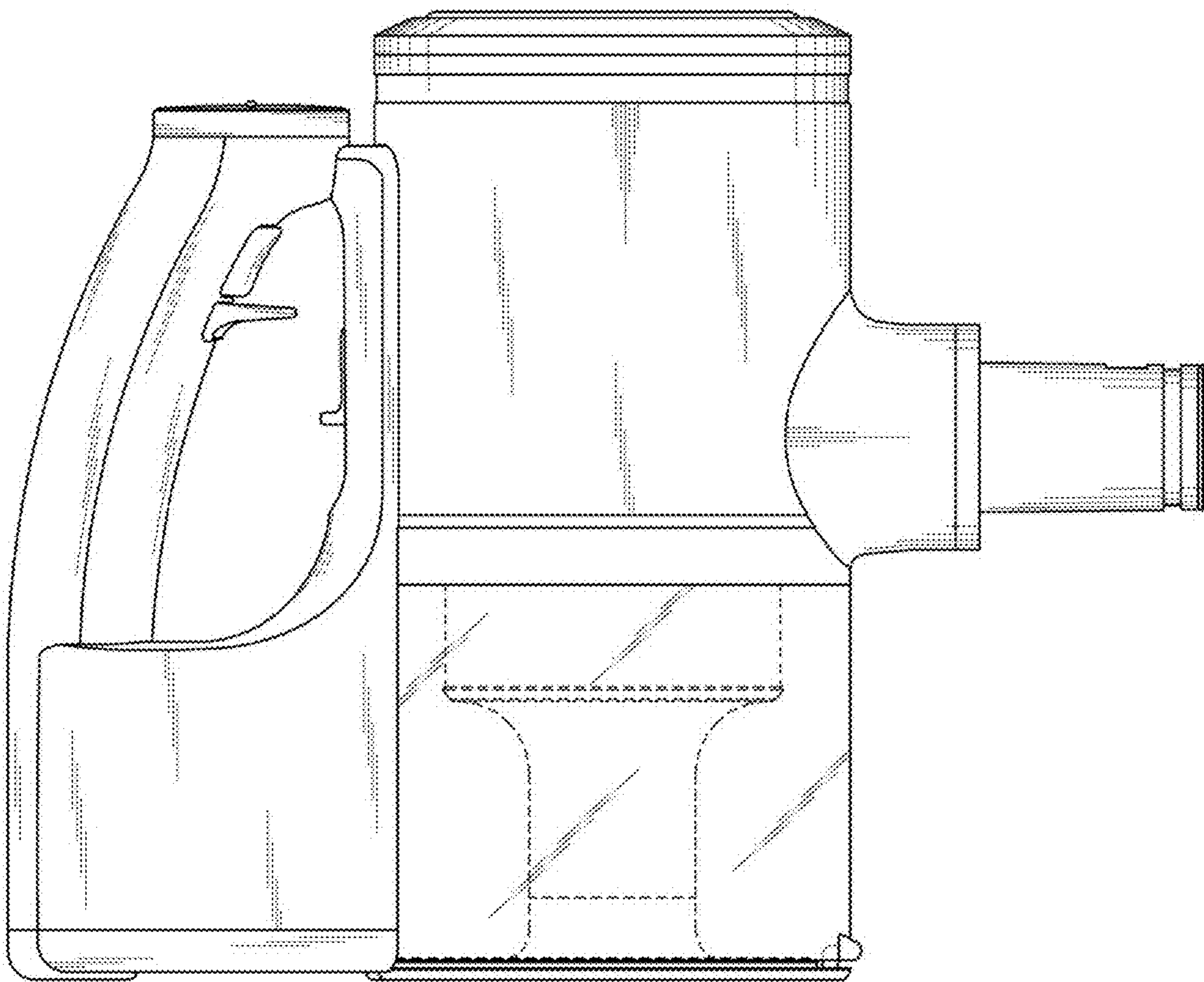
1.2



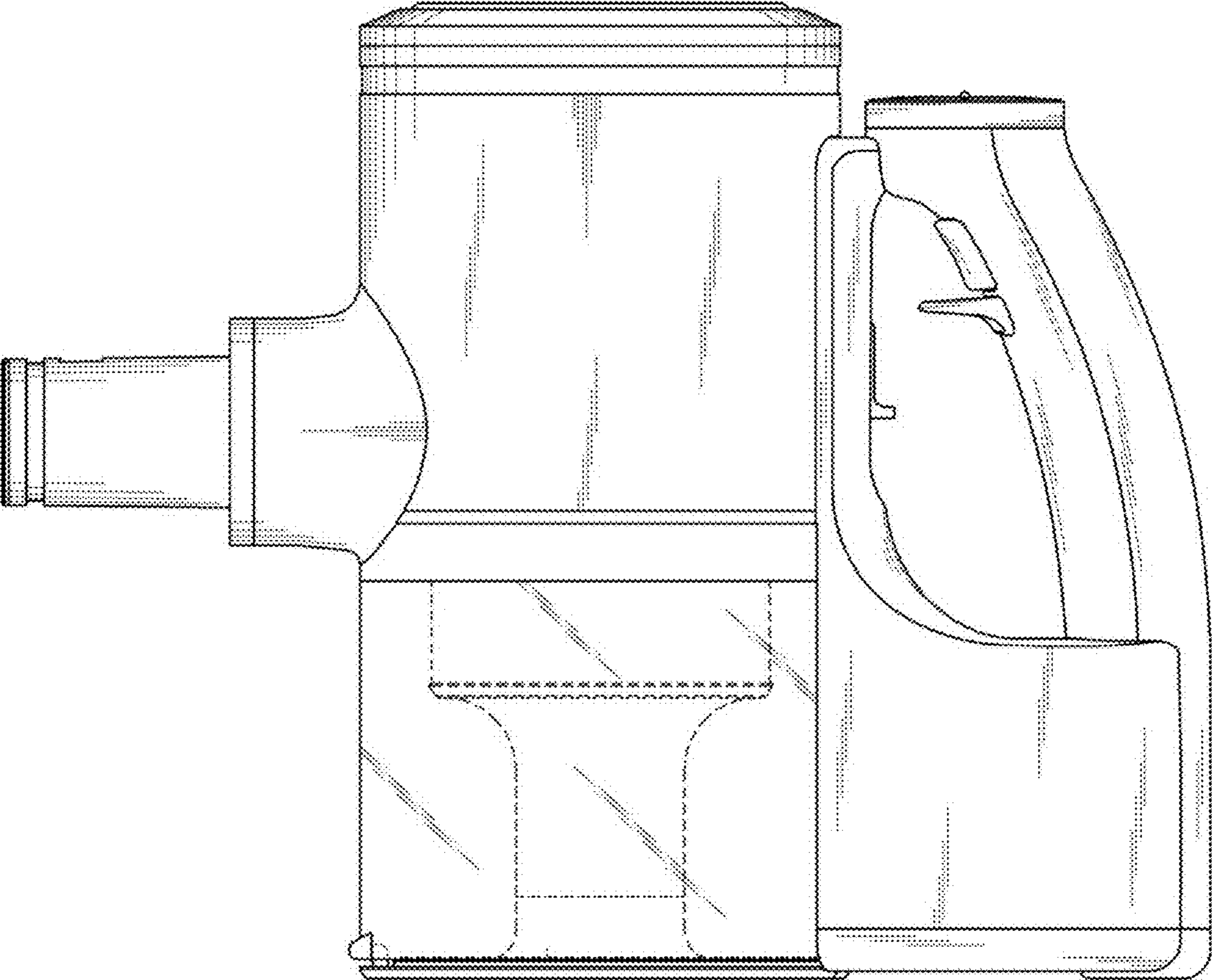
1.3



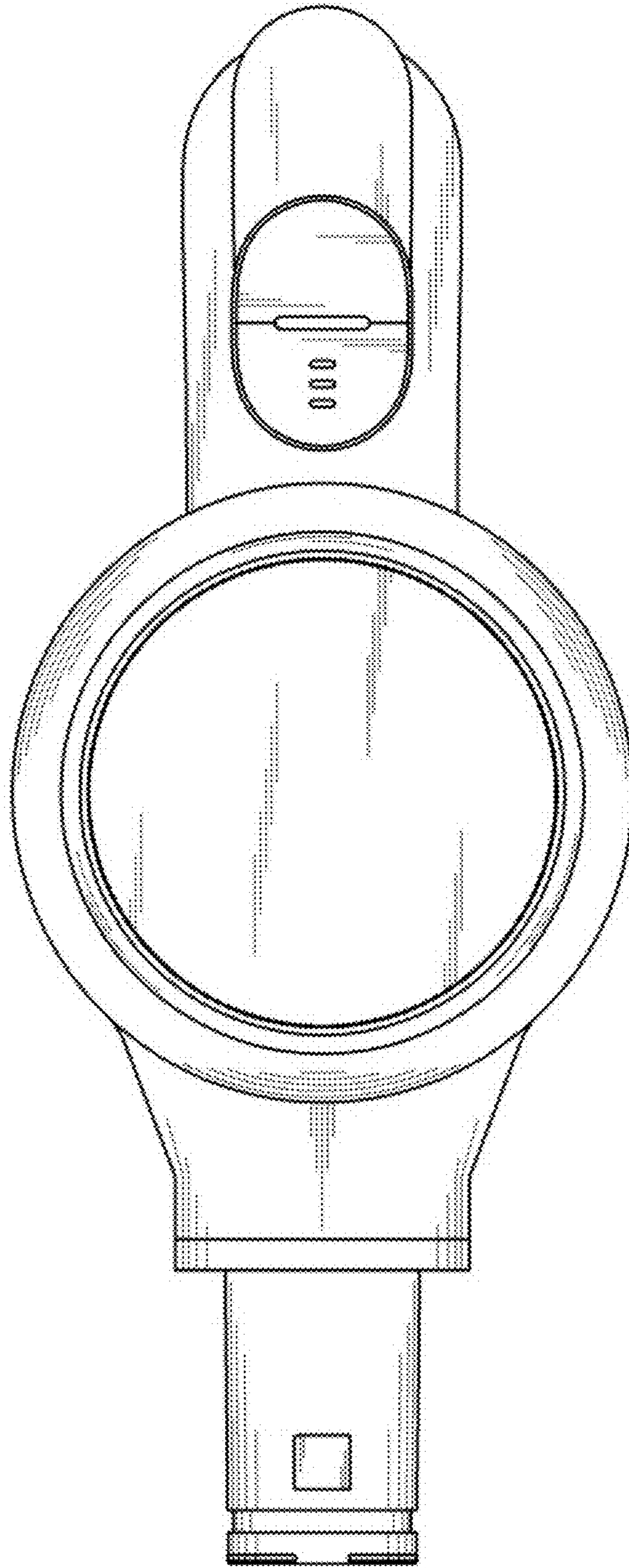
1.4



1.5

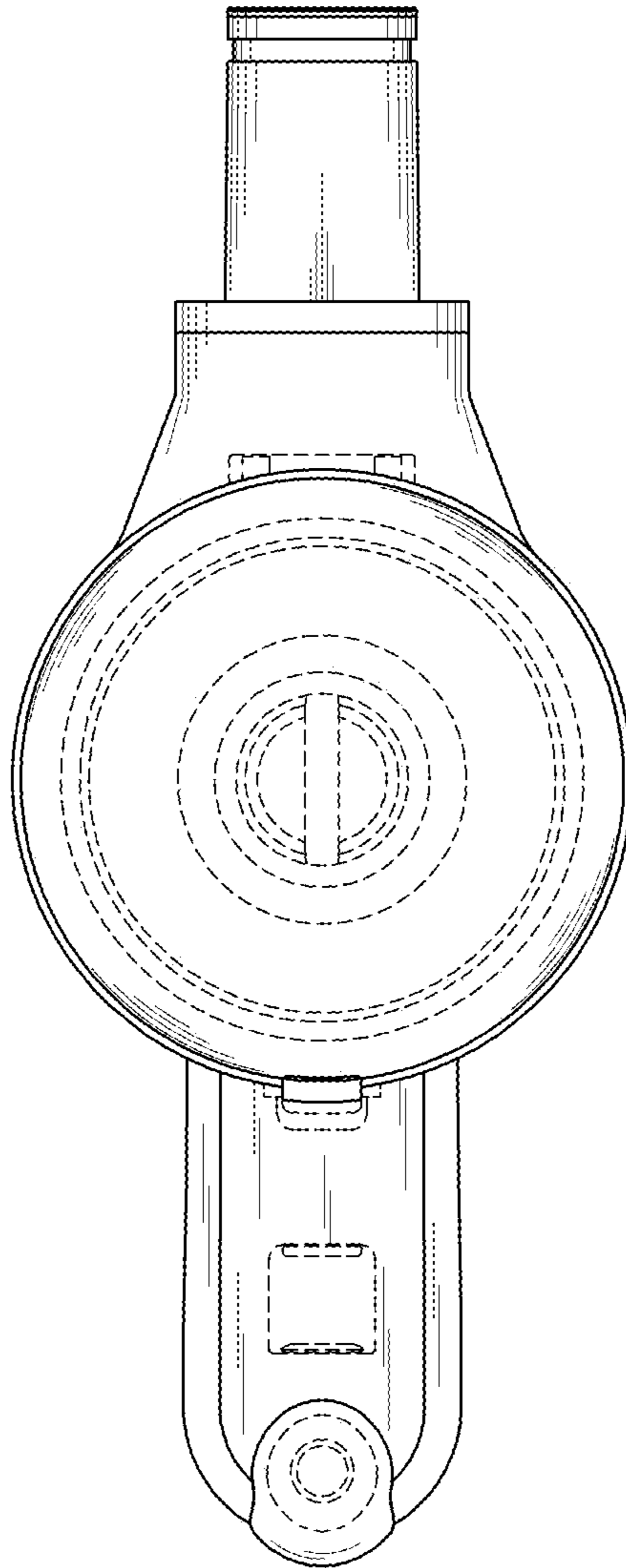


1.6





*1.7*



1.8

