



US00D818220S

(12) **United States Design Patent**
Yoo et al.

(10) **Patent No.:** **US D818,220 S**
(45) **Date of Patent:** **** May 15, 2018**

(54) **WASHING MACHINE**
(71) Applicant: **LG ELECTRONICS INC.**, Seoul (KR)
(72) Inventors: **Taewoo Yoo**, Seoul (KR); **Junghwan Lee**, Seoul (KR); **Kyungah Lee**, Seoul (KR); **Hyewon Kim**, Seoul (KR); **Jeaseok Seong**, Seoul (KR)
(73) Assignee: **LG Electronics Inc.**, Seoul (KR)
(**) Term: **15 Years**

D460,588 S * 7/2002 Son D32/6
7,296,443 B2 * 11/2007 Usherovich D06F 39/14
312/228.1
7,913,419 B2 * 3/2011 Tomasi D06F 29/00
211/85.3
D704,907 S * 5/2014 Yoo D32/6
D709,657 S * 7/2014 Shin D32/25
D711,605 S * 8/2014 Jo D32/25
9,315,934 B2 * 4/2016 Kim D06F 29/00
9,340,915 B2 * 5/2016 Kim D06F 29/00
D760,454 S * 6/2016 Joo D32/6
D783,212 S * 4/2017 Jeon D32/6
D783,213 S * 4/2017 Jeon D32/6
D783,214 S * 4/2017 Jeon D32/6

(Continued)

(21) Appl. No.: **35/502,047**

Primary Examiner — Richard E Chilcot

(22) Filed: **Jun. 3, 2016**

(74) *Attorney, Agent, or Firm* — Birch, Stewart, Kolasch & Birch, LLP

(80) **Hague Agreement Data**

Int. Filing Date: **Jun. 3, 2016**
Int. Reg. No.: **DM/092215**
Int. Reg. Date: **Jun. 3, 2016**
Int. Reg. Pub. Date: **Dec. 9, 2016**

(57) **CLAIM**

The ornamental design for a washing machine, as shown and described.

(30) **Foreign Application Priority Data**

DESCRIPTION

Dec. 3, 2015 (KR) 30-2015-0061623

(51) **LOC (11) Cl.** **15-05**

(52) **U.S. Cl.**

USPC **D32/6; D32/25**

CPC **D06F 17/04 (2013.01)**

(58) **Field of Classification Search**

USPC D32/1-11, 25-29; 68/11, 13 R, 27, 29, 68/203 R

CPC D06F 17/04; D06F 37/02; D06F 37/0812; D06F 37/145; D06F 31/00; B08B 3/12

See application file for complete search history.

1. Washing machine

1.1 is a perspective view of a washing machine showing our new design;

1.2 is a front elevation view thereof;

1.3 is a rear elevation view thereof;

1.4 is a left-side elevation view thereof;

1.5 is a right-side elevation view thereof;

1.6 is a top plan view thereof;

1.7 is a bottom plan view thereof; and

1.8 is a partially enlarged view of a detergent dispenser shown in **1.1**.

The evenly-spaced broken lines in the drawing figures are included for the purpose of illustrating environment and form no part of the claimed design.

The dot-dash broken line circle in **1.8** is included to show a partially enlarged view only and forms no part of the claimed design.

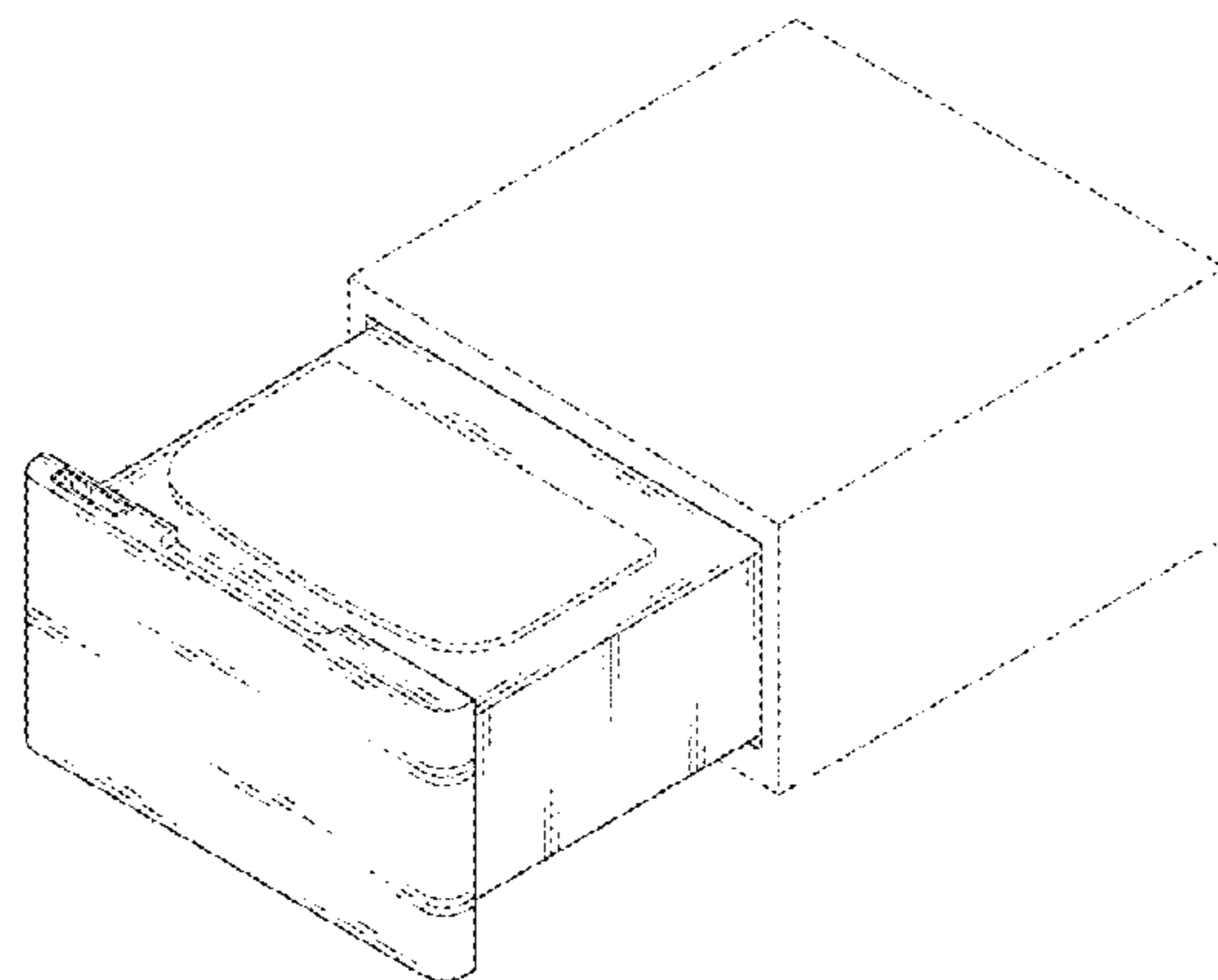
(56) **References Cited**

U.S. PATENT DOCUMENTS

3,026,699 A * 3/1962 Rhodes D06F 29/00
68/12.19

5,253,493 A * 10/1993 Ohashi D06F 39/14
220/812

1 Claim, 8 Drawing Sheets



(56)

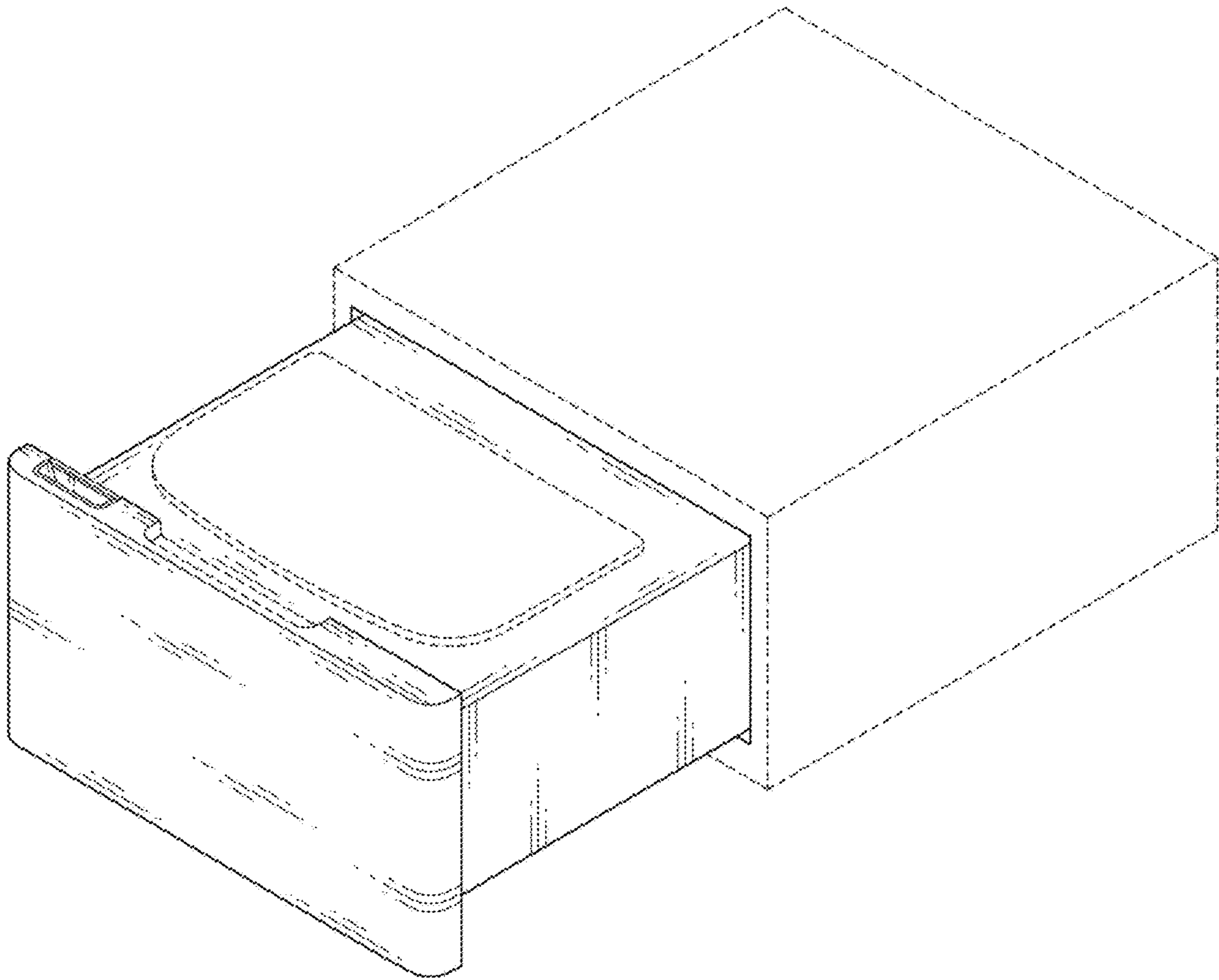
References Cited

U.S. PATENT DOCUMENTS

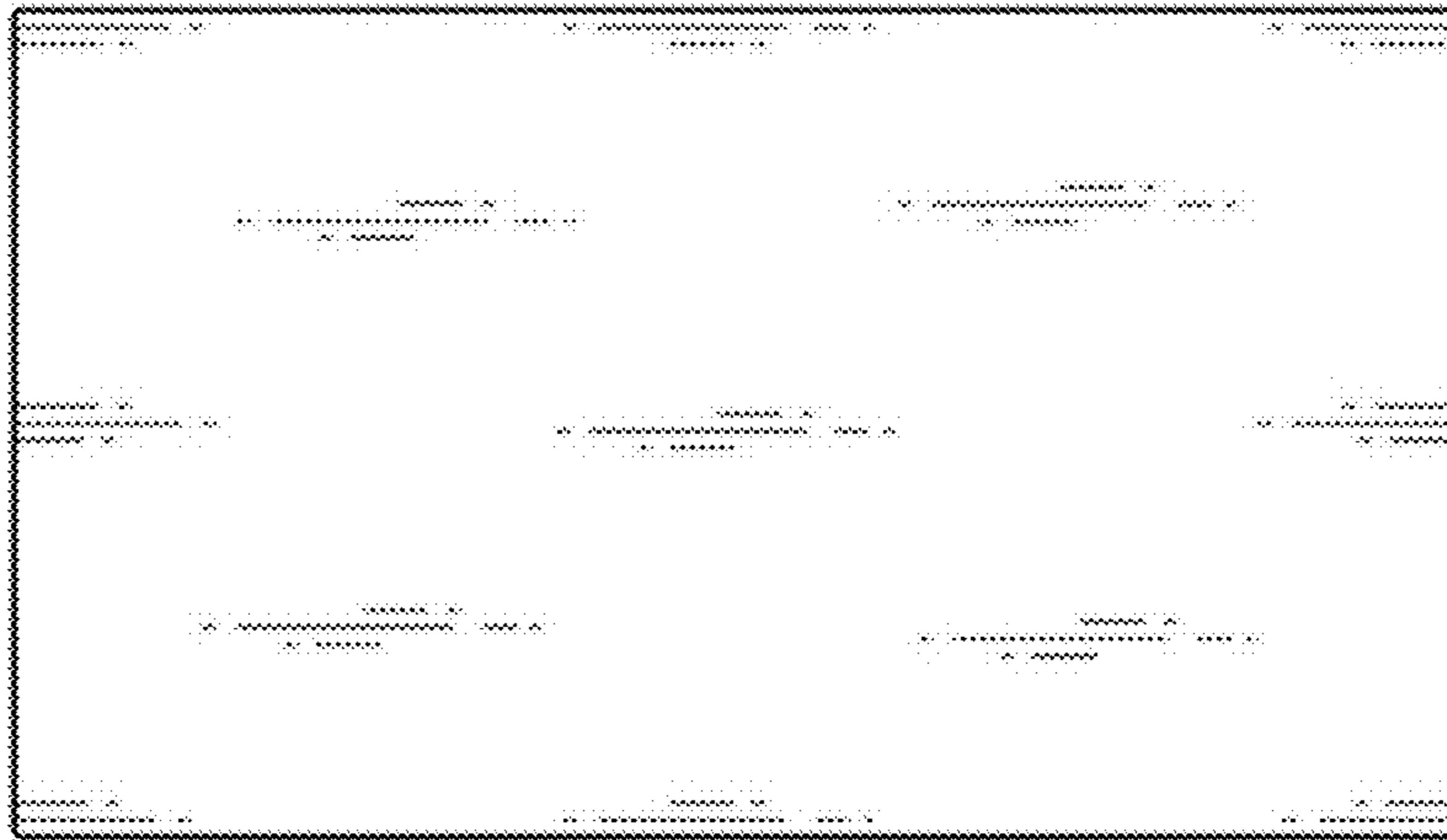
D784,637 S *	4/2017	Kim	D32/25
D788,385 S *	5/2017	Jeon	D32/6
D792,035 S *	7/2017	Chung	D32/6
D794,265 S *	8/2017	Chung	D32/6

* cited by examiner

1.1



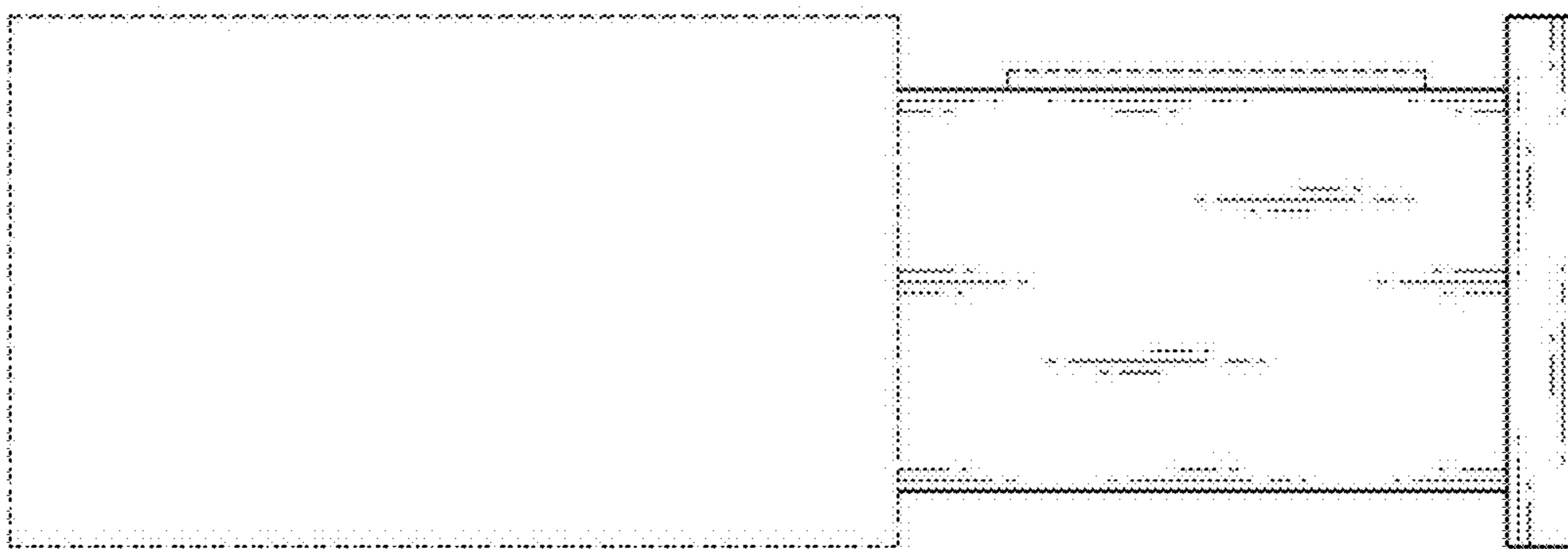
1.2

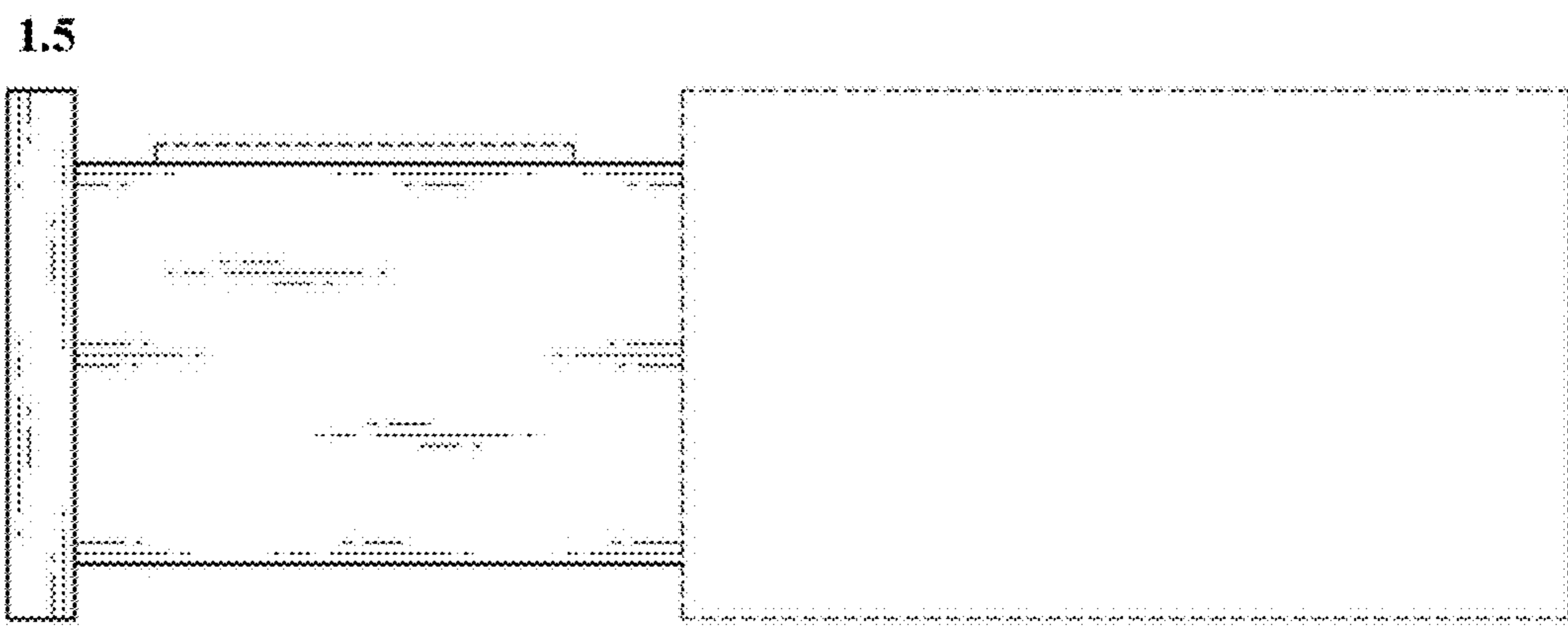


1.3

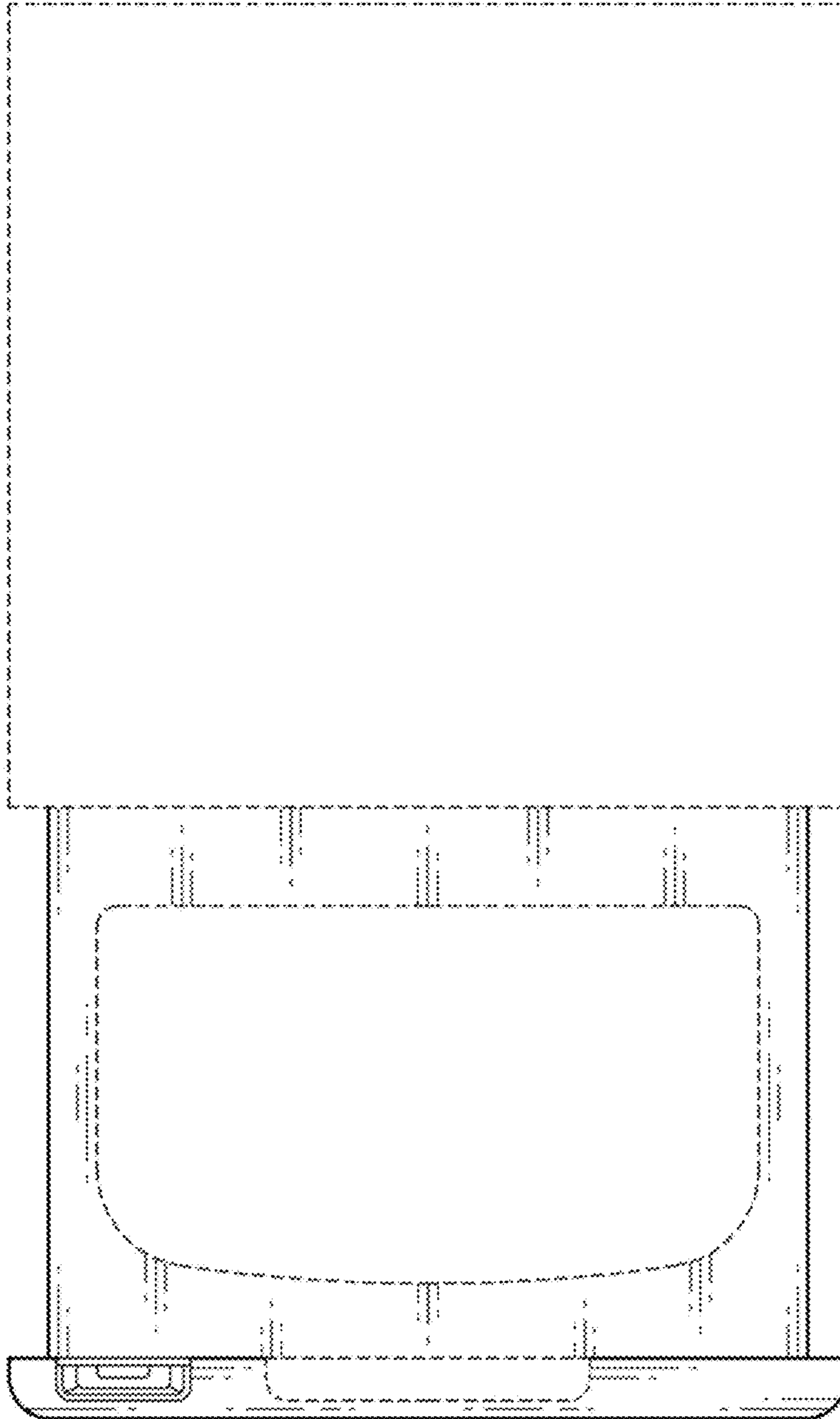


1.4

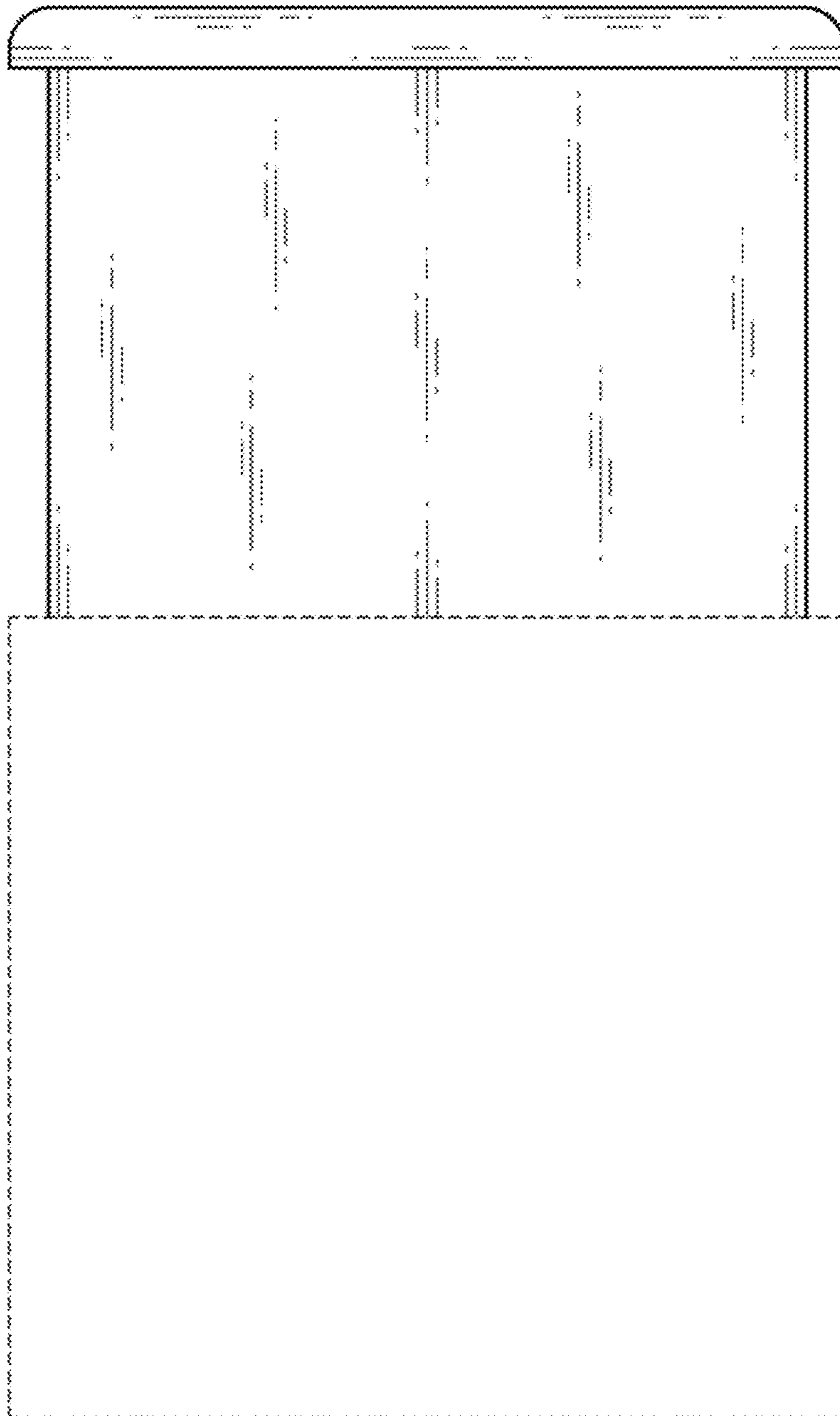




1.6



1.7



1.8

