



US00D818216S

(12) **United States Design Patent** (10) **Patent No.:** **US D818,216 S**
Yoo et al. (45) **Date of Patent:** **** May 15, 2018**

(54) **WASHING MACHINE EQUIPPED WITH FAUCET AND WASHBASIN**

CPC D06F 17/04; D06F 37/02; D06F 37/0812; D06F 37/145; D06F 31/00; B08B 3/12
See application file for complete search history.

(71) Applicant: **LG ELECTRONICS INC.**, Seoul (KR)

(56) **References Cited**

U.S. PATENT DOCUMENTS

(72) Inventors: **Taewoo Yoo**, Seoul (KR); **Junghwan Lee**, Seoul (KR); **Kyungah Lee**, Seoul (KR); **Hyewon Kim**, Seoul (KR); **Jeaseok Seong**, Seoul (KR)

3,026,699	A *	3/1962	Rhodes	D06F 29/00
					68/12.19
5,253,493	A *	10/1993	Ohashi	D06F 39/14
					220/812
D460,588	S *	7/2002	Son	D32/6
7,296,443	B2 *	11/2007	Usherovich	D06F 39/14
					312/228.1
7,913,419	B2 *	3/2011	Tomasi	D06F 29/00
					211/85.3
D704,907	S *	5/2014	Yoo	D32/6
D709,657	S *	7/2014	Shin	D32/25
D711,605	S *	8/2014	Jo	D32/25
9,315,934	B2 *	4/2016	Kim	D06F 29/00
9,340,915	B2 *	5/2016	Kim	D06F 29/00
D760,454	S *	6/2016	Joo	D32/6
D783,212	S *	4/2017	Jeon	D32/6

(73) Assignee: **LG ELECTRONICS INC.**, Seoul (KR)

(**) Term: **15 Years**

(21) Appl. No.: **35/502,044**

(22) Filed: **Jun. 9, 2016**

(Continued)

(80) **Hague Agreement Data**

Int. Filing Date: **Jun. 9, 2016**
Int. Reg. No.: **DM/092005**
Int. Reg. Date: **Jun. 9, 2016**
Int. Reg. Pub. Date: **Dec. 9, 2016**

Primary Examiner — Richard E Chilcot

(74) *Attorney, Agent, or Firm* — Birch, Stewart, Kolasch & Birch, LLP

(57) **CLAIM**

The ornamental design for a washing machine equipped with faucet and washbasin, as shown and described.

DESCRIPTION

(30) **Foreign Application Priority Data**

Dec. 11, 2015 (KR) 30-2015-0063422

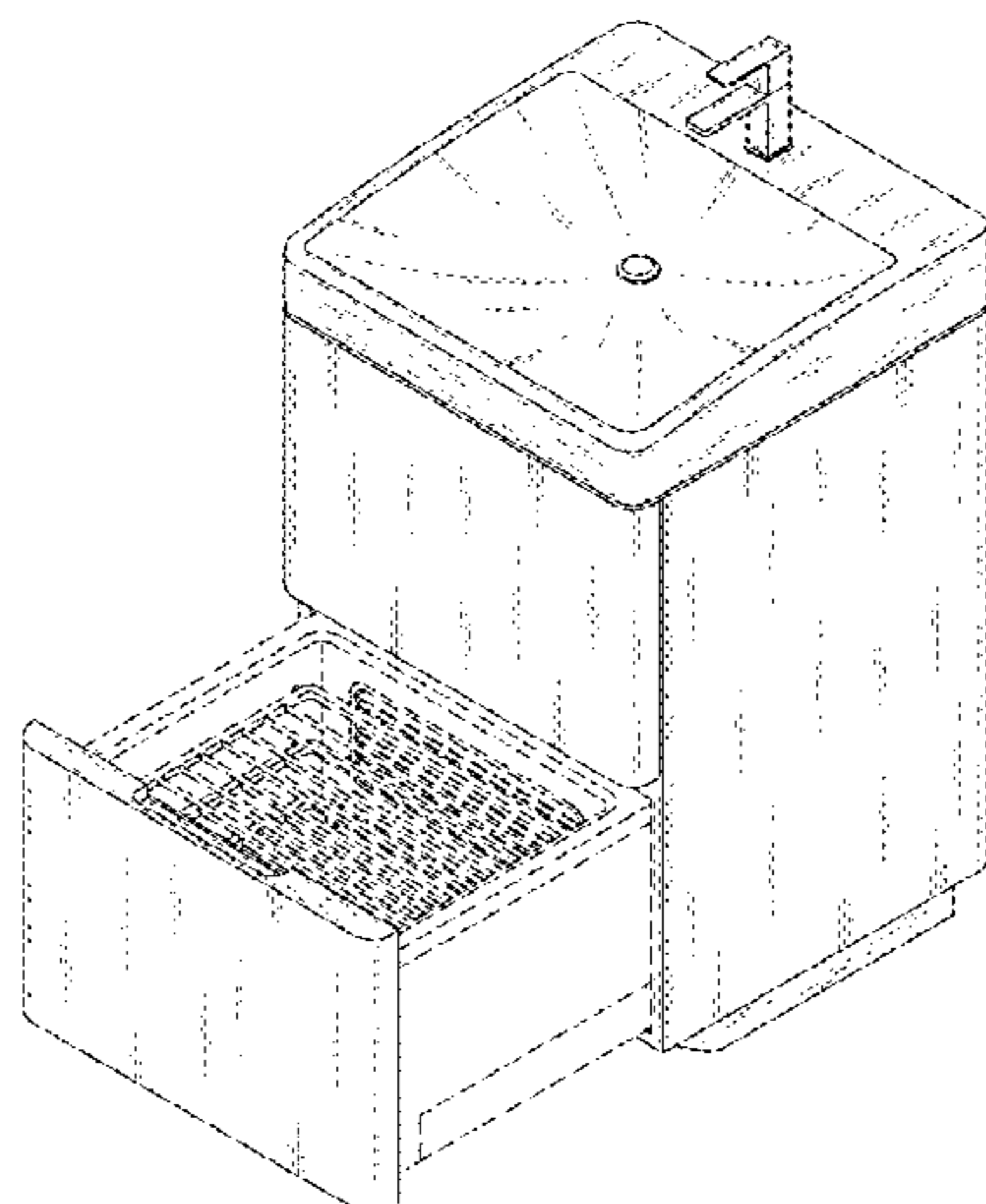
(51) **LOC (11) Cl.** **15-05**

(52) **U.S. Cl.**
USPC **D32/1**
CPC **D06F 17/04** (2013.01)

(58) **Field of Classification Search**
USPC D32/1-11, 25, 29; 68/11, 27, 29, 13 R, 68/203 R

1. Washing machine equipped with faucet and washbasin
- 1.1 is a perspective view of a washing machine equipped with faucet and washbasin showing our new design;
- 1.2 is a front elevation view thereof;
- 1.3 is a rear elevation view thereof;
- 1.4 is a left-side elevation view thereof;
- 1.5 is a right-side elevation view thereof;
- 1.6 is a top plan view thereof;
- 1.7 is a bottom plan view thereof;
- 1.8 is another perspective view thereof, showing a combined lower washer in an open position; and

(Continued)



1.9 is another perspective view thereof, showing a combined lower dryer in an open position.

The broken lines in the drawing figures are included for the purpose of illustrating environment and form no part of the claimed design.

1 Claim, 9 Drawing Sheets

(56)

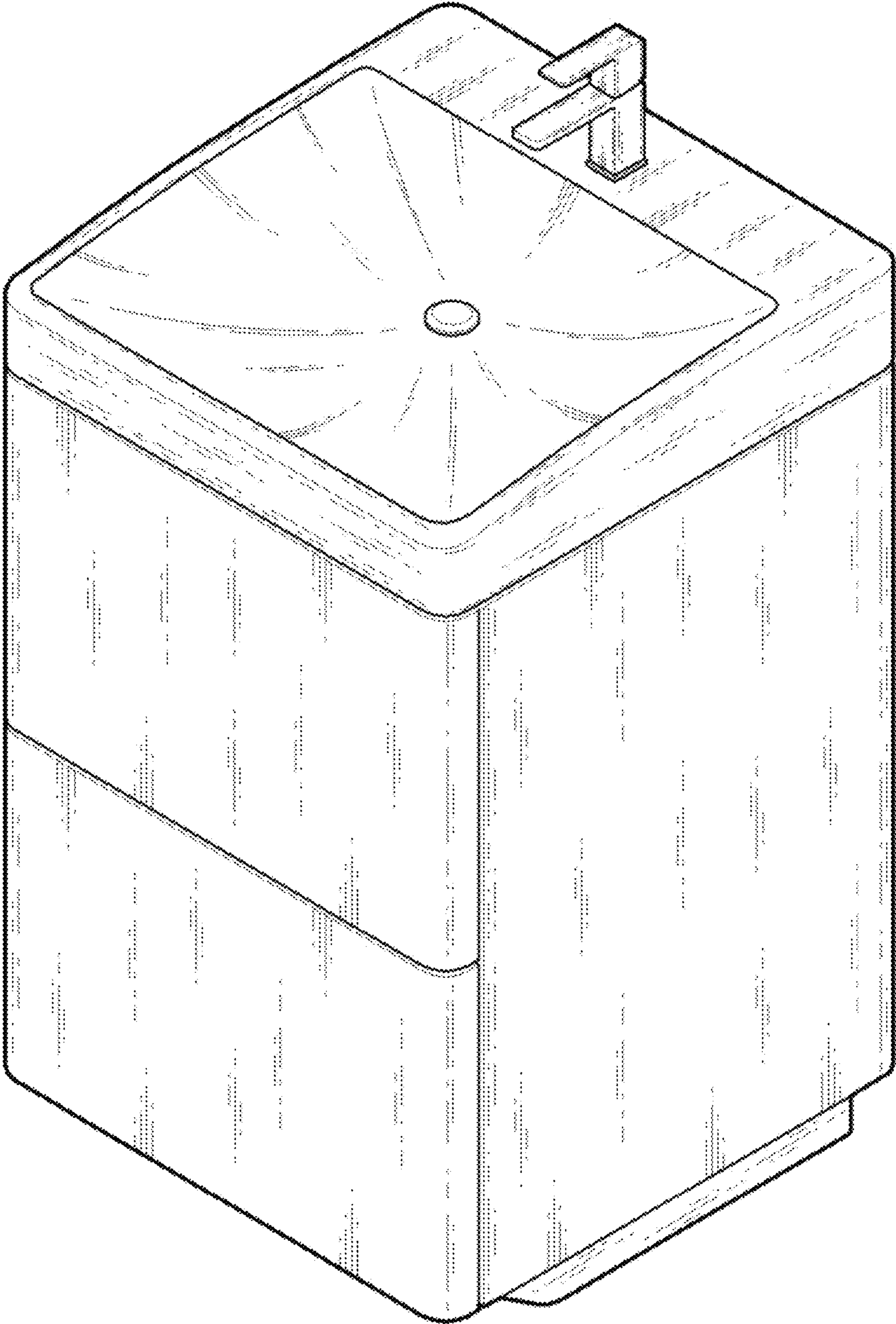
References Cited

U.S. PATENT DOCUMENTS

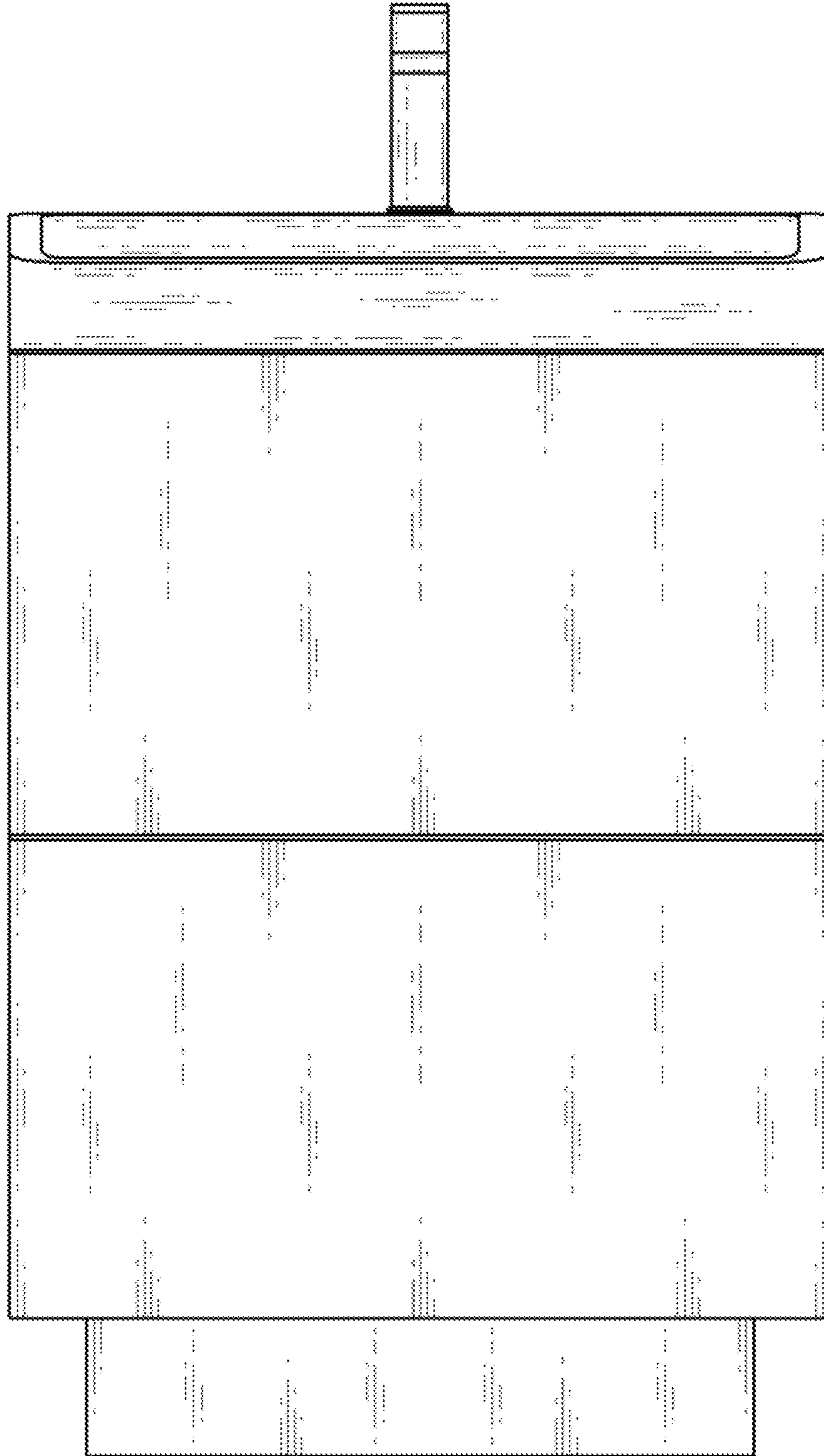
D783,213 S *	4/2017	Jeon	D32/6
D783,214 S *	4/2017	Jeon	D32/6
D784,637 S *	4/2017	Kim	D32/25
D788,385 S *	5/2017	Jeon	D32/6
D792,035 S *	7/2017	Chung	D32/6
D794,265 S *	8/2017	Chung	D32/6

* cited by examiner

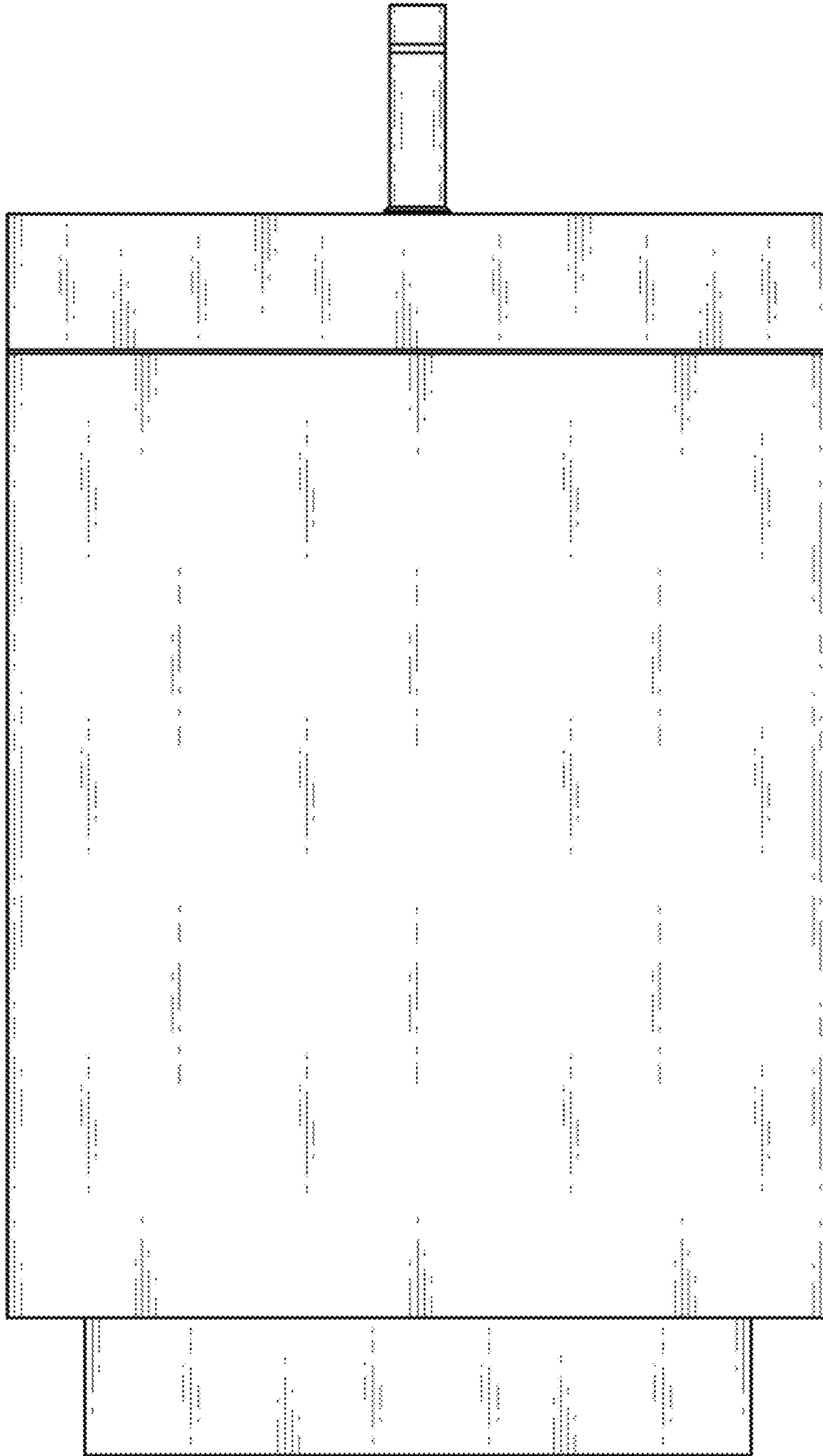
1.1



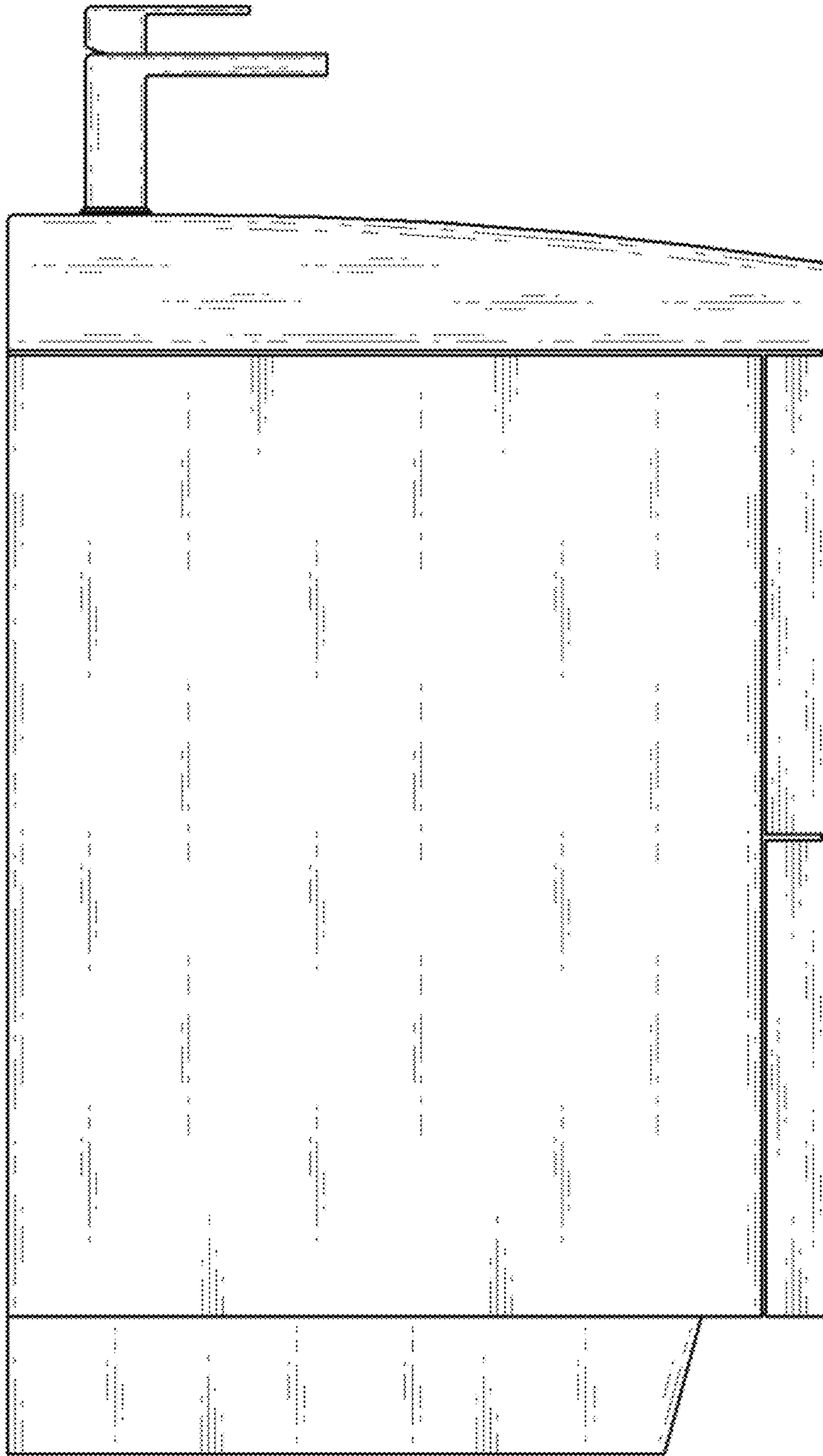
1.2



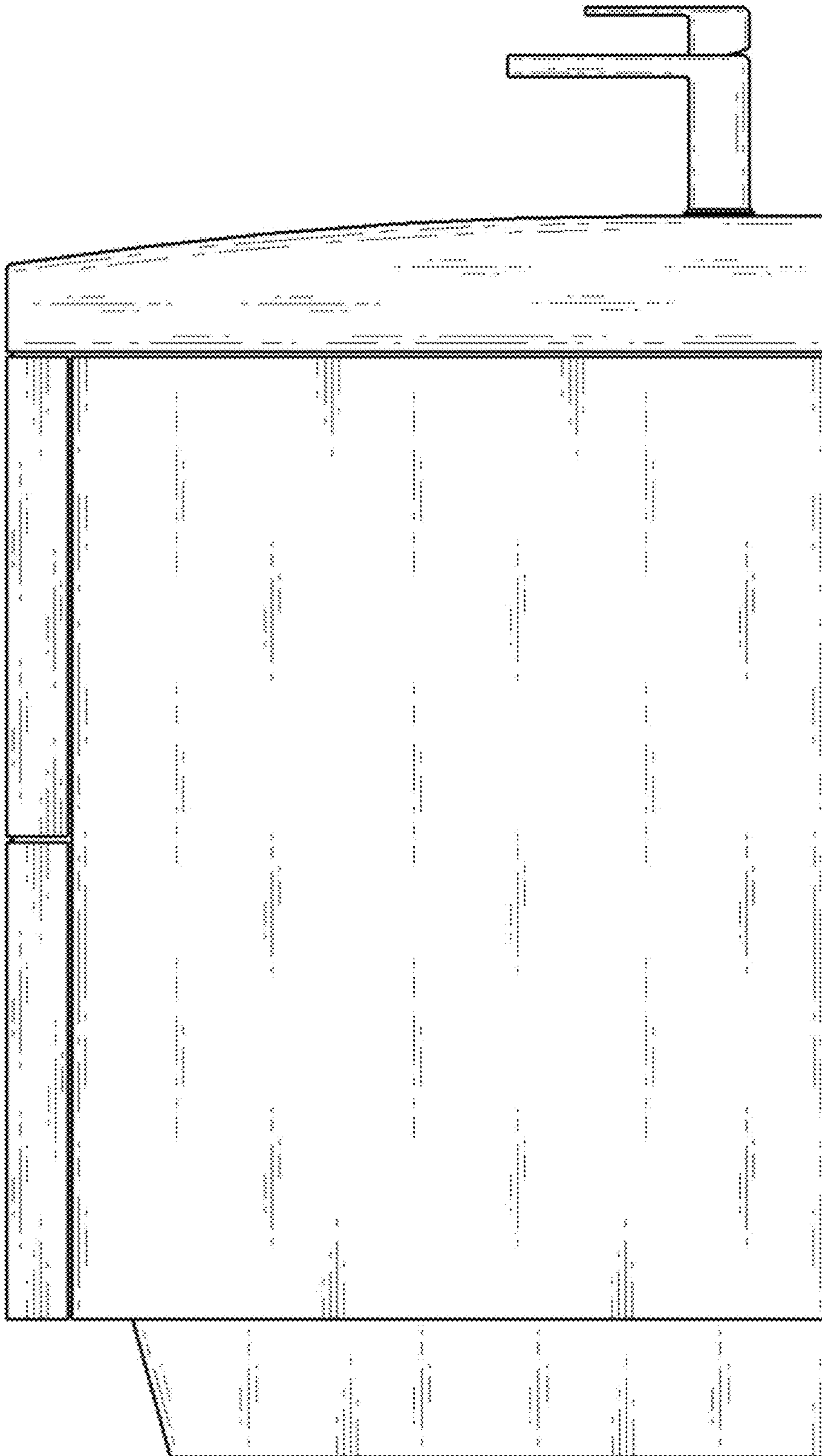
1.3



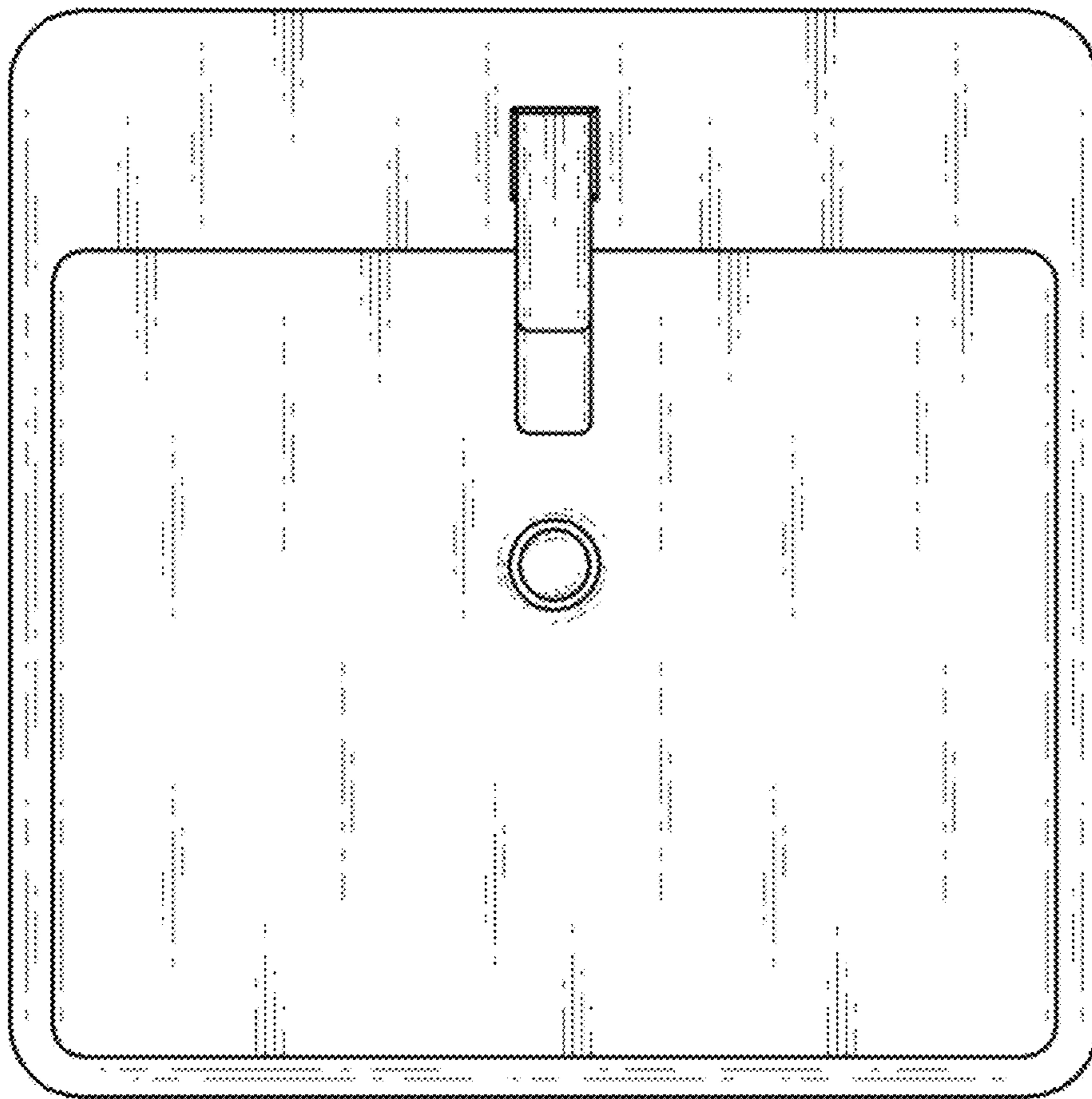
1.4



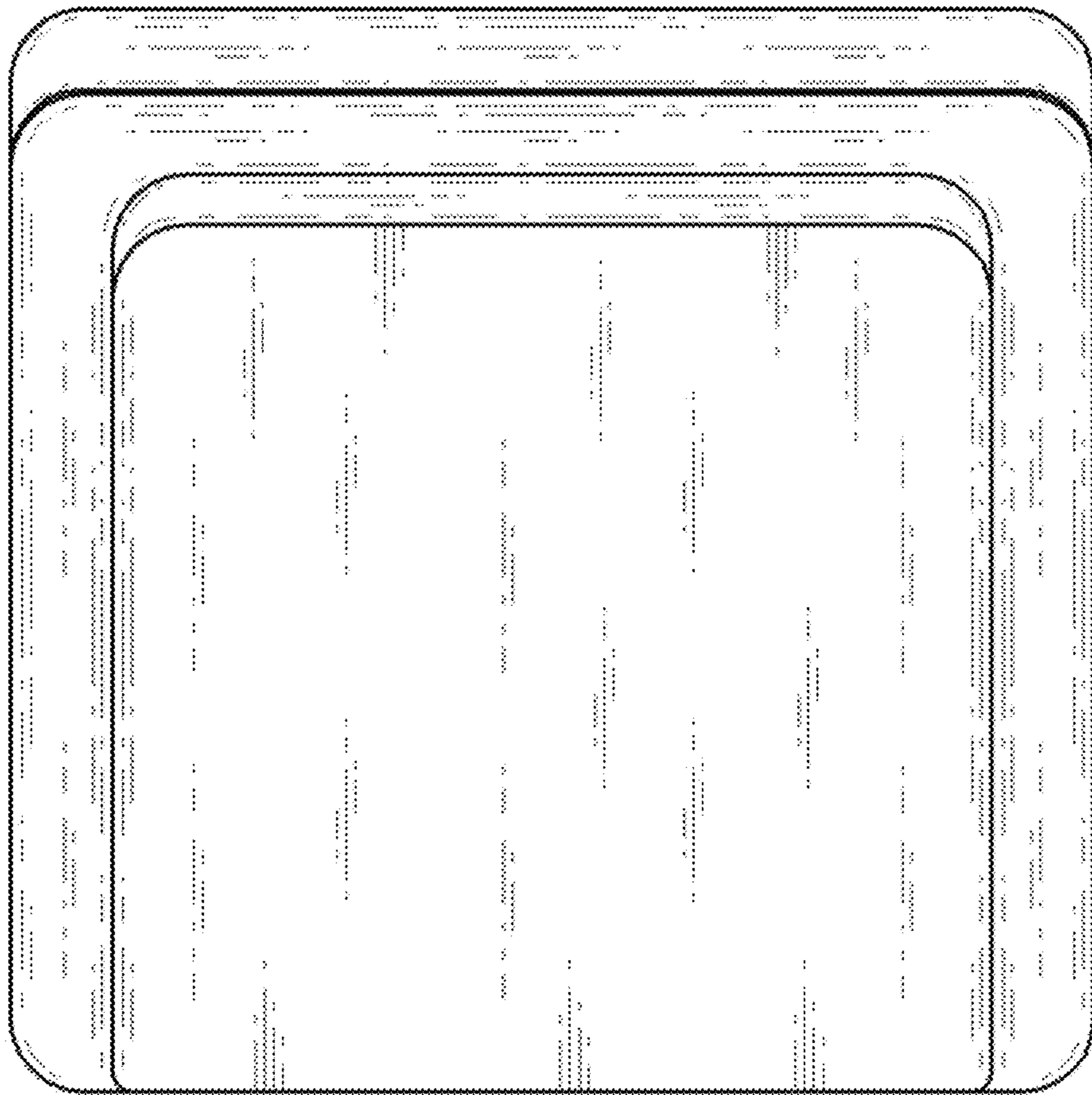
1.5



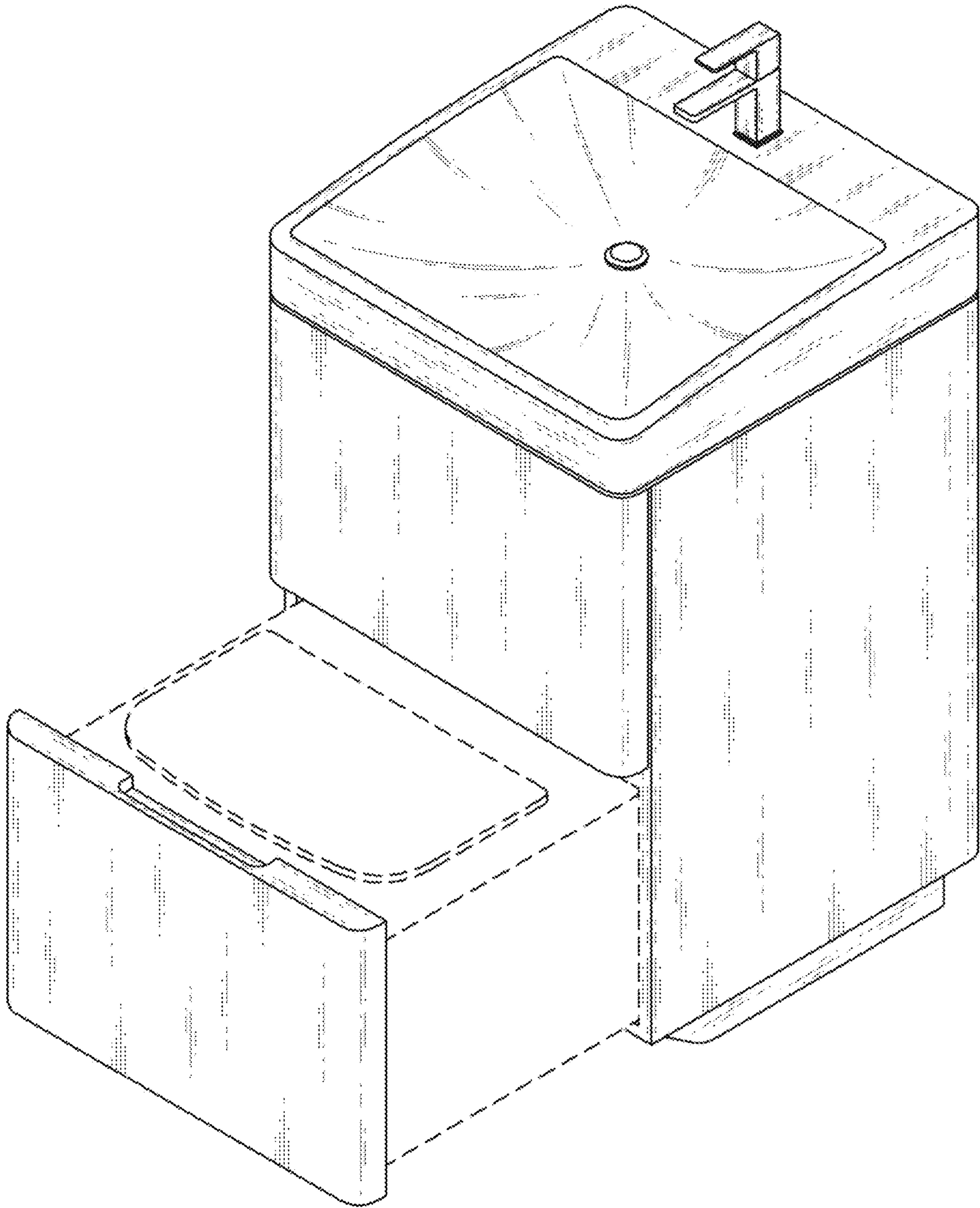
1.6



1.7



1.8



1.9

