



US00D818215S

(12) **United States Design Patent** (10) **Patent No.:** **US D818,215 S**
Helm et al. (45) **Date of Patent:** **** May 15, 2018**

(54) **MILKING MACHINE**
(71) Applicant: **GEA Farm Technologies GmbH**,
Boenen (DE)
(72) Inventors: **Thorsten Helm**, Sassenberg (DE);
Daniel Fichte, Munster (DE)
(73) Assignee: **GEA Farm Technologies GmbH**,
Bönen (DE)

D532,209 S * 11/2006 Rodis D6/335
D717,972 S * 11/2014 Collins D25/138
D756,137 S * 5/2016 Abelmann D6/336
D758,098 S * 6/2016 Pham D6/601
D793,124 S * 8/2017 Patel D6/601
2007/0110517 A1* 5/2007 Wasserstrom E01F 15/088
404/6

(**) Term: **14 Years**
(21) Appl. No.: **29/494,254**
(22) Filed: **Jun. 18, 2014**

(30) **Foreign Application Priority Data**
Dec. 19, 2013 (DE) 002373522-0001
Dec. 19, 2013 (DE) 002373522-0002
(51) **LOC (11) Cl.** **30-99**
(52) **U.S. Cl.**
USPC **D30/199**
(58) **Field of Classification Search**
USPC D30/199; 119/14.01-14.55; 702/182
CPC .. A01J 1/00-7/005; A01K 1/12; A01K 1/123;
A01K 1/126
See application file for complete search history.

(56) **References Cited**
U.S. PATENT DOCUMENTS
4,954,009 A * 9/1990 Kellison E01F 7/06
256/13.1
D343,369 S * 1/1994 Sprague D10/113.3
5,553,567 A * 9/1996 Wilson A01J 5/10
119/14.28

OTHER PUBLICATIONS

Sri Sai Agro Implements Cow Milking Machine, <https://www.tradeindia.com/fp1941896/Cow-Milking-Machine.html>, Sep. 2016, 1 page.*
Sumangalam Dairy Farm Solutions (India) Three Bucket Fixed Type Milking Machine, <http://www.dfs-india.com/three-bucket-fixed-type-milking-machine/>, 2018, 1 page.*

* cited by examiner

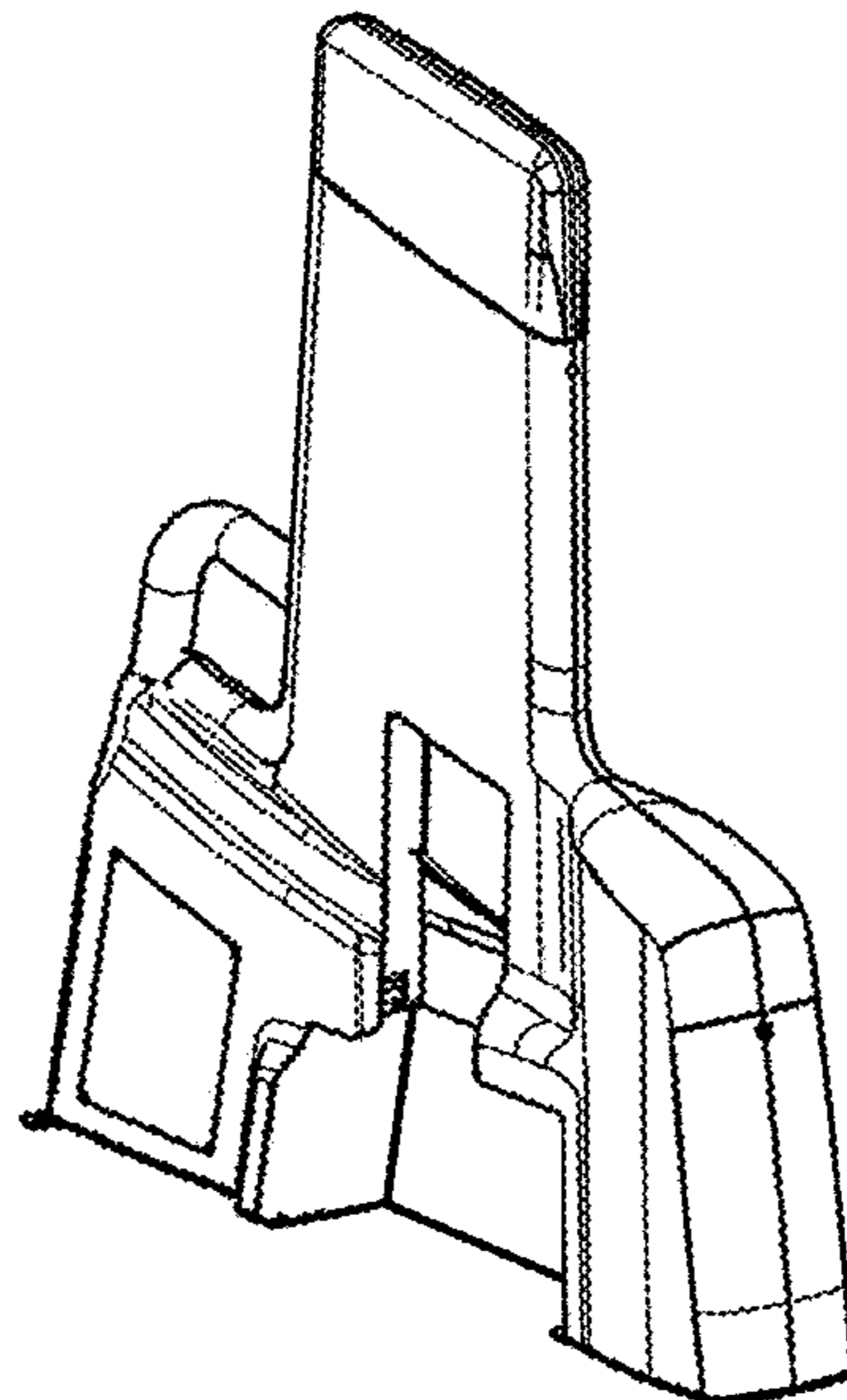
Primary Examiner — Susan Moon Lee
(74) *Attorney, Agent, or Firm* — Smith Law Office; Jeffrey W. Smith

(57) **CLAIM**
We claim the ornamental design for a milking machine, as shown and described.

DESCRIPTION

FIG. 1 is a front elevational view of the milking machine; FIG. 2 is a left side elevational view of the milking machine of FIG. 1; FIG. 3 is a rear elevational view of the milking machine of FIG. 1; FIG. 4 is a top plan view of the milking machine of FIG. 1; FIG. 5 is an upper left front perspective view of the milking machine of FIG. 1; and, FIG. 6 is an upper left rear perspective view of the milking machine of FIG. 1.

1 Claim, 6 Drawing Sheets



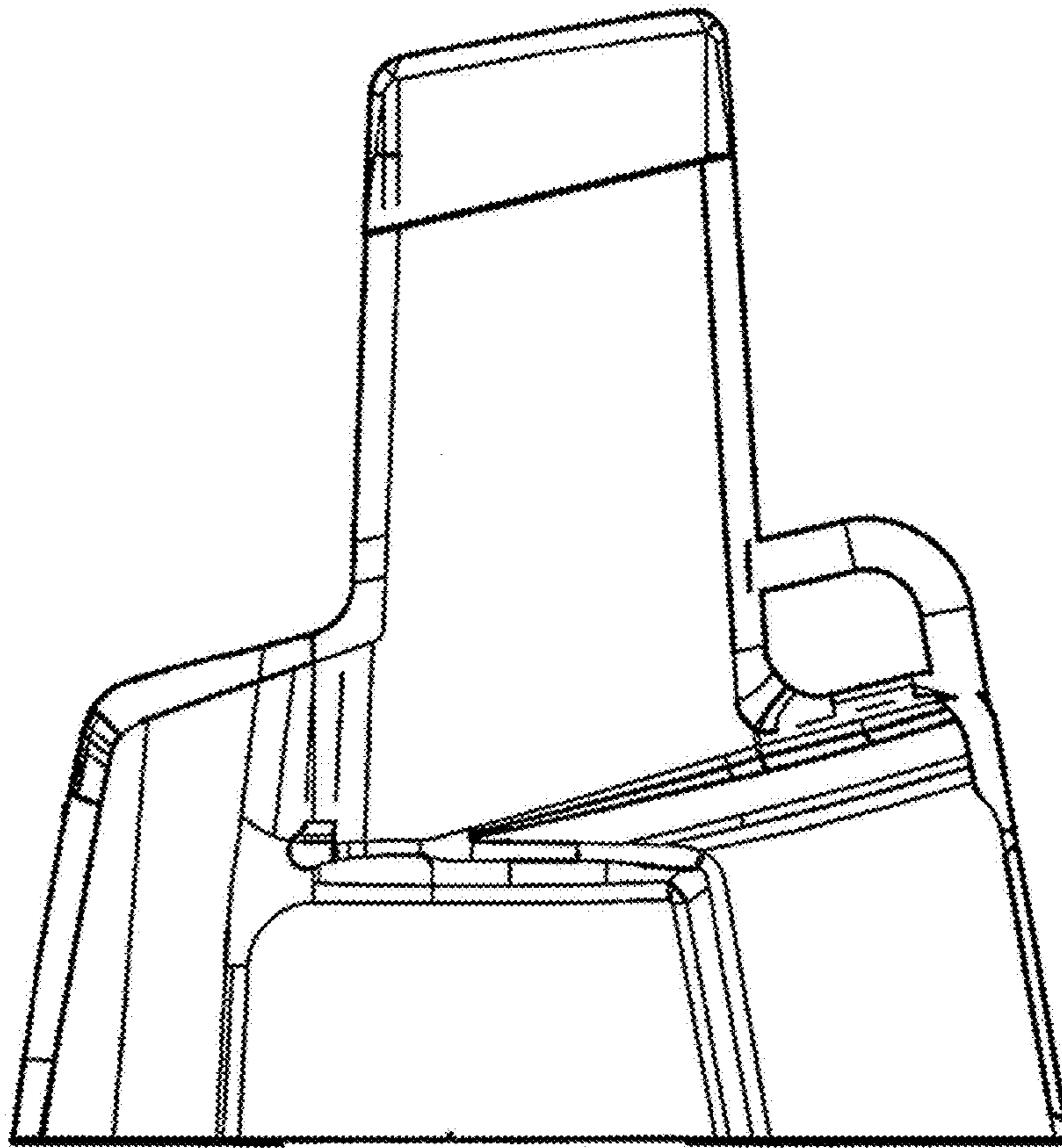


Fig. 1

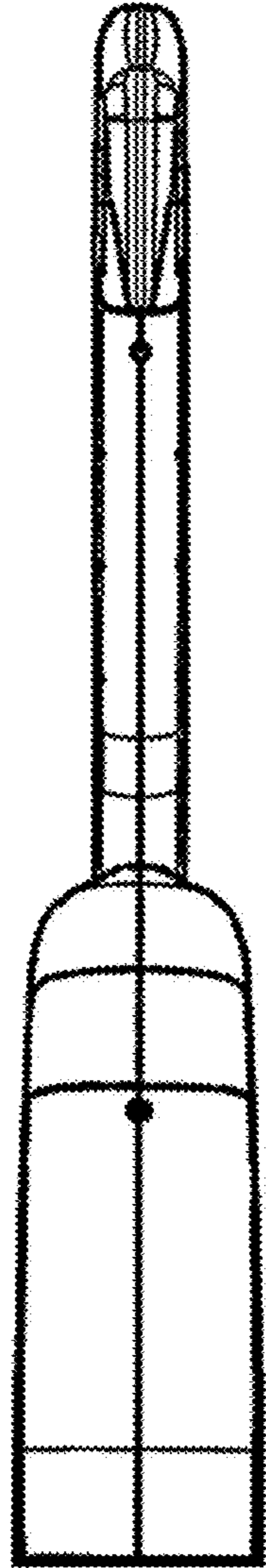


Fig. 2

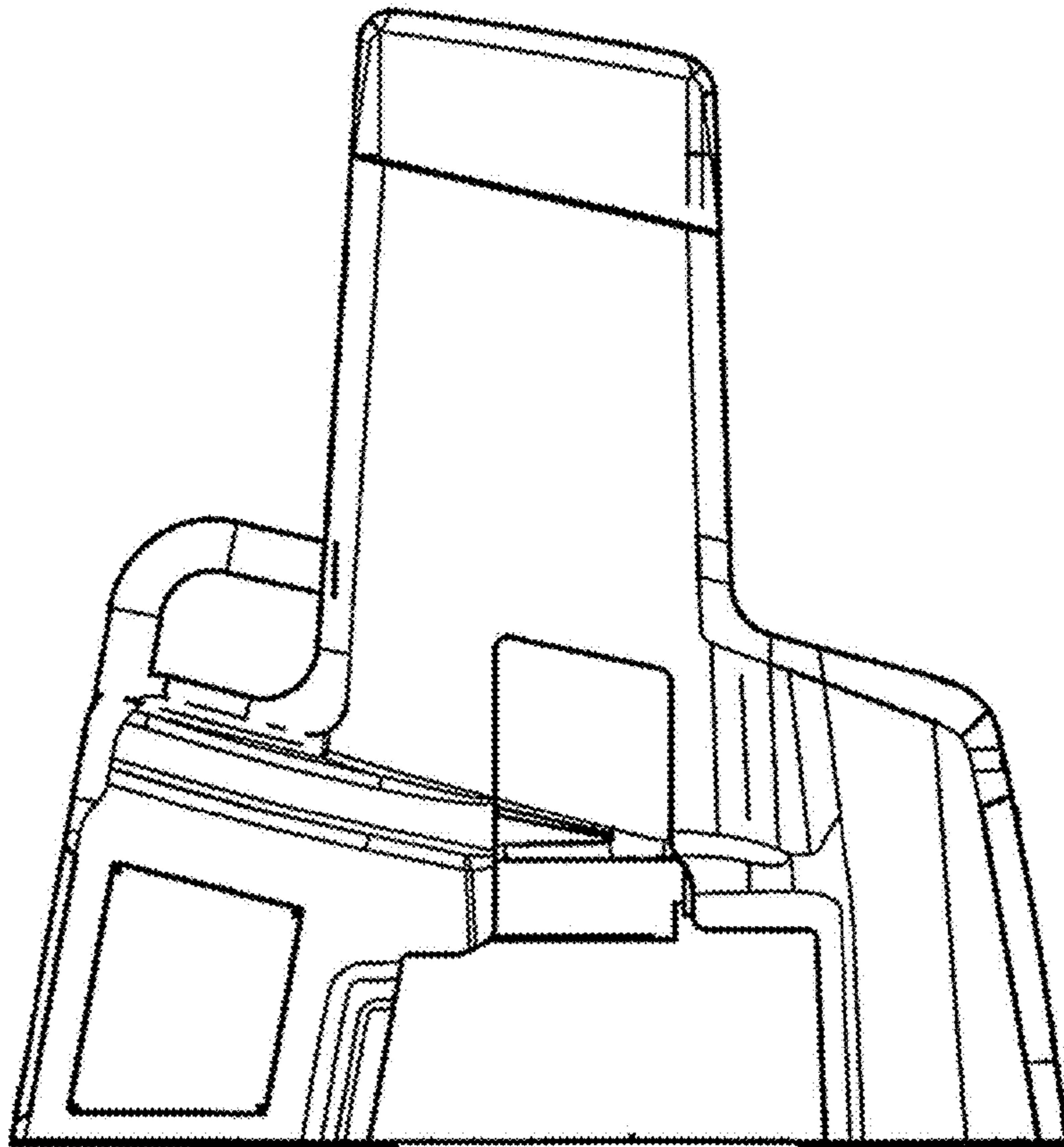


Fig. 3

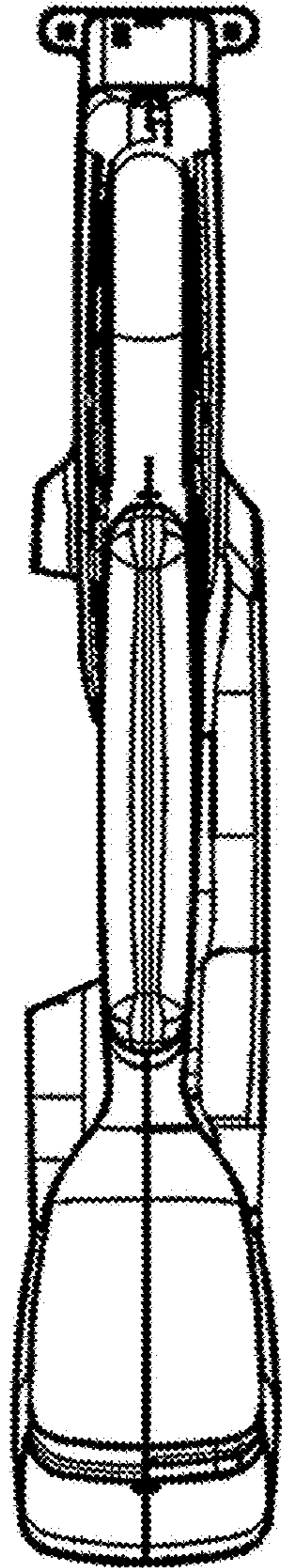


Fig. 4

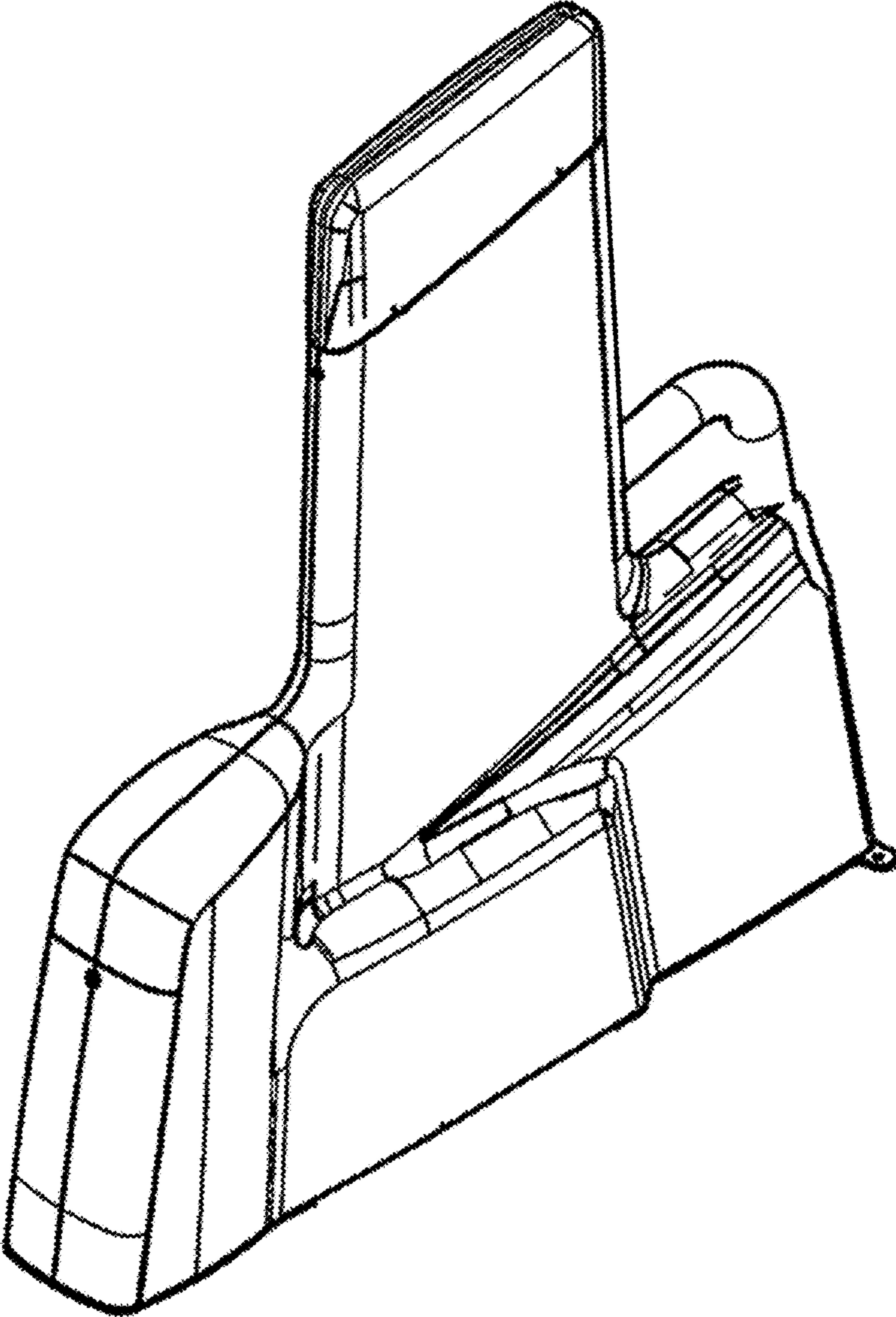


Fig. 5

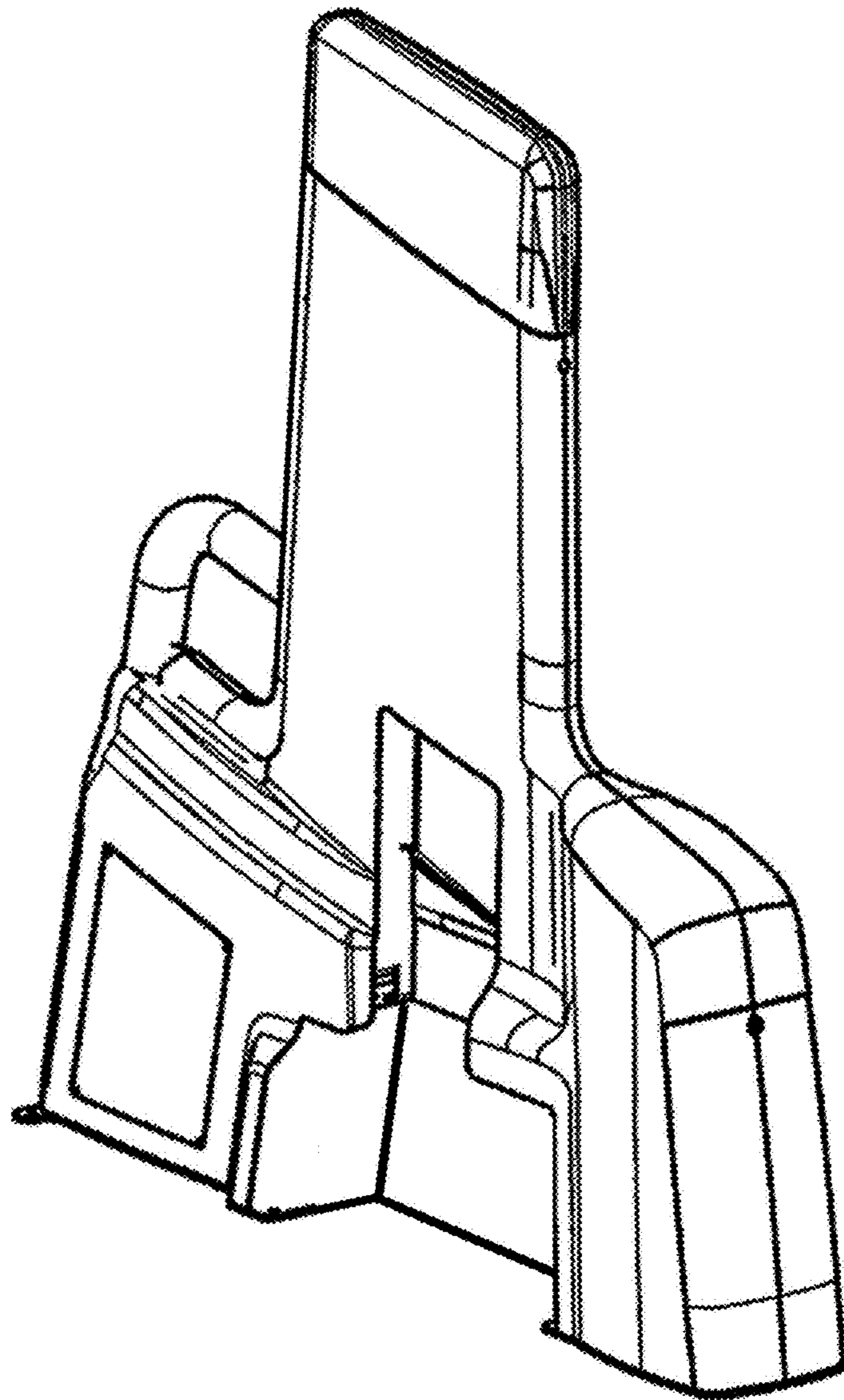


Fig. 6