



US00D818211S

(12) **United States Design Patent** (10) **Patent No.:** **US D818,211 S**
Anderson (45) **Date of Patent:** **** May 15, 2018**

(54) **ANIMAL TOY**
(71) Applicant: **DOSKOCIL MANUFACTURING COMPANY, INC.**, Arlington, TX (US)
(72) Inventor: **Norman Anderson**, Brooklyn, NY (US)
(73) Assignee: **DOSKOCIL MANUFACTURING COMPANY, INC.**, Arlington, TX (US)
(**) Term: **14 Years**
(21) Appl. No.: **29/518,673**
(22) Filed: **Feb. 26, 2015**
(51) **LOC (11) Cl.** **30-99**
(52) **U.S. Cl.**
USPC **D30/160; D21/623**
(58) **Field of Classification Search**
USPC D30/160; D21/576, 623, 630, 621-622;
D24/194-195, 211-214; D11/160
CPC .. A01K 15/025; A01K 15/026; A01K 15/027;
A61H 15/00; A61H 15/0085
See application file for complete search history.

(56) **References Cited**

U.S. PATENT DOCUMENTS

D204,393 S * 4/1966 Raizen D21/630
D269,534 S * 6/1983 Garth D21/585

D278,731 S * 5/1985 Cohorst D21/630
D285,545 S * 9/1986 Crouch D11/160
D324,087 S * 2/1992 Crider D21/623
D425,581 S * 5/2000 Philbern D21/623
D501,898 S * 2/2005 Rutherford D21/623
D522,071 S * 5/2006 Strother D21/623
D596,244 S * 7/2009 Levy D21/630

* cited by examiner

Primary Examiner — Cathy Anne MacCormac

(74) *Attorney, Agent, or Firm* — Global IP Counselors, LLP

(57) **CLAIM**

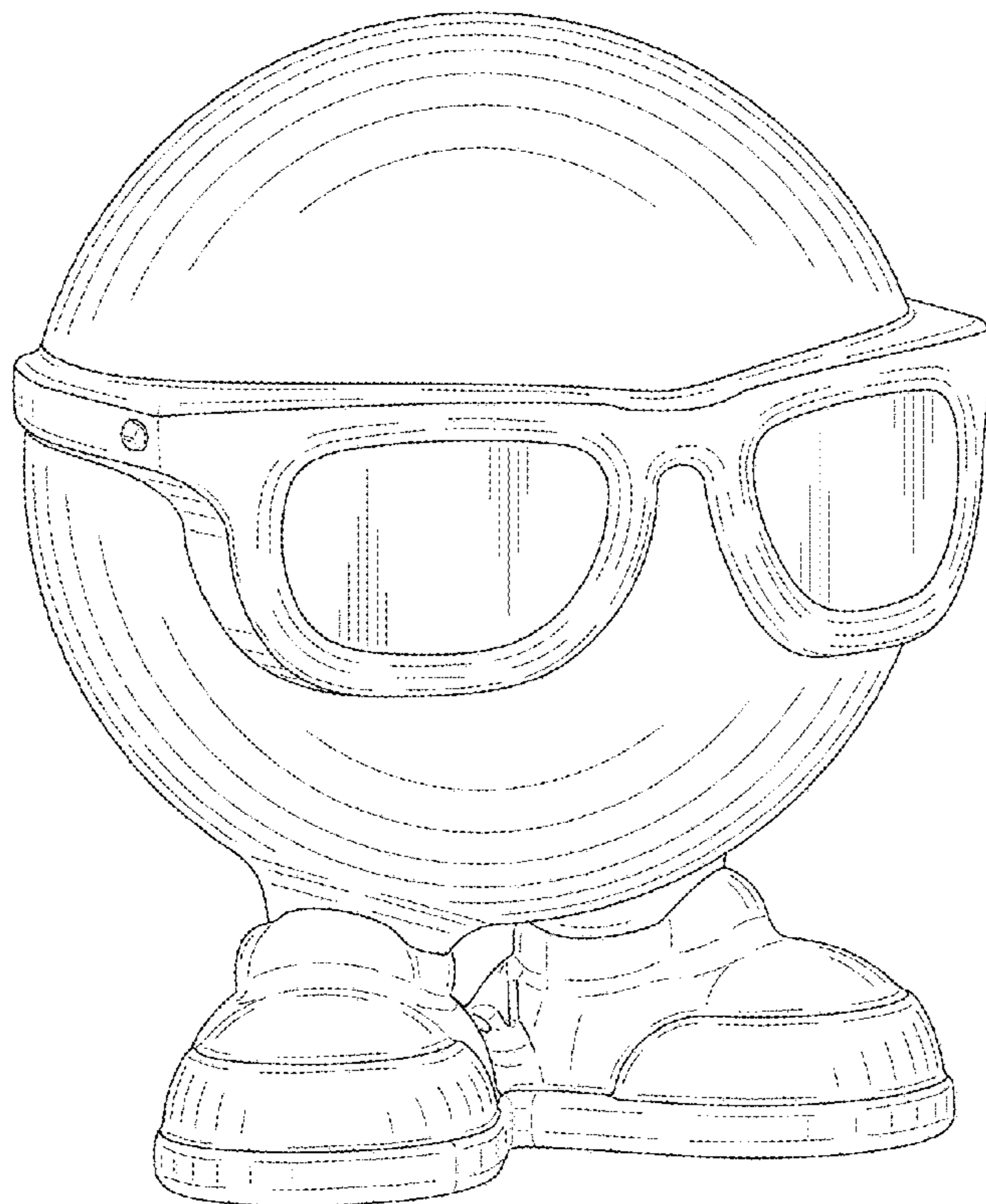
The ornamental design for an animal toy, as shown and described.

DESCRIPTION

FIG. 1 is a left front perspective view of the animal toy; FIG. 2 is a right front perspective view of the animal toy; FIG. 3 is a front elevational view of the animal toy; FIG. 4 is a left side elevational view of the animal toy; FIG. 5 is a right side elevational view of the animal toy; FIG. 6 is a rear elevational view of the animal toy; FIG. 7 is a top plan view of the animal toy; and, FIG. 8 is a bottom plan view of the animal toy.

The broken lines depict environmental subject matter, are for illustration only, and form no part of the claimed design.

1 Claim, 8 Drawing Sheets



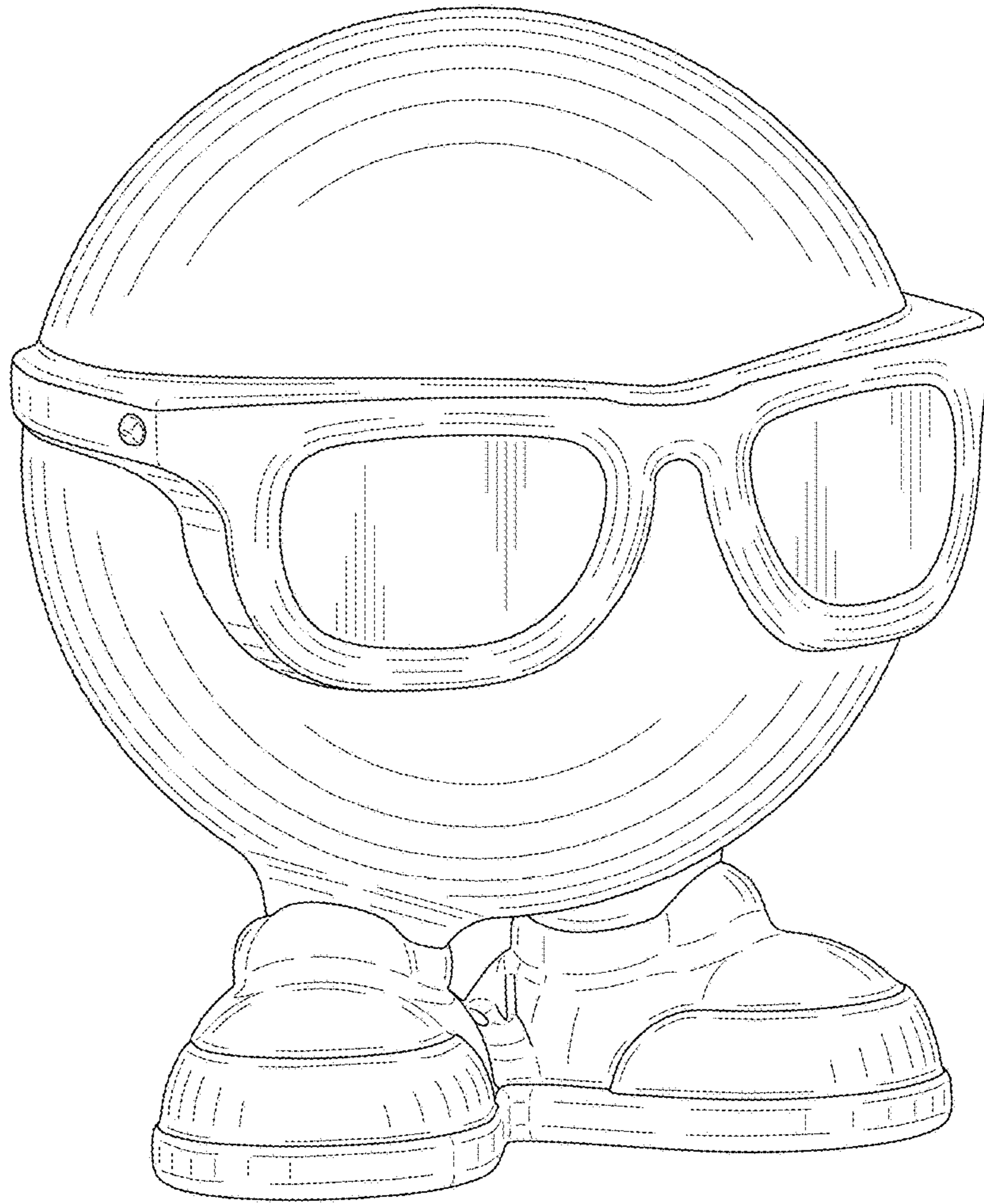


FIG. 1

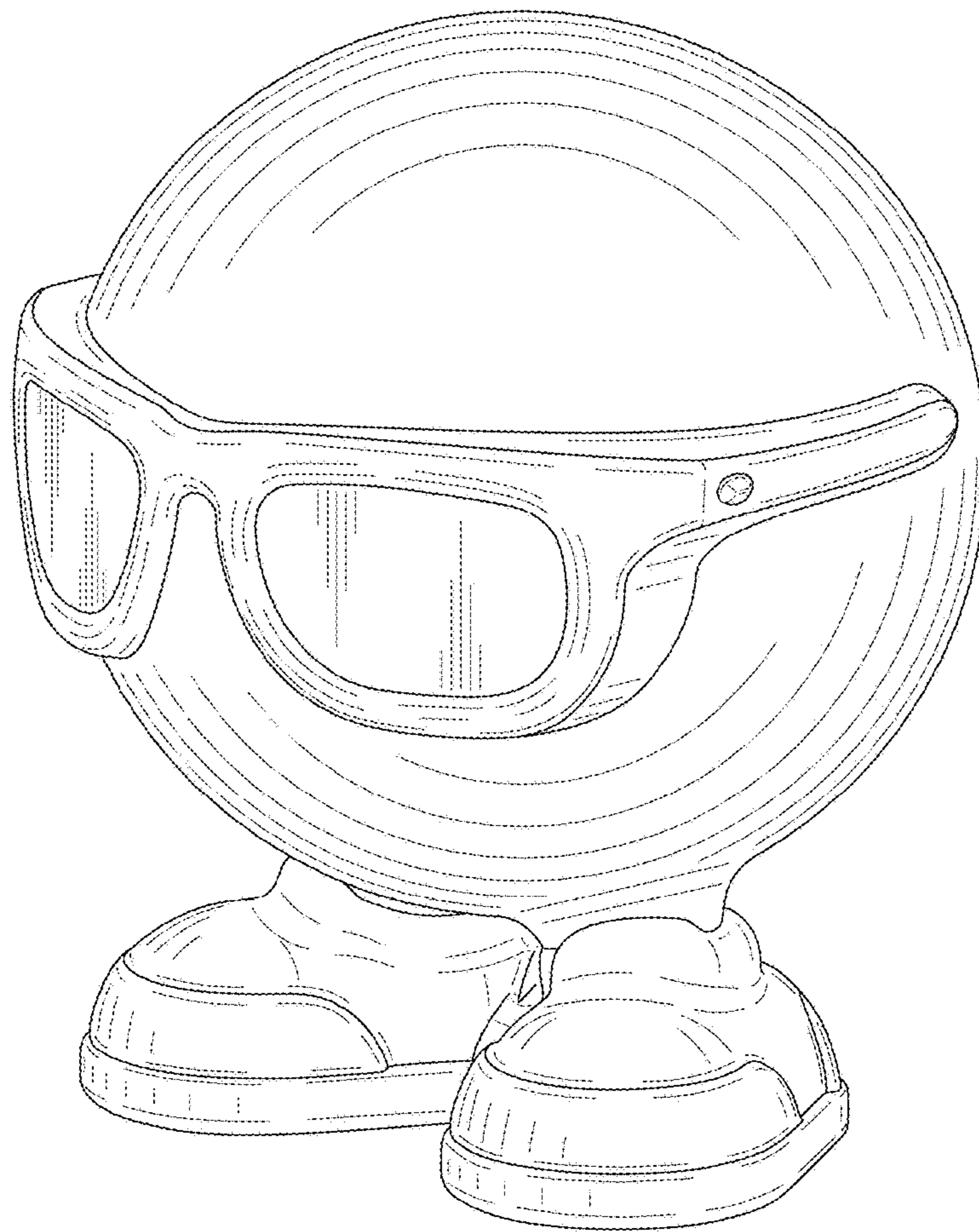


FIG. 2

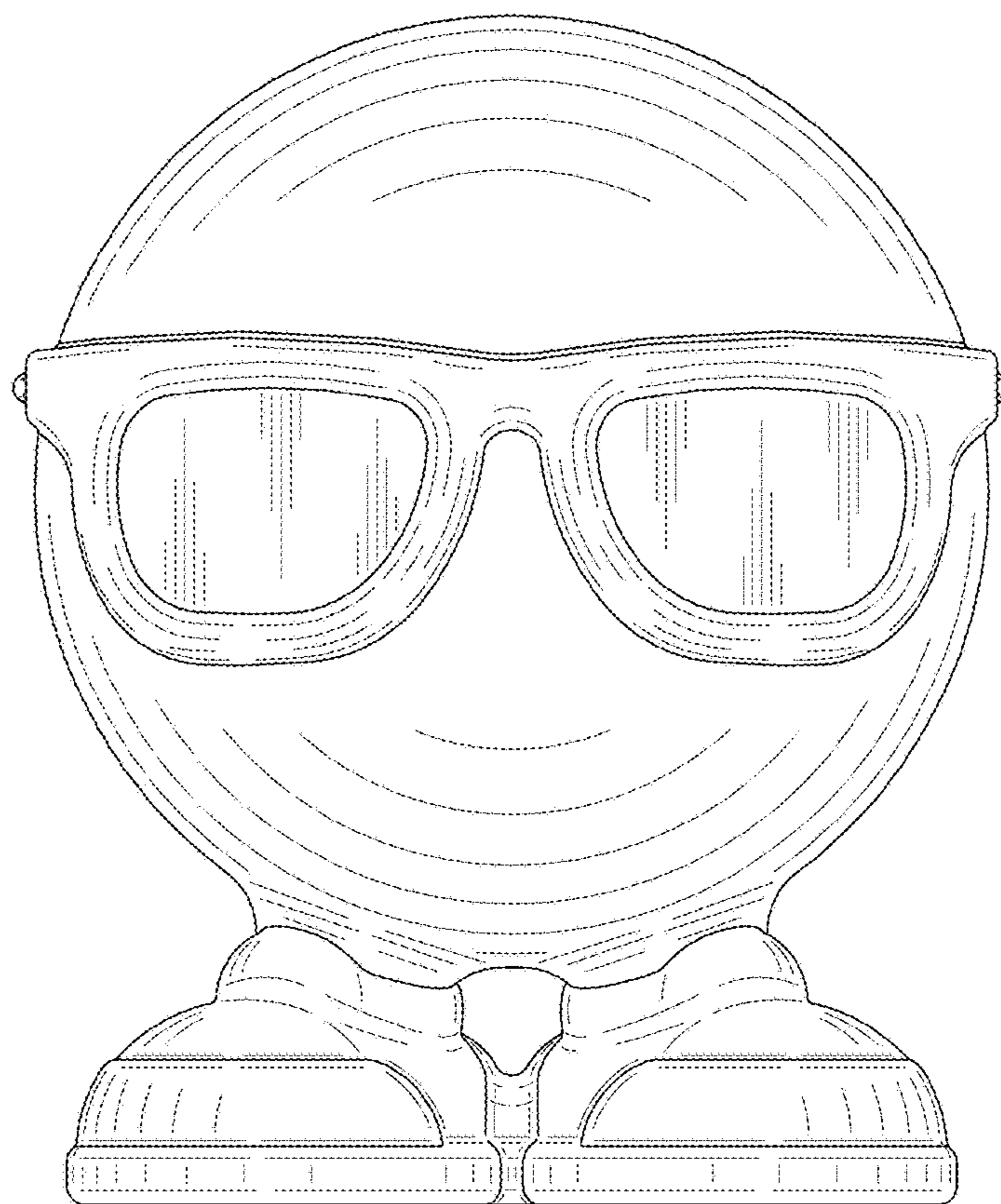


FIG. 3

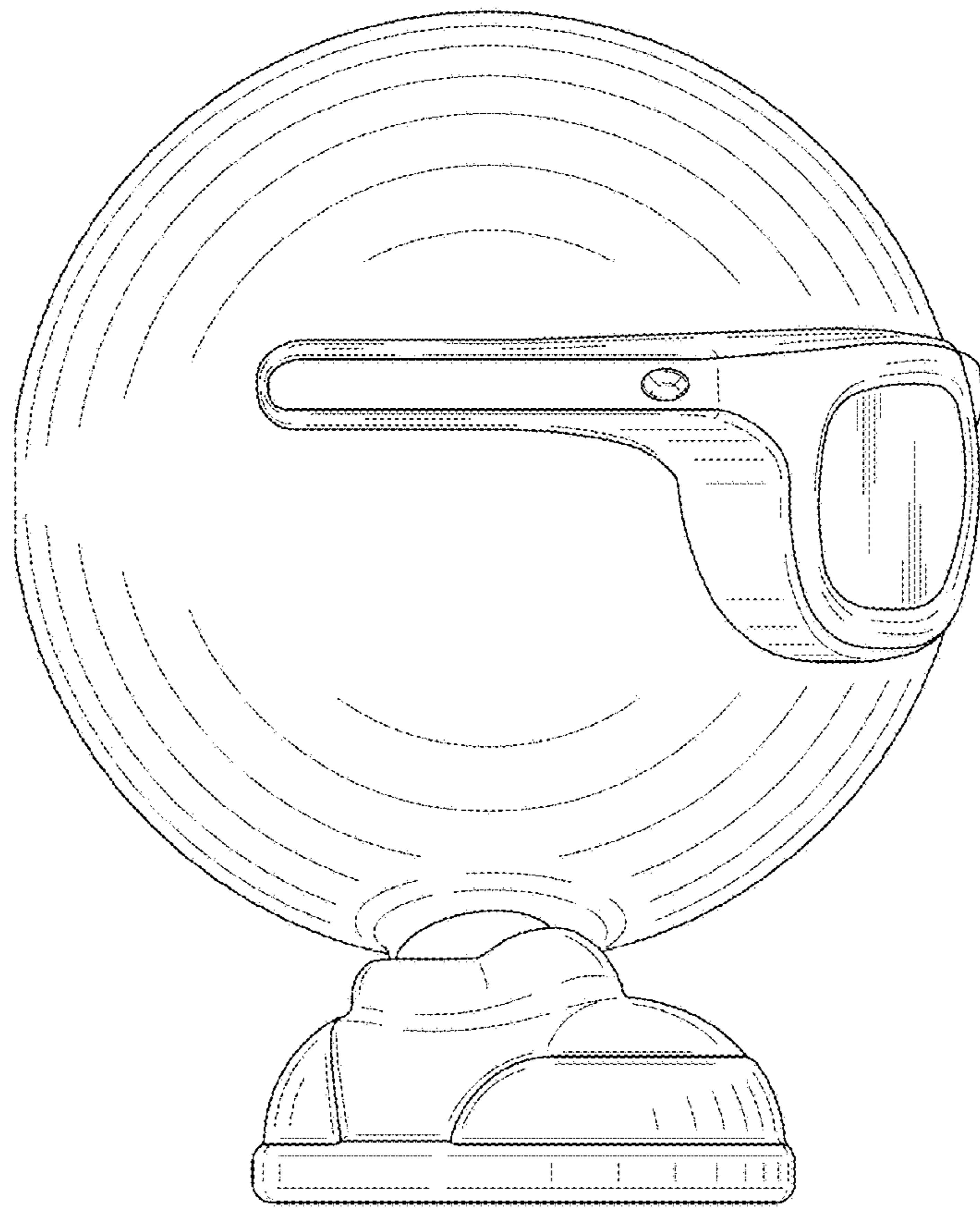


FIG. 4

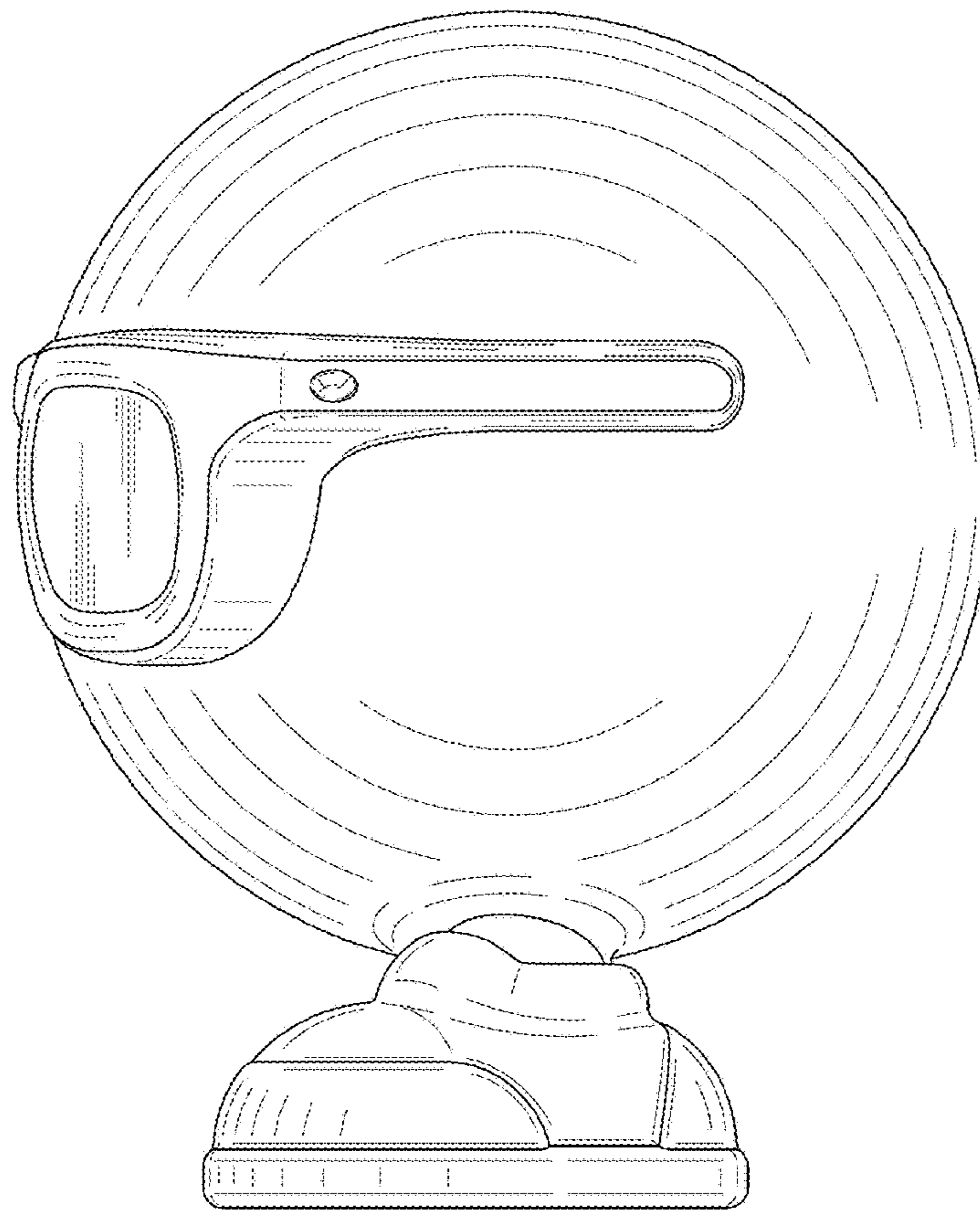


FIG. 5

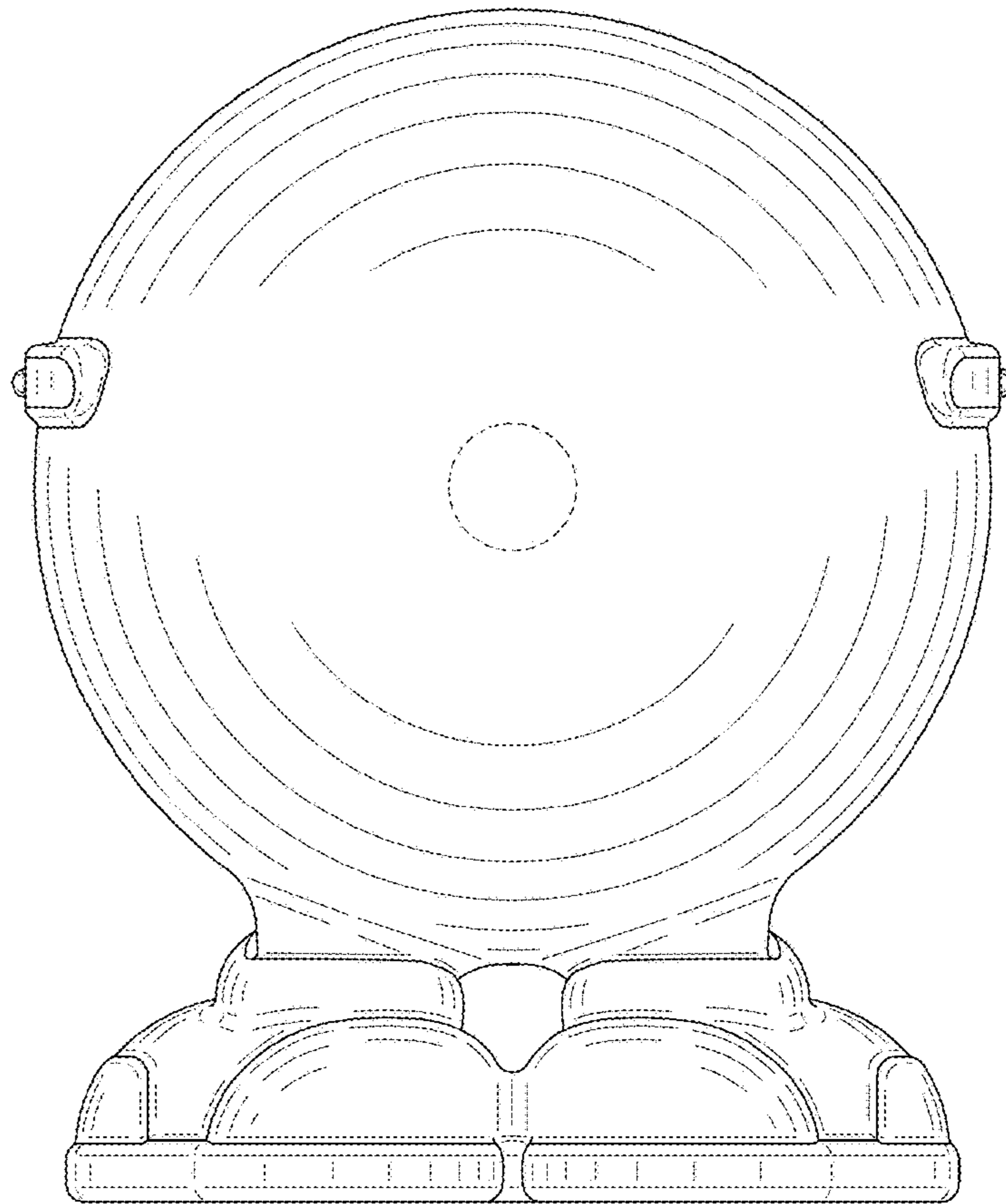


FIG. 6

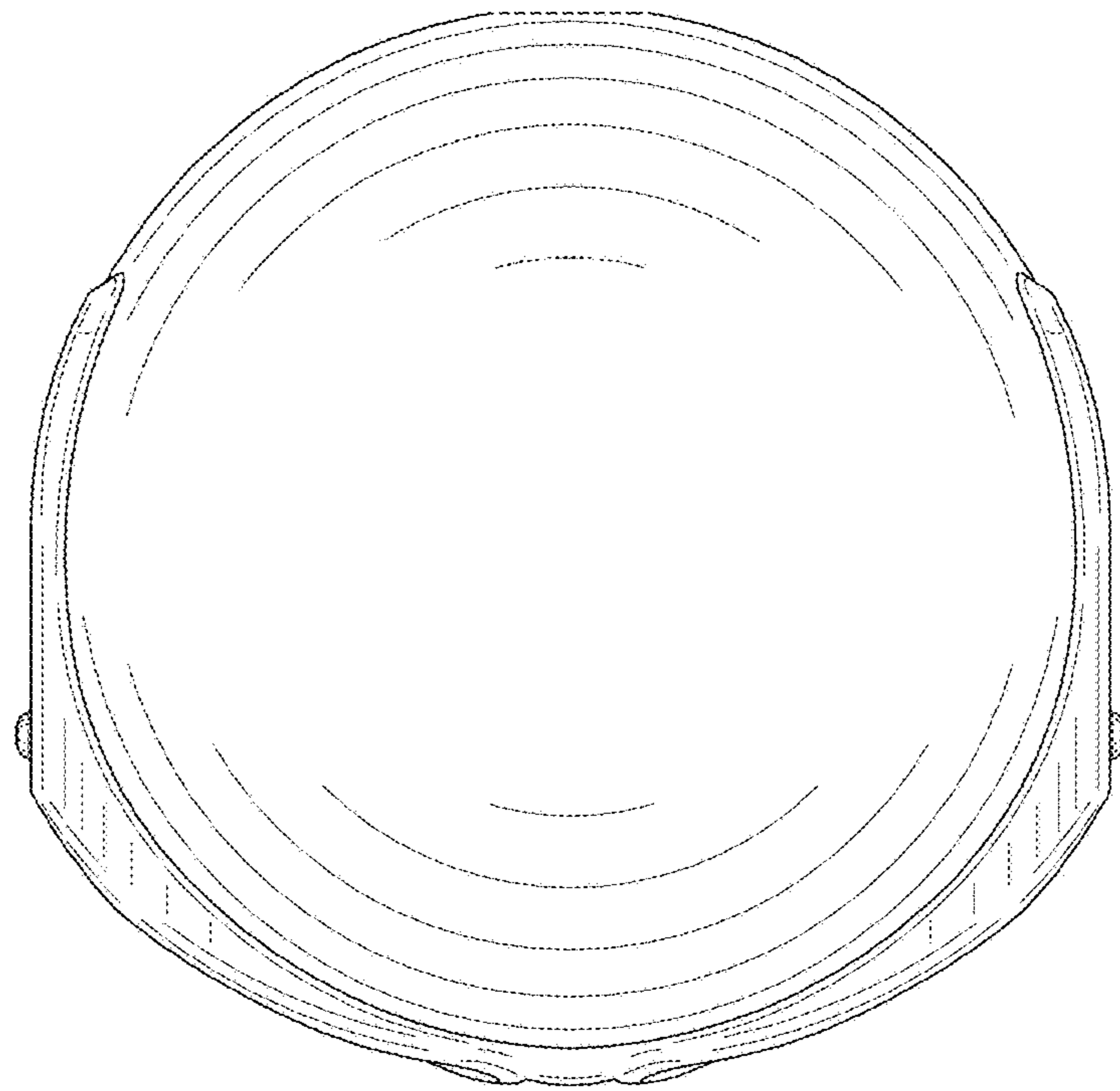


FIG. 7

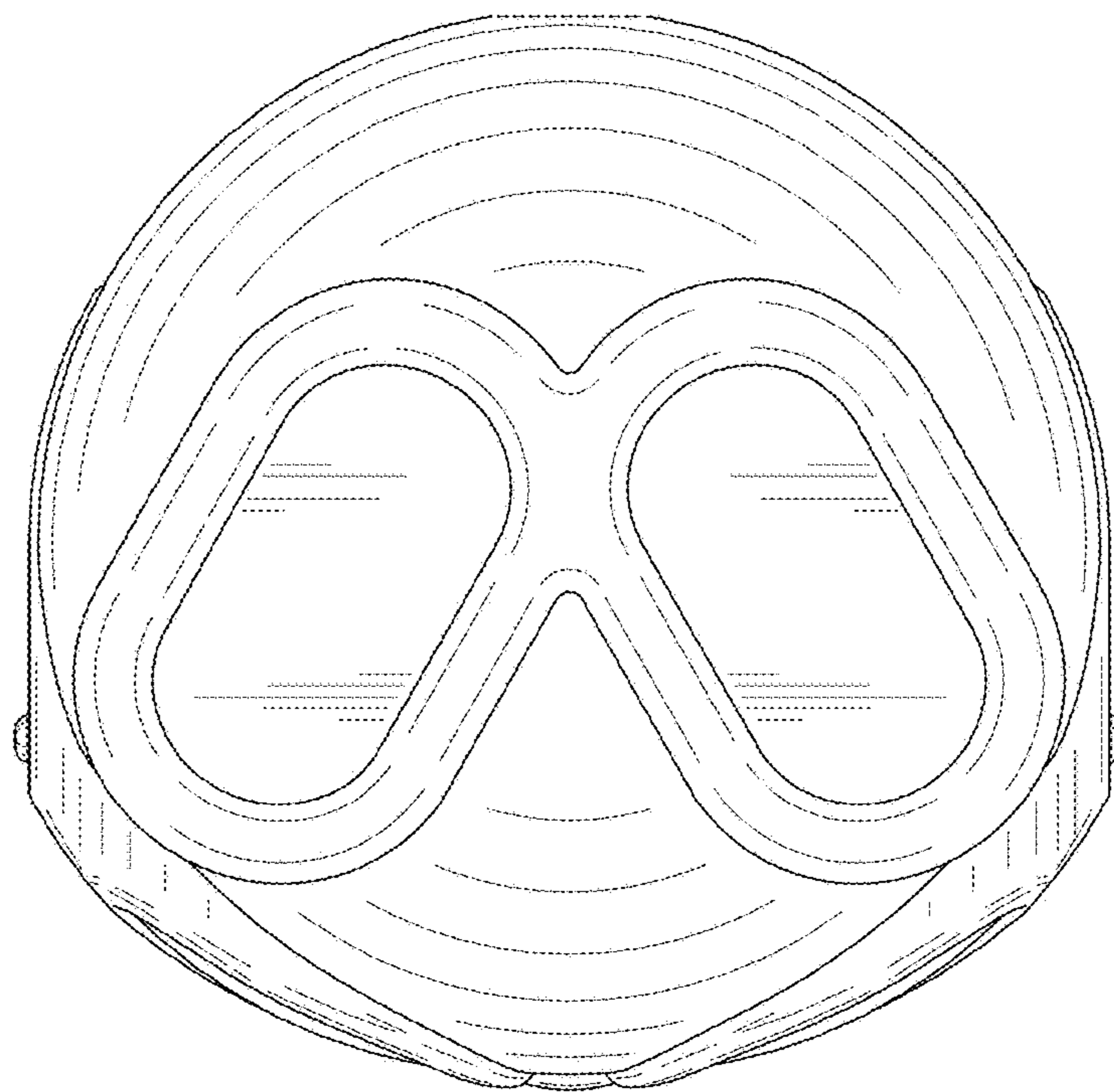


FIG. 8