



US00D818205S

(12) **United States Design Patent**  
**Curiel**

(10) **Patent No.:** **US D818,205 S**

(45) **Date of Patent:** **\*\* May 15, 2018**

(54) **DOG BED**

(71) Applicant: **Rosanne Curiel**, Brawley, CA (US)

(72) Inventor: **Rosanne Curiel**, Brawley, CA (US)

(\*\*) Term: **14 Years**

(21) Appl. No.: **29/526,504**

(22) Filed: **May 11, 2015**

(51) **LOC (11) Cl.** ..... **30-06**

(52) **U.S. Cl.**  
USPC ..... **D30/118**

(58) **Field of Classification Search**  
USPC ..... D30/118; D6/596, 601, 36, 333, 349,  
D6/595, 597, 604; D21/520

CPC ..... A01K 1/00; A01K 1/0272; A01K 1/0353;  
A01K 1/035

See application file for complete search history.

(56) **References Cited**

**U.S. PATENT DOCUMENTS**

2,032,248	A	2/1936	Bins	
D172,633	S *	7/1954	Niemann	D6/349
3,147,736	A	9/1964	Daniel	
3,536,359	A *	10/1970	Amos	A47C 3/04
				D6/352
D239,395	S *	3/1976	David	D30/118
D262,245	S *	12/1981	Kane	D6/358
5,003,653	A *	4/1991	Mar	A47C 3/16
				D6/601
D355,077	S *	2/1995	Tegner	D30/118
D369,443	S *	4/1996	Givens	D30/118
D369,885	S *	5/1996	Zeiler	D30/118
D391,688	S *	3/1998	McMahon	D30/118
D395,143	S *	6/1998	McMahon	D30/118
D395,144	S *	6/1998	McMahon	D30/118
D427,791	S *	7/2000	Peterson	D6/604
D503,500	S *	3/2005	Gaspari	D30/118
D511,228	S *	11/2005	Byrne	D30/160
D523,189	S *	6/2006	Wisdom	D30/160

D558,930	S *	1/2008	Thomas	D30/118
D616,210	S *	5/2010	Tin	D6/349
D622,476	S *	8/2010	Babbitt	D2/610
D653,406	S *	1/2012	Kahn	D30/118
D666,839	S *	9/2012	Johnson	D6/349
D677,840	S *	3/2013	Burnett	D30/118
D718,501	S *	11/2014	Byrne	D30/160
D736,480	S *	8/2015	Diskin	D30/118
2003/0066489	A1	4/2003	Whitehill	
2012/0240860	A1	9/2012	Suplina	

**OTHER PUBLICATIONS**

Ami Magazine, Sep. 2, 2014, <http://stylemag.amiclubwear.com/amazing-tire-home-decor/>, visited Mar. 11, 2015.

\* cited by examiner

*Primary Examiner* — Cathy Anne MacCormac  
(74) *Attorney, Agent, or Firm* — Mark Wisnosky

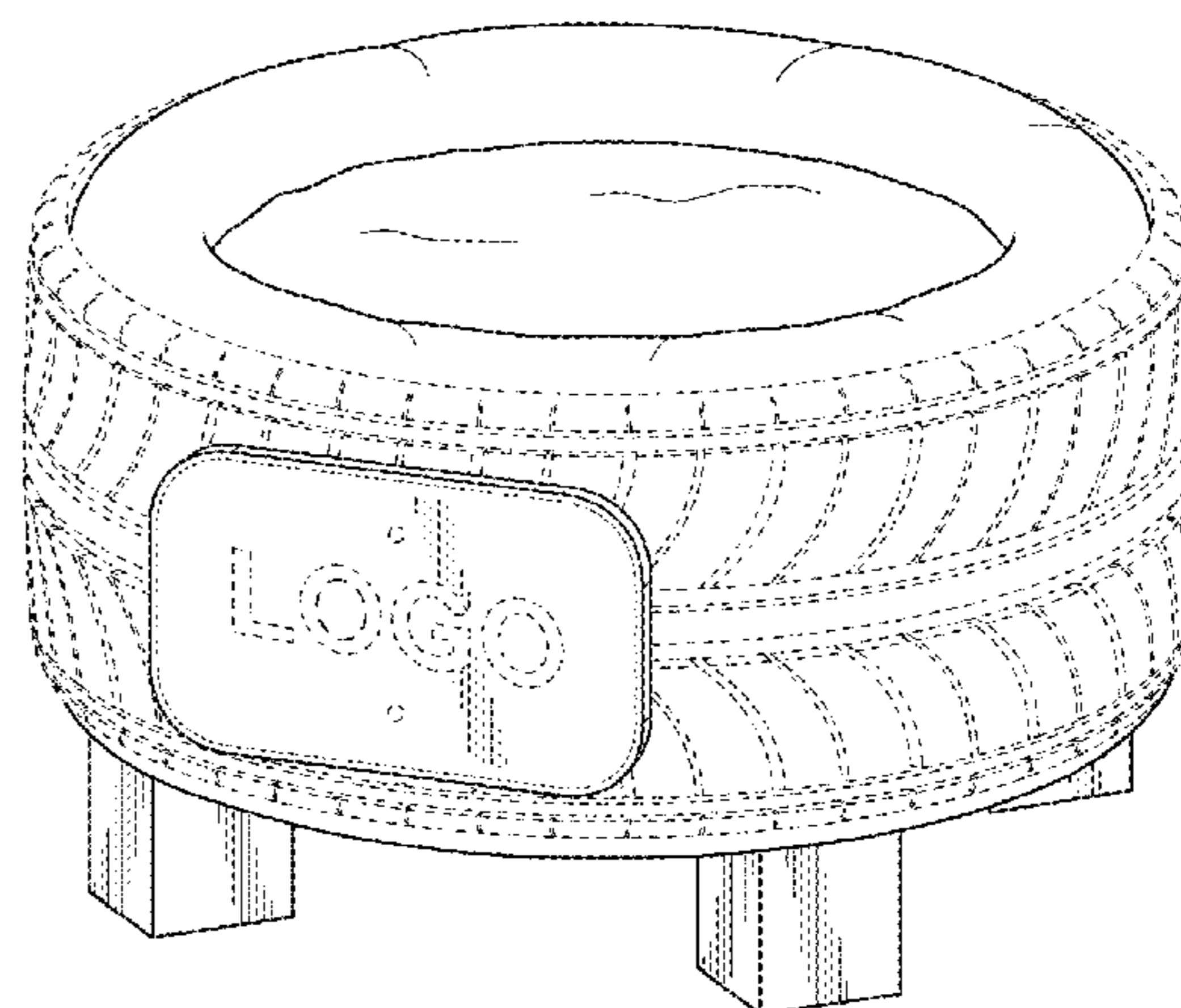
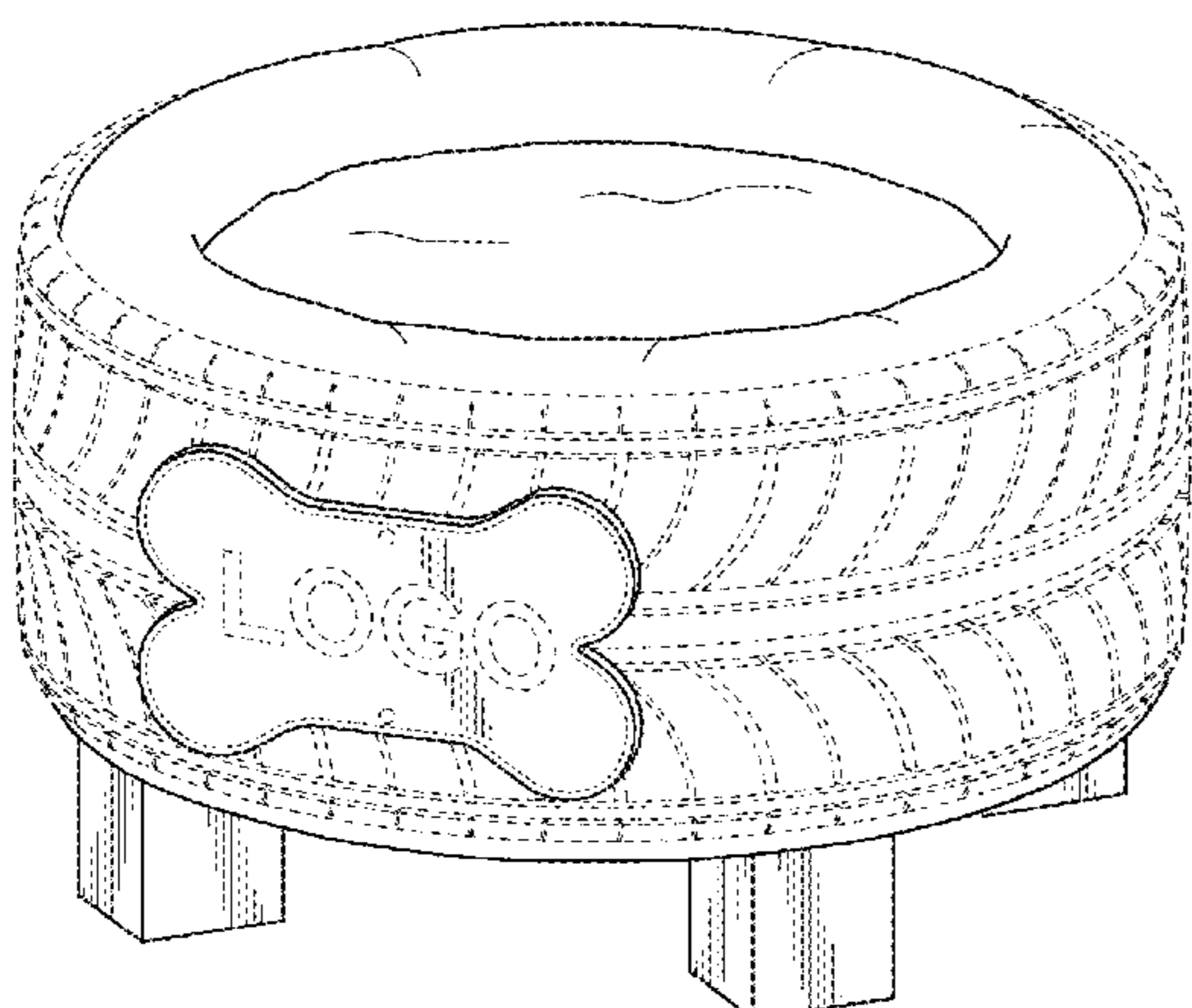
(57) **CLAIM**

The ornamental design for a dog bed, as shown and described.

**DESCRIPTION**

FIG. 1 is a top, front perspective view of the dog bed.  
FIG. 2 is a front view of the dog bed.  
FIG. 3 is a back view of the dog bed.  
FIG. 4 is a right side view of the dog bed.  
FIG. 5 is a left side view of the dog bed.  
FIG. 6 is a top view of the dog bed.  
FIG. 7 is a bottom view of the dog bed; and,  
FIG. 8 is a top, front perspective view of a second embodiment of FIG. 1.  
The broken lines showing the tire, the wording "Logo", and, the border surrounding the word "Logo", depict environmental subject matter and do not form part of the claimed design.

**1 Claim, 8 Drawing Sheets**



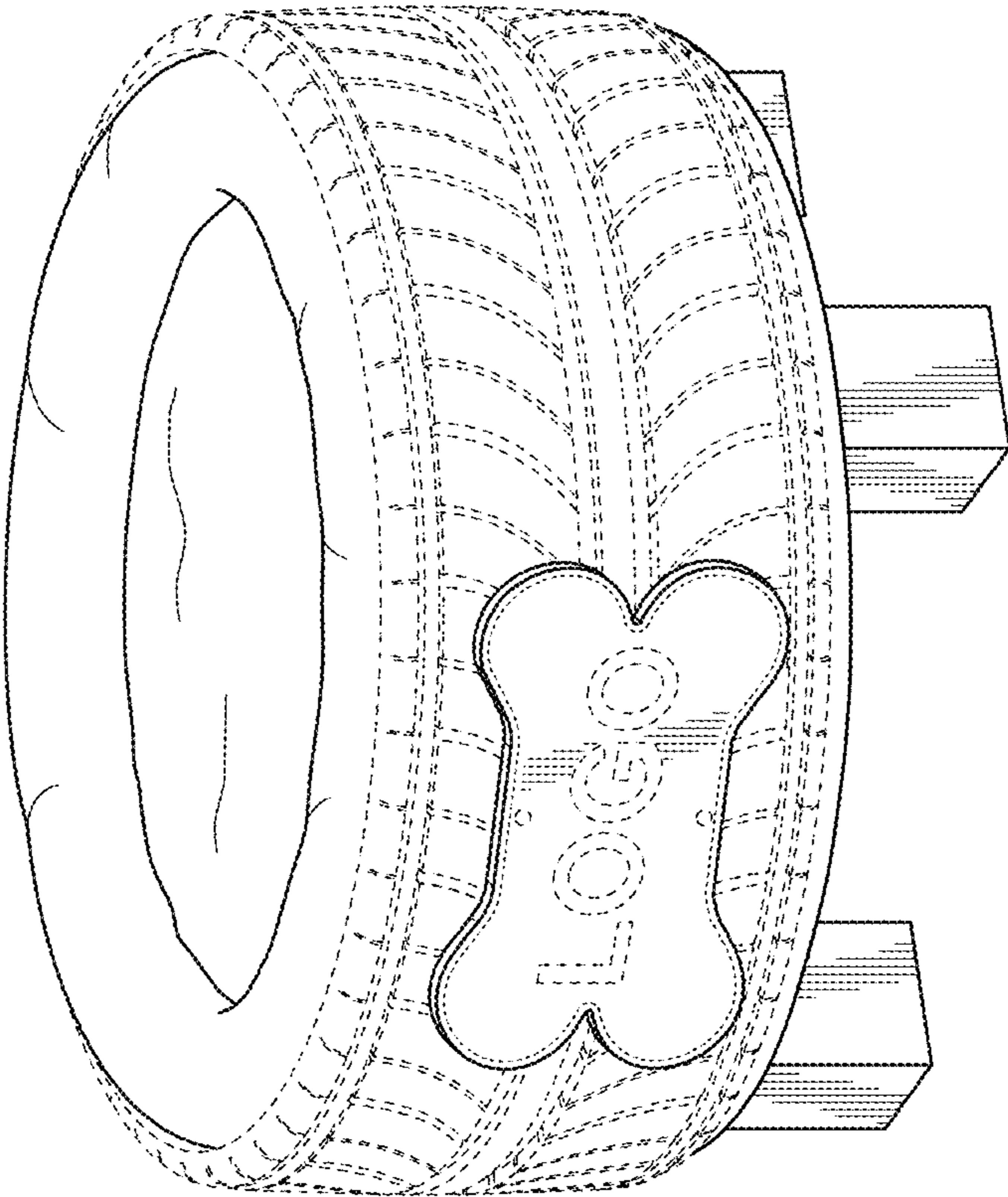


FIG. 1

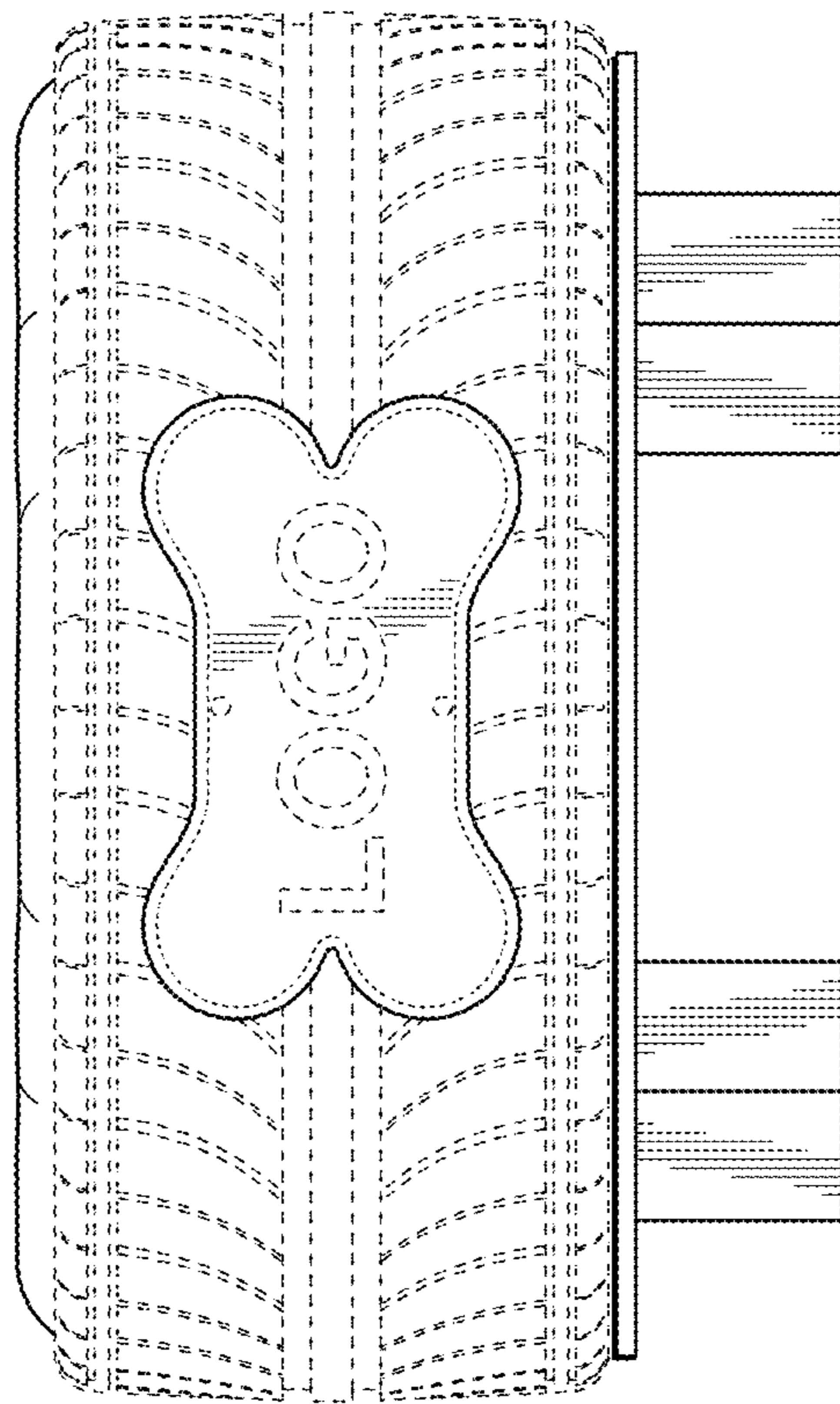


FIG. 2

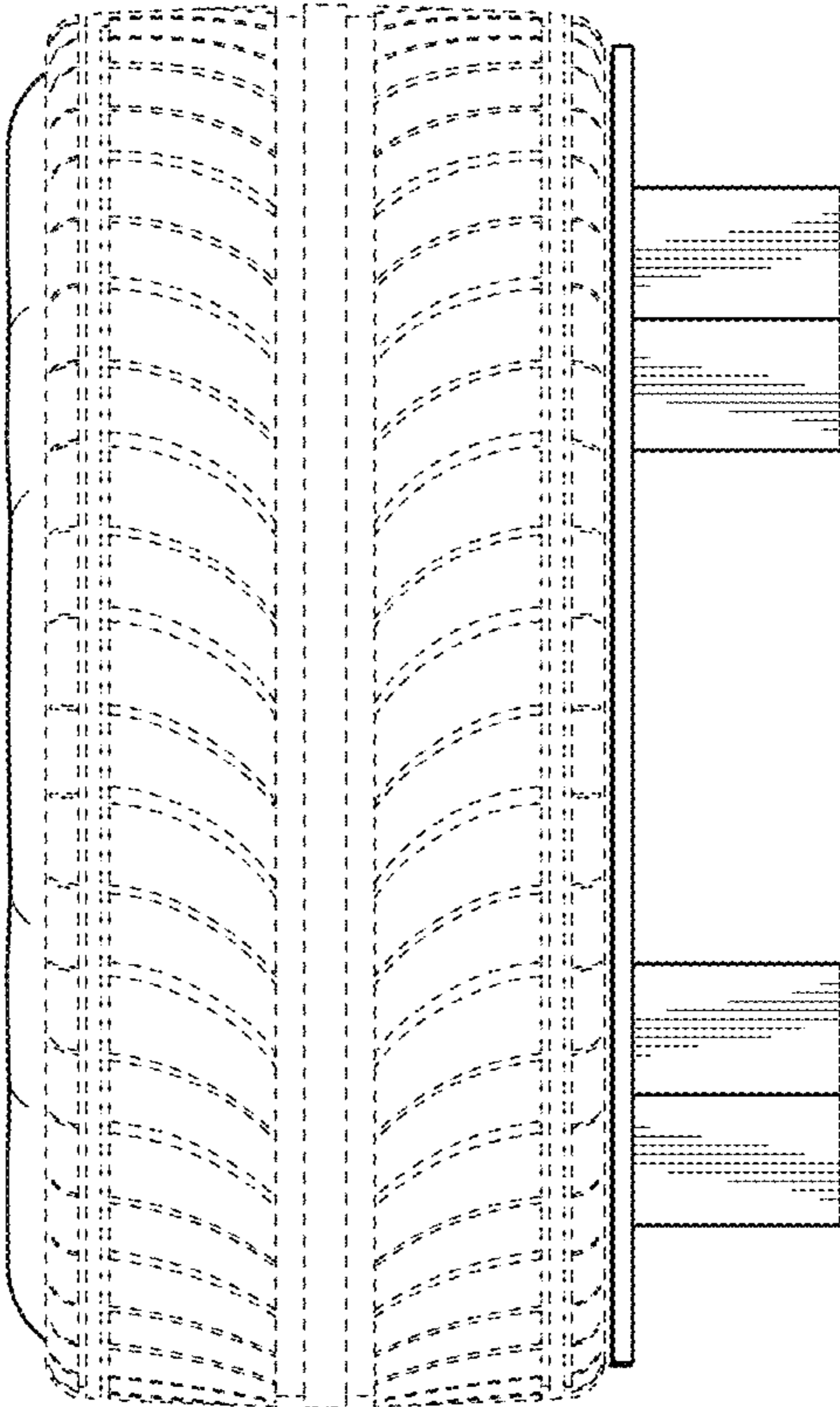


FIG. 3

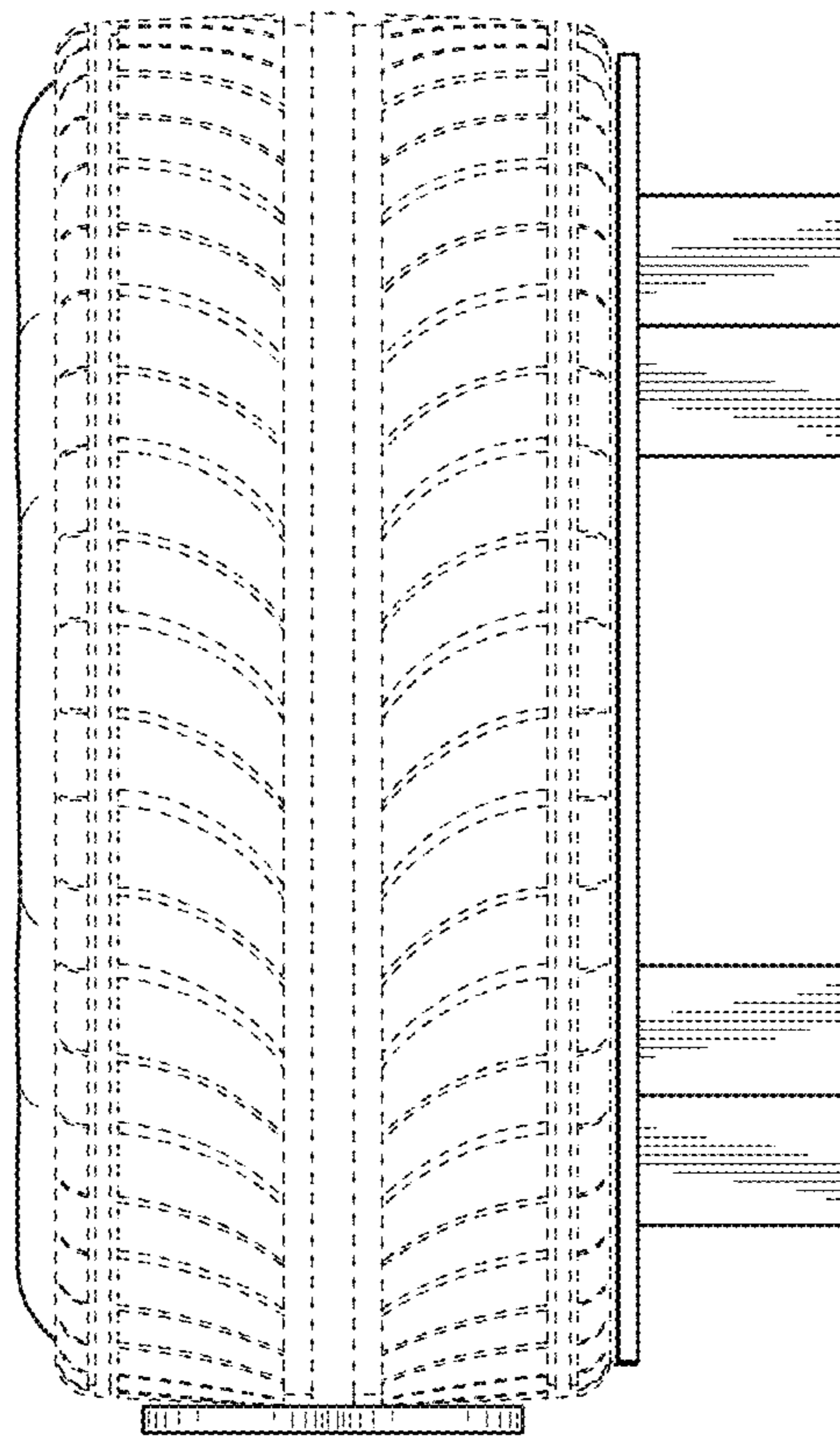


FIG. 4

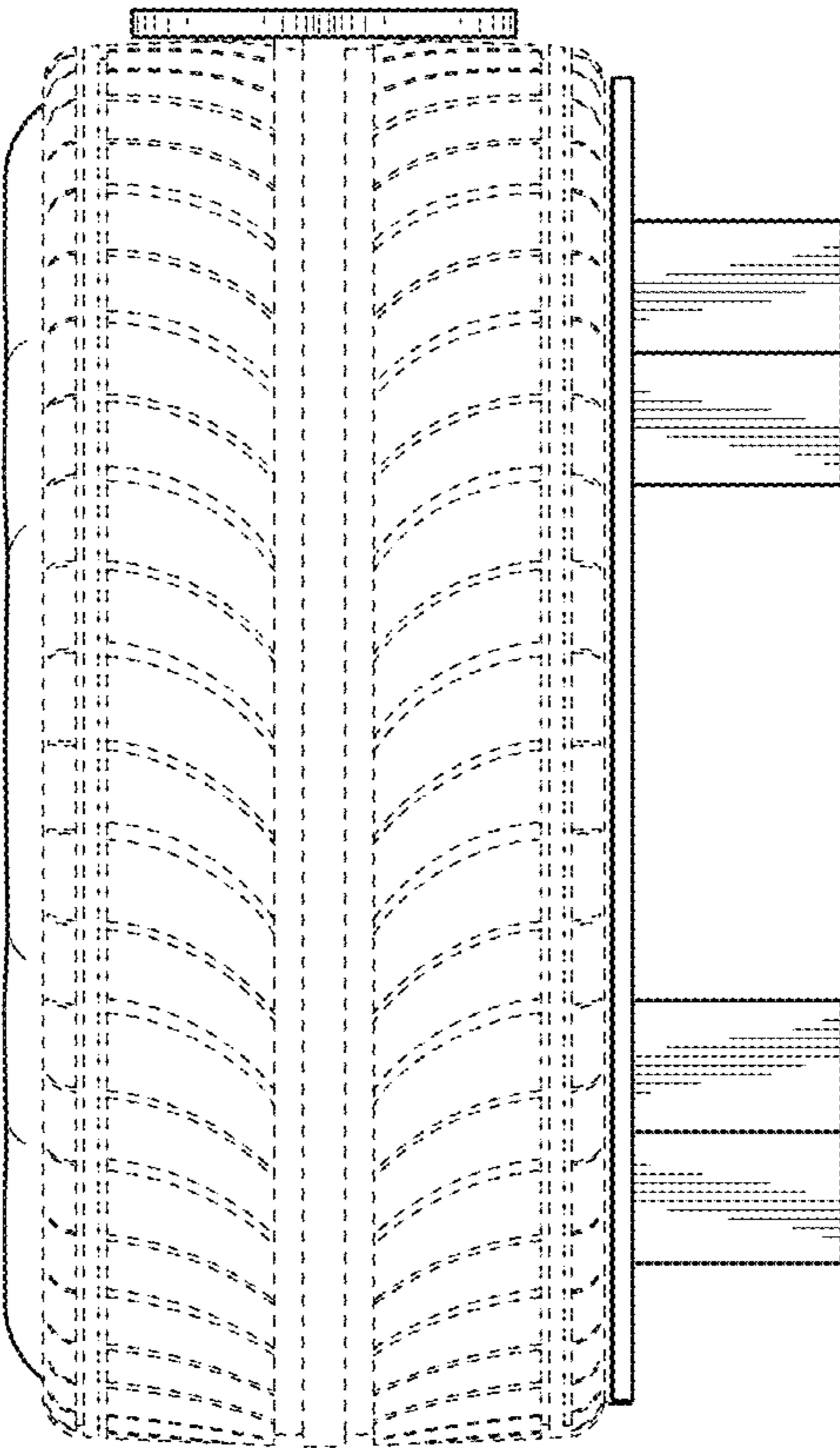


FIG. 5

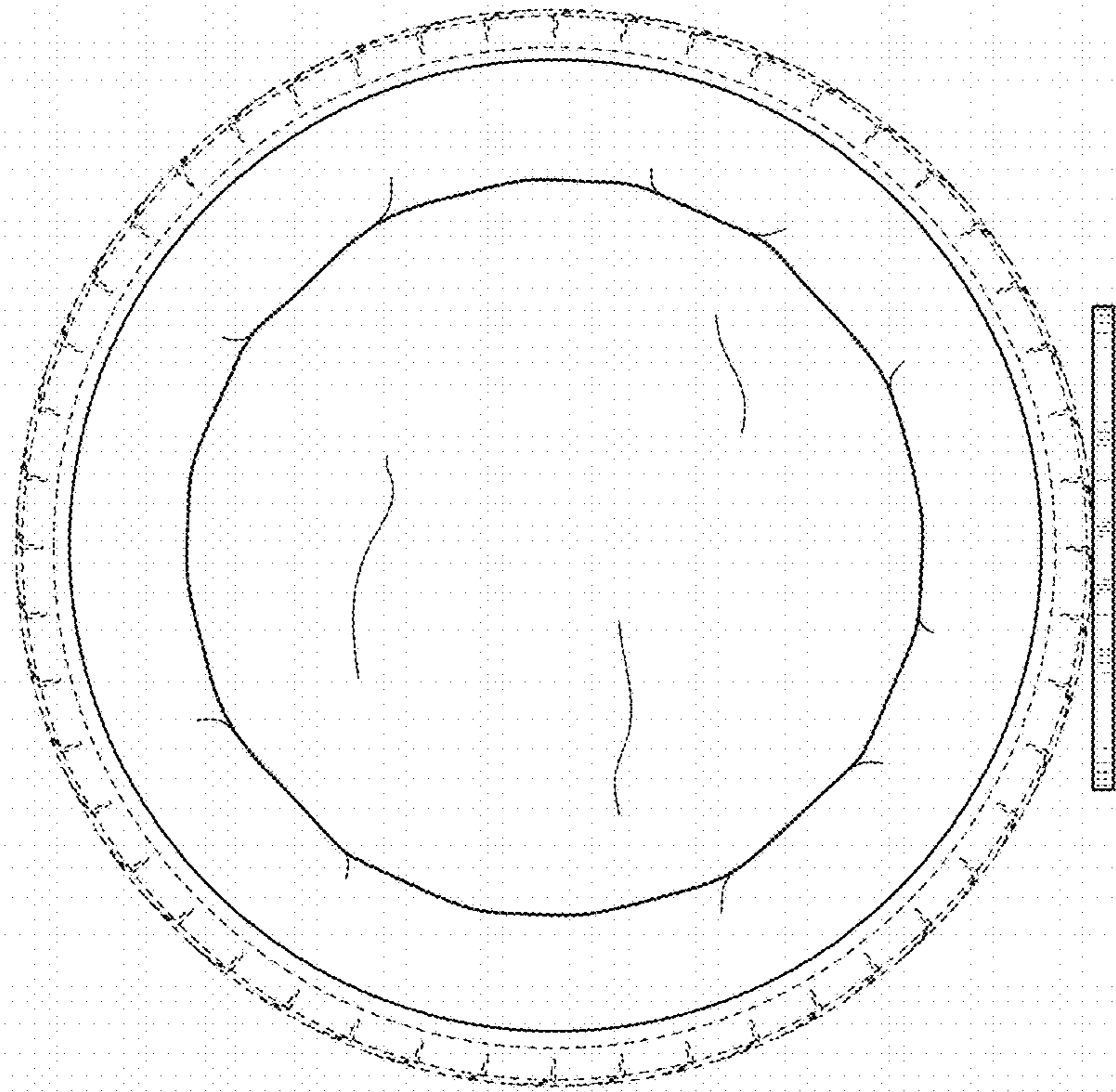


FIG. 6

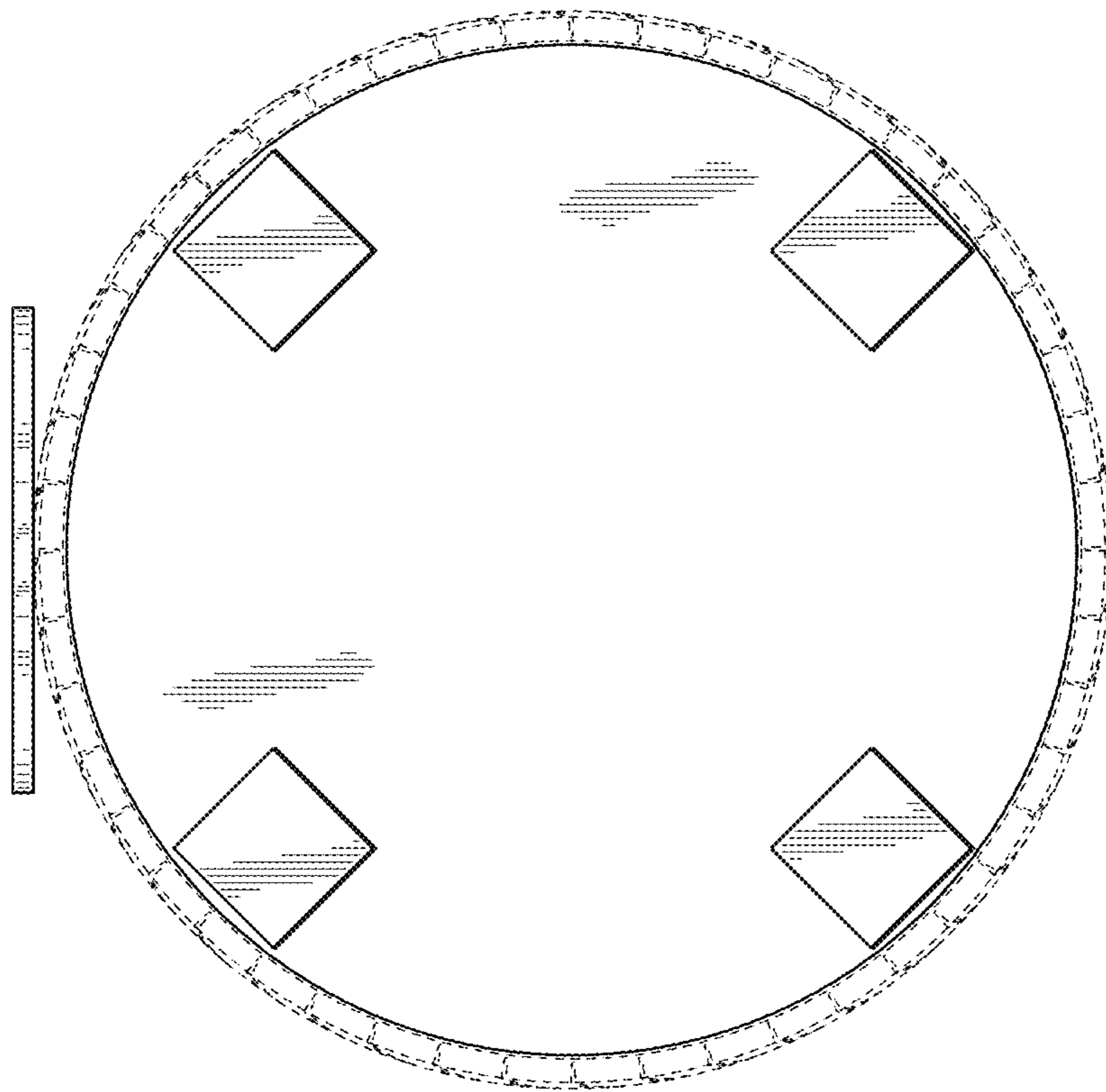


FIG. 7



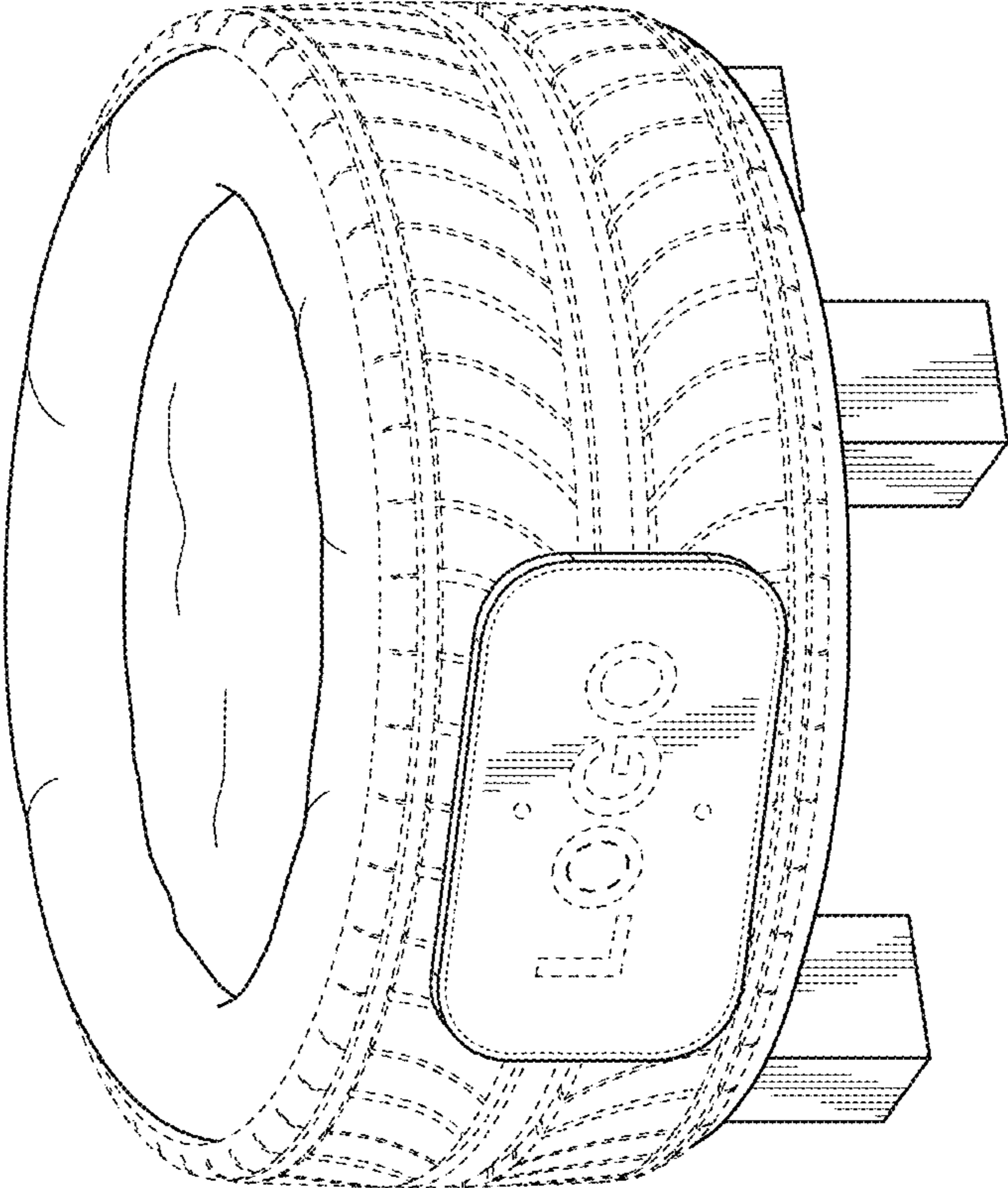


FIG. 8