



US00D818204S

(12) **United States Design Patent**
Renforth

(10) **Patent No.:** **US D818,204 S**

(45) **Date of Patent:** **** May 15, 2018**

(54) **PET CARRIER**

(71) Applicant: **Doskocil Manufacturing Company, Inc.**, Arlington, TX (US)

(72) Inventor: **Jack Renforth**, Azle, TX (US)

(73) Assignee: **DOSKOCIL MANUFACTURING COMPANY, INC.**, Arlington, TX (US)

(**) Term: **15 Years**

(21) Appl. No.: **29/557,608**

(22) Filed: **Mar. 10, 2016**

(51) **LOC (11) Cl.** **30-02**

(52) **U.S. Cl.**
USPC **D30/109**

(58) **Field of Classification Search**
USPC D30/108, 109, 112, 113, 114, 115, 117,
D30/118, 119, 151, 154, 158, 160, 199,
D30/242, 209; D3/201, 203.3, 203.6,
D3/224, 225, 226, 230, 276, 285, 288,
D3/289, 301, 220, 231–233, 240–243,
D3/245–246, 273

(Continued)

(56) **References Cited**

U.S. PATENT DOCUMENTS

D398,083 S * 9/1998 Martz D3/273
D523,995 S * 6/2006 Knittle D30/109

(Continued)

OTHER PUBLICATIONS

Brand New Doskocil Manufacturing CO INC Petmate Kennel,[online], [site visited Jun. 20, 2017]. Available from Internet, <URL:https://sites.google.com/site/michaelhromanowski/brand-new-doskocil-manufacturing-co-inc-petmate-kennel-cab-soft-sided-20-x-11-5-x-12-black-dog-products-dog-containment-carriers>.*

(Continued)

Primary Examiner — Caron D Veynar

Assistant Examiner — Katrina N Gonzalez

(74) *Attorney, Agent, or Firm* — Global IP Counselors, LLP

(57) **CLAIM**

The ornamental design for a pet carrier, as shown and described.

DESCRIPTION

FIG. 1 is a top perspective view of a pet carrier in accordance with my new design;

FIG. 2 is a bottom perspective view of the pet carrier in accordance with my new design of FIG. 1;

FIG. 3 is a side view of the pet carrier in accordance with my new design of FIGS. 1 to 2;

FIG. 4 is a side view of the pet carrier in accordance with my new design of FIGS. 1 to 3;

FIG. 5 is a front view of the pet carrier in accordance with my new design of FIGS. 1 to 4;

FIG. 6 is a back view of the pet carrier in accordance with my new design of FIGS. 1 to 5;

FIG. 7 is a top view of the pet carrier in accordance with my new design of FIGS. 1 to 6;

FIG. 8 is a bottom view of the pet carrier in accordance with my new design of FIGS. 1 to 7;

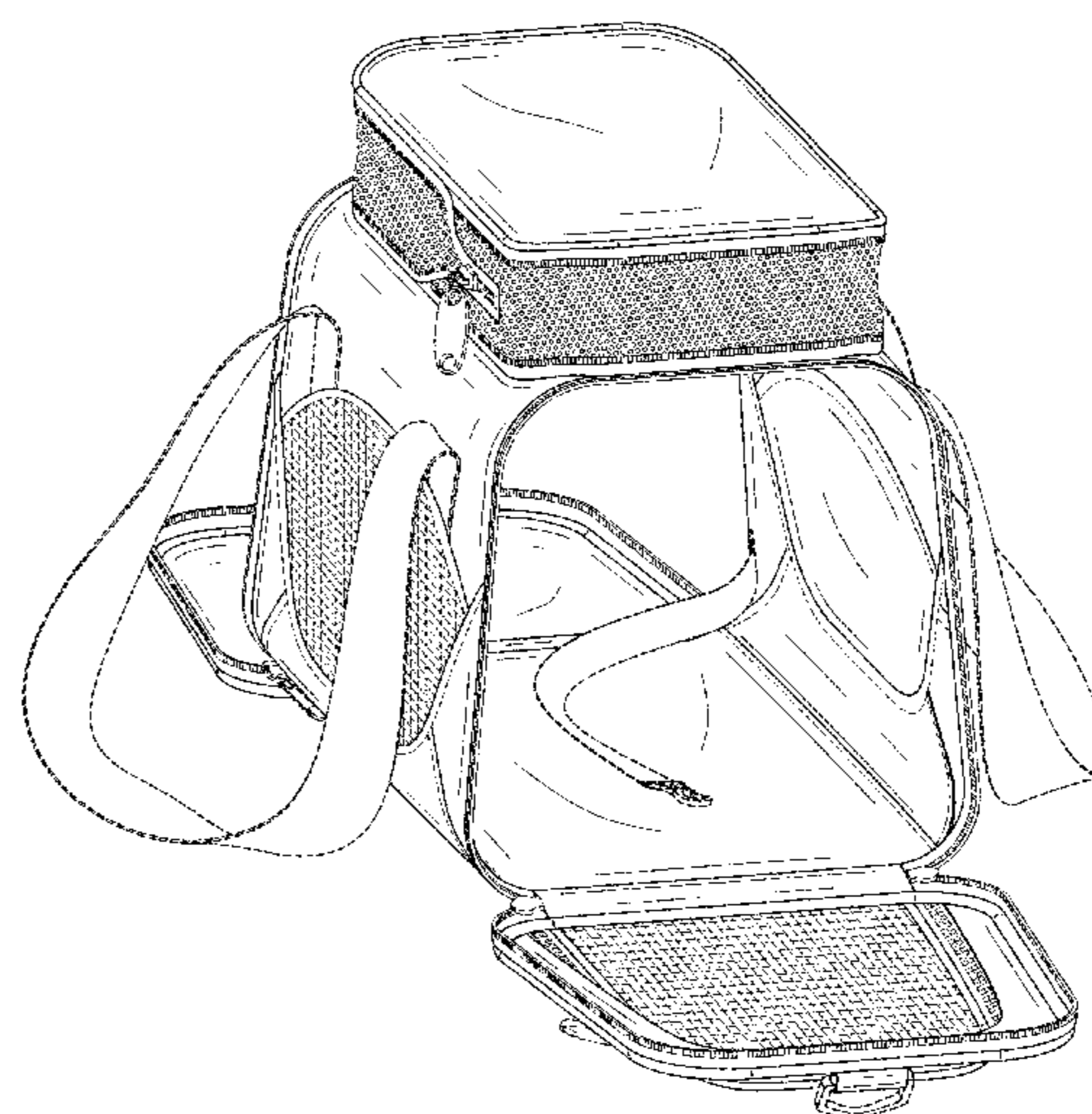
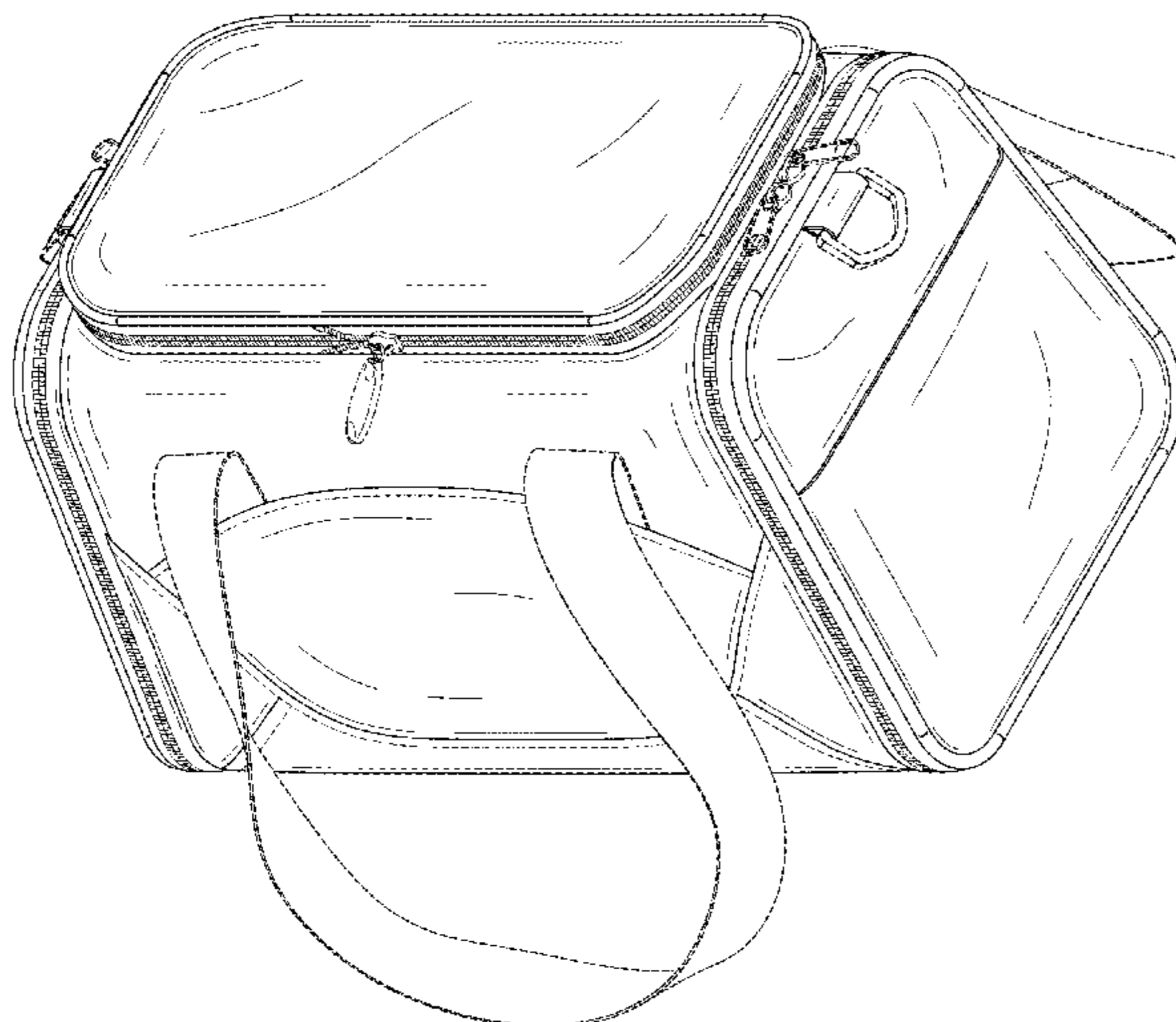
FIG. 9 is a top perspective view of the pet carrier with the front panel and top panel in an open position in accordance with my new design of FIGS. 1 to 8;

FIG. 10 is a front perspective view of the pet carrier with the front panel, top panel, and back panel in an open position in accordance with my new design of FIGS. 1 to 9; and,

FIG. 11 is a side view of the pet carrier with the front panel, top panel, and back panel in an open position and with the front pocket of the front panel in an open position in accordance with my new design of FIGS. 1 to 10.

The broken lines are shown for the purpose of illustrating parts of the pet carrier that form no part of the claimed design.

1 Claim, 11 Drawing Sheets



(58) **Field of Classification Search**

CPC A01K 1/00; A01K 31/22; A01K 31/17;
 A01K 1/033; A01K 1/035; A01K 31/18;
 A01K 1/0245; A01K 1/0353; A01K 1/03;
 A01K 1/0254; A01K 31/08; A01K 31/32;
 A01K 1/032; E04H 15/40; E04H 15/18;
 E04H 15/00; E04H 15/34; A45C 1/024;
 A45C 3/06

See application file for complete search history.

(56) **References Cited**

U.S. PATENT DOCUMENTS

D548,408	S	*	8/2007	Martz	D3/273
D560,450	S	*	1/2008	Tagliati	D3/287
D575,461	S	*	8/2008	Cannon	D3/273
D649,719	S	*	11/2011	Siklosi	D30/109
D662,263	S	*	6/2012	Chau	D30/109
D662,264	S	*	6/2012	Chau	D30/109
D677,011	S	*	2/2013	Cirincione	D30/109
D680,739	S	*	4/2013	Hock	D3/289
D685,952	S	*	7/2013	Dixon	D30/109
D705,497	S	*	5/2014	Renforth	D30/108
D715,500	S	*	10/2014	Renforth	D30/109
D717,502	S	*	11/2014	Dixon	D30/109

2008/0216760	A1*	9/2008	Cannon	A01K 1/0254	119/497
2011/0005467	A1*	1/2011	Siklosi	A01K 1/0245	119/497
2012/0186533	A1*	7/2012	Lu	A01K 1/0254	119/497

OTHER PUBLICATIONS

Sherpa Delta Air Lines Deluxe Pet Carrier Petco,[online], [site visited Jun. 20, 2017]. Available from Internet, <URL:https://www.petco.com/shop/en/petcostore/product/sherpa-delta-air-lines-deluxe-pet-carrier>.*

Petmate See and Pop Top Carrier Blue,[online], [site visited Jun. 20, 2017]. Available from Internet, <URL:http://www.petswarehouse.com/petmate-see-pop-top-carrier-blue-bin-2/?gclid=CLmM8cGMzdQCFQxWDQod3glG-A>.*

Petmate See and Pop Top Pet Carrier—Walmart,[online], [site visited Jun. 20, 2017]. Available from Internet, <URL:https://www.walmart.com/ip/Petmate-See-and-Pop-Top-Pet-Carrier/135812550>.*

Amazon.com,[online], [site visited Jun. 20, 2017]. Available from Internet, <URL:https://www.amazon.com/Petmate-21820-Pets-Carrier-Navy/dp/B00DJRANNK/ref=sr_1_1>.*

* cited by examiner

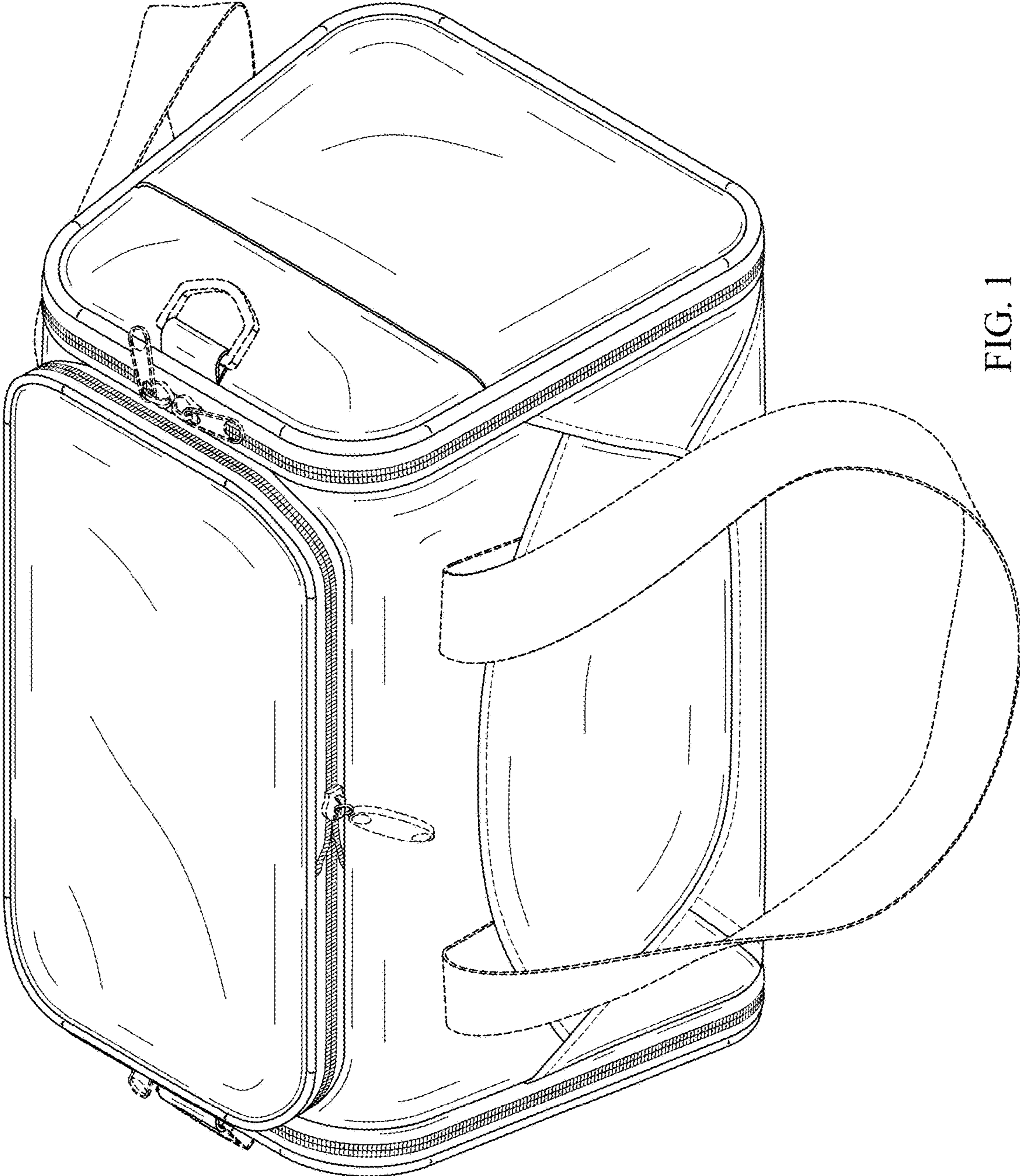


FIG. 1

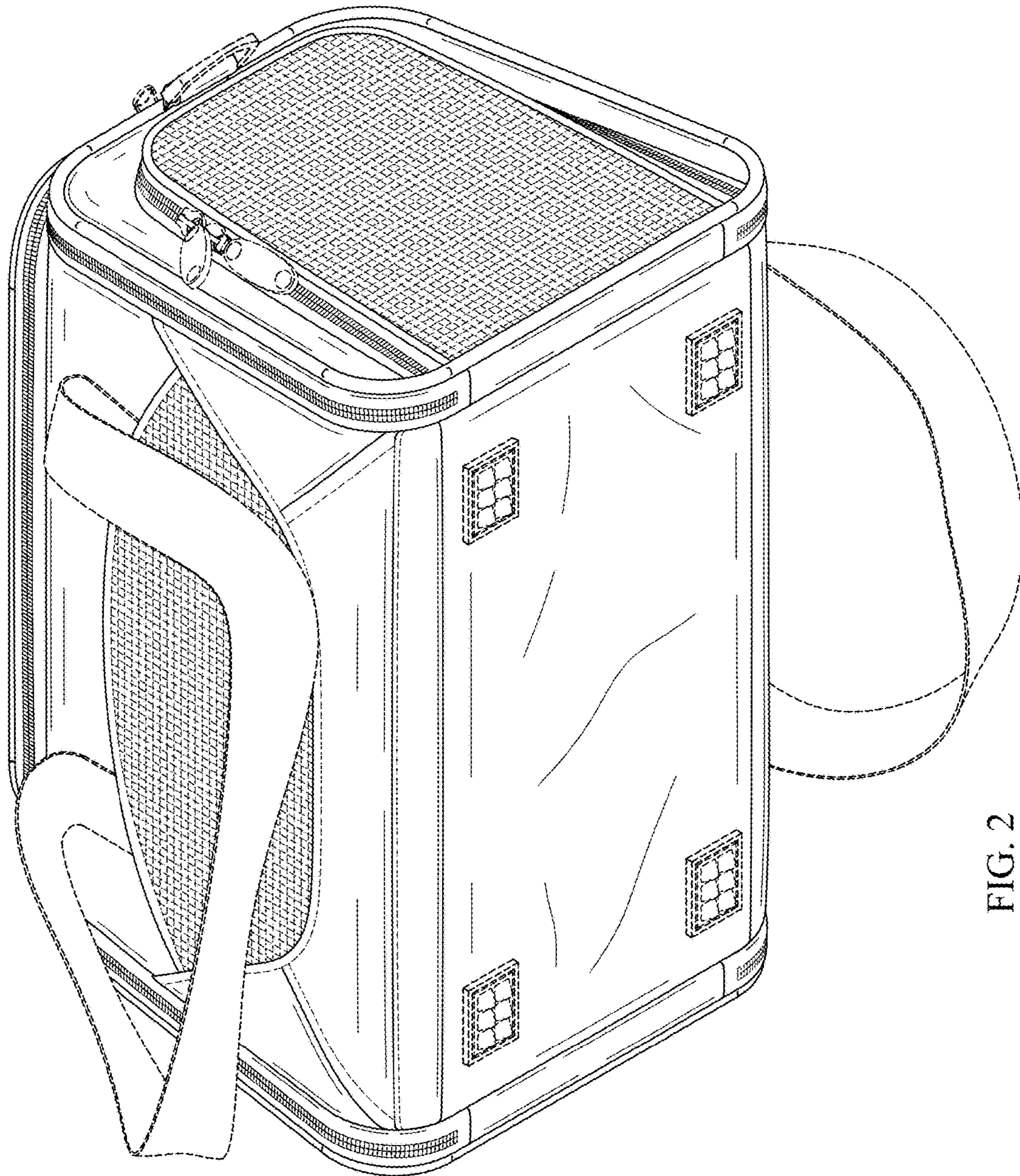


FIG. 2

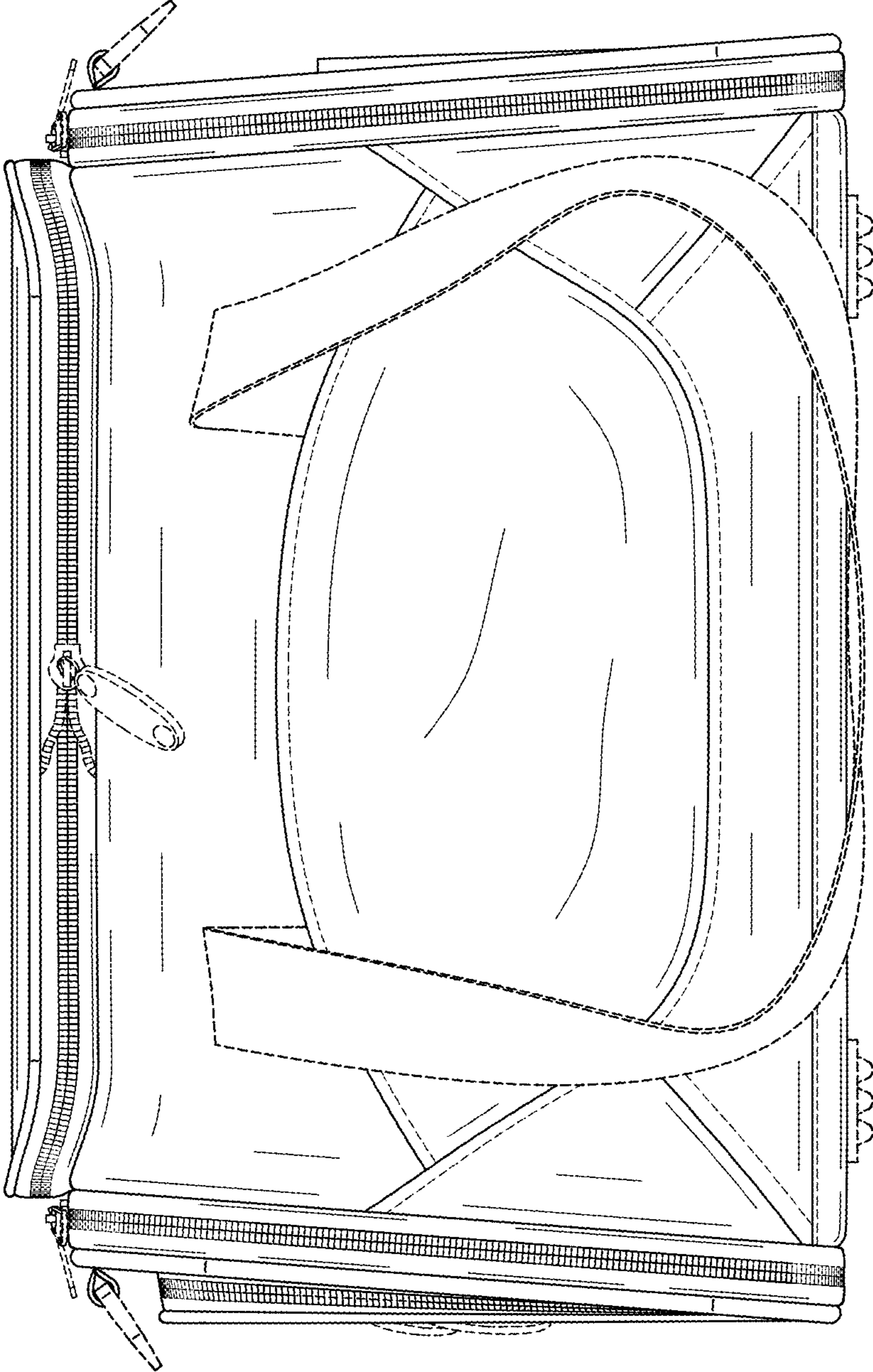


FIG. 3

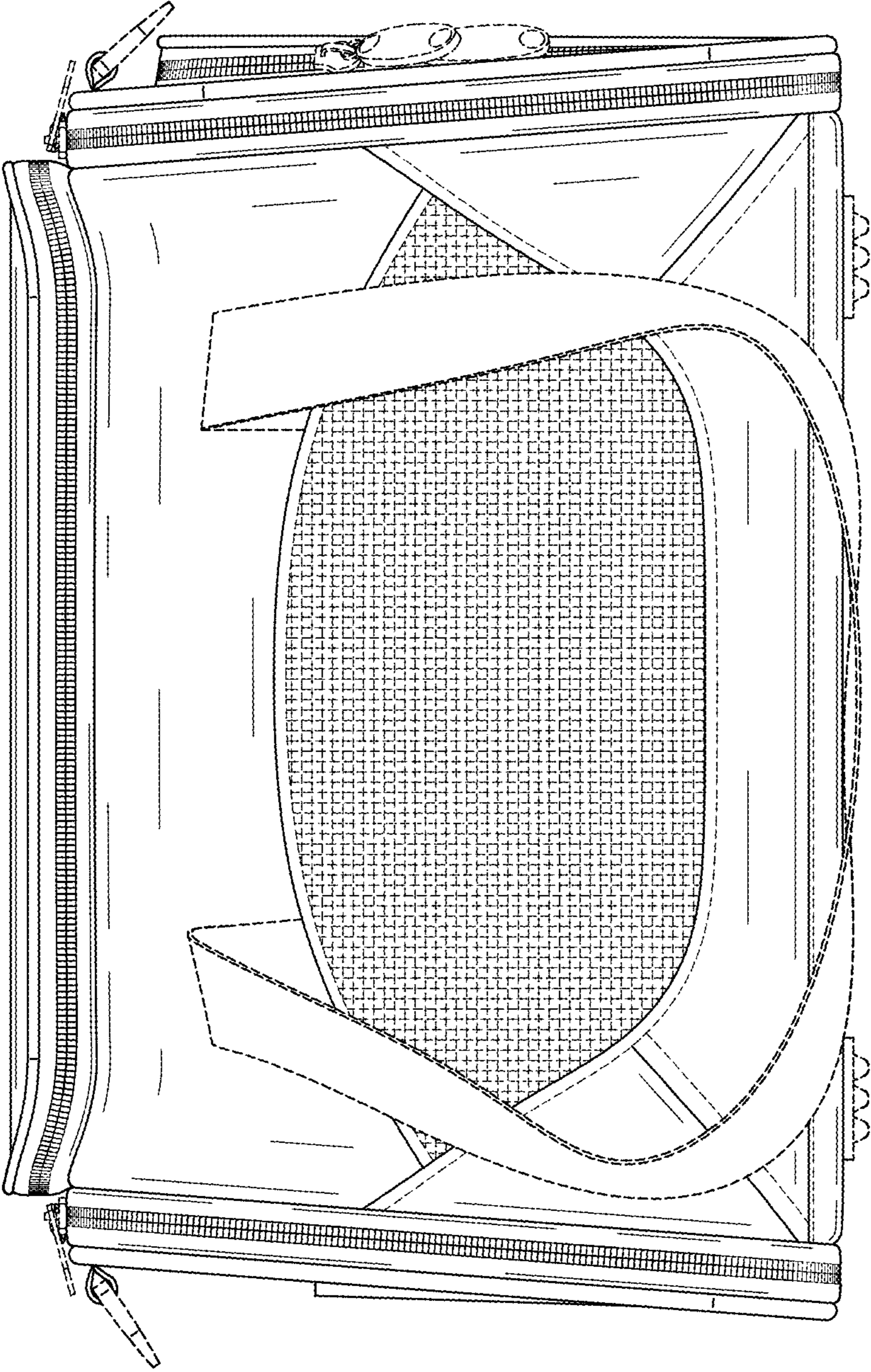


FIG. 4

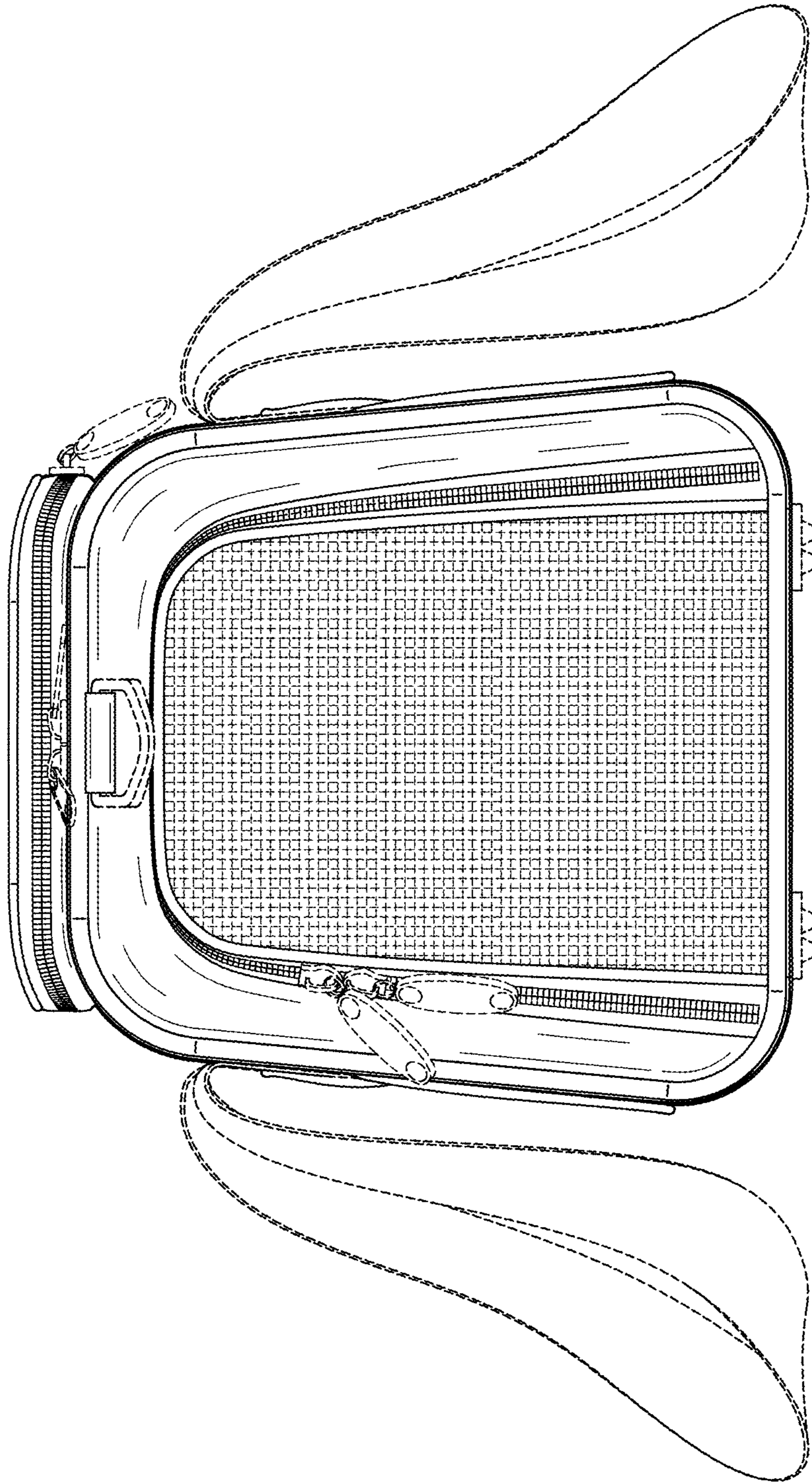


FIG. 5

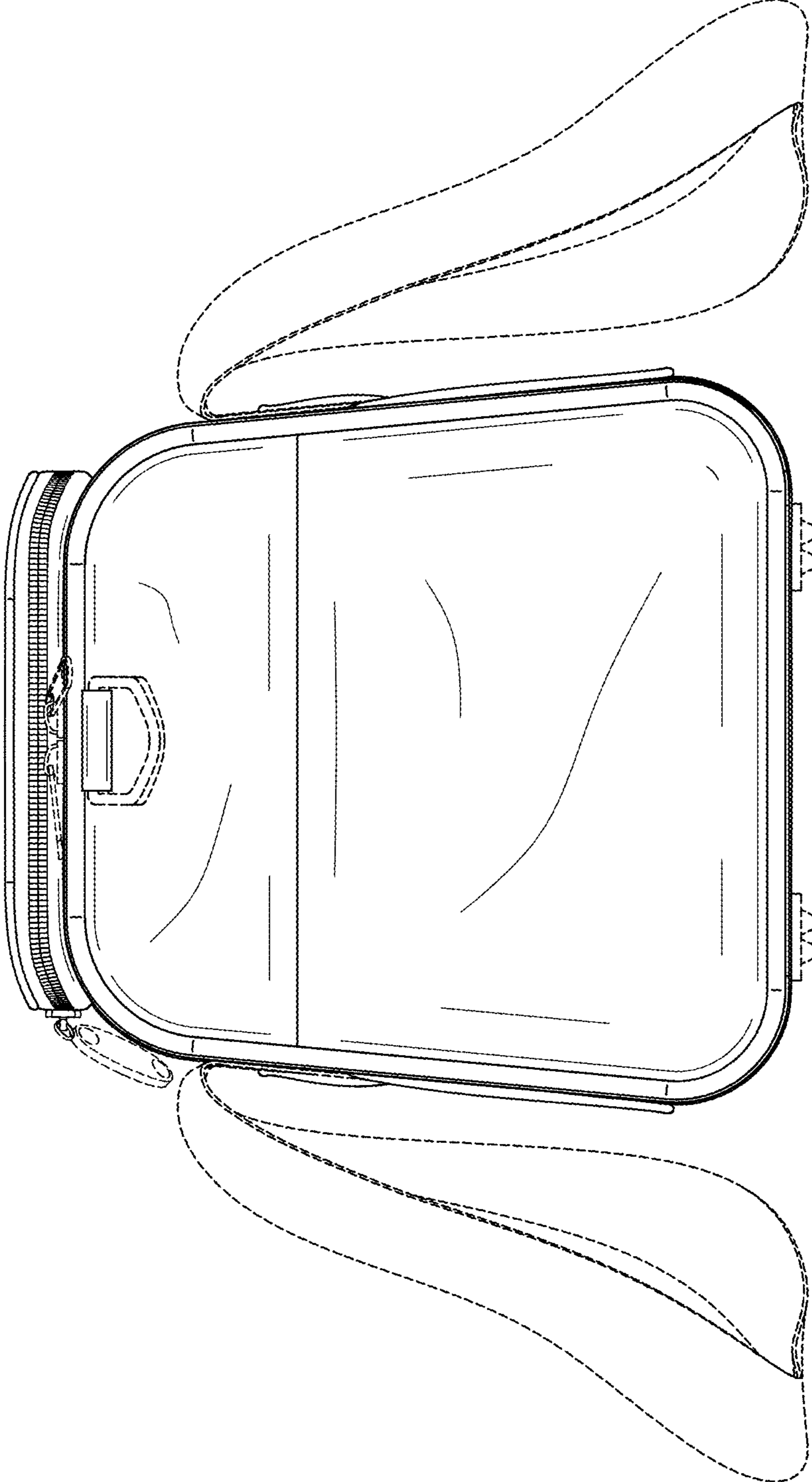


FIG. 6

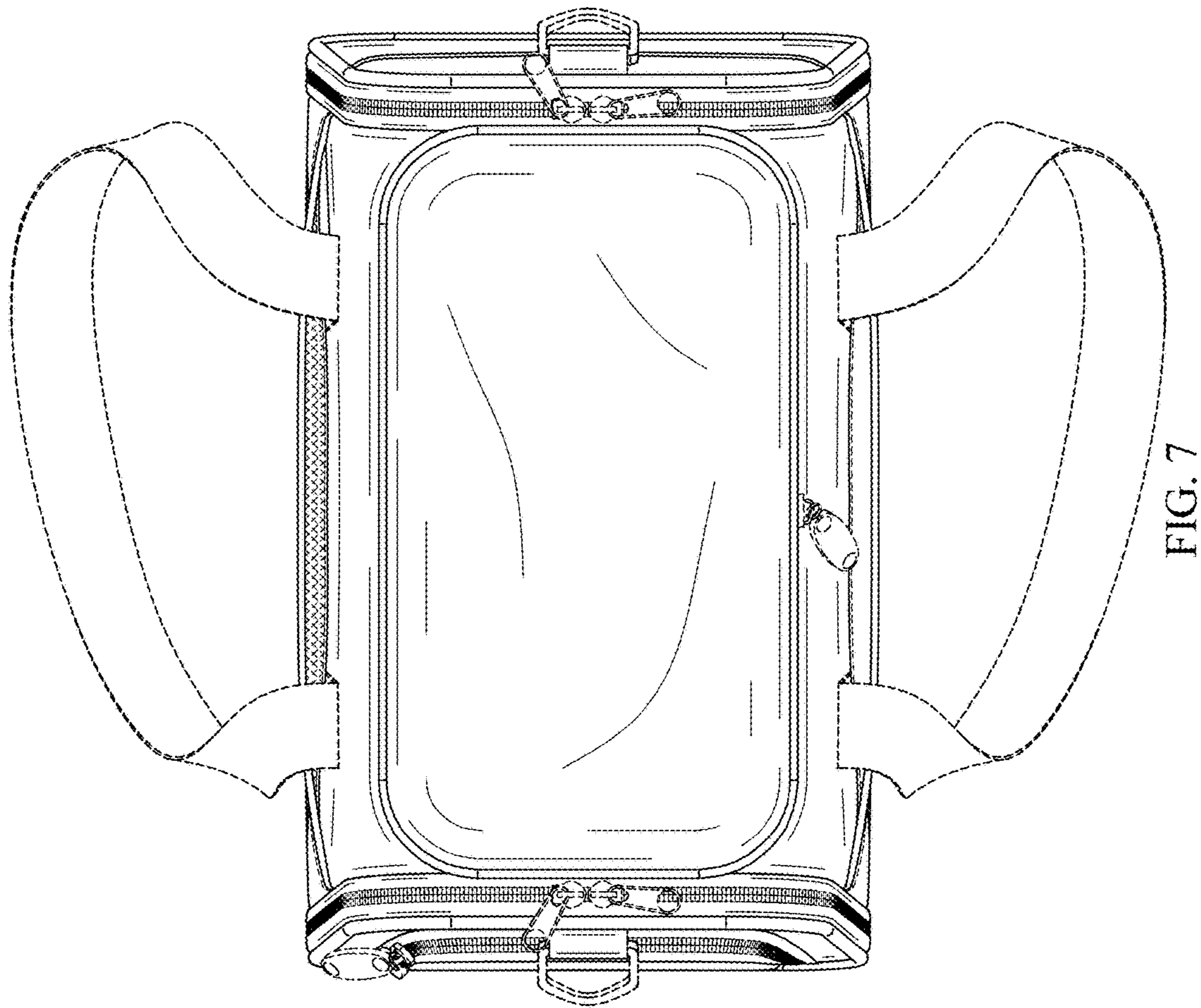


FIG. 7

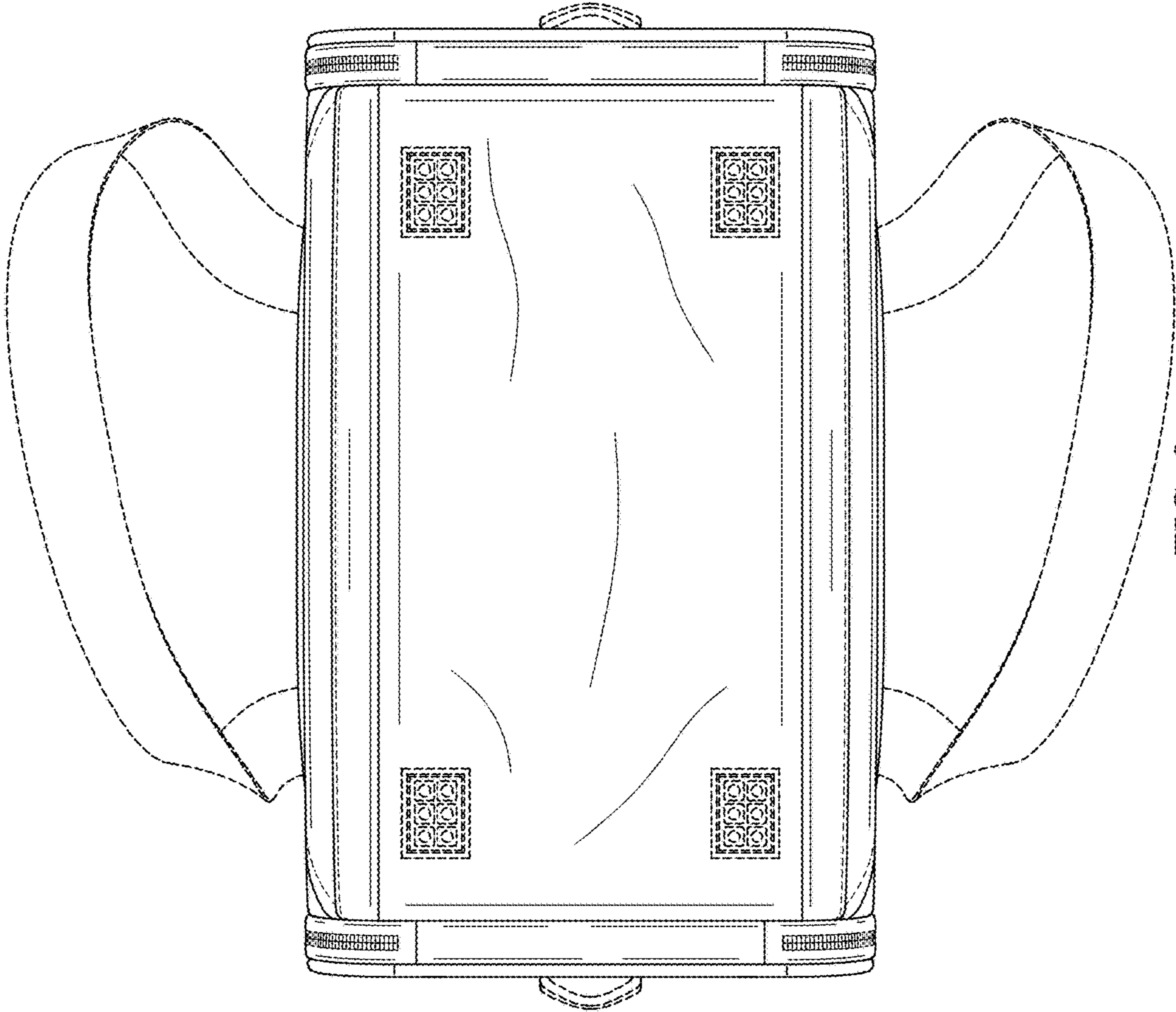


FIG. 8

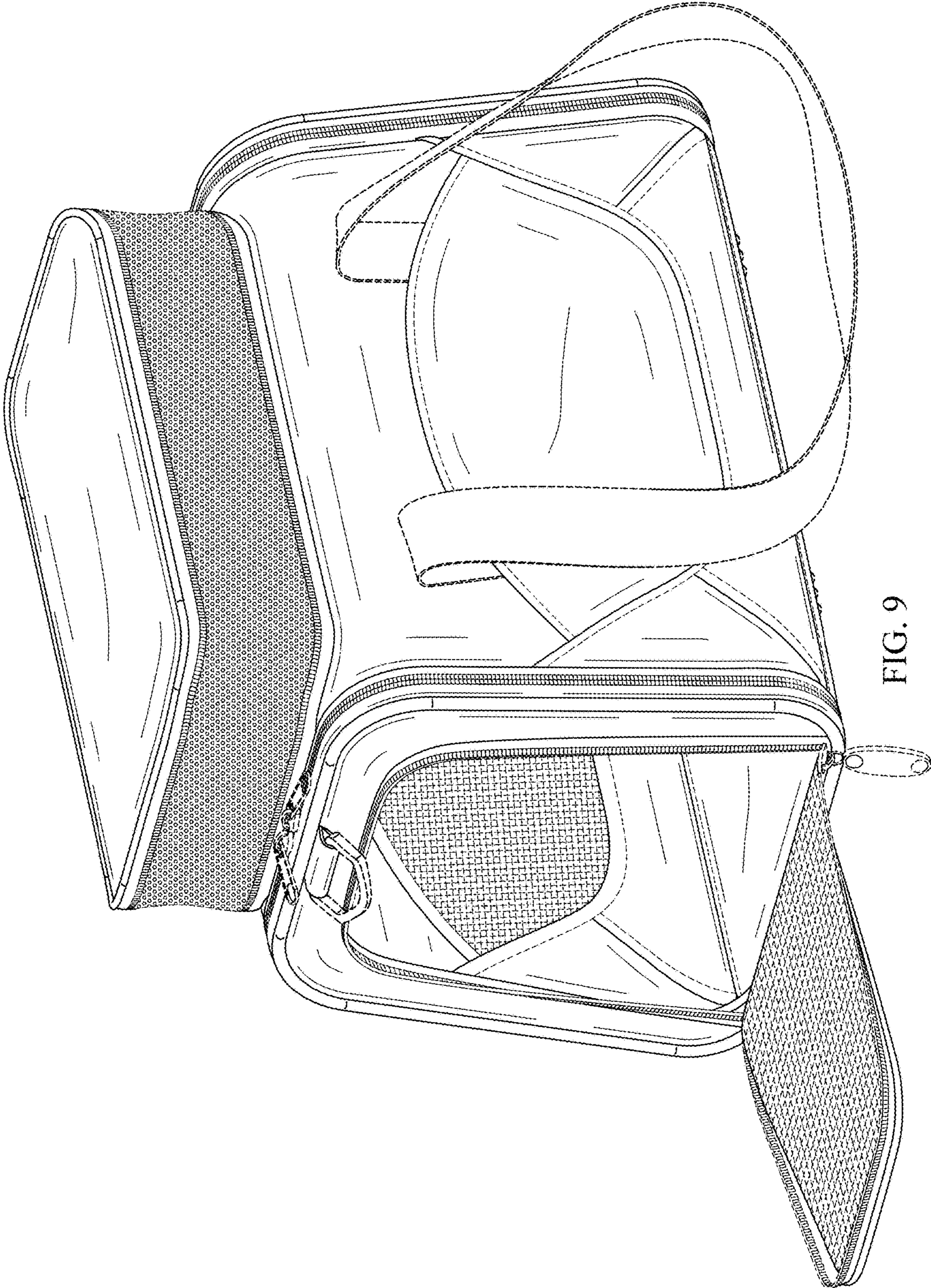


FIG. 9

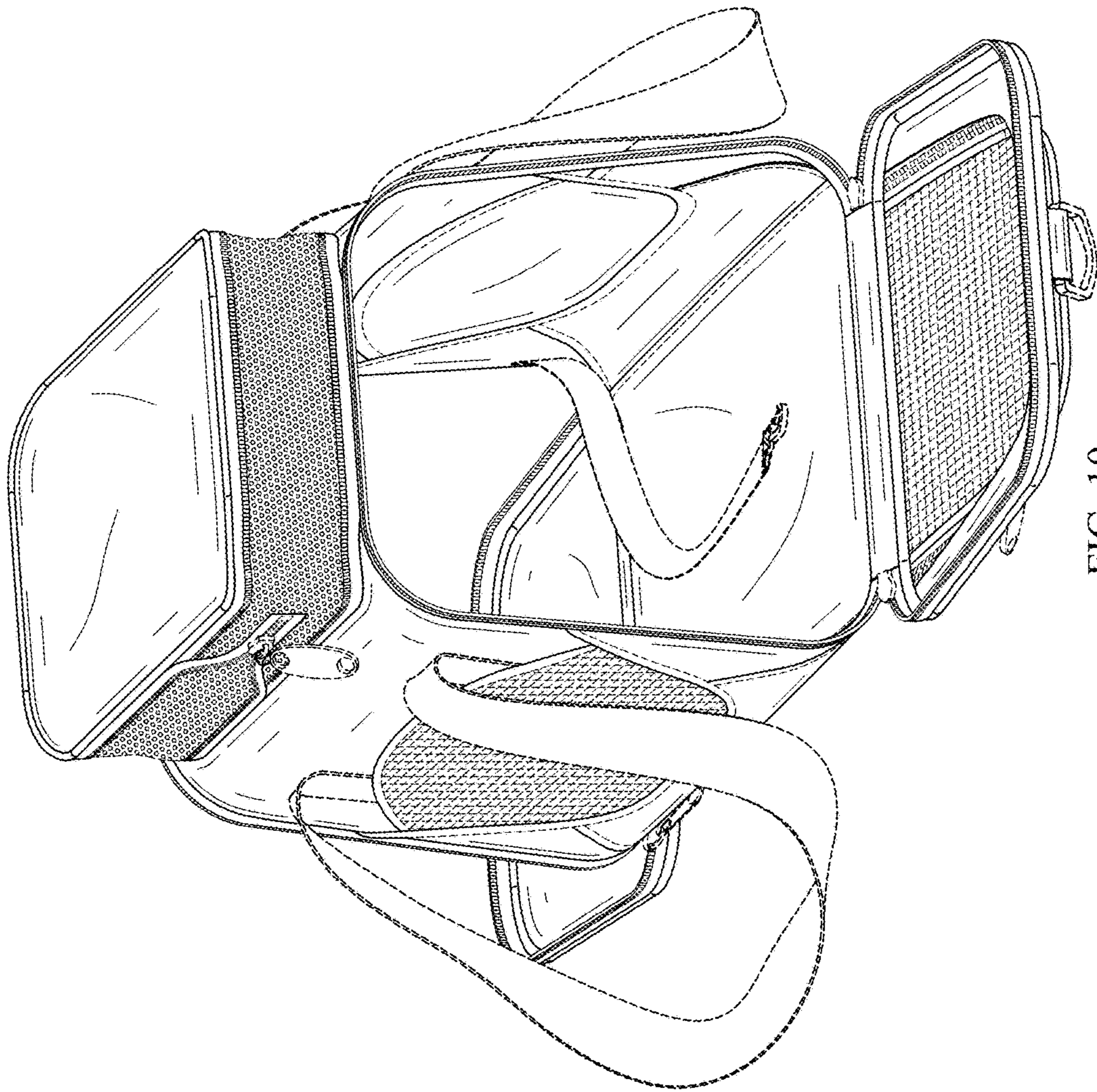


FIG. 10

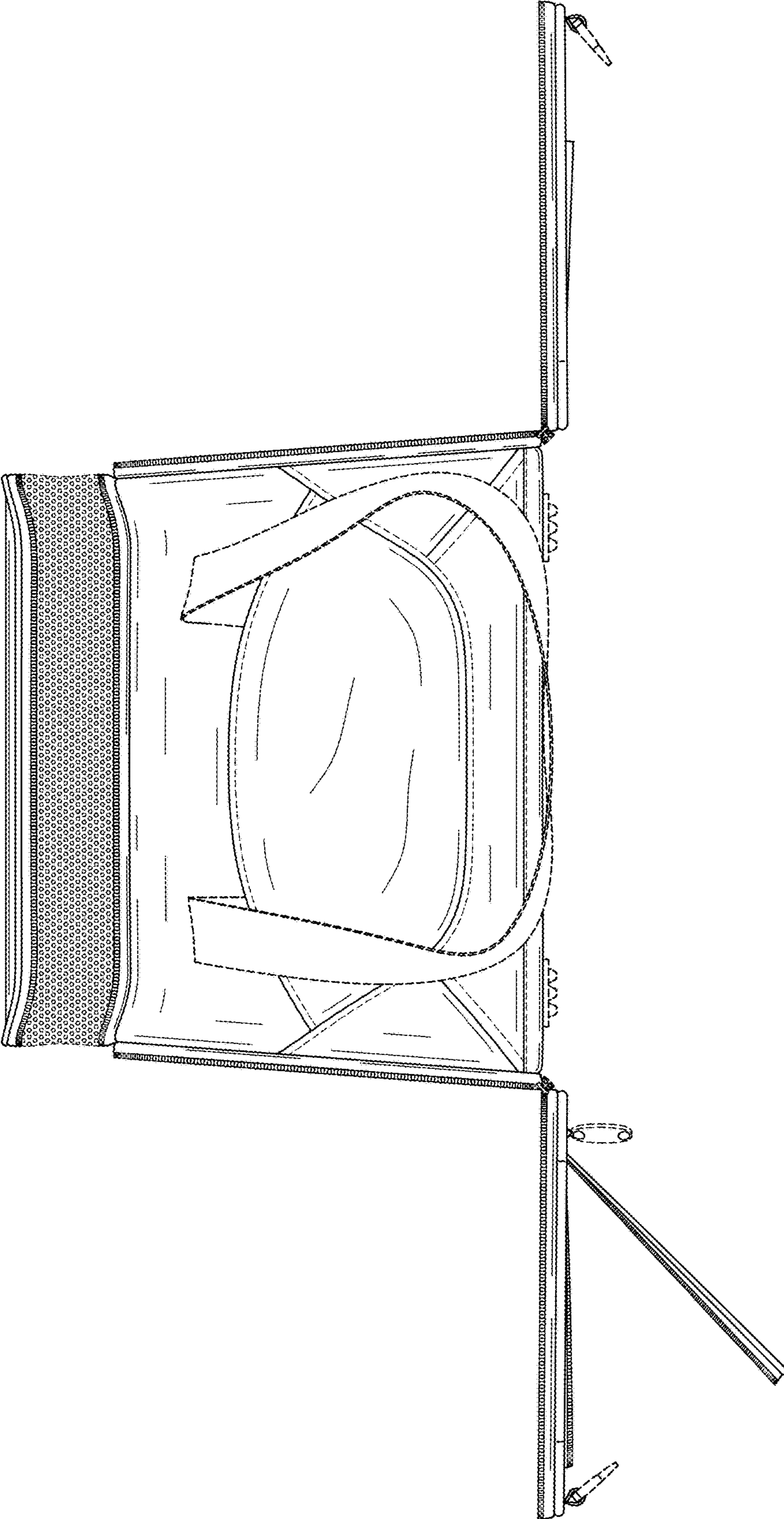


FIG. 11