



US00D818199S

(12) **United States Design Patent**
Kennedy

(10) **Patent No.:** **US D818,199 S**

(45) **Date of Patent:** **** May 15, 2018**

(54) **DENTAL FLOSS HOLDER**

(71) Applicant: **Pauline Grace Kennedy**, Brentwood
(AU)

(72) Inventor: **Pauline Grace Kennedy**, Brentwood
(AU)

(**) Term: **15 Years**

(21) Appl. No.: **29/587,601**

(22) Filed: **Dec. 14, 2016**

(30) **Foreign Application Priority Data**

Jun. 14, 2016 (AU) 201613192

(51) **LOC (11) Cl.** **28-03**

(52) **U.S. Cl.**
USPC **D28/66**

(58) **Field of Classification Search**
USPC D28/65-68, 60, 64.6; D9/339, 424;
206/388, 389, 63.5; 132/323-329
CPC A61C 15/04; A61C 15/043; A61C 15/044;
A61C 15/045; A61C 15/046; A61C
15/047; A61C 15/048
See application file for complete search history.

(56) **References Cited**

U.S. PATENT DOCUMENTS

936,327 A * 10/1909 Kerrick B60K 15/0406
206/37
D266,279 S * 9/1982 Strother D28/66
D305,696 S * 1/1990 Woodman D28/66
4,934,389 A * 6/1990 Pettiford A61C 15/043
132/324
D388,548 S * 12/1997 Hester D28/67
D399,603 S * 10/1998 Hemsley, Jr. D28/66
6,832,615 B2 * 12/2004 Hensel A61C 15/043
132/321
D506,290 S * 6/2005 Longoni D28/66
7,201,271 B1 * 4/2007 Saad A45C 11/00
132/315

D543,316 S * 5/2007 Hadtke D28/66
D544,150 S * 6/2007 Aledo D28/66
D641,523 S * 7/2011 Nanda D28/66
8,272,389 B2 * 9/2012 Bish A45D 42/00
132/316
D676,739 S * 2/2013 McGrath, Jr. D7/629

(Continued)

Primary Examiner — Susan Bennett Hattan

Assistant Examiner — Rebecca Tsehaye

(74) *Attorney, Agent, or Firm* — Muncy, Geissler, Olds &
Lowe, P.C.

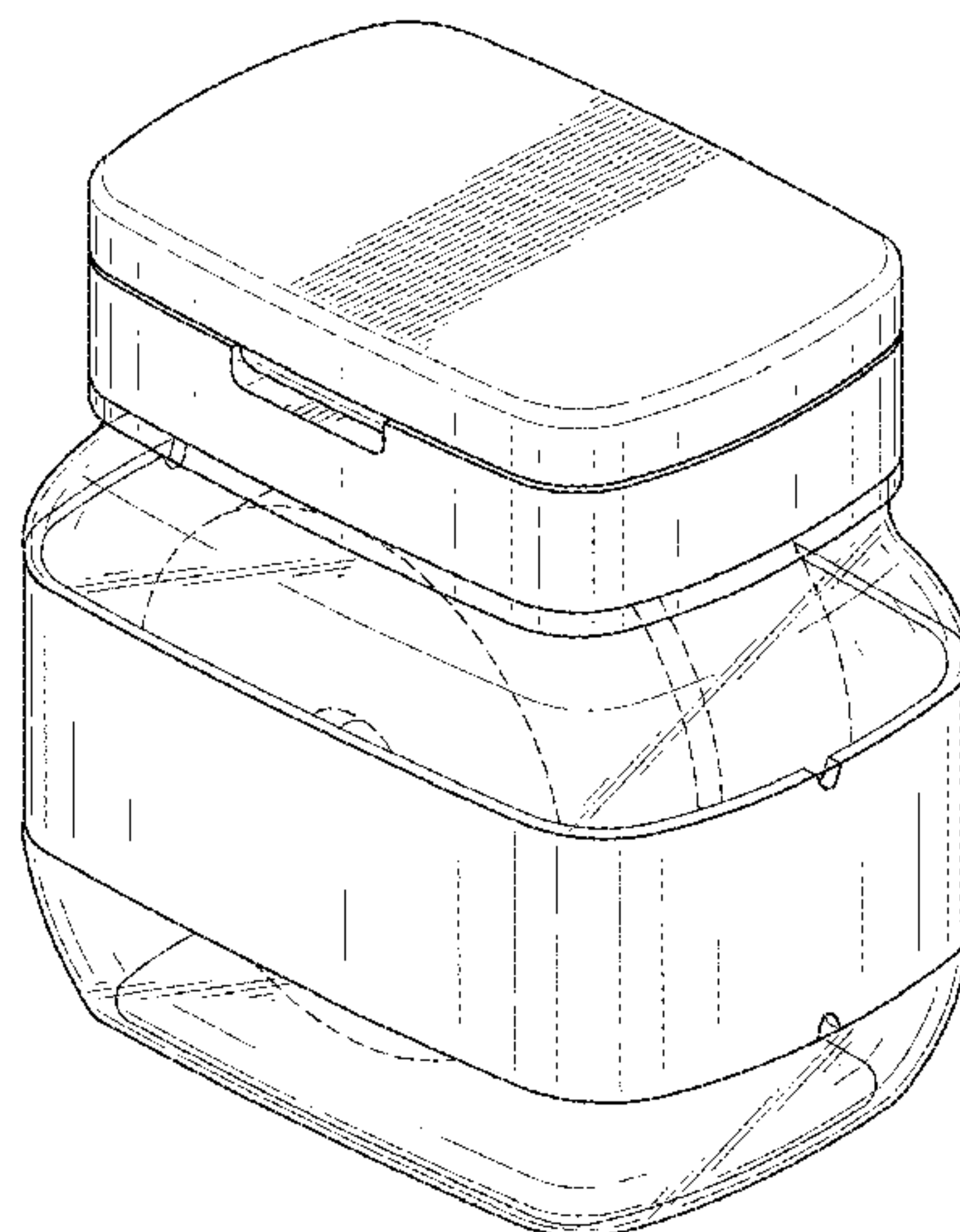
(57) **CLAIM**

The ornamental design for a dental floss holder, as shown
and described.

DESCRIPTION

FIG. 1 is a top perspective view of a dental floss holder
showing my new design;
FIG. 2 is a bottom perspective view thereof;
FIG. 3 is a front elevational view thereof;
FIG. 4 is a rear elevational view thereof;
FIG. 5 is a right side view thereof;
FIG. 6 is a left side view thereof;
FIG. 7 is a top plan view thereof;
FIG. 8 is a bottom plan view thereof;
FIG. 9 is a top perspective view of the dental floss holder,
with the dental floss rolls removed;
FIG. 10 is a bottom perspective view thereof;
FIG. 11 is a front elevational view thereof;
FIG. 12 is a rear elevational view thereof;
FIG. 13 is a right side view thereof;
FIG. 14 is a left side view thereof;
FIG. 15 is a top plan view thereof; and,
FIG. 16 is a bottom plan view thereof.
The broken line showing of the dental floss rolls is for the
purpose of illustrating environment structure which forms
no part of the claimed design.

1 Claim, 16 Drawing Sheets



(56)

References Cited

U.S. PATENT DOCUMENTS

8,701,881 B2 * 4/2014 Gibson A24F 23/00
206/236
D708,788 S * 7/2014 Dinwiddie A61C 15/043
D28/66

* cited by examiner

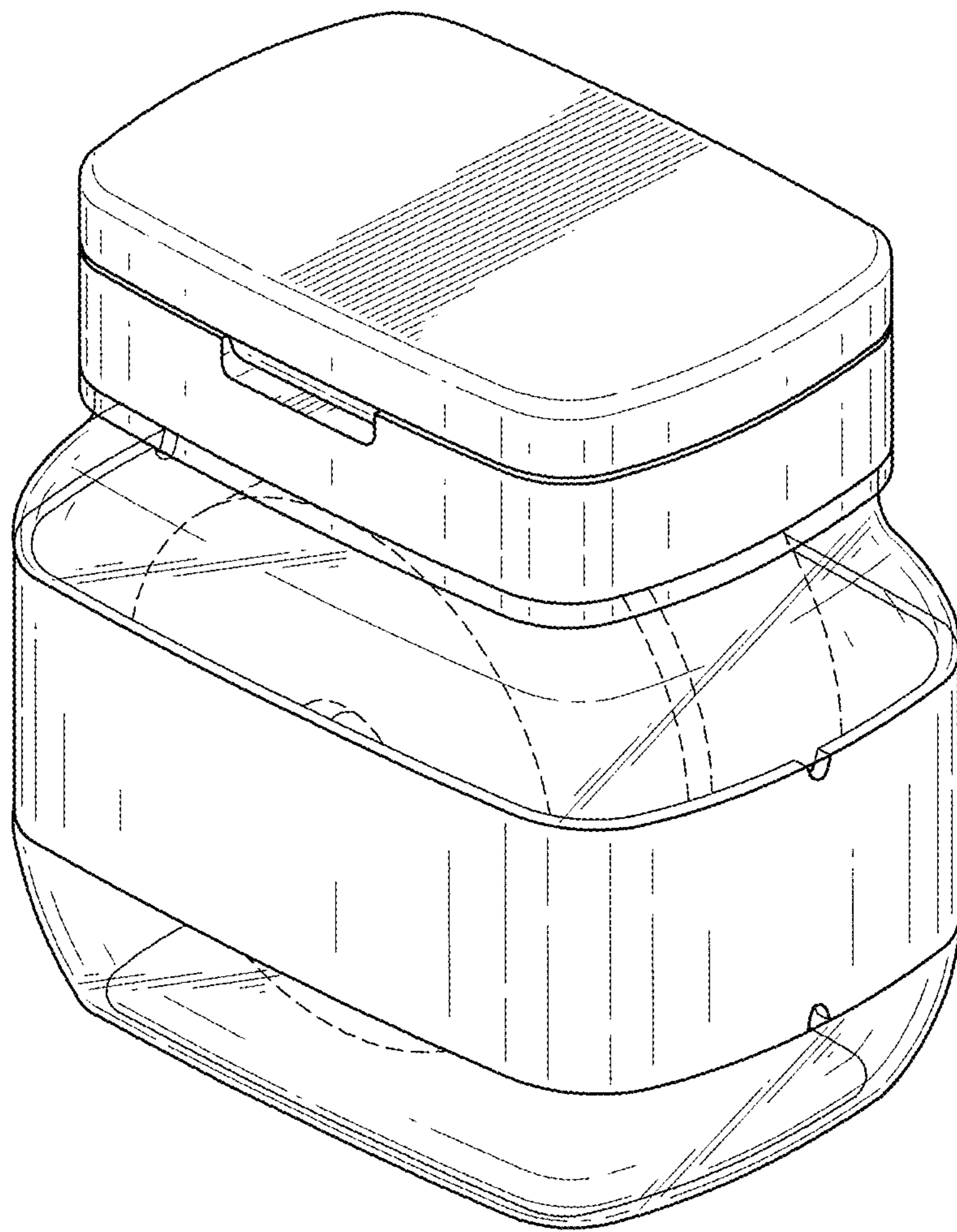


FIG.1

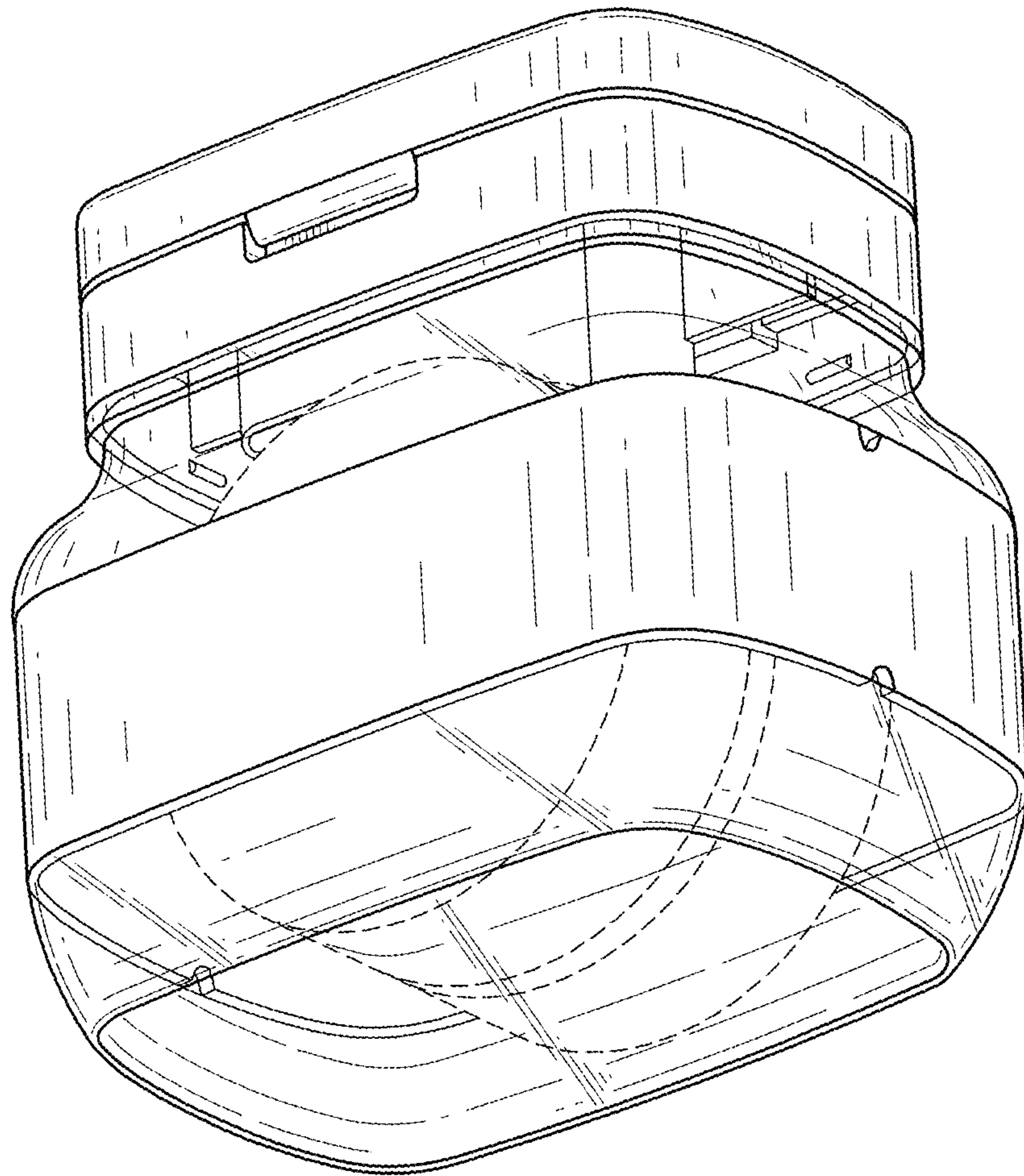


FIG.2

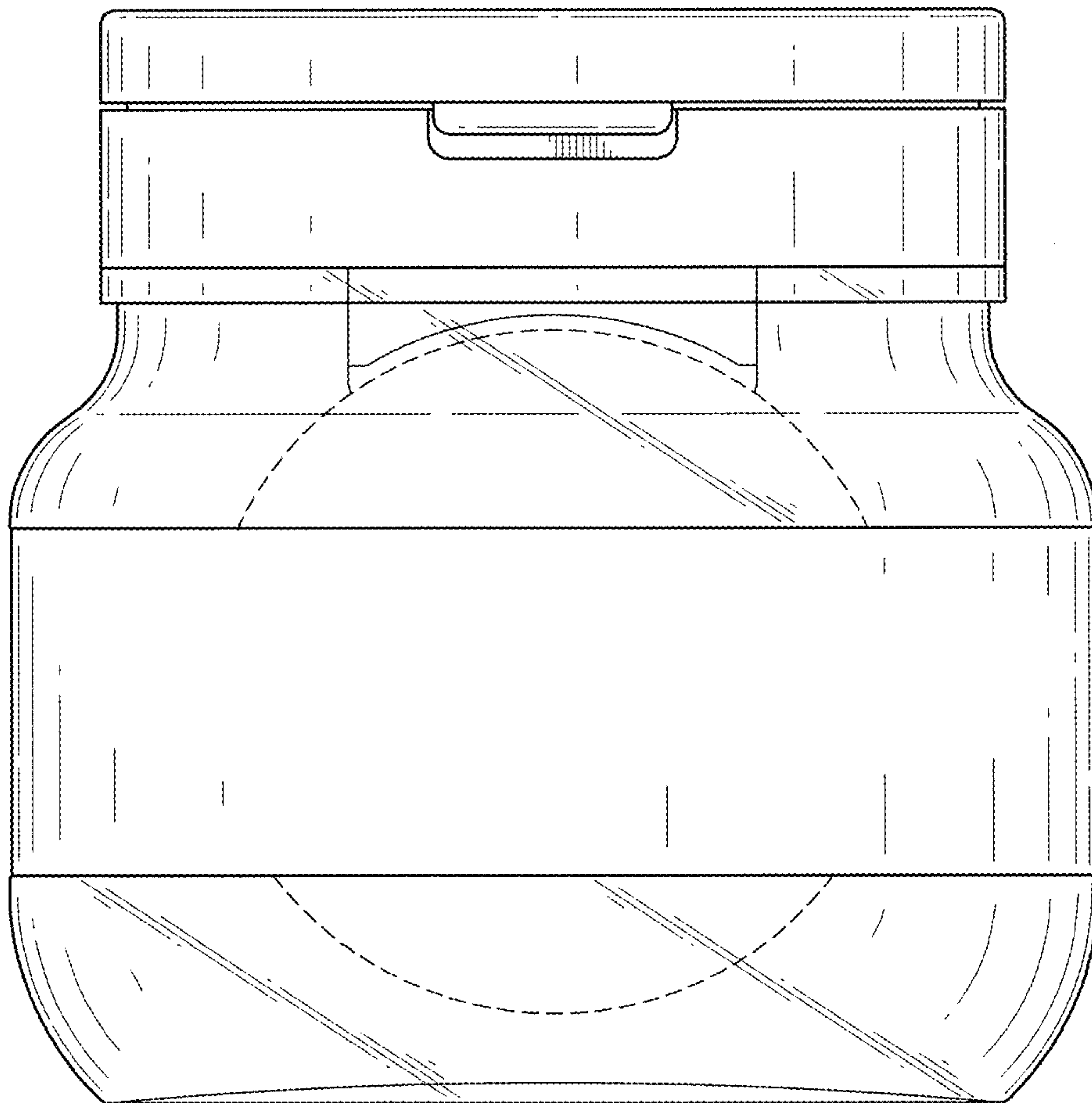


FIG.3

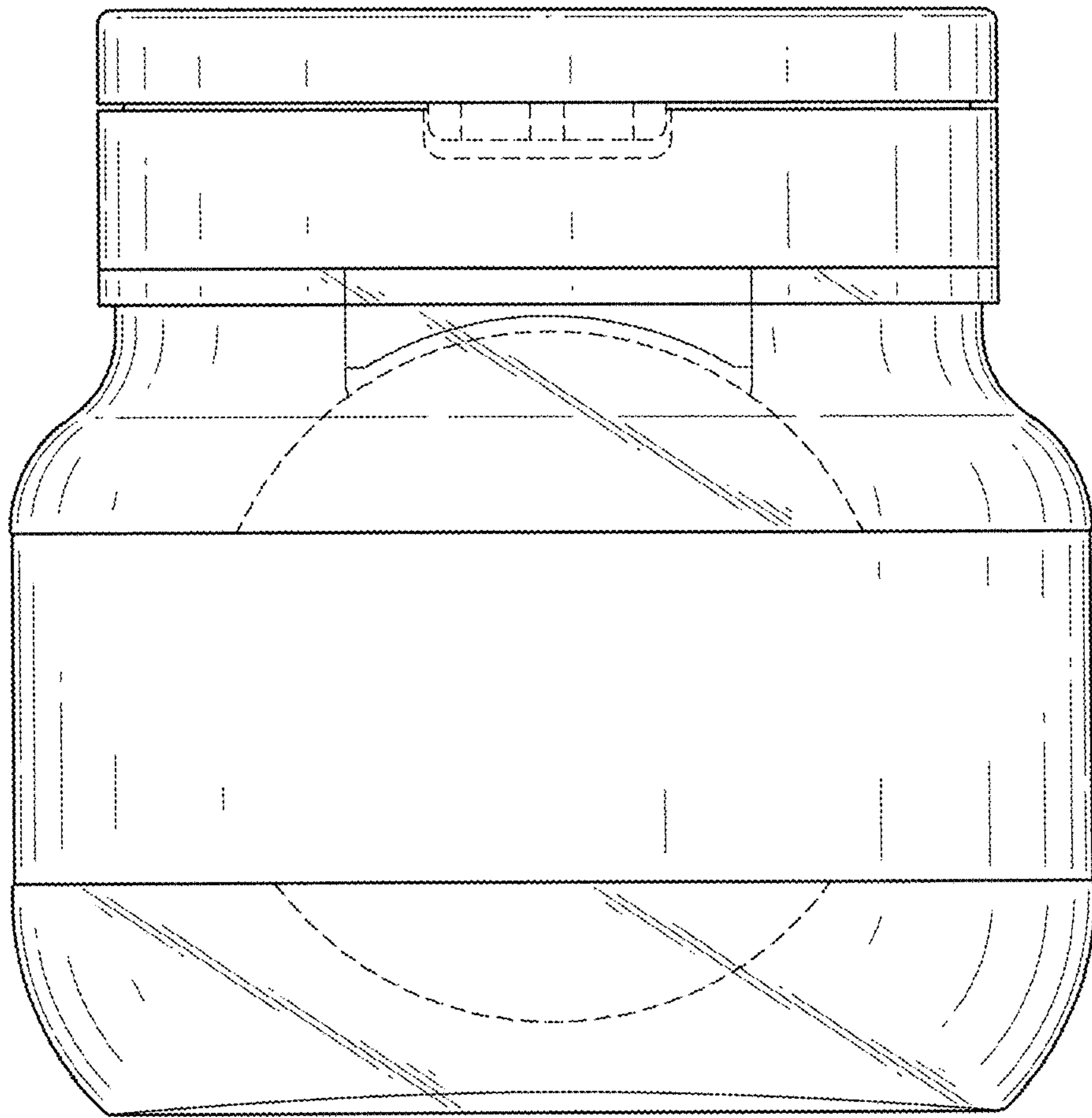


FIG.4

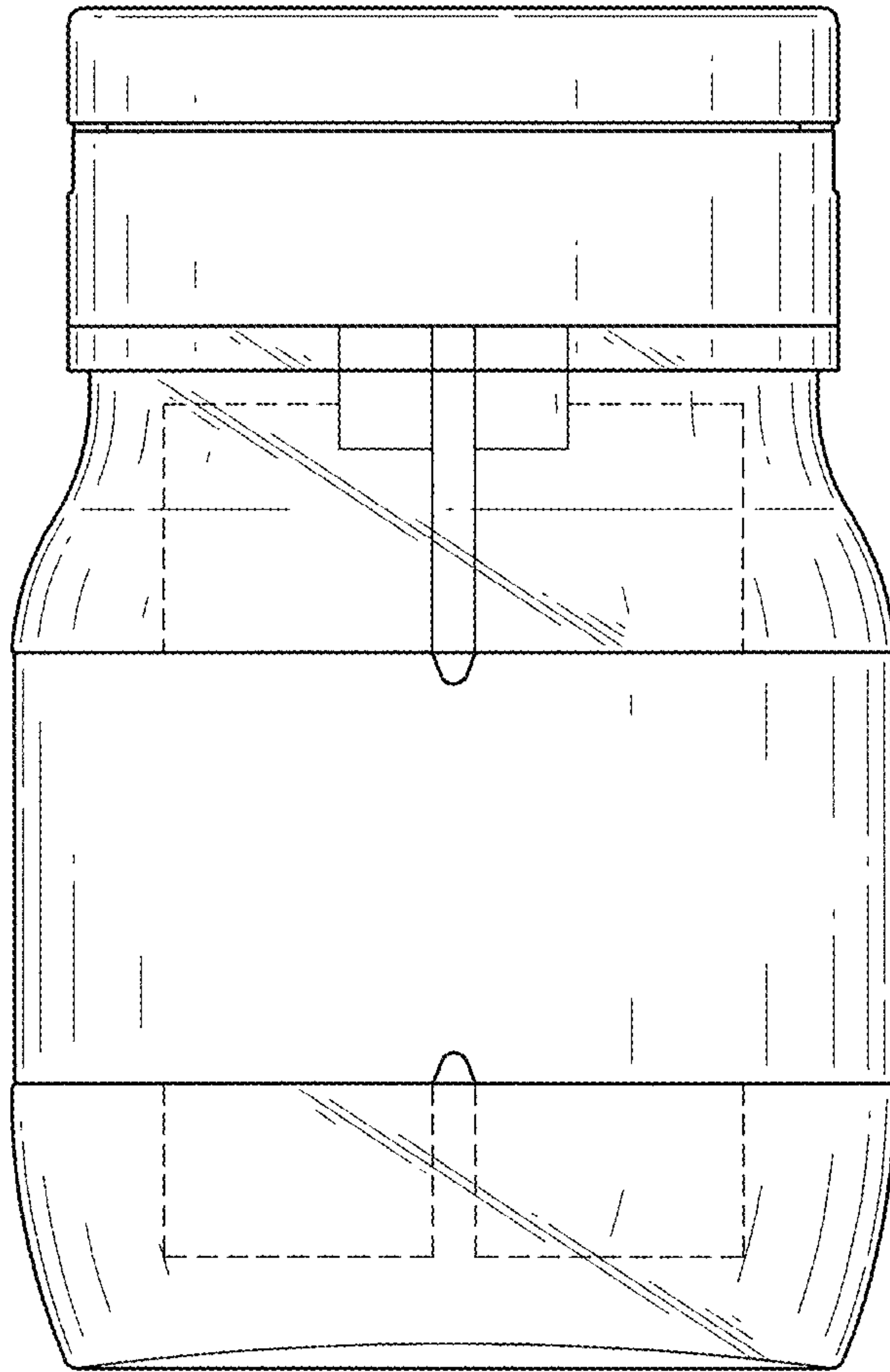


FIG.5

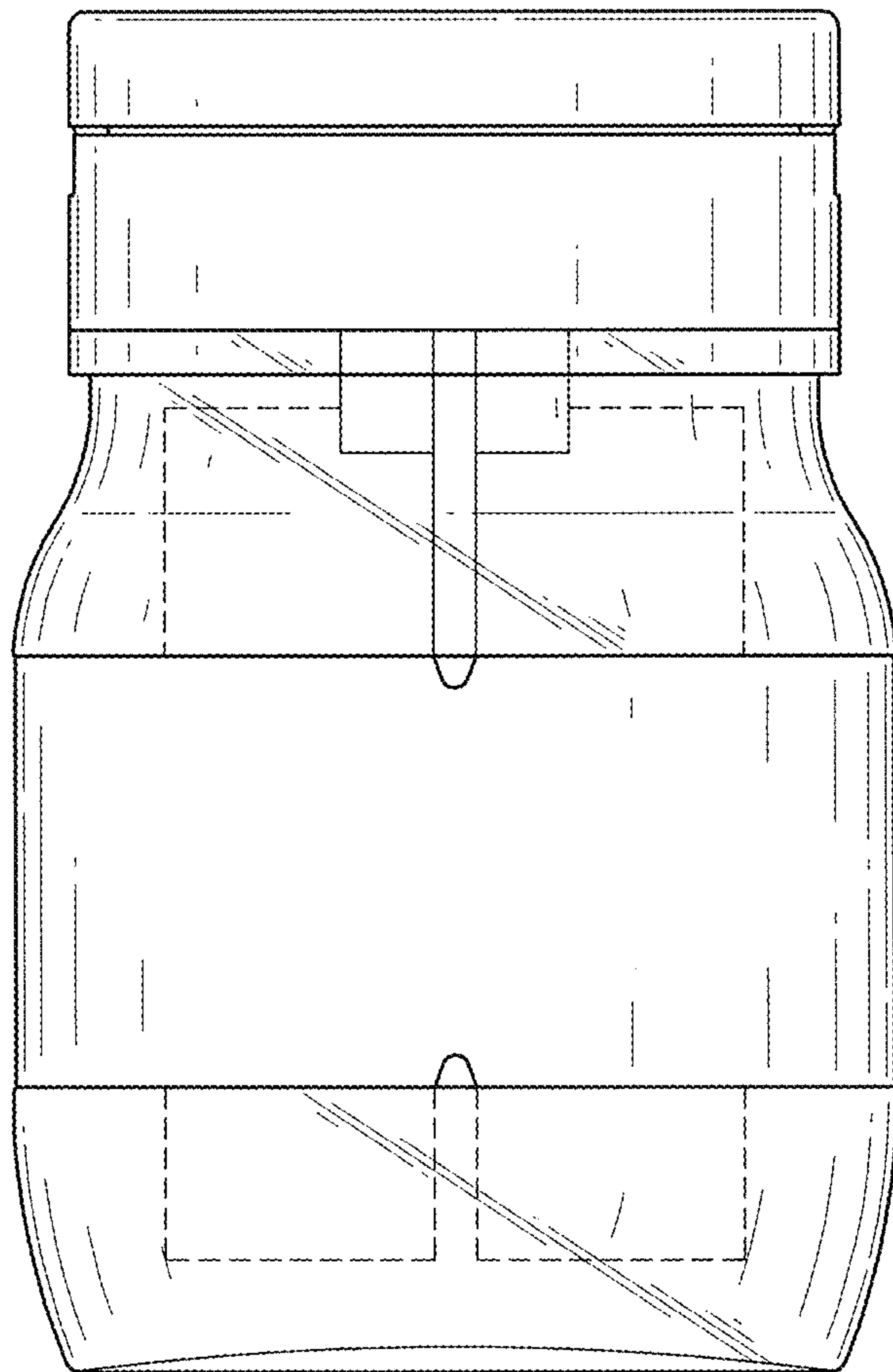


FIG.6

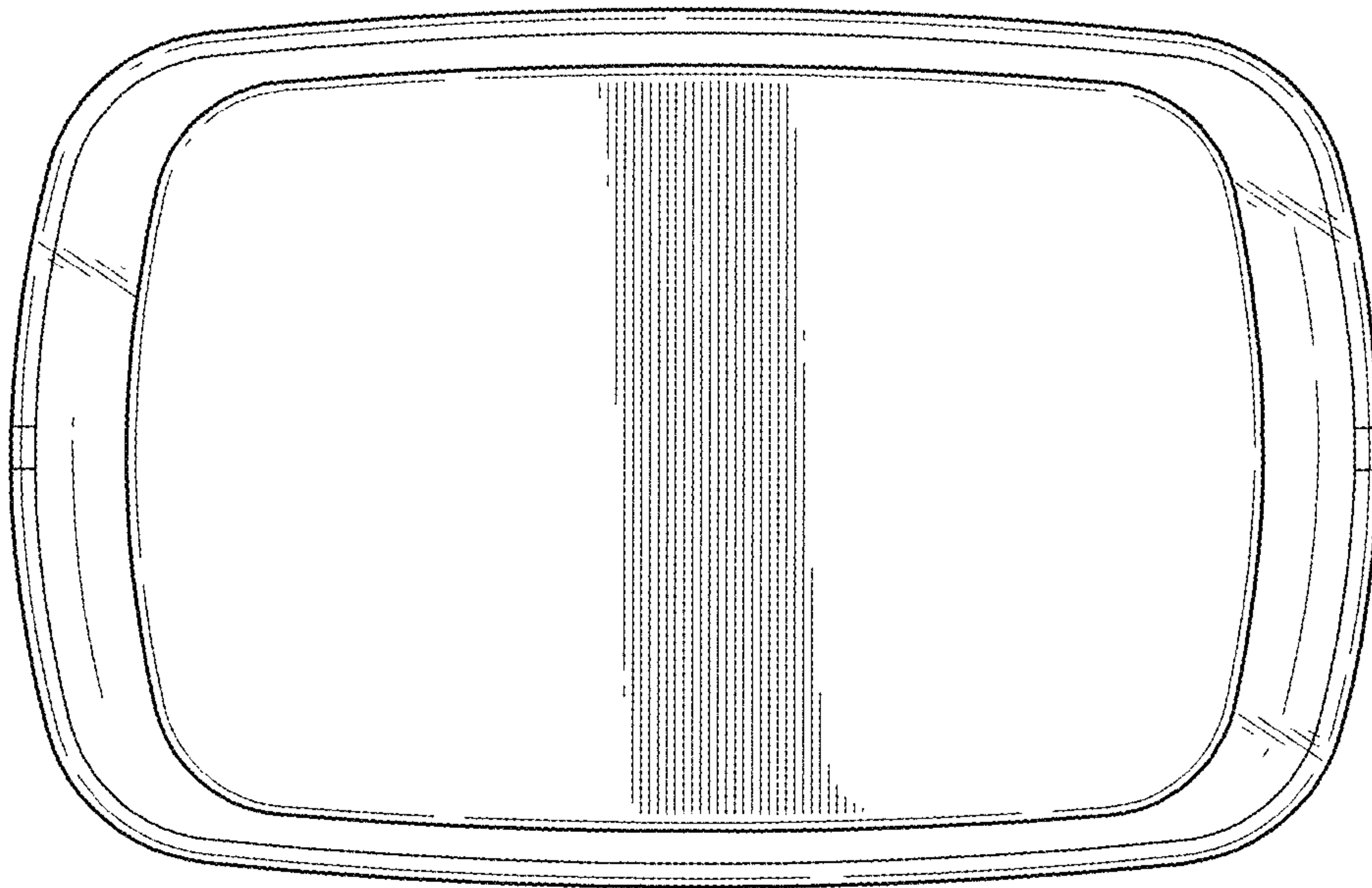


FIG.7

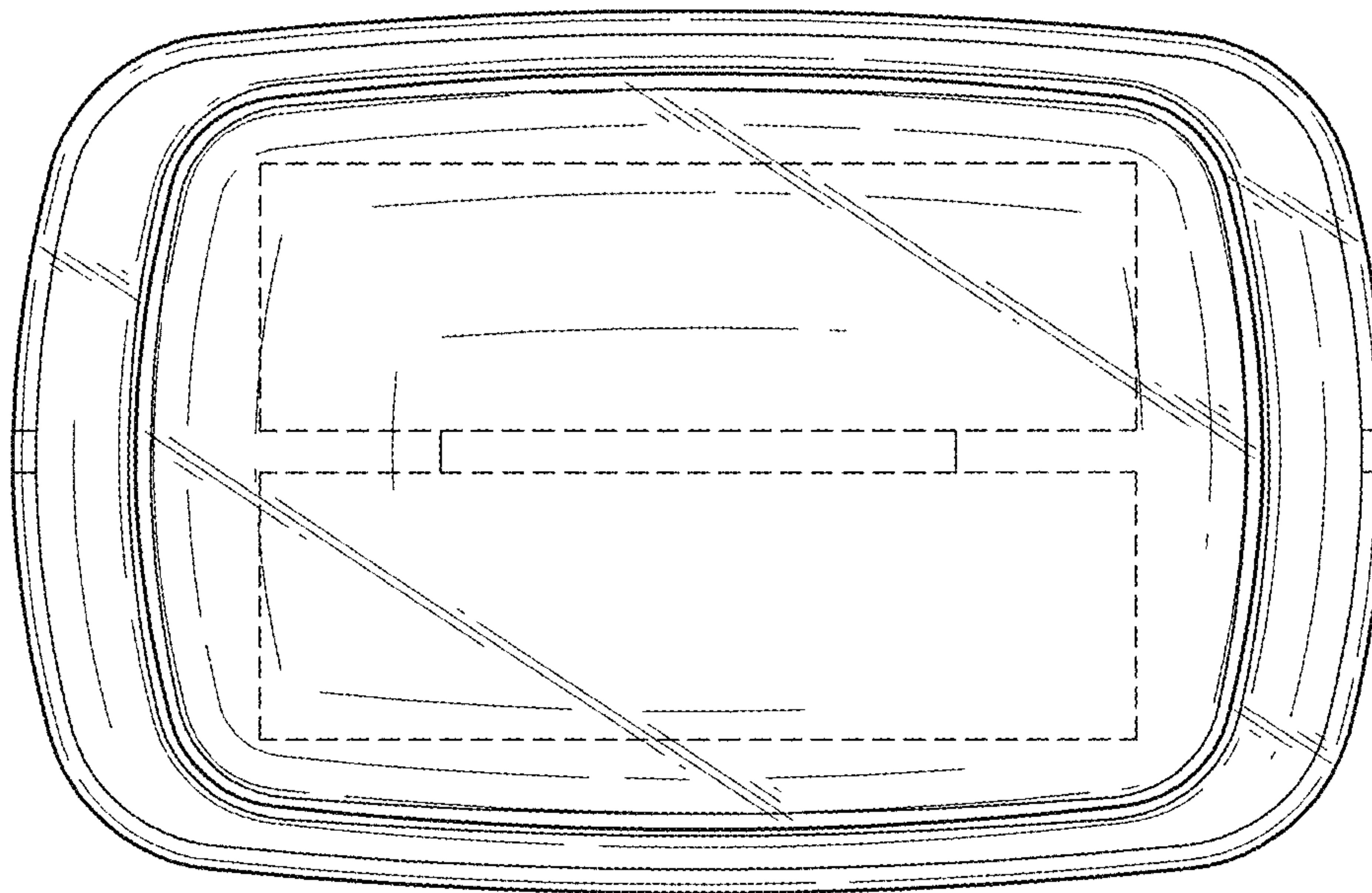


FIG.8

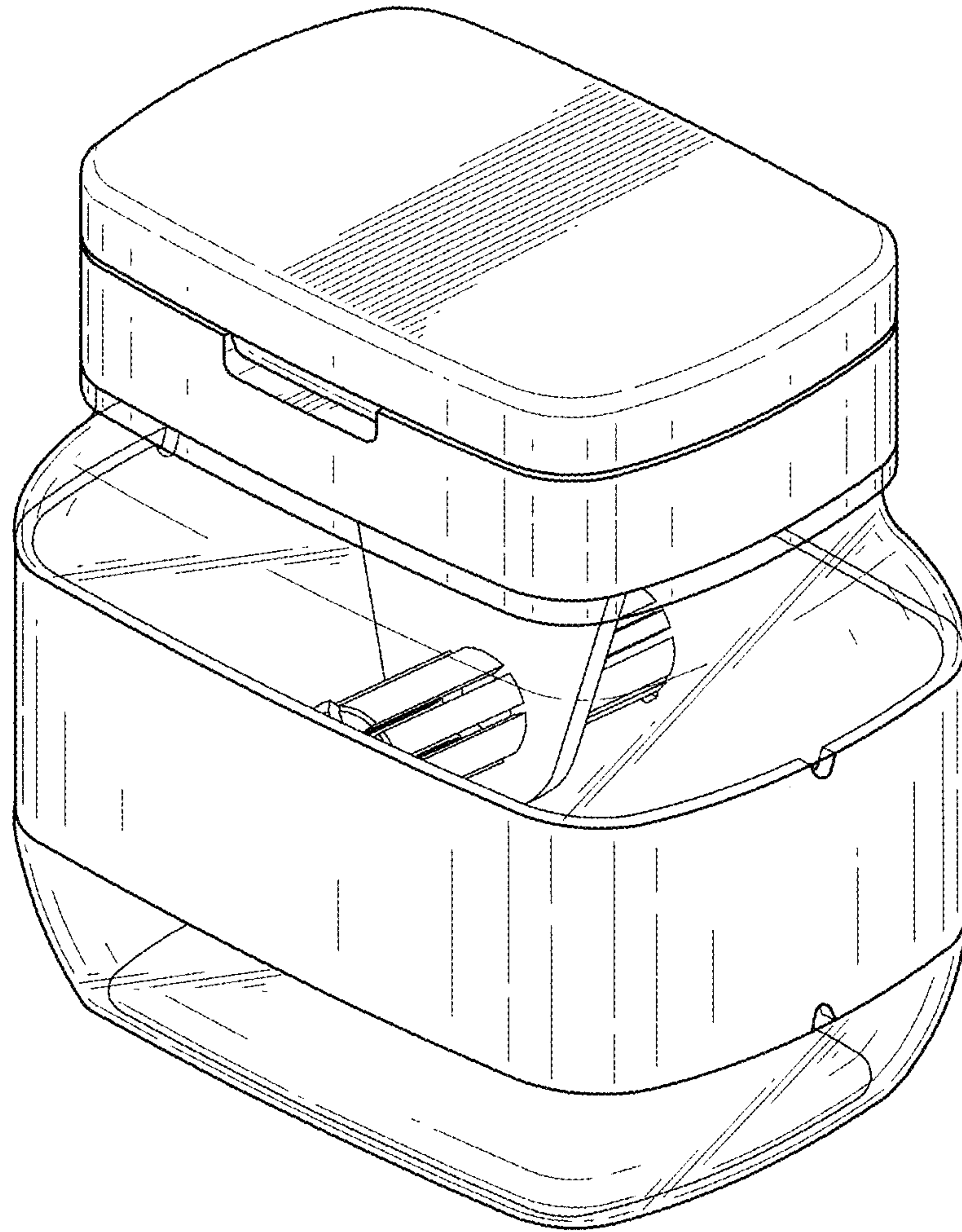


FIG. 9

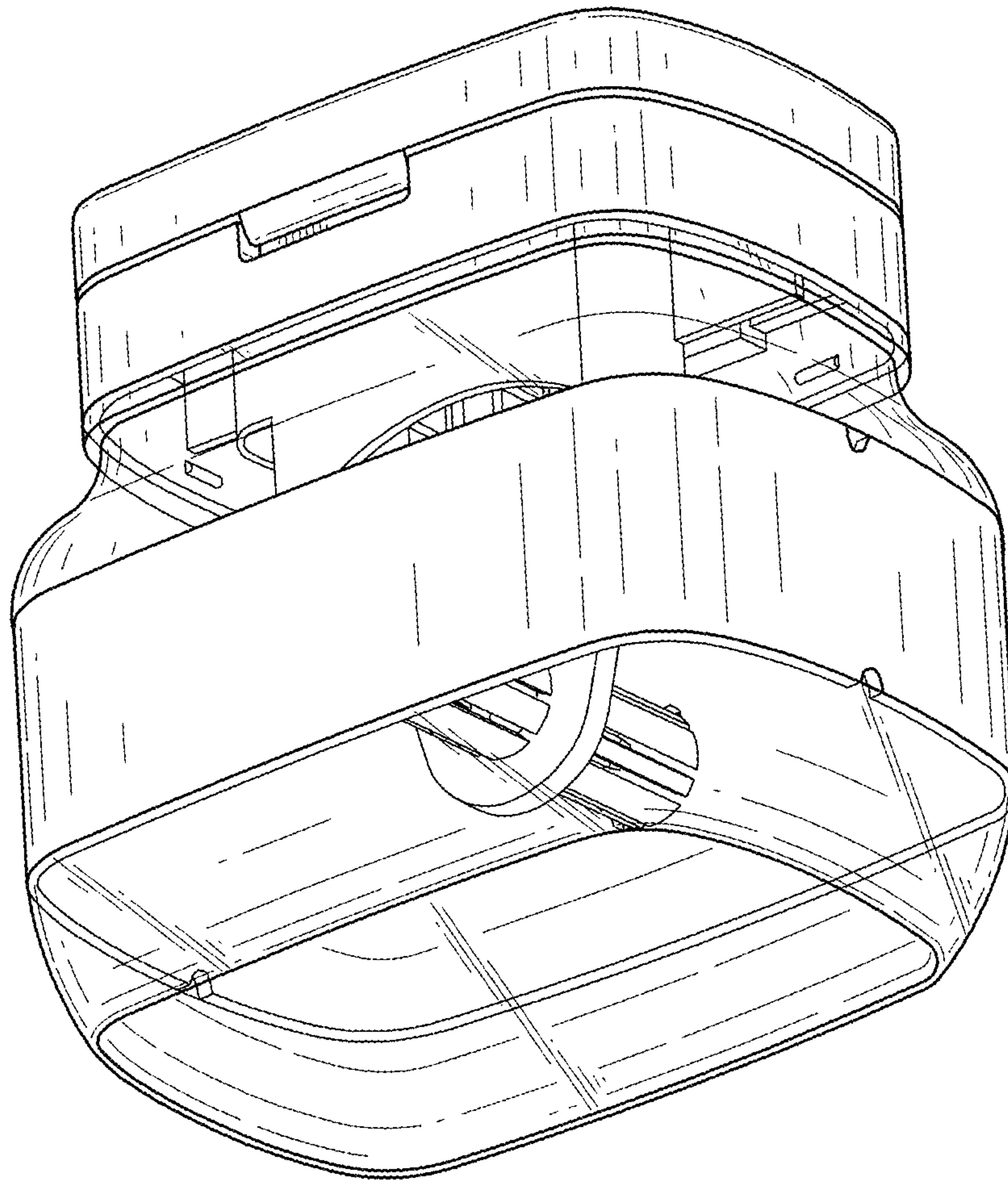


FIG.10

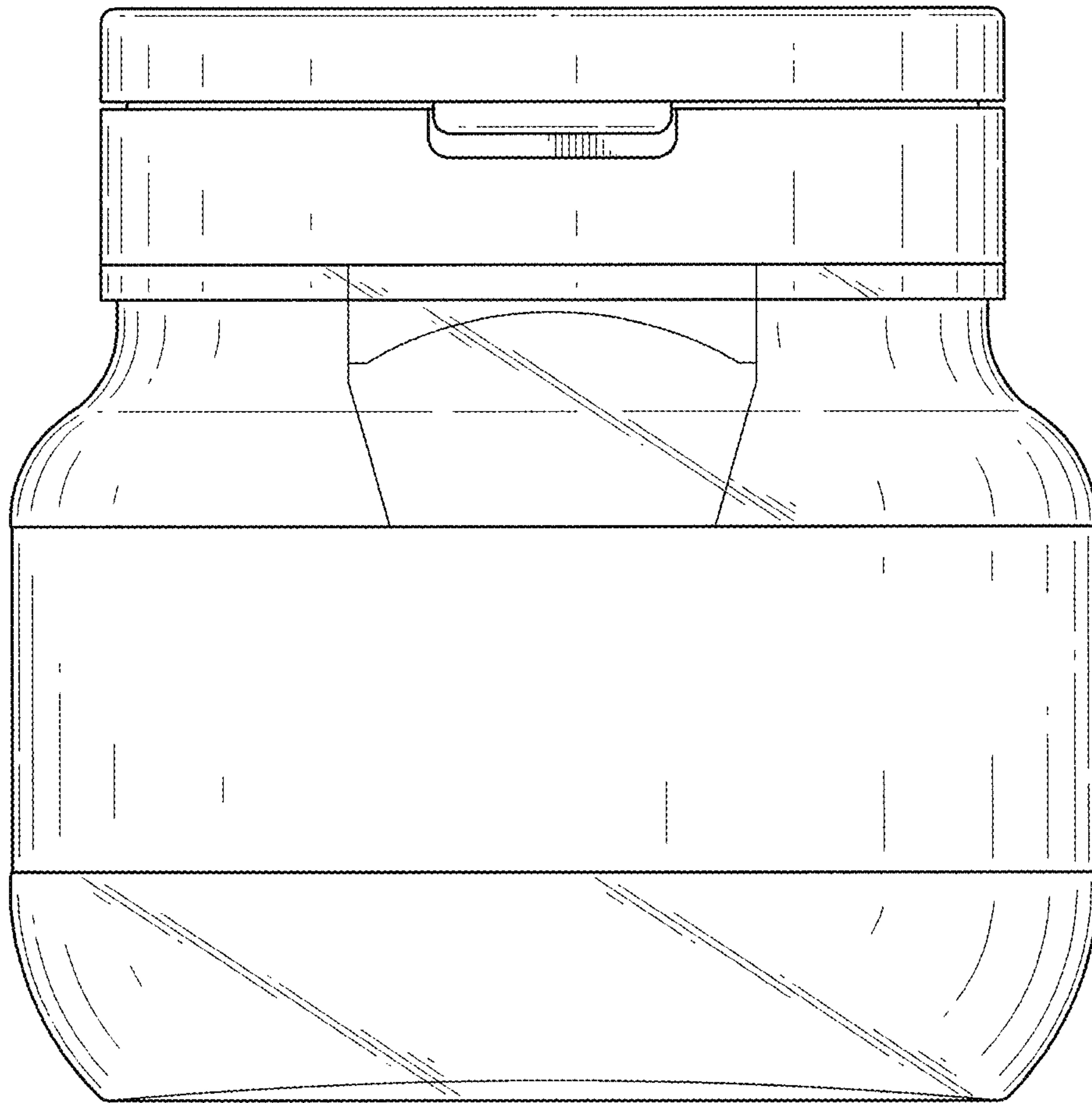


FIG. 11

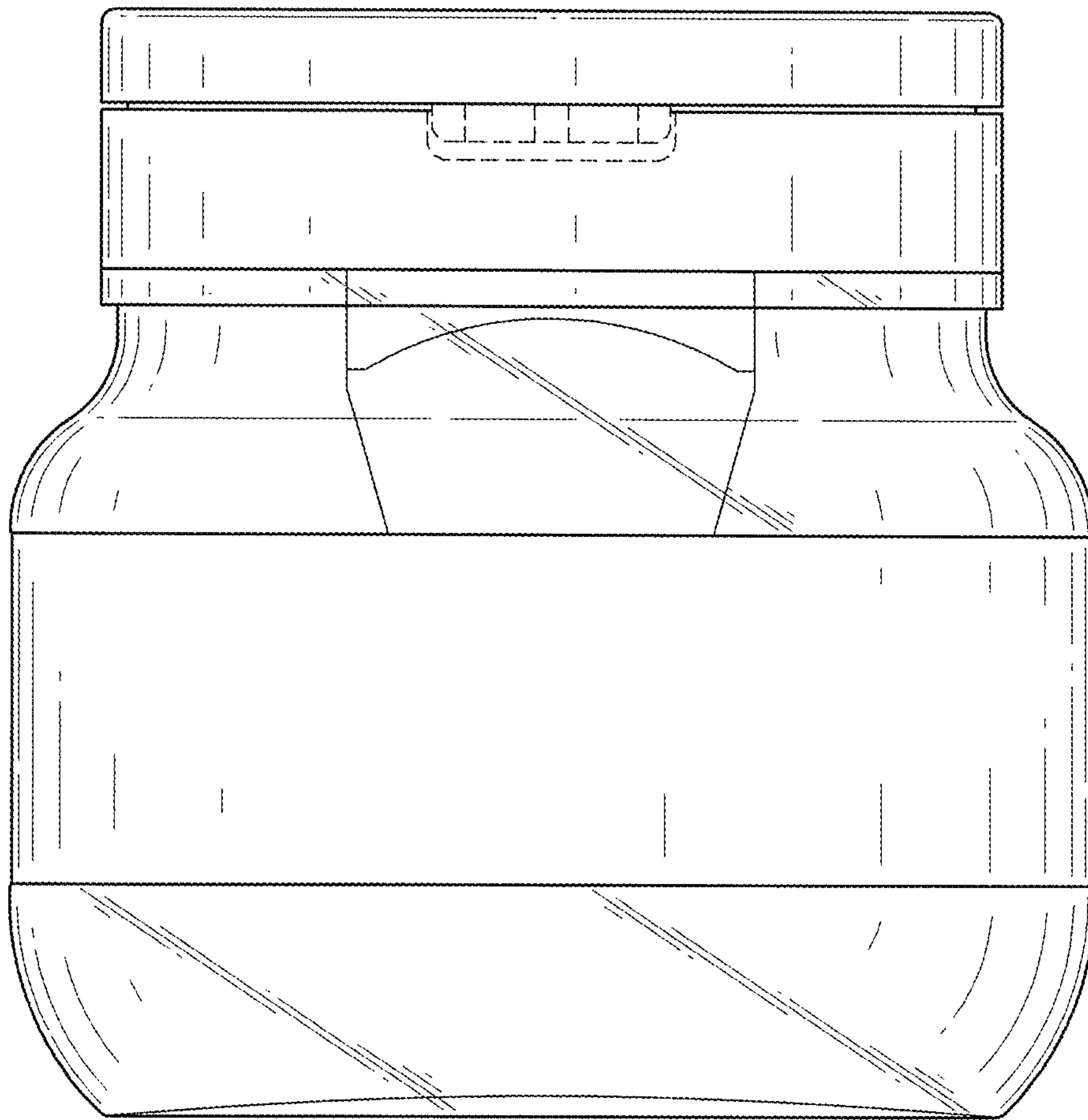


FIG. 12

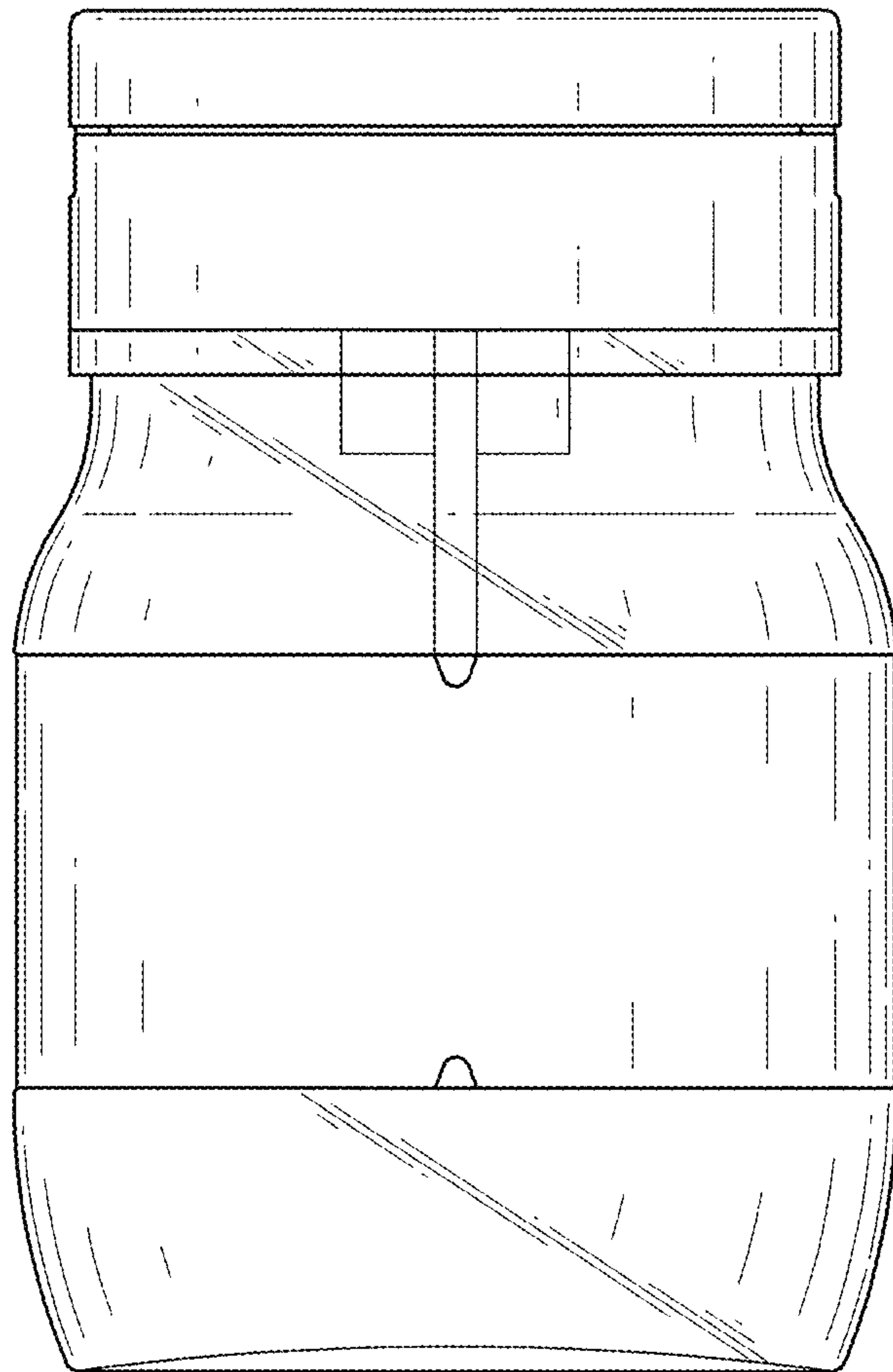


FIG. 13

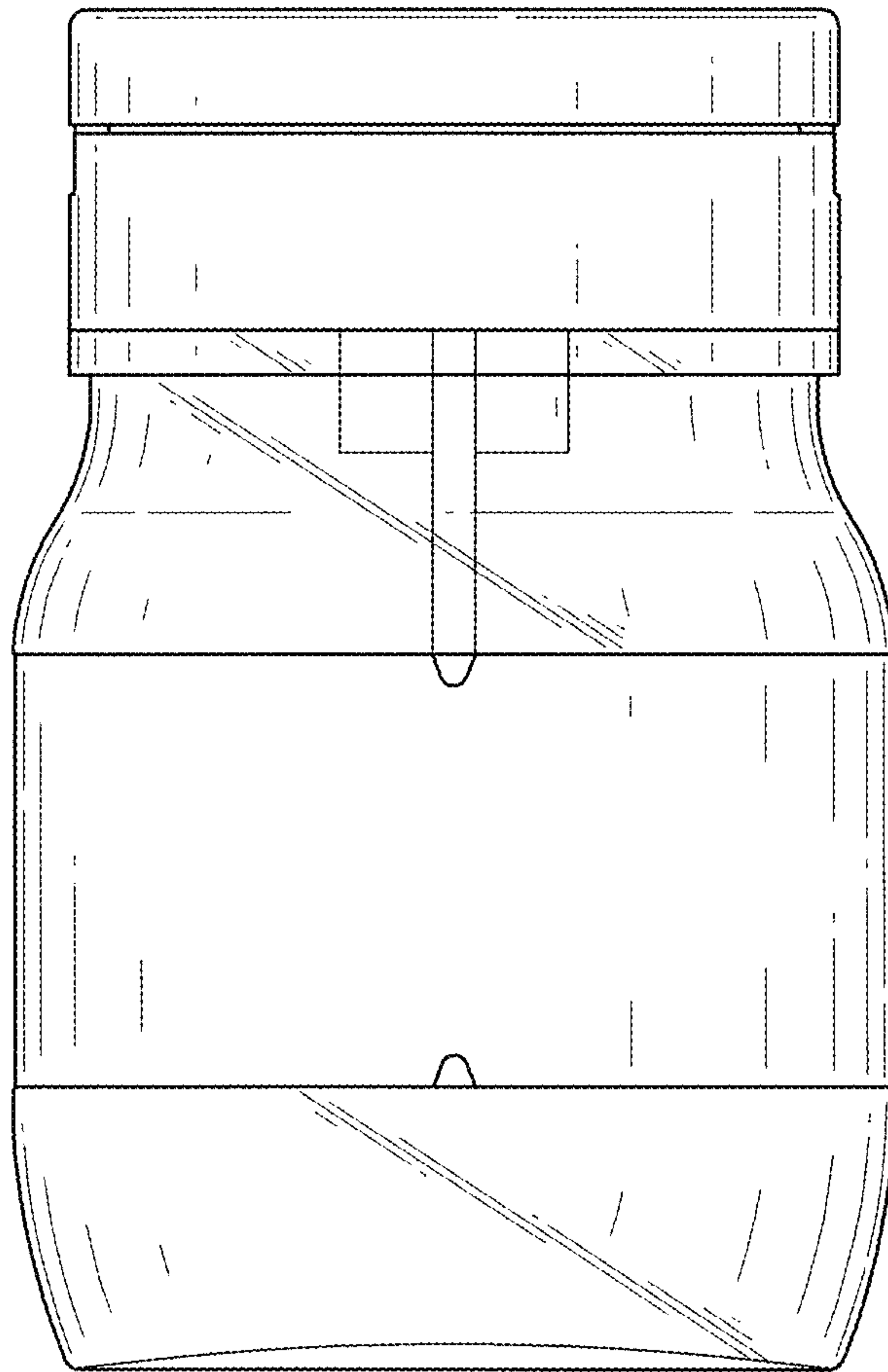


FIG. 14

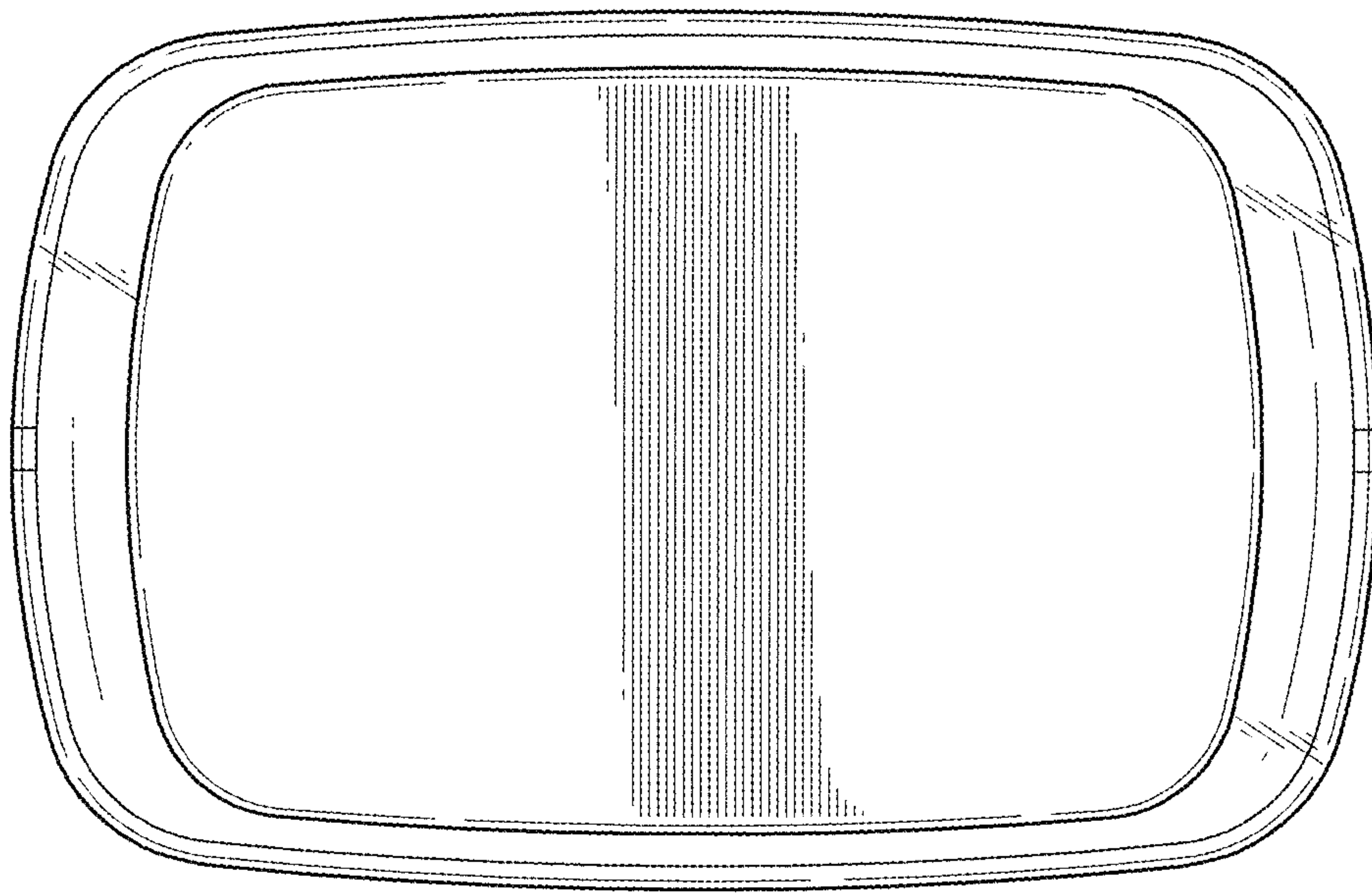


FIG.15

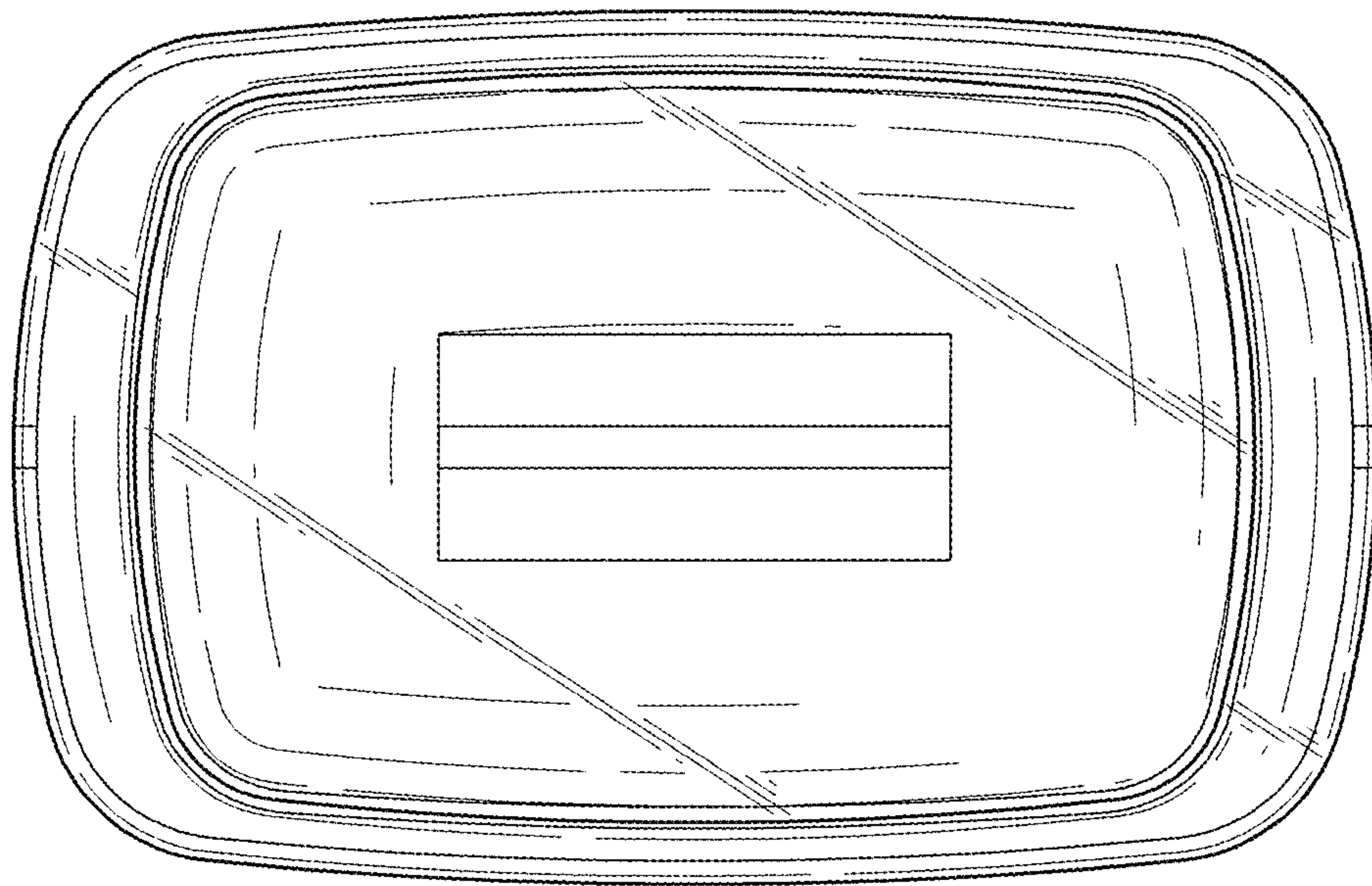


FIG.16