



US00D818196S

(12) **United States Design Patent** (10) **Patent No.:** **US D818,196 S**  
**Szymanski et al.** (45) **Date of Patent:** **\*\* May 15, 2018**

(54) **SHAVING DEVICE**  
(71) Applicants: **Aaron Szymanski**, Thomaston, CT  
(US); **Anand Khubani**, Towaco, NJ  
(US)  
(72) Inventors: **Aaron Szymanski**, Thomaston, CT  
(US); **Anand Khubani**, Towaco, NJ  
(US)  
(73) Assignee: **IdeaVillage Products Corporation**,  
Wayne, NJ (US)

D311,784 S \* 10/1990 Schwartz ..... D28/48  
D392,418 S \* 3/1998 Gray ..... D28/48  
D396,129 S \* 7/1998 Gray ..... D28/46  
D397,512 S \* 8/1998 Gray ..... D28/48  
D406,393 S \* 3/1999 Gray ..... D28/48  
D438,342 S \* 2/2001 Gray ..... D28/48  
D444,267 S \* 6/2001 Gray ..... D28/48  
D500,174 S \* 12/2004 Gray ..... D28/48  
D515,740 S \* 2/2006 Provost ..... D28/46  
D629,565 S \* 12/2010 Kling ..... D28/48  
D636,531 S \* 4/2011 Wilson ..... D28/46  
D797,372 S \* 9/2017 Forti ..... D28/46  
D797,376 S \* 9/2017 Forti ..... D28/48  
2015/0174776 A1 \* 6/2015 Hawes ..... B26B 21/14  
30/526

(\*\*) Term: **15 Years**

\* cited by examiner

(21) Appl. No.: **29/620,443**

*Primary Examiner* — Jennifer Rivard

(22) Filed: **Dec. 20, 2016**

(74) *Attorney, Agent, or Firm* — Dan DeLaRosa

(51) **LOC (11) Cl.** ..... **28-03**

(57) **CLAIM**

(52) **U.S. Cl.**  
USPC ..... **D28/46**

The ornamental design for a shaving device, as shown and described.

(58) **Field of Classification Search**  
USPC ..... D28/46-48  
CPC ..... B26B 21/08-21/32; B26B 21/34-21/38;  
B26B 21/446; B26B 21/405-21/4062;  
B26B 21/52-21/528; B26B  
21/4068-21/4075

**DESCRIPTION**

See application file for complete search history.

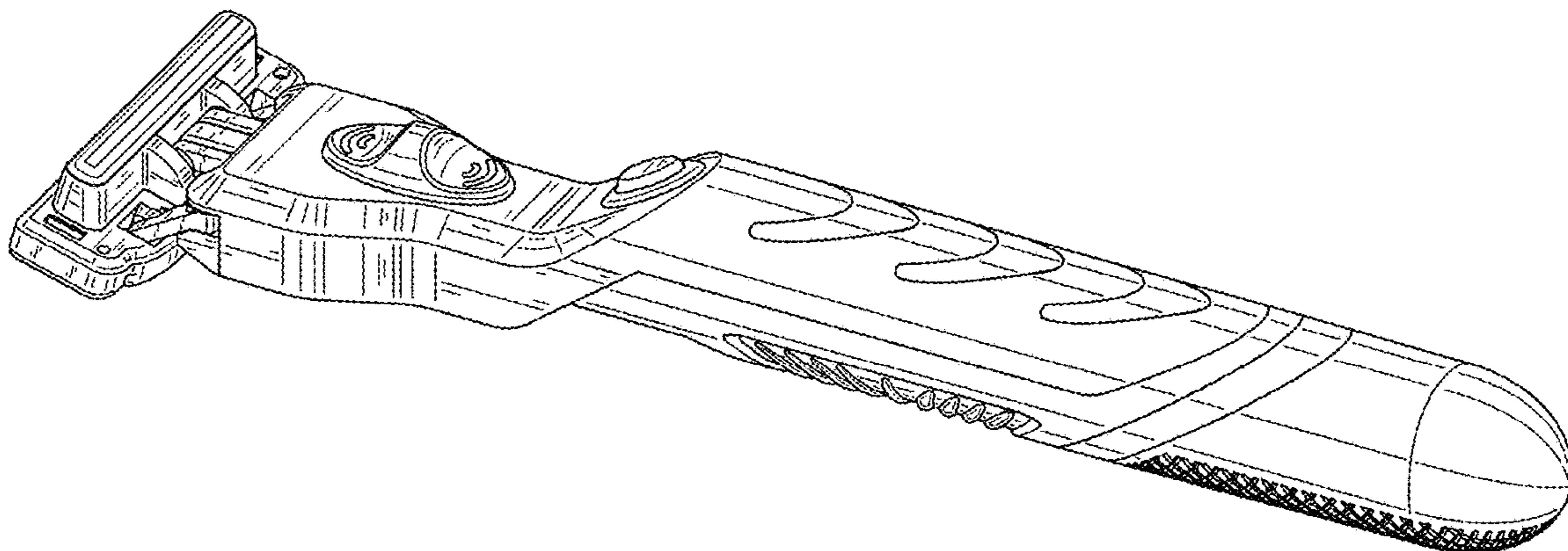
FIG. 1 is a front perspective view of a shaving device of the present invention showing my new design; FIG. 2 is a front side elevation view thereof; FIG. 3 is a back side elevation view thereof; FIG. 4 is a side elevation view thereof; FIG. 5 is another side elevation view thereof; FIG. 6 is a top plan view thereof; and, FIG. 7 is a bottom plan view thereof.

(56) **References Cited**

**U.S. PATENT DOCUMENTS**

D306,496 S \* 3/1990 Newberry, Jr. .... D28/45  
D310,271 S \* 8/1990 Jacobson ..... D28/46

**1 Claim, 7 Drawing Sheets**



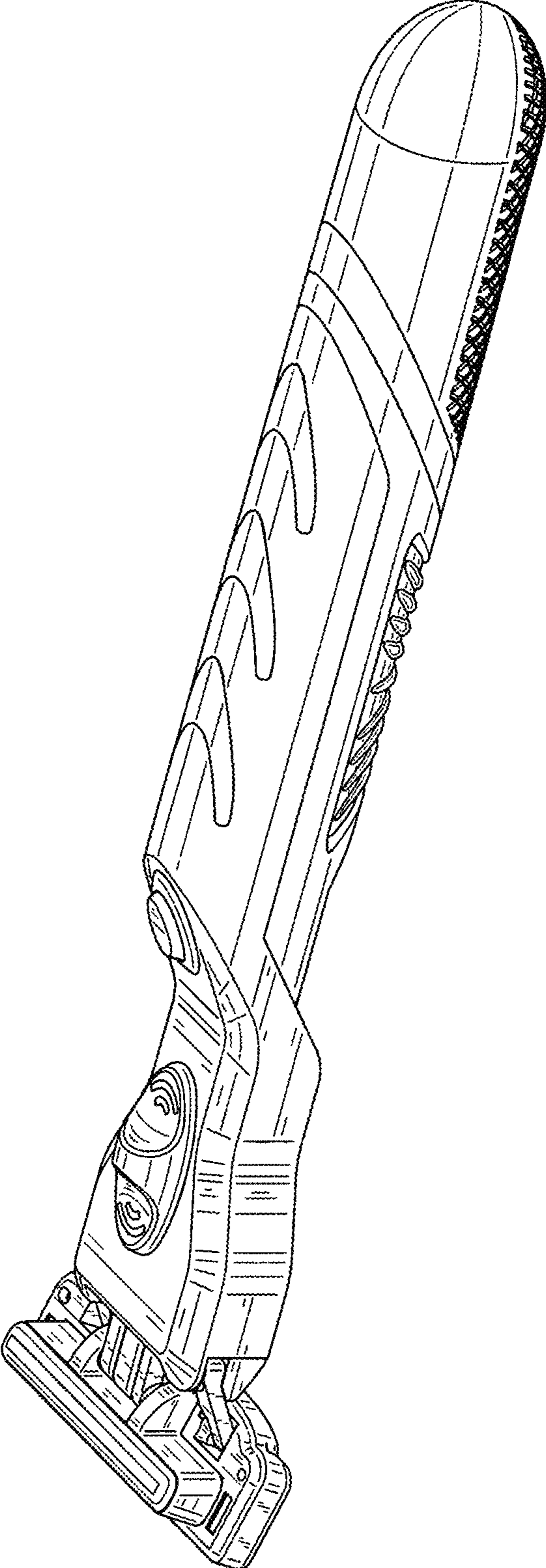


FIG. 1

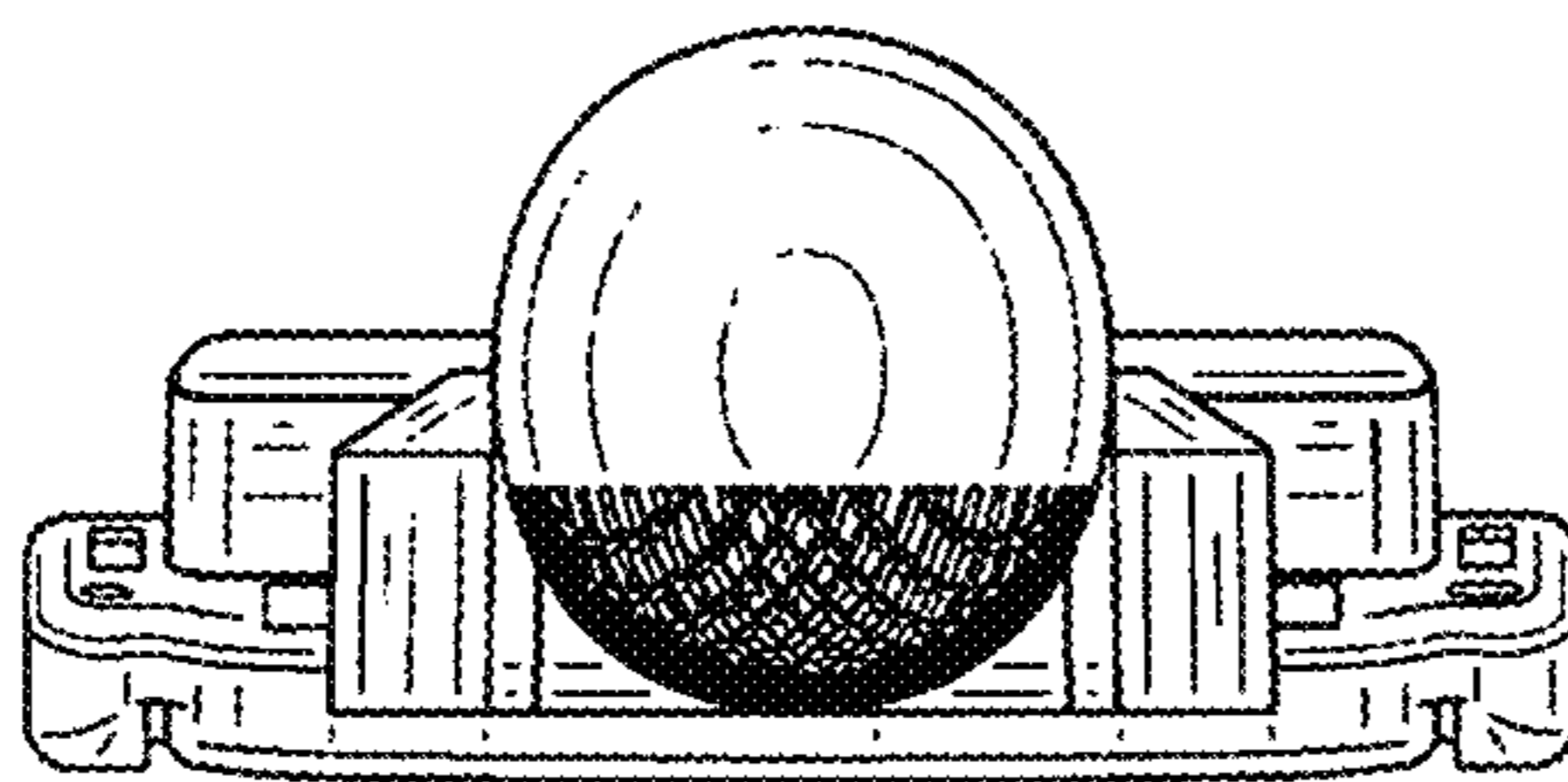


FIG. 2

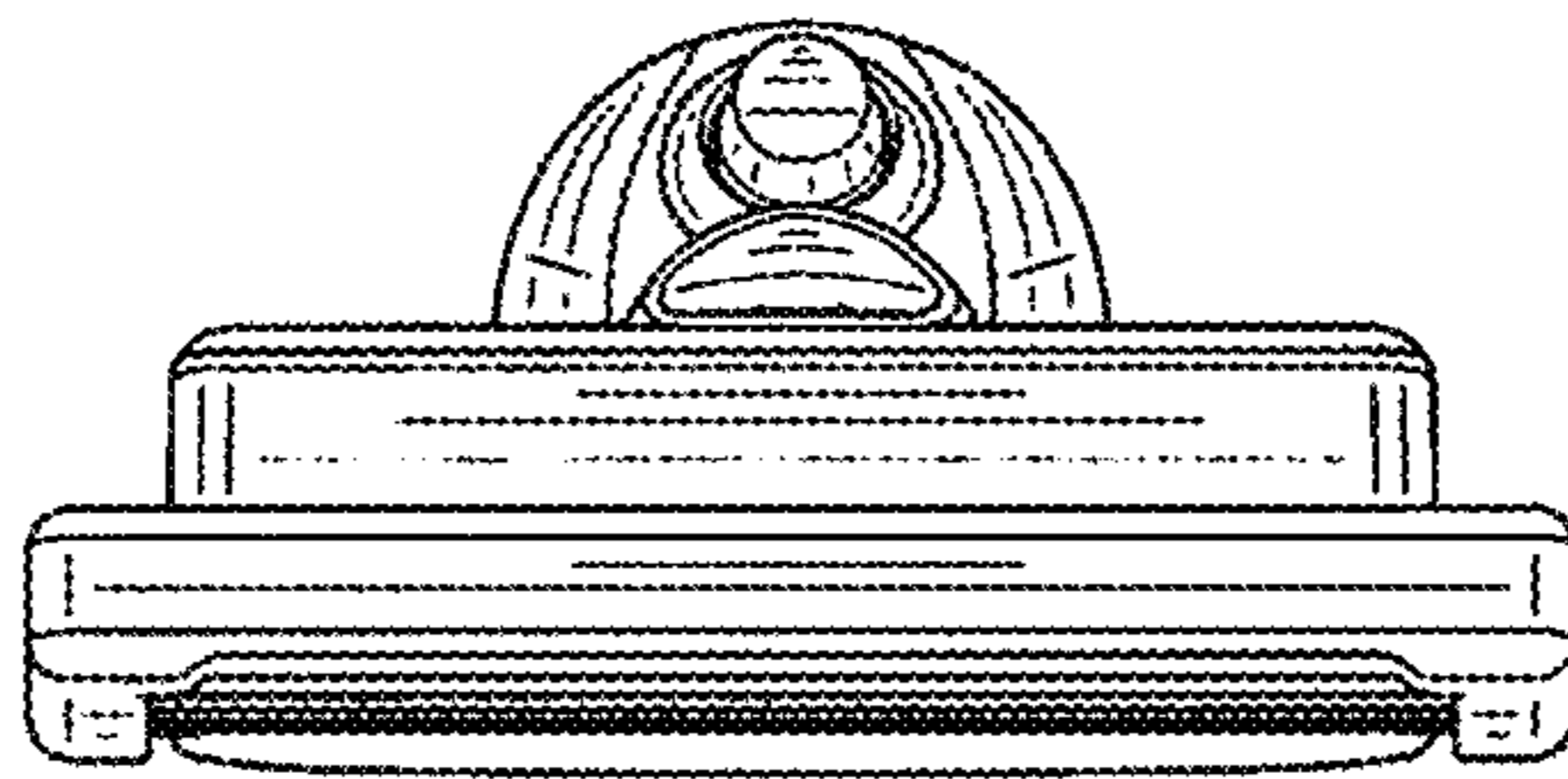


FIG. 3

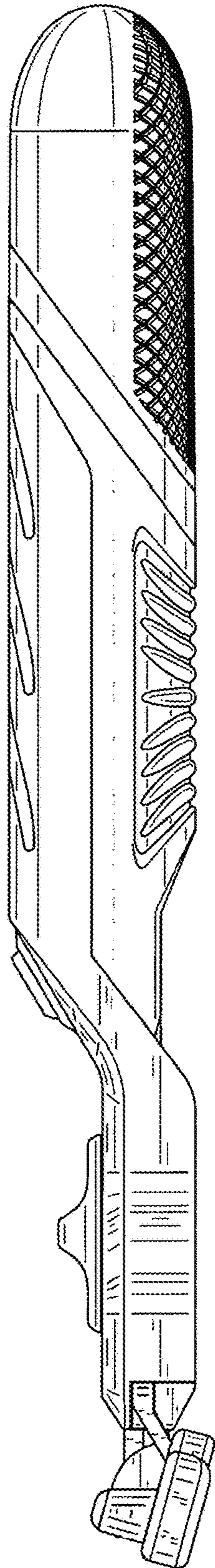


FIG. 4

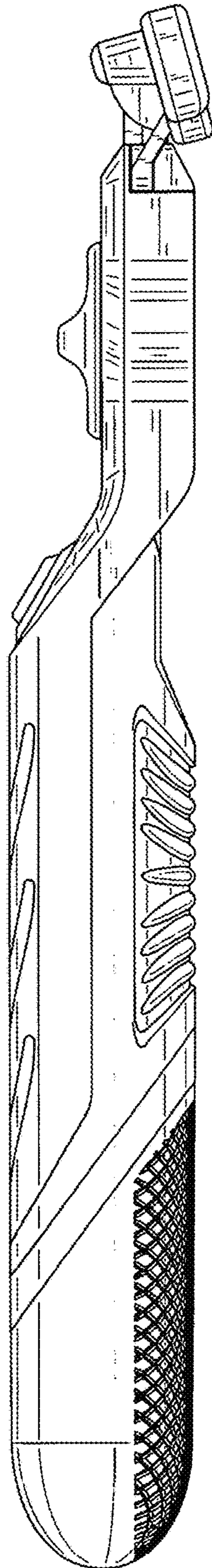


FIG. 5

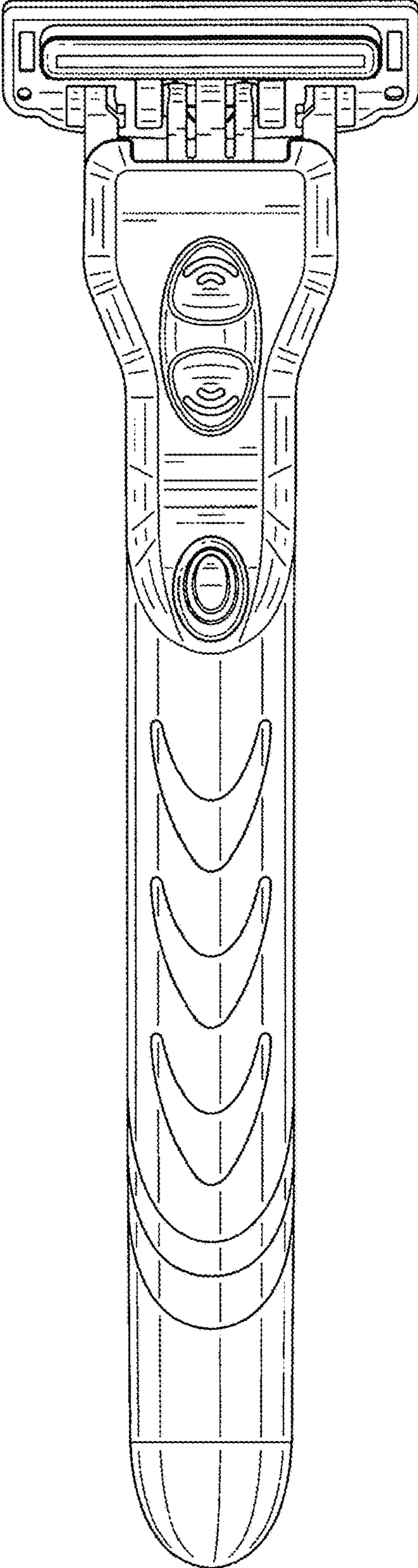


FIG. 6

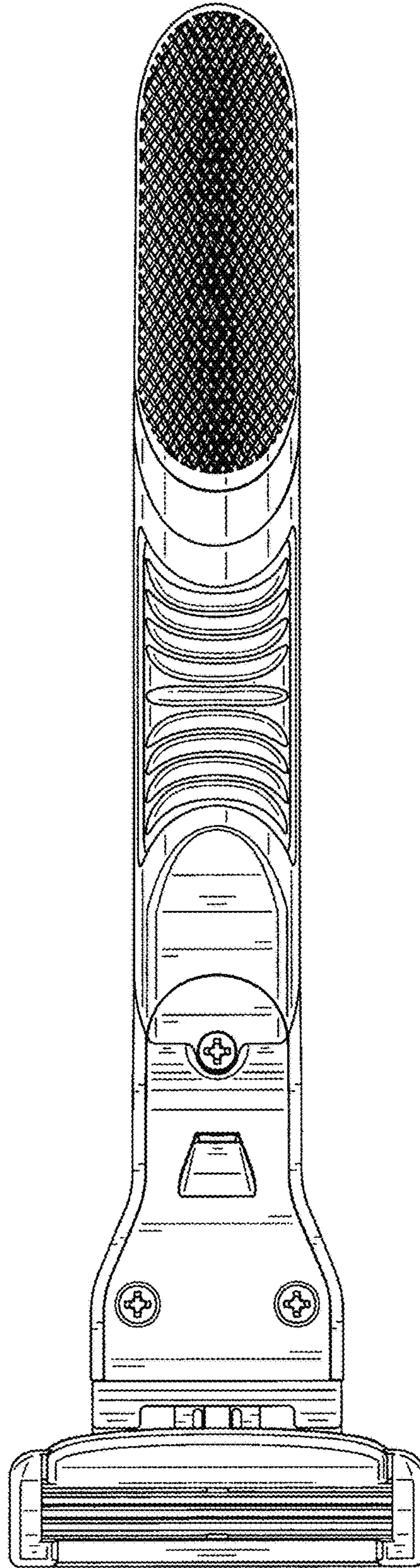


FIG. 7