



US00D818194S

(12) **United States Design Patent** (10) **Patent No.:** **US D818,194 S**  
**Trzesniowski** (45) **Date of Patent:** **\*\* May 15, 2018**

(54) **SELF-MATING EXTRUSION ASSEMBLY FOR LED-BASED LIGHTING APPARATUS**

(71) Applicant: **LEDsON Sp. ZOO, Sp.K.**, Blizne Laszczynskiego (PL)

(72) Inventor: **Slawomir Trzesniowski**, Warsaw (PL)

(\*\*) Term: **15 Years**

(21) Appl. No.: **29/581,234**

(22) Filed: **Oct. 17, 2016**

(51) **LOC (11) Cl.** ..... **26-05**

(52) **U.S. Cl.**  
USPC ..... **D26/138**

(58) **Field of Classification Search**  
USPC ..... D26/76, 78, 79, 80, 81, 82, 83, 85, 86, D26/88, 90, 113, 118, 119, 120, 121, 122, D26/138, 139, 140, 141, 142, 152  
CPC ..... F21S 2/00; F21S 4/00; F21S 4/003; F21S 4/005; F21S 4/006; F21S 4/007; F21S 4/008; F21S 6/00; F21S 8/00; F21S 8/024; F21S 8/026; F21S 8/031; F21S 8/033; F21S 8/035-8/037; F21S 8/04; F21S 8/043; F21S 8/063  
See application file for complete search history.

(56) **References Cited**

**U.S. PATENT DOCUMENTS**

D424,213 S *	5/2000	Chaney	.....	D25/122
D541,953 S *	5/2007	Deleu	.....	D25/122
D616,567 S *	5/2010	Desrosiers	.....	D25/122
D631,171 S *	1/2011	Konrad	.....	D25/124
D649,680 S	11/2011	Trzesniowski		
D649,681 S	11/2011	Trzesniowski		
D649,682 S	11/2011	Trzesniowski		
D649,683 S	11/2011	Trzesniowski		
D649,684 S	11/2011	Trzesniowski		
D649,685 S	11/2011	Trzesniowski		
D649,686 S	11/2011	Trzesniowski		

D649,687 S	11/2011	Trzesniowski
D649,688 S	11/2011	Trzesniowski
D649,689 S	11/2011	Trzesniowski
D649,690 S	11/2011	Trzesniowski
D649,691 S	11/2011	Trzesniowski
D649,692 S	11/2011	Trzesniowski
D649,693 S	11/2011	Trzesniowski

(Continued)

**FOREIGN PATENT DOCUMENTS**

EM	001908617-0001	8/2011
EM	001950759-0001	11/2011

(Continued)

*Primary Examiner* — George D. Kirschbaum

*Assistant Examiner* — Natasha Vujcic

(74) *Attorney, Agent, or Firm* — Zane Coleman

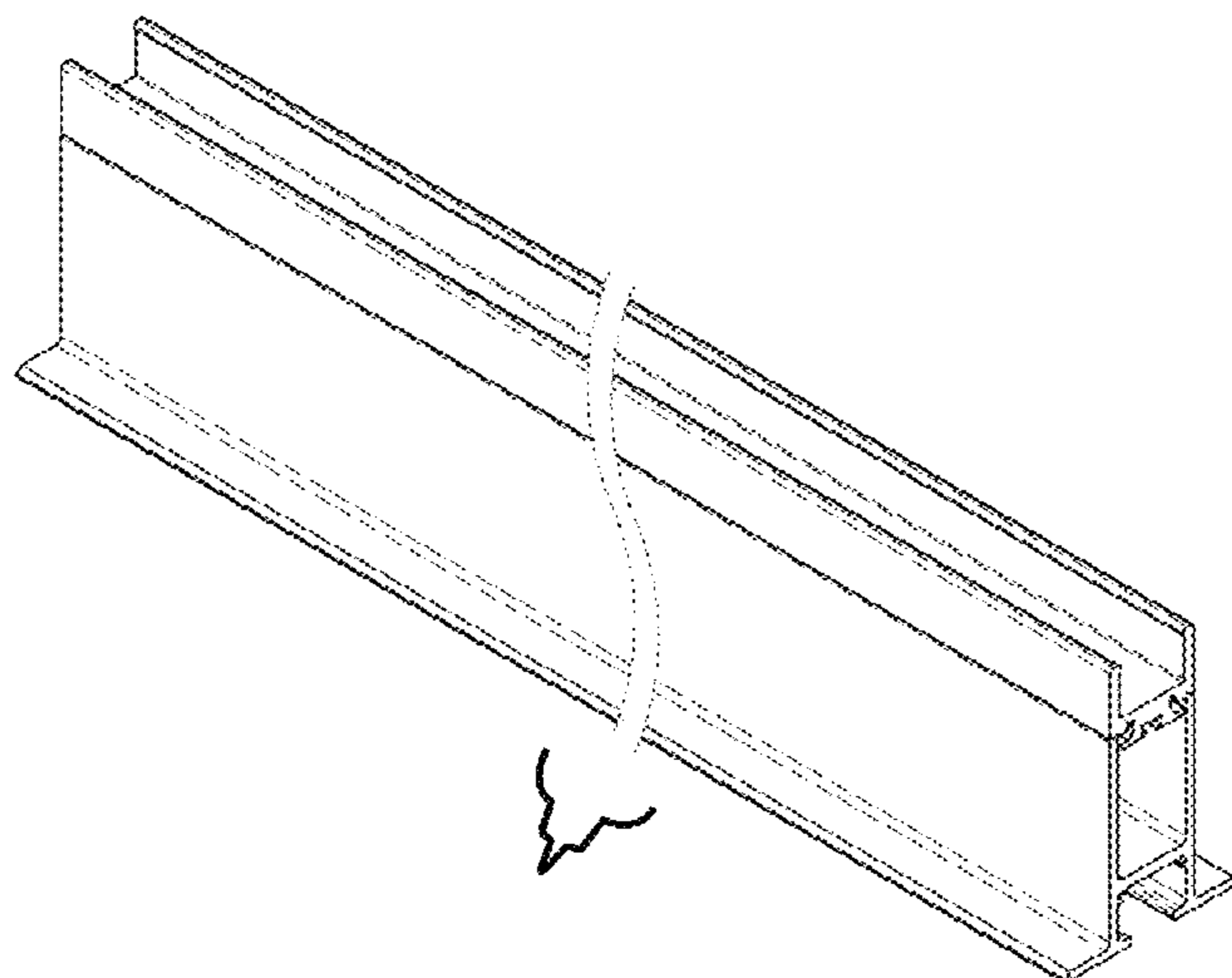
(57) **CLAIM**

I claim, the ornamental design for a self-mating extrusion assembly for LED-based lighting apparatus, as shown and described.

**DESCRIPTION**

FIG. 1 is an exploded, front-left side perspective of a self-mating extrusion assembly for LED-based lighting apparatus thereof;  
FIG. 2 is back-left side perspective view thereof;  
FIG. 3 is a right side elevation view of the assembly shown in FIG. 1; the left side elevation view being a mirror image thereof;  
FIG. 4 is front side elevation view; the back side elevation view being a mirror image thereof;  
FIG. 5 is a top side elevation view thereof; and,  
FIG. 6 is a bottom side elevation view thereof.  
The broken break lines and brackets in the drawings indicates that the appearance of any portion of the self-mating extrusion assembly for LED-based lighting apparatus between the break lines forms no part of the claimed design.

**1 Claim, 5 Drawing Sheets**



(56)

**References Cited**

U.S. PATENT DOCUMENTS

D651,739 S	1/2012	Trzesnsiowski	
D652,568 S	1/2012	Trzesnsiowski	
D652,569 S	1/2012	Trzesnsiowski	
D652,985 S	1/2012	Trzesnsiowski	
D652,986 S	1/2012	Trzesnsiowski	
D666,329 S *	8/2012	Morton .....	D25/122
D702,875 S *	4/2014	Klus .....	D25/122
D724,260 S *	3/2015	Klus .....	D26/141
D731,704 S *	6/2015	Klus .....	D26/138
D733,354 S *	6/2015	Klus .....	D26/138
D733,355 S *	6/2015	Klus .....	D26/138
D775,409 S *	12/2016	Klus .....	D26/138
D775,410 S *	12/2016	Klus .....	D26/138
D782,104 S *	3/2017	Klus .....	D26/138
D798,471 S *	9/2017	Tremaine .....	D25/119
D807,572 S *	1/2018	Klus .....	D26/138
D809,704 S *	2/2018	Klus .....	D26/142

FOREIGN PATENT DOCUMENTS

EM	002049700-0001	5/2012
EM	002049700-0002	5/2012
EM	002049700-0003	5/2012
EM	002049700-0004	5/2012
EM	002049700-0005	5/2012
EM	002049700-0006	5/2012
EM	002502724-0001	7/2014
EM	002502724-0002	7/2014
EM	002502724-0003	7/2014
EM	002502724-0004	7/2014
EM	002502724-0005	7/2014
EM	002502724-0006	7/2014
EM	002579656-0001	11/2014
EM	002579656-0002	11/2014
EM	002579656-0003	11/2014
EM	002802140-0001	9/2015
EM	002802140-0002	9/2015
EM	002802140-0003	9/2015
EM	002802140-0004	9/2015
EM	002802140-0005	9/2015
EM	002802140-0006	9/2015

EM	002014126-0001	3/2012
EM	002014126-0002	3/2012

\* cited by examiner

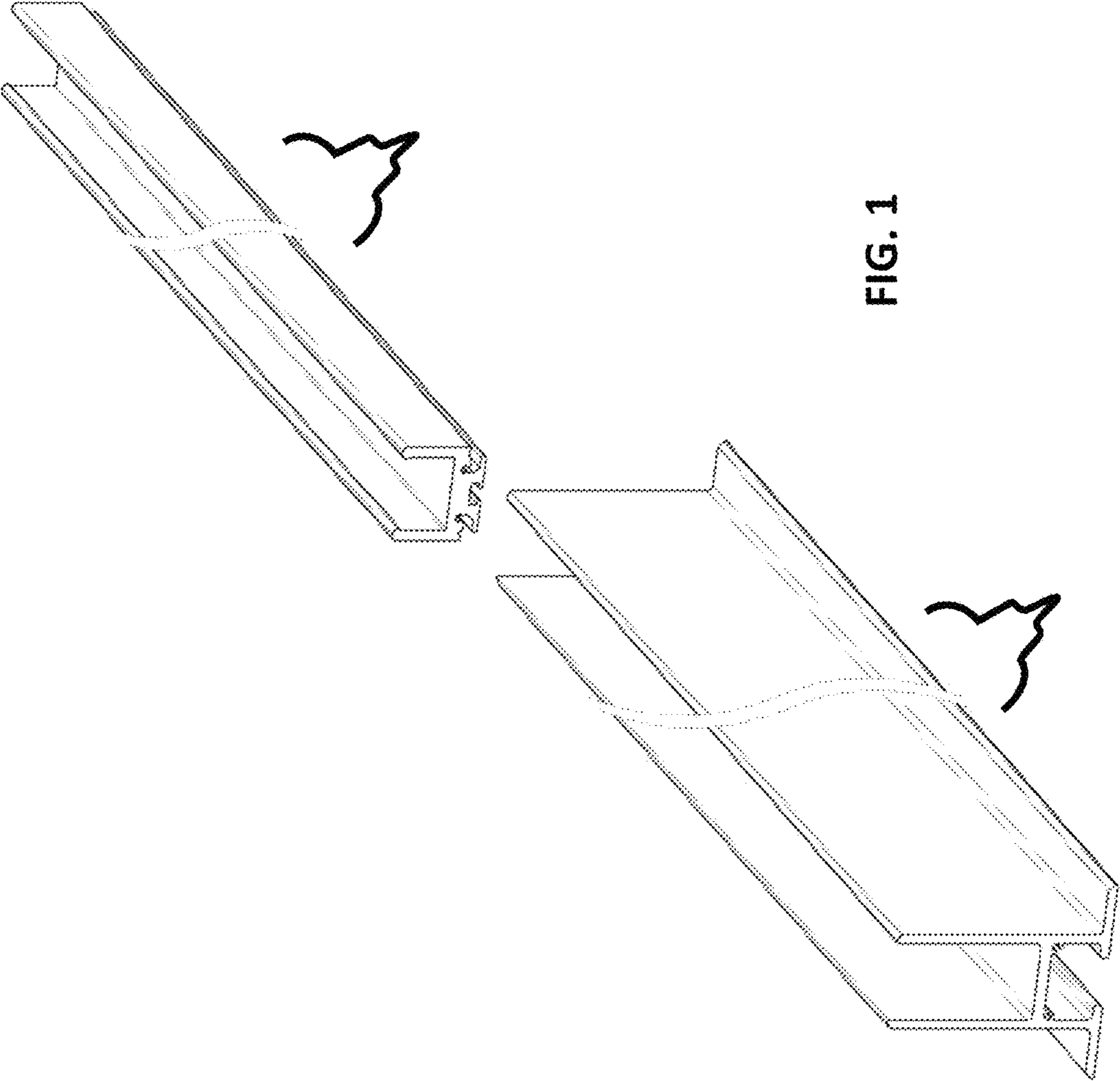


FIG. 1

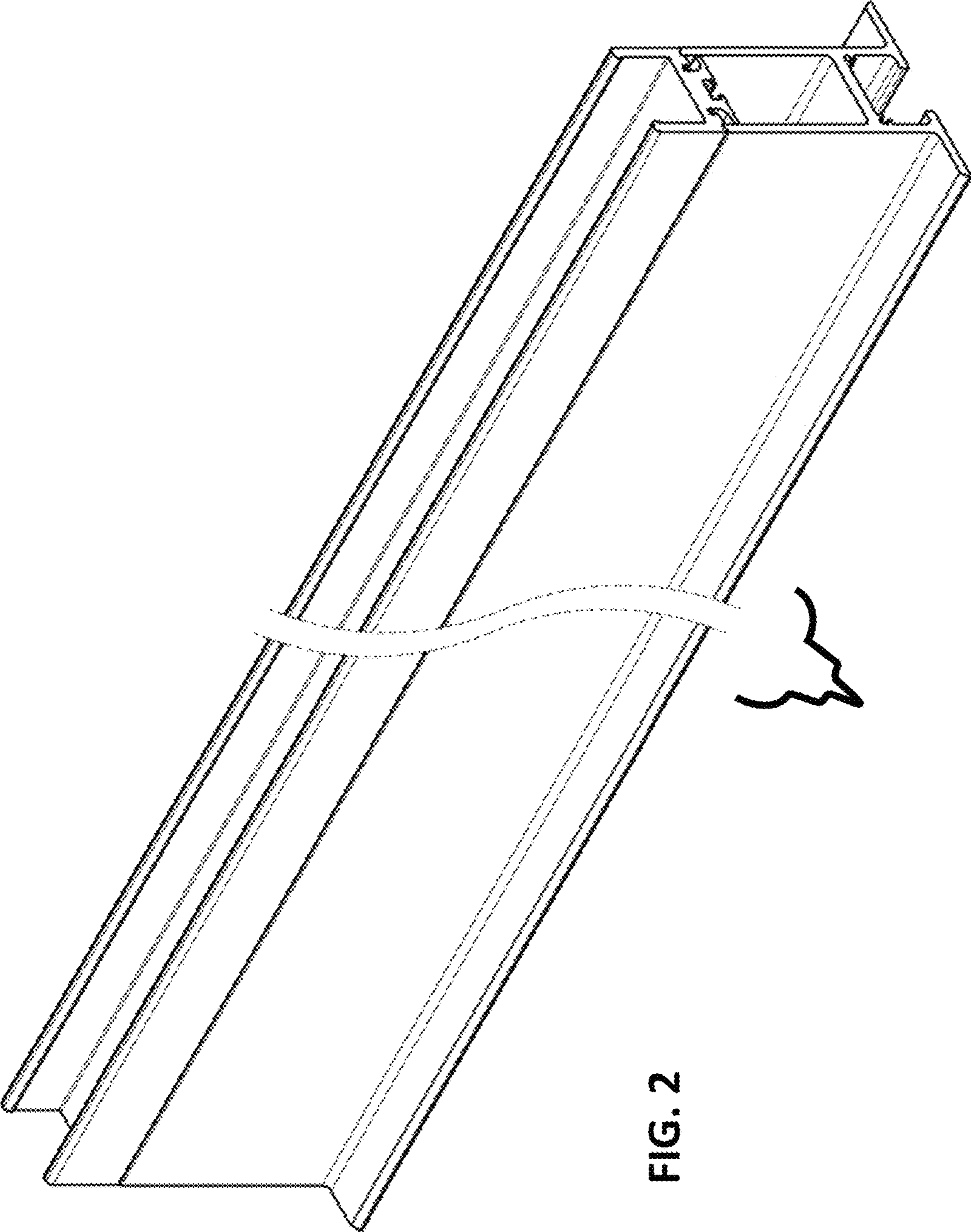


FIG. 2



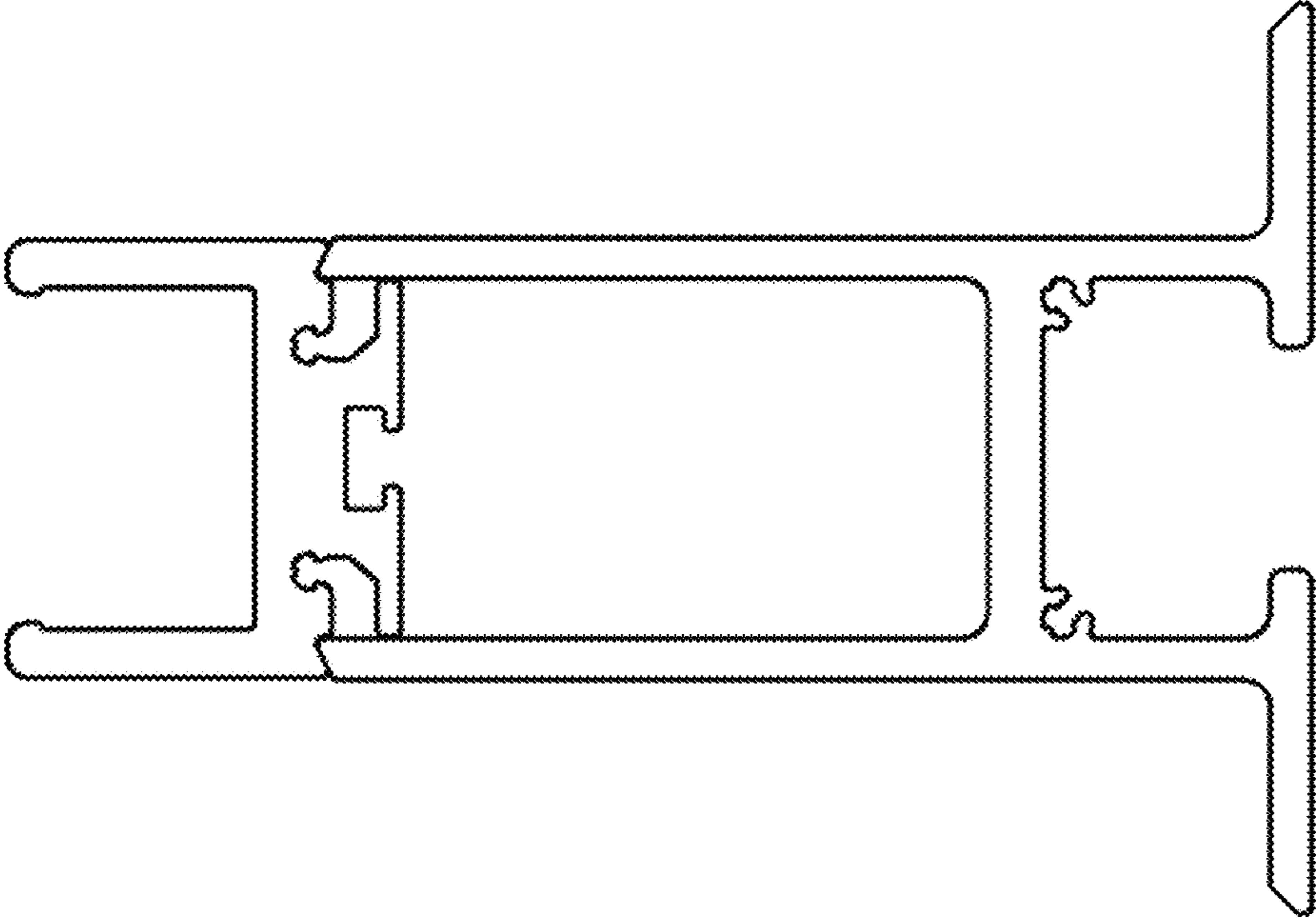


FIG. 3

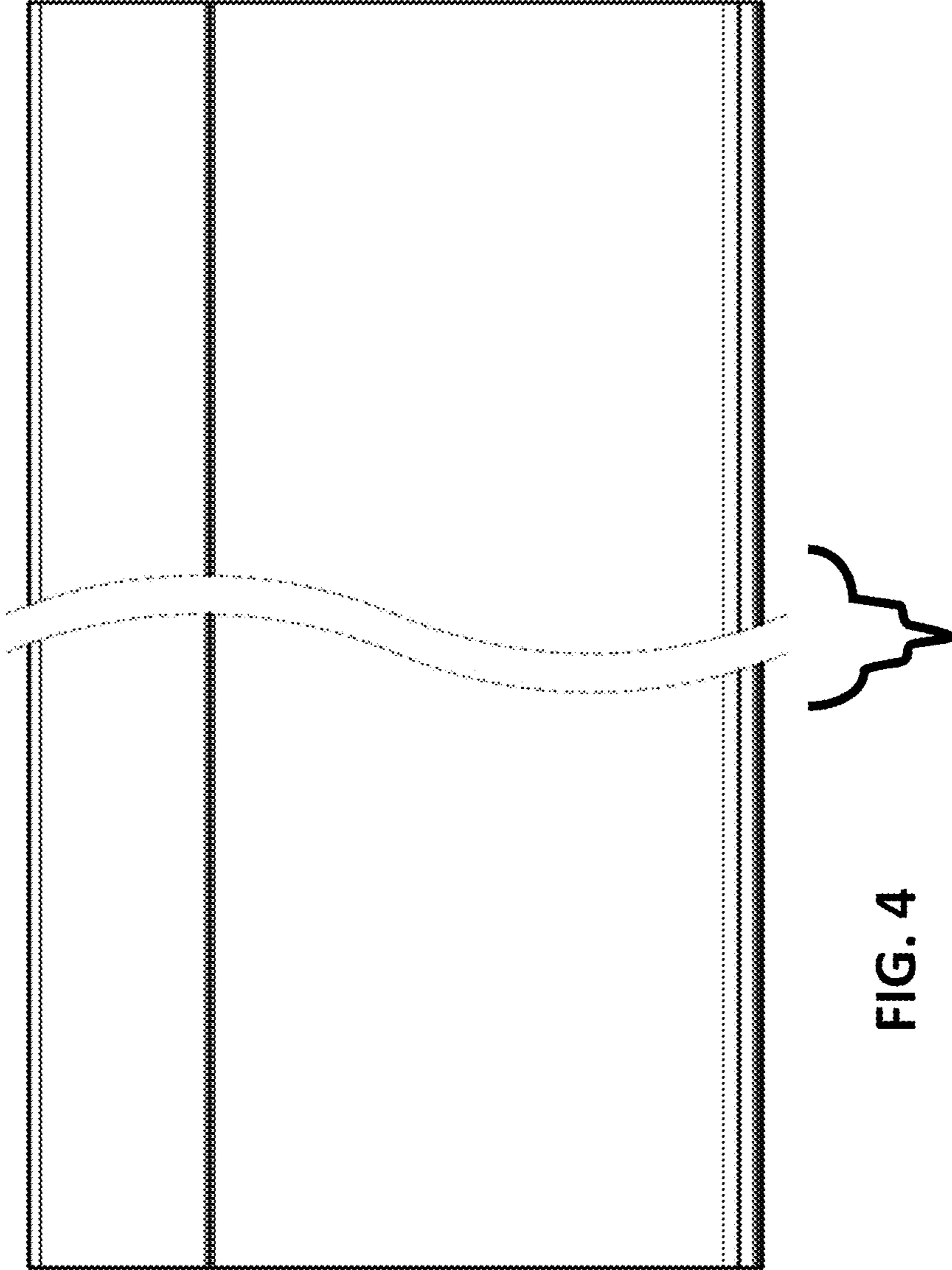


FIG. 4

