



US00D818192S

(12) **United States Design Patent** (10) **Patent No.:** **US D818,192 S**
Price (45) **Date of Patent:** **** May 15, 2018**

(54) **LED TRACK LUMINAIRE**
(71) Applicant: **GE Lighting Solutions, LLC**, East Cleveland, OH (US)
(72) Inventor: **Alex Kendall Price**, East Cleveland, OH (US)
(73) Assignee: **GE LIGHTING SOLUTIONS, LLC**, East Cleveland, OH (US)
(**) Term: **15 Years**
(21) Appl. No.: **29/574,572**
(22) Filed: **Aug. 17, 2016**
(51) **LOC (11) Cl.** **26-05**
(52) **U.S. Cl.**
USPC **D26/138**
(58) **Field of Classification Search**
USPC D26/76, 78, 79, 80, 81, 82, 83, 85, 86, D26/88, 90, 113, 118, 119, 120, 121, 122, D26/138, 139, 140, 141, 142, 152, 154
CPC F21S 2/00; F21S 4/00; F21S 4/003; F21S 4/005; F21S 4/006; F21S 4/007; F21S 4/008; F21S 6/00; F21S 8/00; F21S 8/024; F21S 8/026; F21S 8/031; F21S 8/033; F21S 8/035-8/037; F21S 8/04; F21S 8/043; F21S 8/063
See application file for complete search history.

D546,762 S * 7/2007 Kovacs D13/134
D546,994 S 7/2007 Wachter
D546,995 S 7/2007 Wachter
D546,996 S 7/2007 Layne
D547,479 S 7/2007 Layne
D590,535 S 4/2009 Wnek
D593,706 S * 6/2009 Zayas D26/142
D604,881 S 11/2009 Mier-Langner
D604,882 S 11/2009 Mier-Langner
D604,896 S * 11/2009 Chen D26/142
D605,323 S 12/2009 Mier-Langner
D618,373 S 6/2010 Fukasawa
D676,943 S * 2/2013 Kluss D23/262
D682,448 S * 5/2013 Nugent D26/22
D732,238 S * 6/2015 Kling D26/142

* cited by examiner

Primary Examiner — George D. Kirschbaum
Assistant Examiner — Natasha Vujcic
(74) *Attorney, Agent, or Firm* — Peter T. DiMauro; GE Global Patent Operation

(57) **CLAIM**

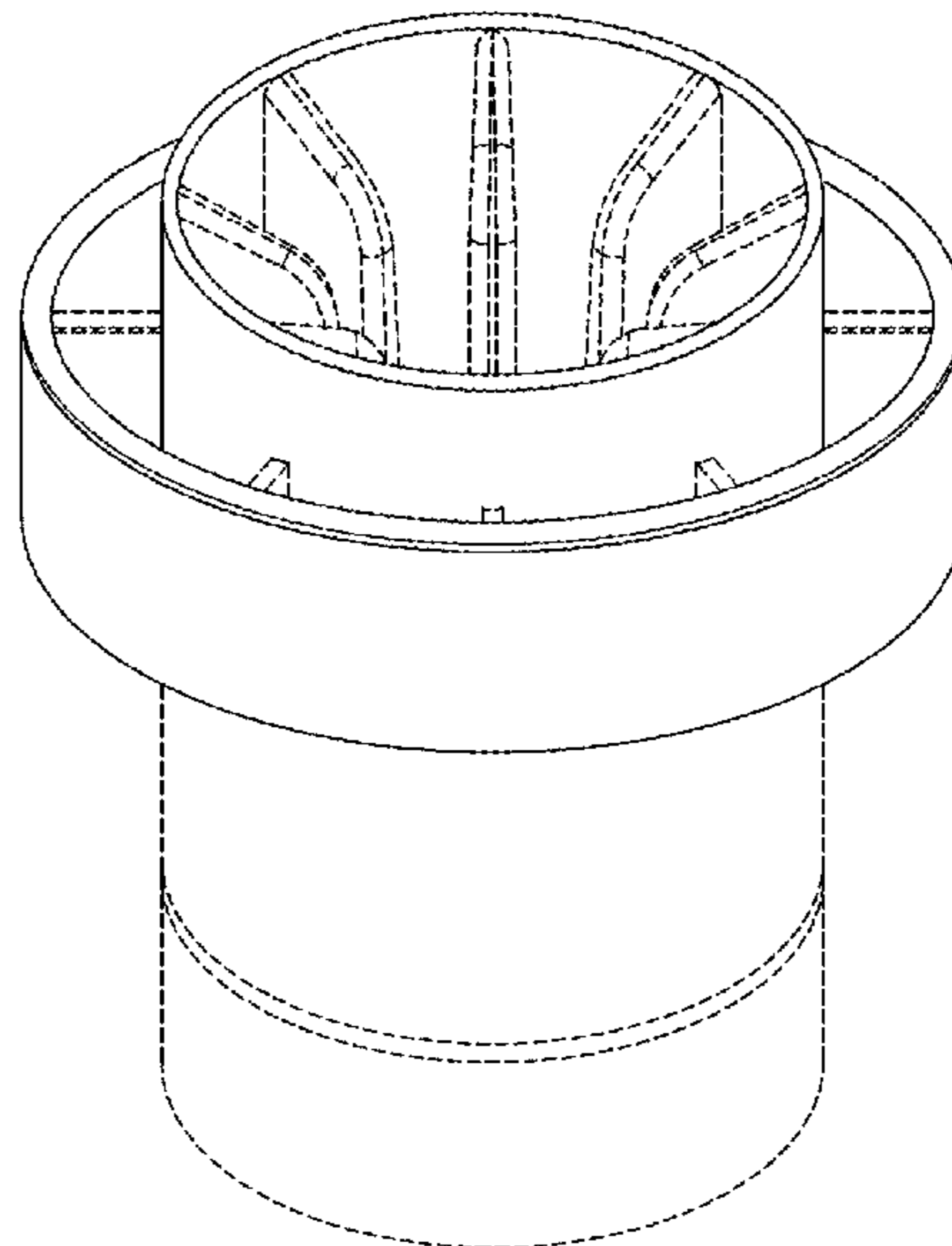
The ornamental design for a LED track luminaire, as shown and described.

DESCRIPTION

FIG. 1 is a perspective view of a LED track luminaire in accordance with the present design;
FIG. 2 is a front side view, wherein the rear side view is the mirror image thereof; and,
FIG. 3 is a top view thereof.
The broken lines illustrate portions of the LED track luminaire which form no part of the claimed design. Any shading forms no part of the claimed design and is provided to illustrate contour only and is not an indication of texture, gloss, and the like.

1 Claim, 2 Drawing Sheets

(56) **References Cited**
U.S. PATENT DOCUMENTS
D283,054 S * 3/1986 Altman D26/24
D313,084 S * 12/1990 Bramble D26/113
D452,343 S * 12/2001 Pan D26/138
D495,663 S * 9/2004 Chawgo D13/151
D535,422 S 1/2007 Mier-Langner



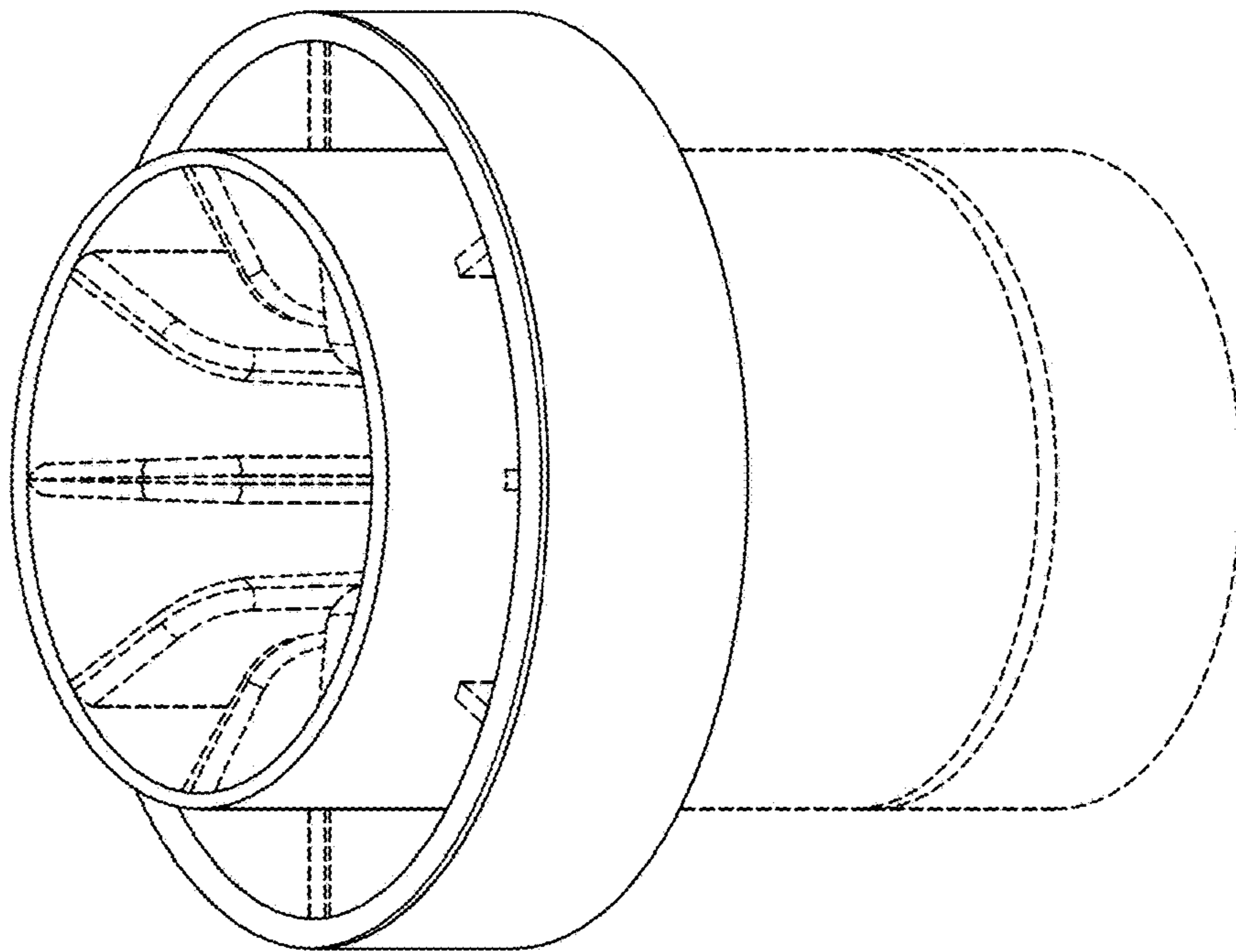


FIG. 1

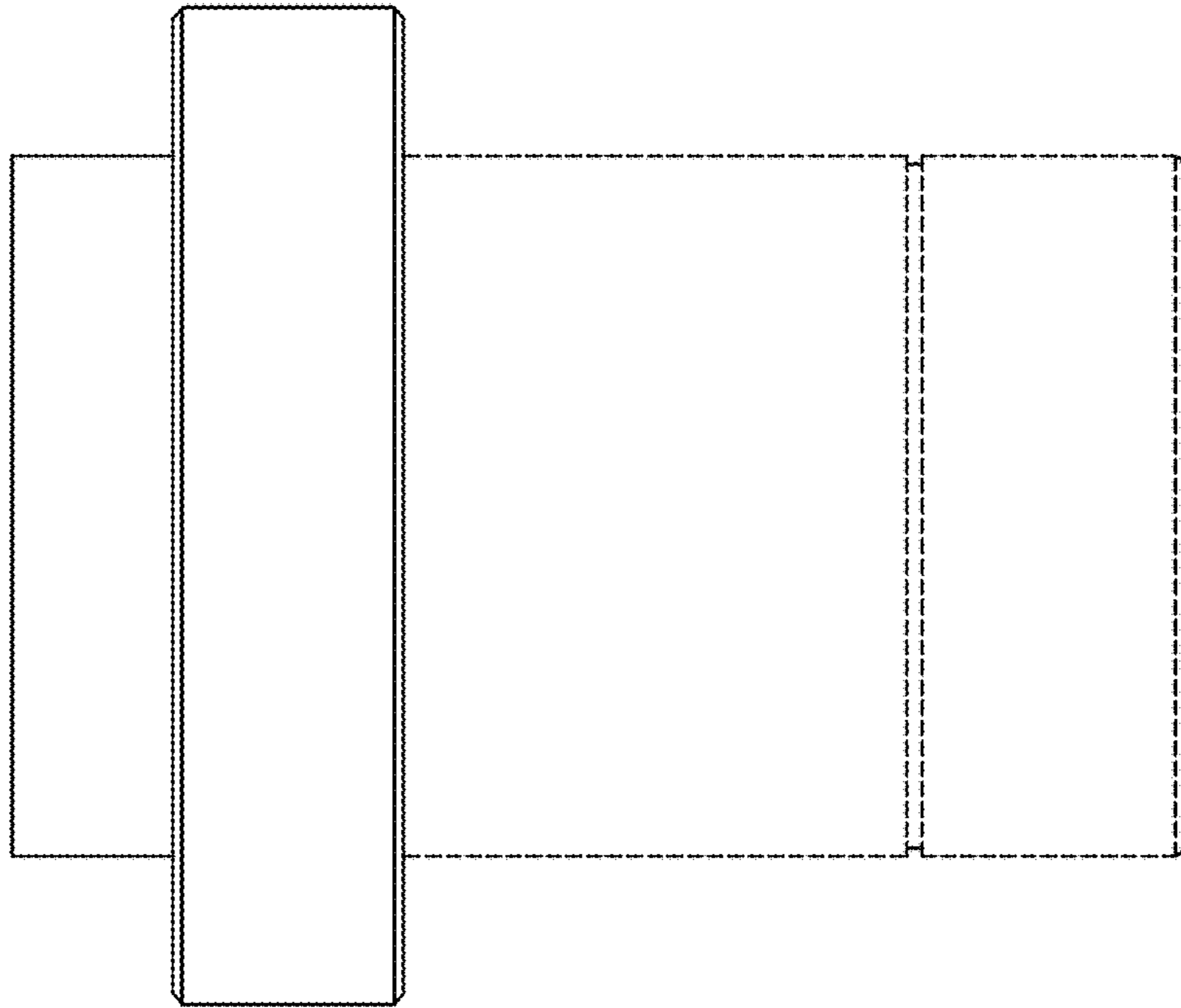


FIG. 2

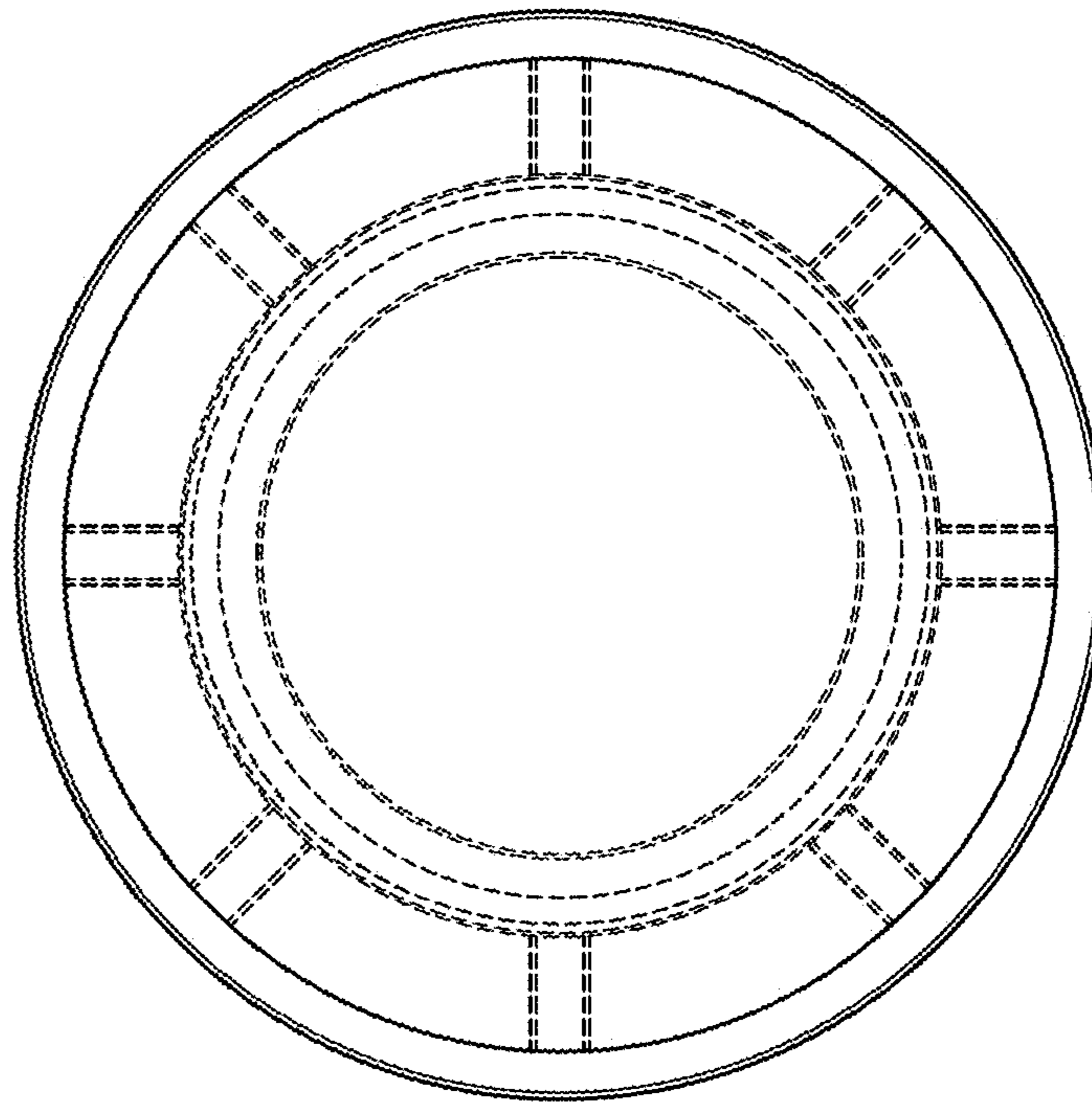


FIG. 3