



US00D818188S

(12) **United States Design Patent**
Trzesniowski

(10) **Patent No.:** **US D818,188 S**
(45) **Date of Patent:** **** May 15, 2018**

(54) **EXTRUSION FOR A LED-BASED LIGHTING APPARATUS**

(71) Applicant: **LEDsON Sp. ZOO, Sp.K.**, Blizne Laszczynskiego (PL)

(72) Inventor: **Slawomir Trzesniowski**, Warsaw (PL)

(**) Term: **15 Years**

(21) Appl. No.: **29/571,349**

(22) Filed: **Jul. 18, 2016**

(51) **LOC (11) Cl.** **26-05**

(52) **U.S. Cl.**
USPC **D26/138**

(58) **Field of Classification Search**
USPC D26/76, 78, 79, 80, 81, 82, 83, 85, 86, D26/88, 90, 113, 118, 119, 120, 121, 122, D26/138, 139, 140, 141, 142, 152
CPC F21S 2/00; F21S 4/00; F21S 4/003; F21S 4/005; F21S 4/006; F21S 4/007; F21S 4/008; F21S 6/00; F21S 8/00; F21S 8/024; F21S 8/026; F21S 8/031; F21S 8/033; F21S 8/035-8/037; F21S 8/04; F21S 8/043; F21S 8/063
See application file for complete search history.

(56) **References Cited**

U.S. PATENT DOCUMENTS

D424,213 S *	5/2000	Chaney	D25/122
D541,953 S *	5/2007	Deleu	D25/122
D616,567 S *	5/2010	Desrosiers	D25/122
D631,171 S *	1/2011	Konrad	D25/124
D649,680 S	11/2011	Trzesniowski		
D649,681 S	11/2011	Trzesniowski		
D649,682 S	11/2011	Trzesniowski		
D649,683 S	11/2011	Trzesniowski		
D649,684 S	11/2011	Trzesniowski		
D649,685 S	11/2011	Trzesniowski		
D649,686 S	11/2011	Trzesniowski		

D649,687 S	11/2011	Trzesniowski		
D649,688 S	11/2011	Trzesniowski		
D649,689 S	11/2011	Trzesniowski		
D649,690 S	11/2011	Trzesniowski		
D649,691 S	11/2011	Trzesniowski		
D649,692 S	11/2011	Trzesniowski		
D649,693 S	11/2011	Trzesniowski		
D651,739 S	1/2012	Trzesniowski		
D652,568 S	1/2012	Trzesniowski		
D652,569 S	1/2012	Trzesniowski		
D652,985 S	1/2012	Trzesniowski		
D652,986 S	1/2012	Trzesniowski		
D666,329 S *	8/2012	Morton	D25/122
D702,875 S *	4/2014	Klus	D25/122

(Continued)

FOREIGN PATENT DOCUMENTS

EM	001908617-0001	8/2011
EM	001950759-0001	11/2011

(Continued)

Primary Examiner — George D. Kirschbaum
Assistant Examiner — Natasha Vujcic
(74) *Attorney, Agent, or Firm* — Zane Coleman

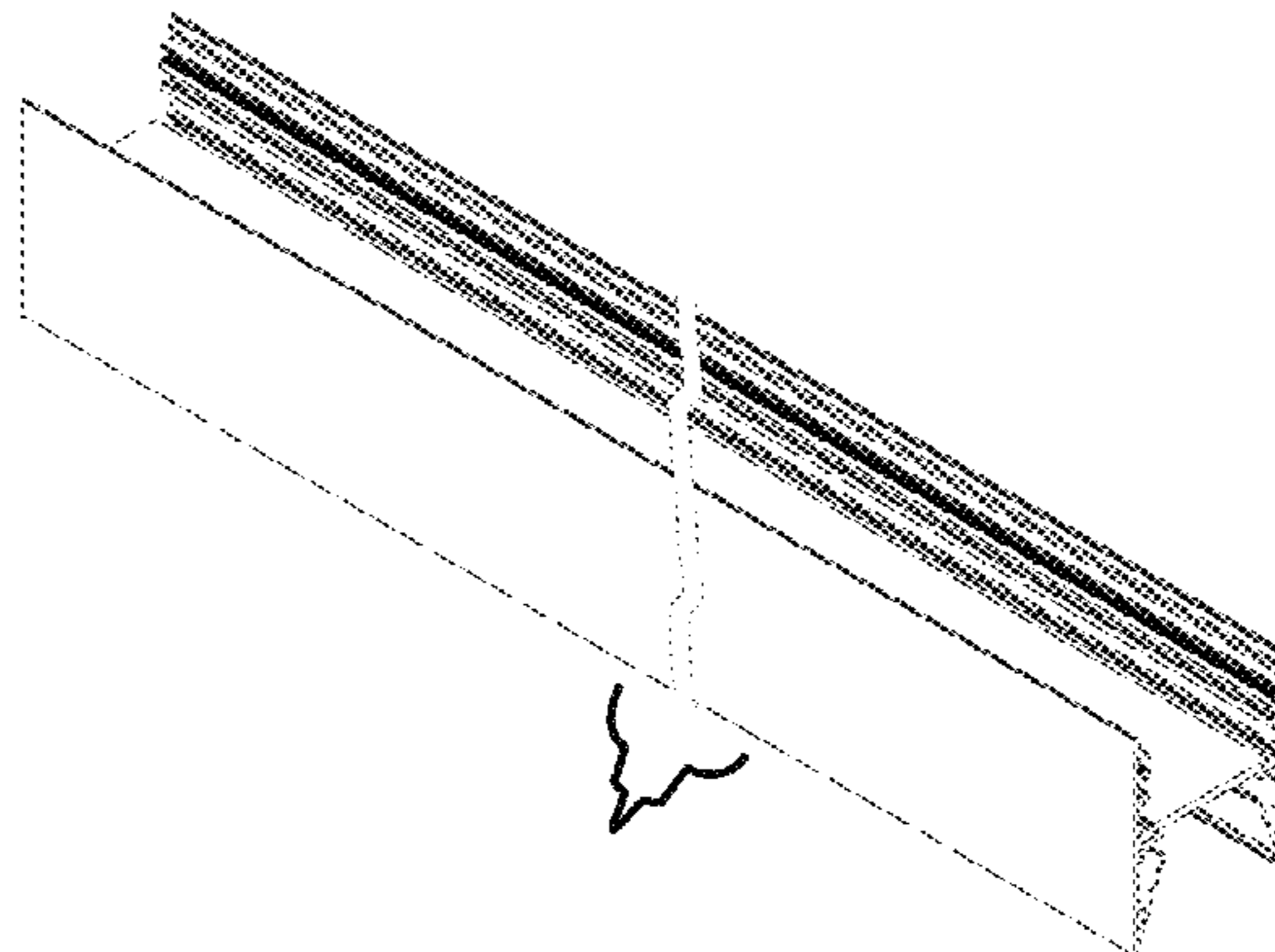
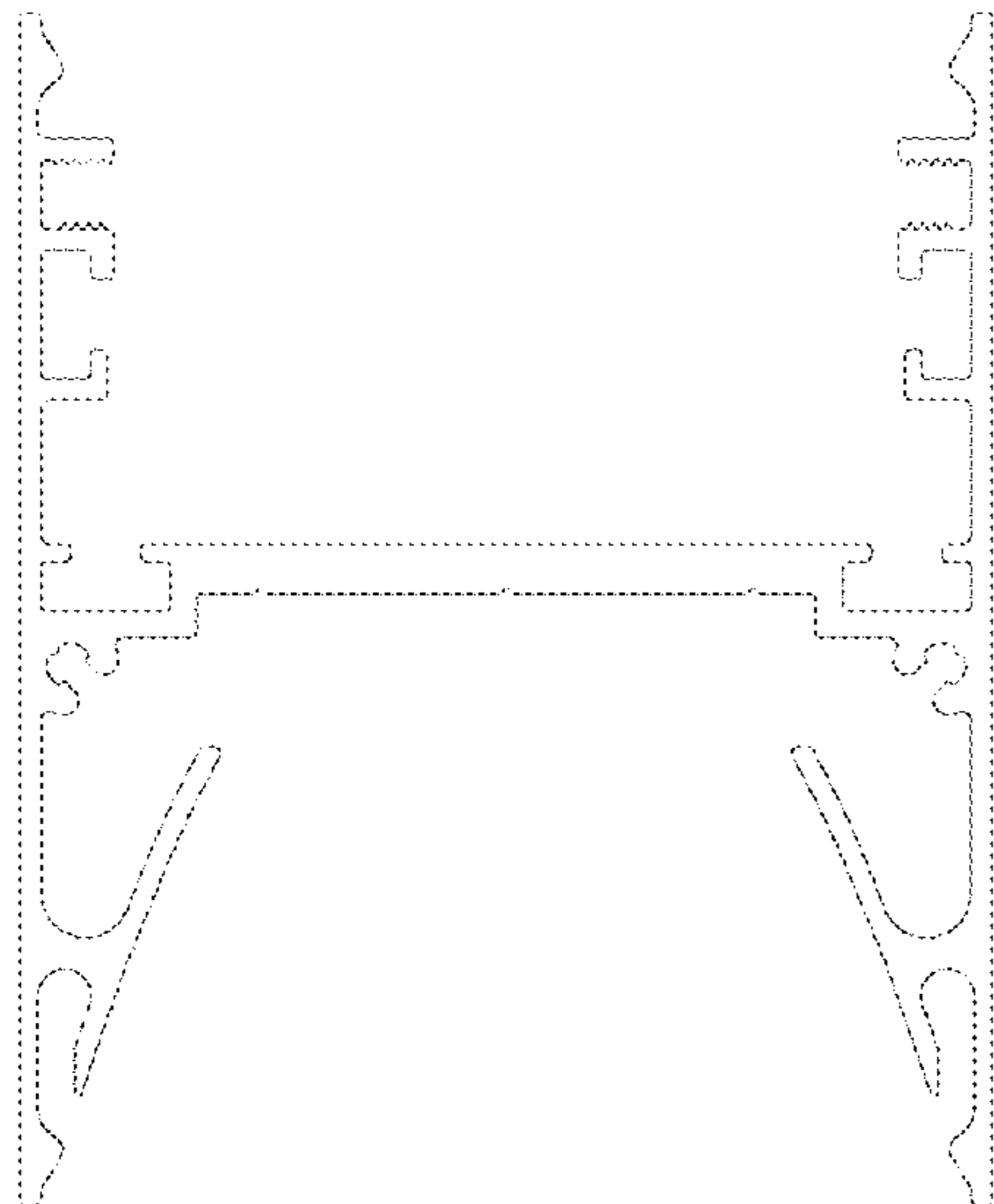
(57) **CLAIM**

The ornamental design for an extrusion for a LED-based lighting apparatus, as described and shown.

DESCRIPTION

FIG. 1 is a right side elevation view of an extrusion for a LED-based lighting apparatus showing my new and original design; the left side elevation view being a mirror image thereof; and, FIG. 2 is back-left side perspective view thereof. The broken break lines and brackets shown in FIG. 2 indicates that the appearance of any portion of the extrusion for LED-based lighting apparatus between the break lines forms no part of the claimed design.

1 Claim, 2 Drawing Sheets



(56)

References Cited

U.S. PATENT DOCUMENTS

D724,260 S * 3/2015 Klus D26/141
 D731,704 S * 6/2015 Klus D26/138
 D733,354 S * 6/2015 Klus D26/138
 D733,355 S * 6/2015 Klus D26/138
 D775,409 S * 12/2016 Klus D26/138
 D775,410 S * 12/2016 Klus D26/138
 D782,104 S * 3/2017 Klus D26/138
 D798,471 S * 9/2017 Trennaine D25/119
 D807,572 S * 1/2018 Klus D26/138
 D809,704 S * 2/2018 Klus D26/142

FOREIGN PATENT DOCUMENTS

EM 002014126-0001 3/2012
 EM 002014126-0002 3/2012
 EM 002049700-0001 5/2012
 EM 002049700-0002 5/2012

EM 002049700-0003 5/2012
 EM 002049700-0004 5/2012
 EM 002049700-0005 5/2012
 EM 002049700-0006 5/2012
 EM 002502724-0001 7/2014
 EM 002502724-0002 7/2014
 EM 002502724-0003 7/2014
 EM 002502724-0004 7/2014
 EM 002502724-0005 7/2014
 EM 002502724-0006 7/2014
 EM 002579565-0001 11/2014
 EM 002579565-0002 11/2014
 EM 002579565-0003 11/2014
 EM 002802140-0001 9/2015
 EM 002802140-0002 9/2015
 EM 002802140-0003 9/2015
 EM 002802140-0004 9/2015
 EM 002802140-0005 9/2015
 EM 002802140-0006 9/2015

* cited by examiner

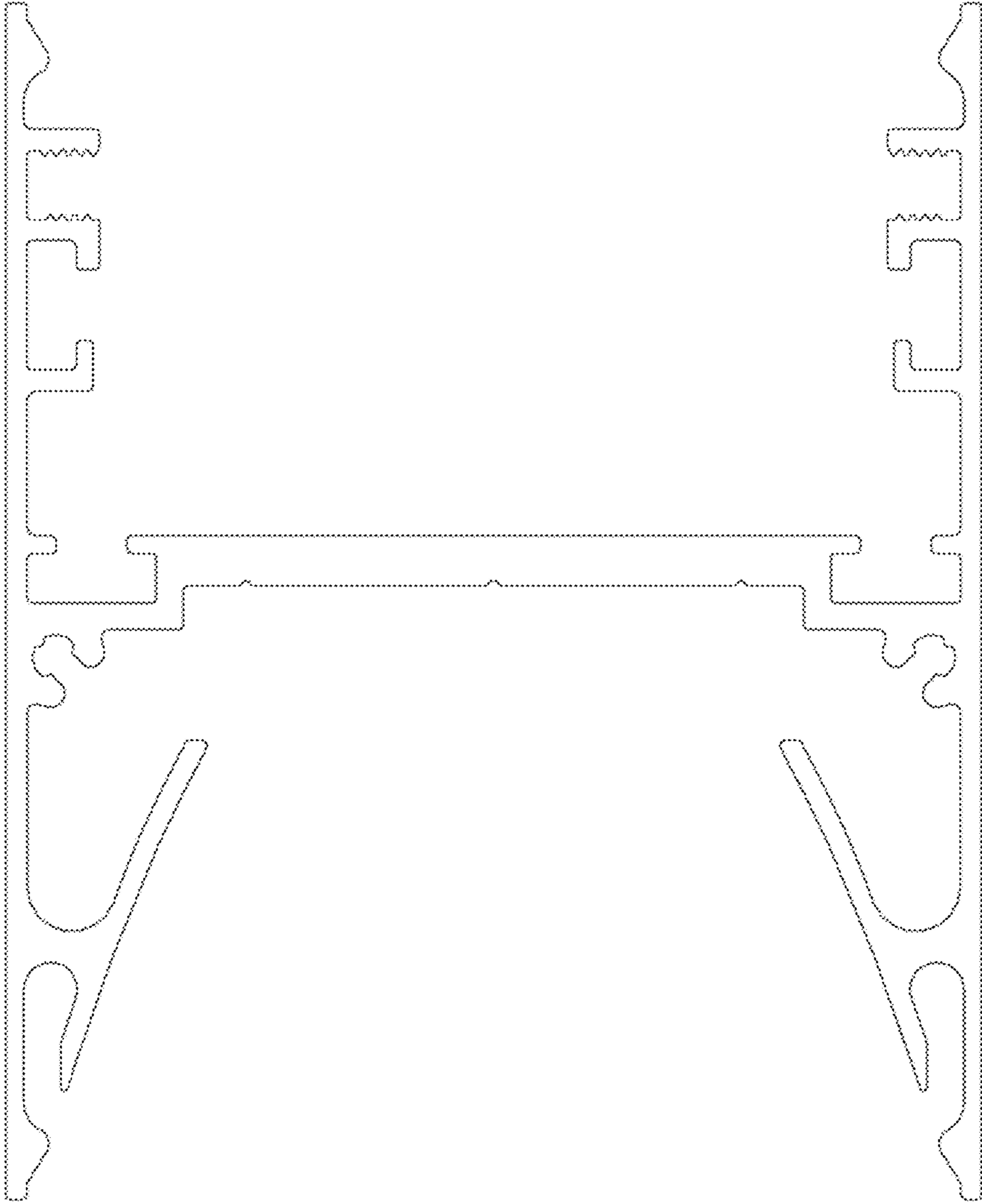


FIG. 1

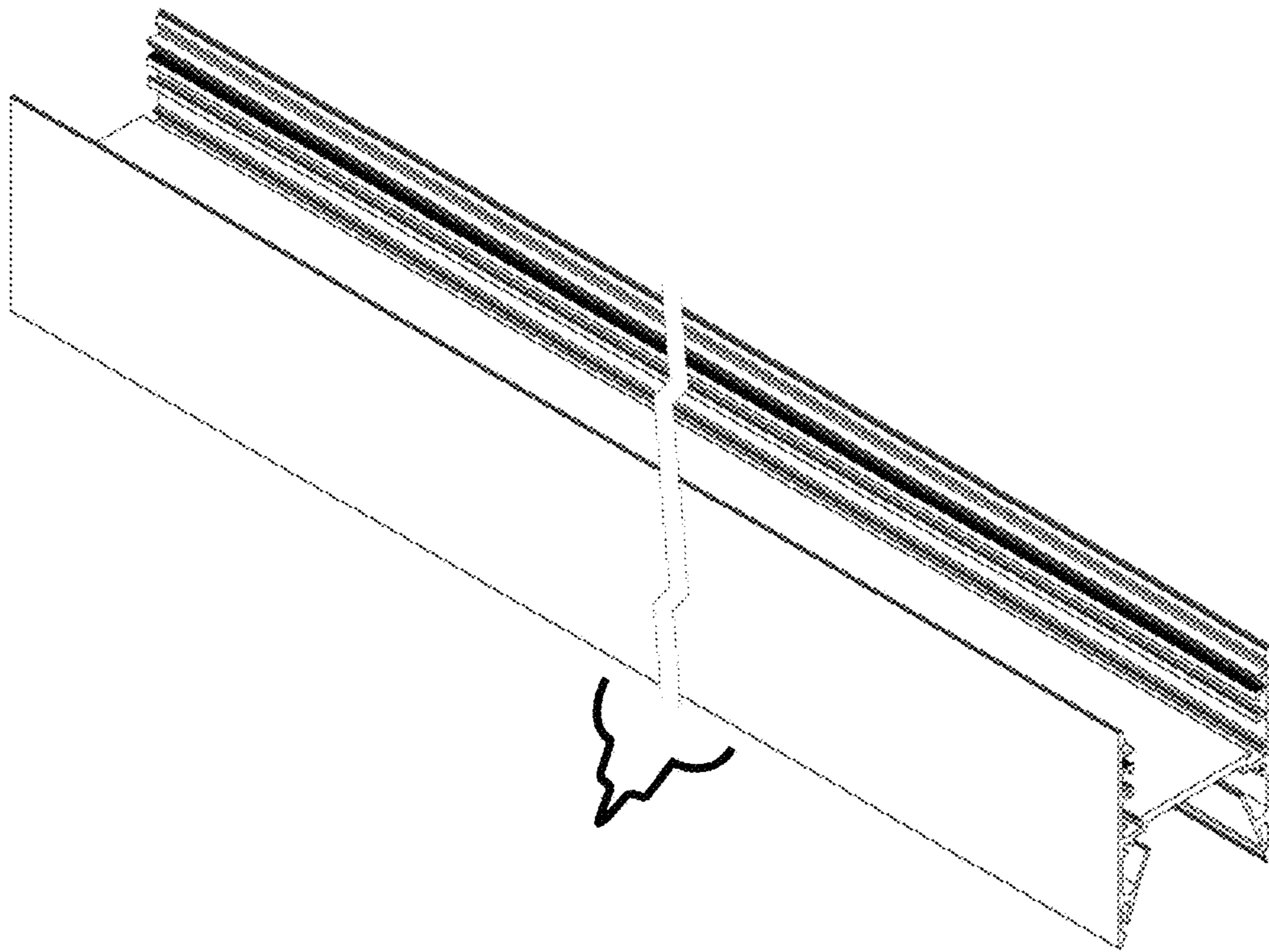


FIG. 2