



US00D818184S

(12) **United States Design Patent** (10) **Patent No.:** **US D818,184 S**
Wu (45) **Date of Patent:** **** May 15, 2018**

(54) **VEHICLE LIGHT**
(71) Applicant: **COPLUS INC.**, Tainan (TW)
(72) Inventor: **Po-Hua Wu**, Tainan (TW)
(73) Assignee: **Coplus Inc.**, Tainan (TW)
(**) Term: **15 Years**

D739,581 S * 9/2015 Huang D26/28
D776,308 S * 1/2017 Huang D26/28
D779,692 S * 2/2017 del Rosario D26/28
D782,083 S * 3/2017 Huang D26/28
D787,099 S * 5/2017 Giolito D26/28
D788,334 S * 5/2017 Jacq D26/28
D789,571 S * 6/2017 Sauzay D26/28
D792,993 S * 7/2017 Ko D26/28
D794,844 S * 8/2017 Leban D26/28
D799,082 S * 10/2017 Lai D26/28

(21) Appl. No.: **29/584,725**
(22) Filed: **Nov. 16, 2016**
(30) **Foreign Application Priority Data**

* cited by examiner
Primary Examiner — Brian N. Vinson
(74) *Attorney, Agent, or Firm* — Lewis Roca Rothgerber
Christie LLP

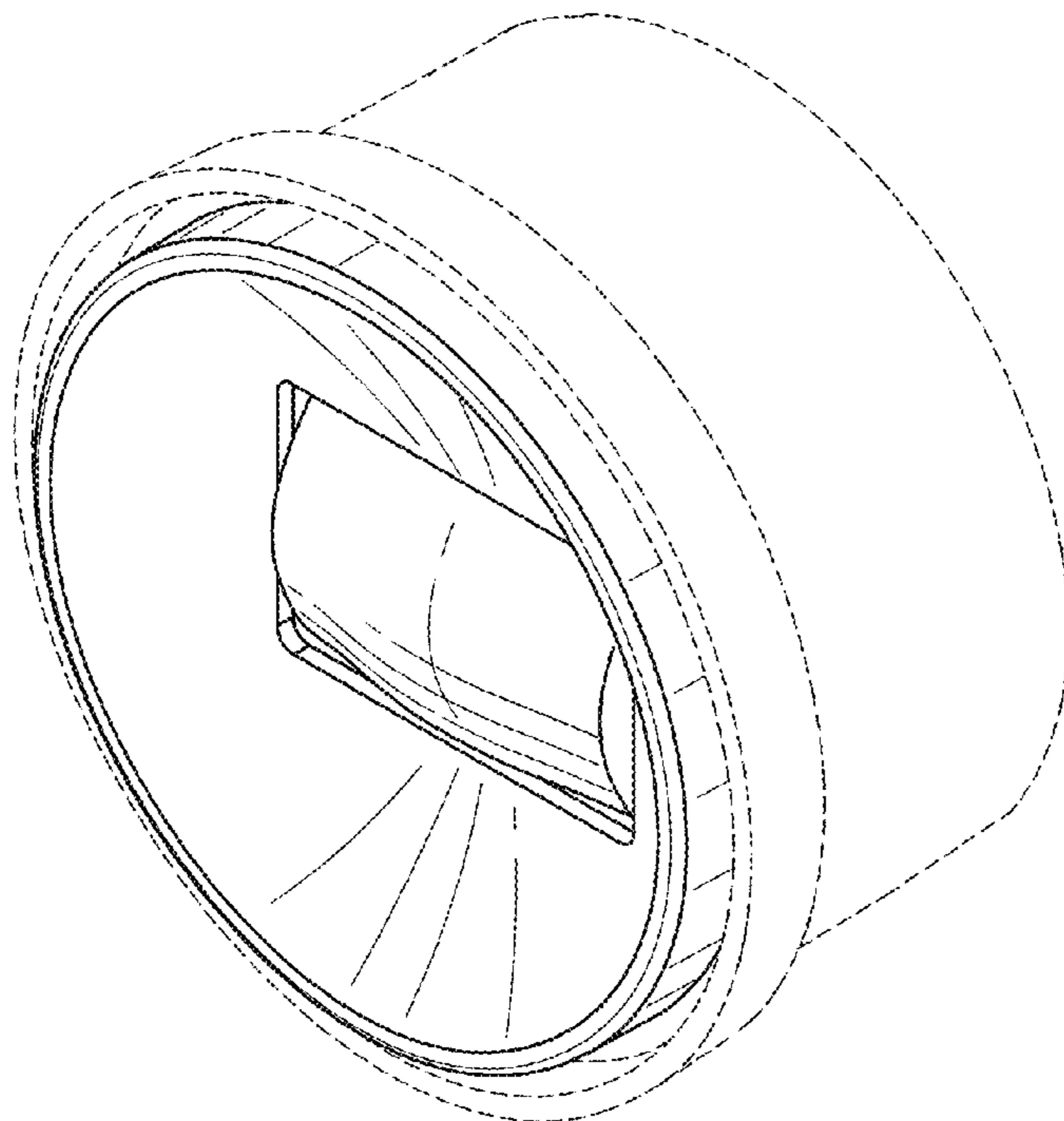
May 24, 2016 (TW) 105302910
(51) **LOC (11) Cl.** **26-99**
(52) **U.S. Cl.**
USPC **D26/124**
(58) **Field of Classification Search**
USPC D26/1, 2, 24, 28–36, 61–65, 118–124
CPC F21V 21/14; F21V 14/02; F21V 21/30;
F21V 21/00; F21V 14/00; F21S 8/00;
F21S 8/003; F21S 8/043; F21Y 2105/001;
G02B 7/022
See application file for complete search history.

(57) **CLAIM**
The ornamental design for a vehicle light, as shown and described.

(56) **References Cited**
U.S. PATENT DOCUMENTS
5,680,260 A * 10/1997 Farcella G02B 7/022
359/818
D626,670 S * 11/2010 Metzger D26/28

DESCRIPTION
FIG. 1 is a front perspective view of the vehicle light;
FIG. 2 is a front view thereof;
FIG. 3 is a rear view thereof;
FIG. 4 is a left side view thereof;
FIG. 5 is a right side view thereof;
FIG. 6 is a top view thereof; and,
FIG. 7 is a bottom view thereof.
The broken lines in the drawings are for illustrative purpose only and form no part of the claimed design.

1 Claim, 4 Drawing Sheets



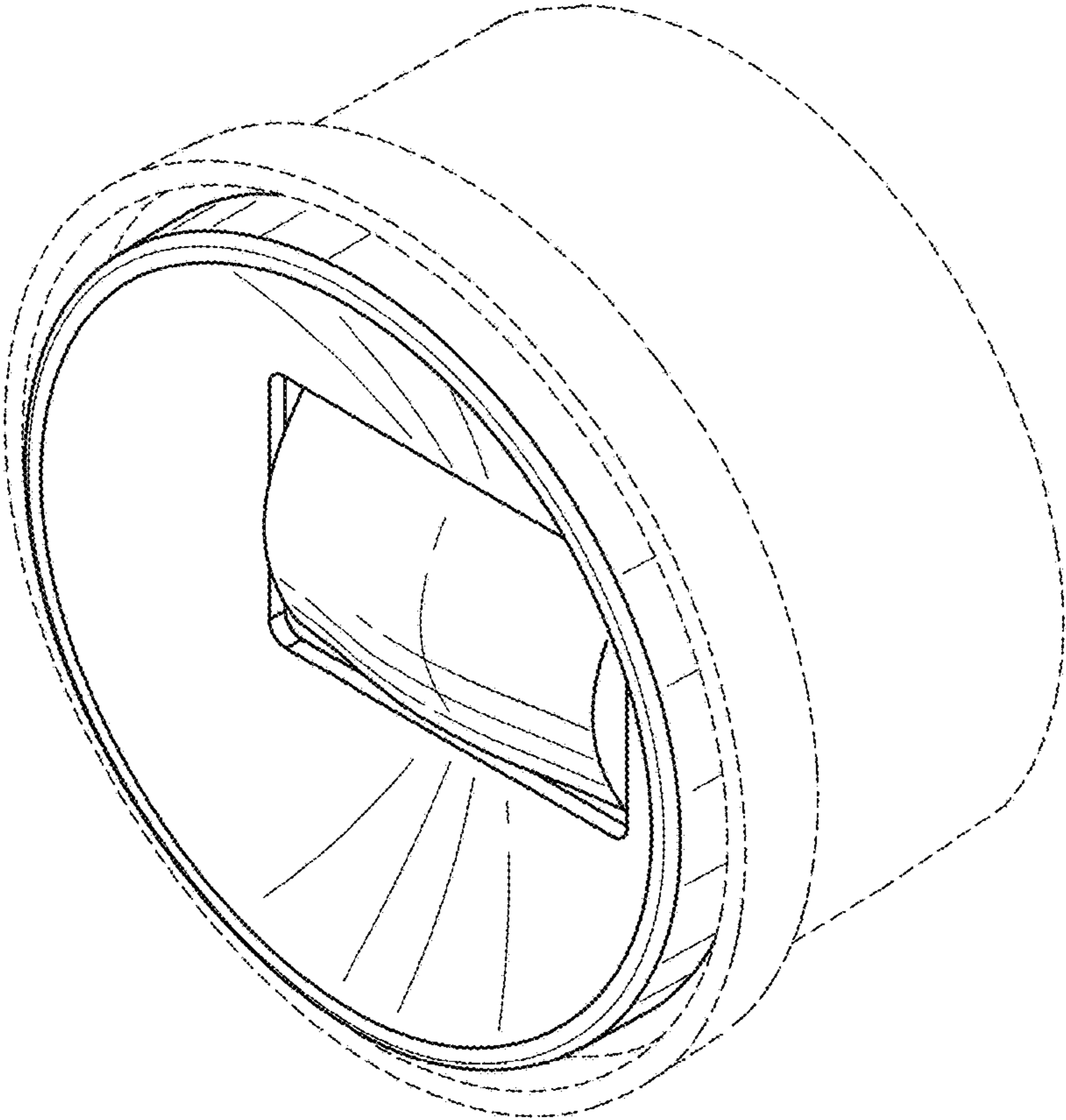


FIG. 1

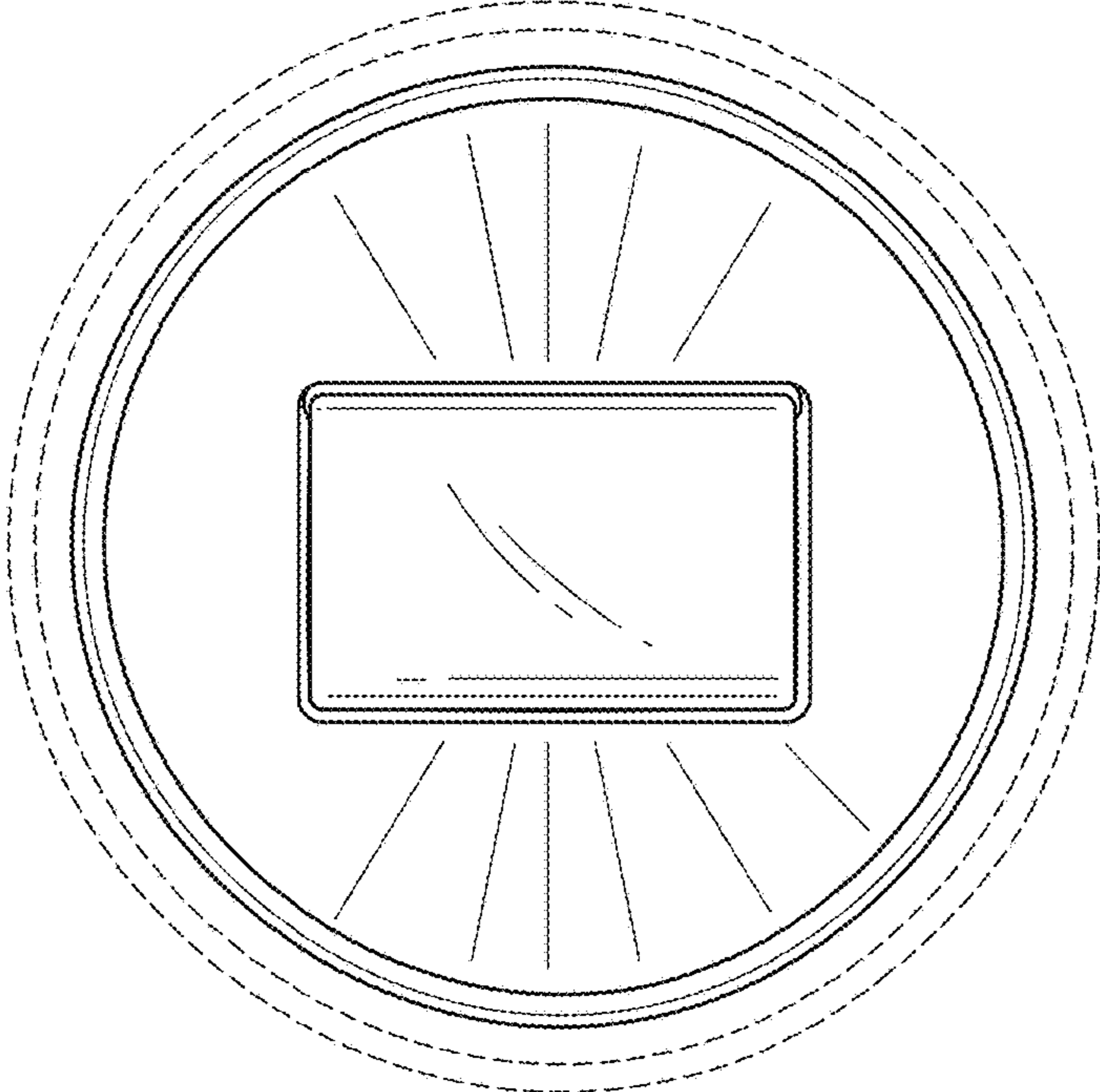


FIG. 2

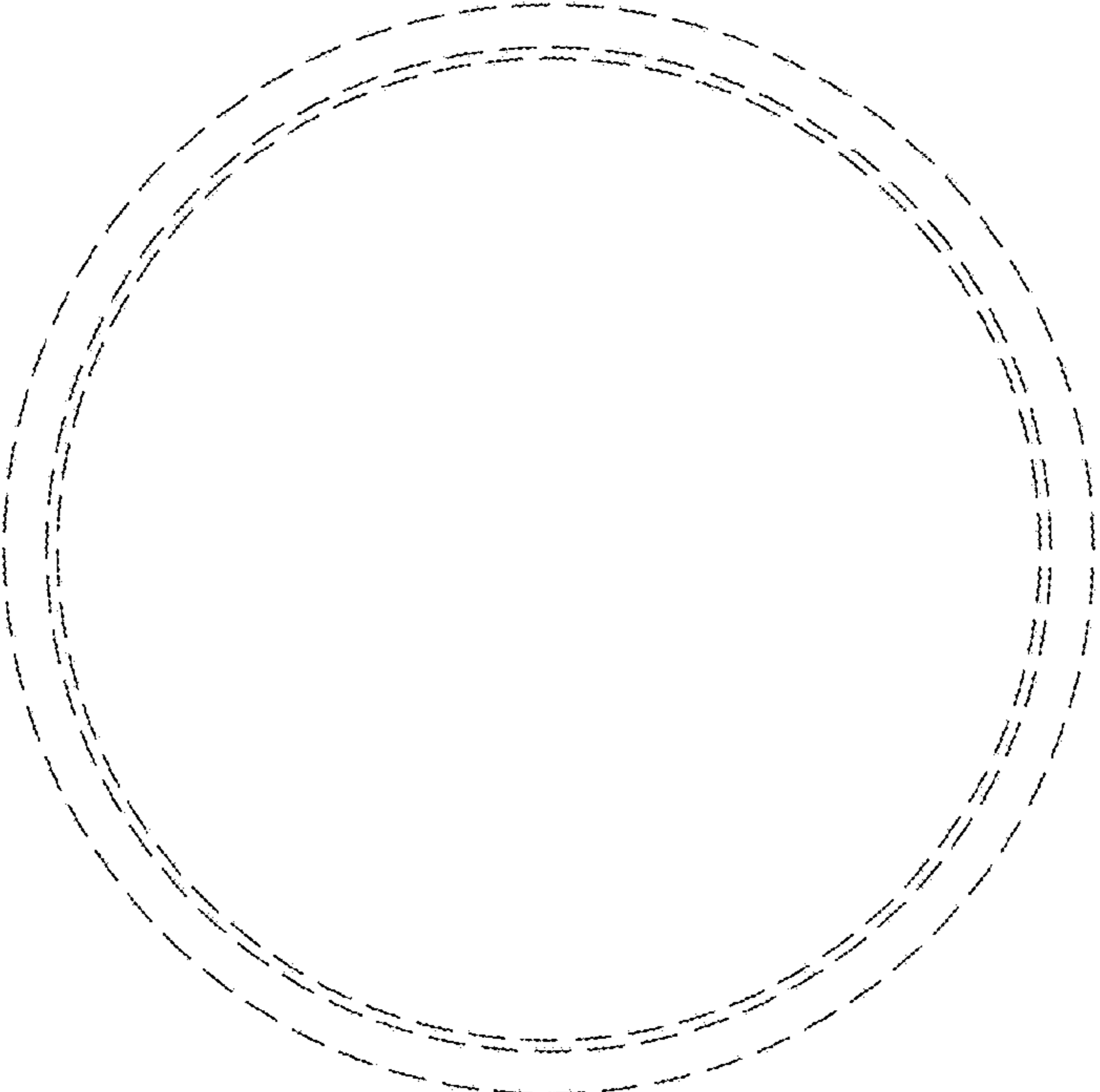


FIG. 3

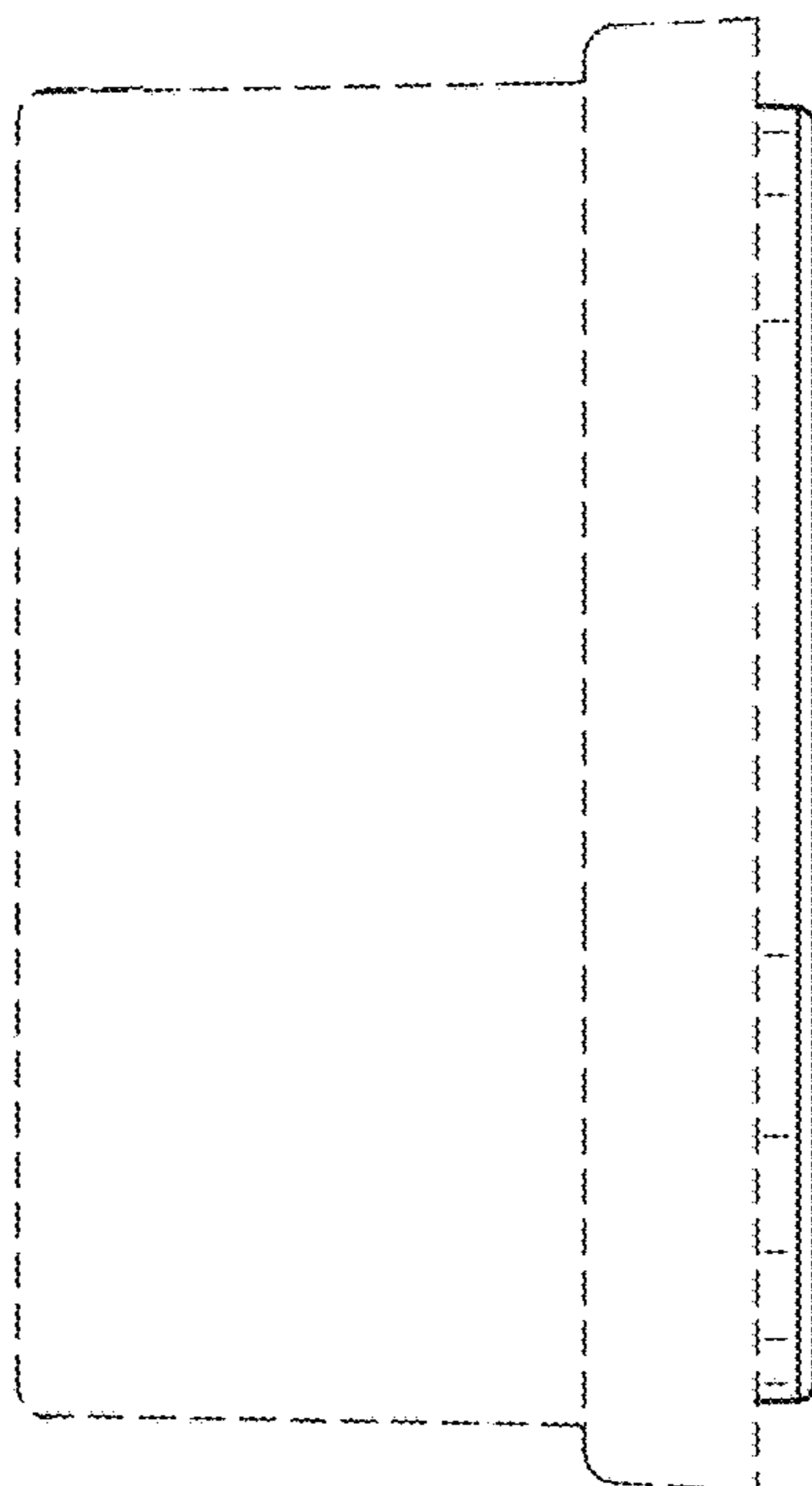


FIG. 4

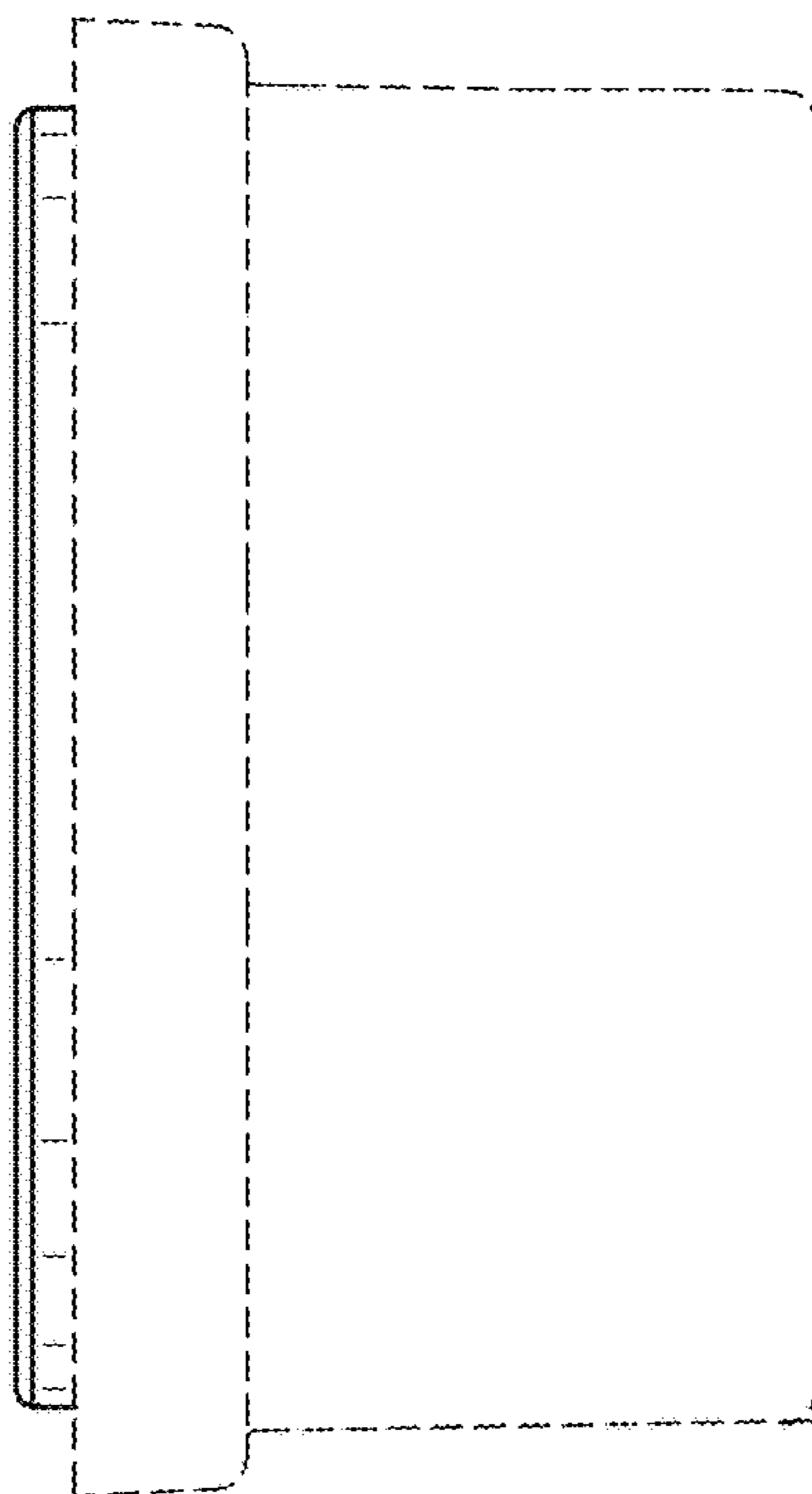


FIG. 5

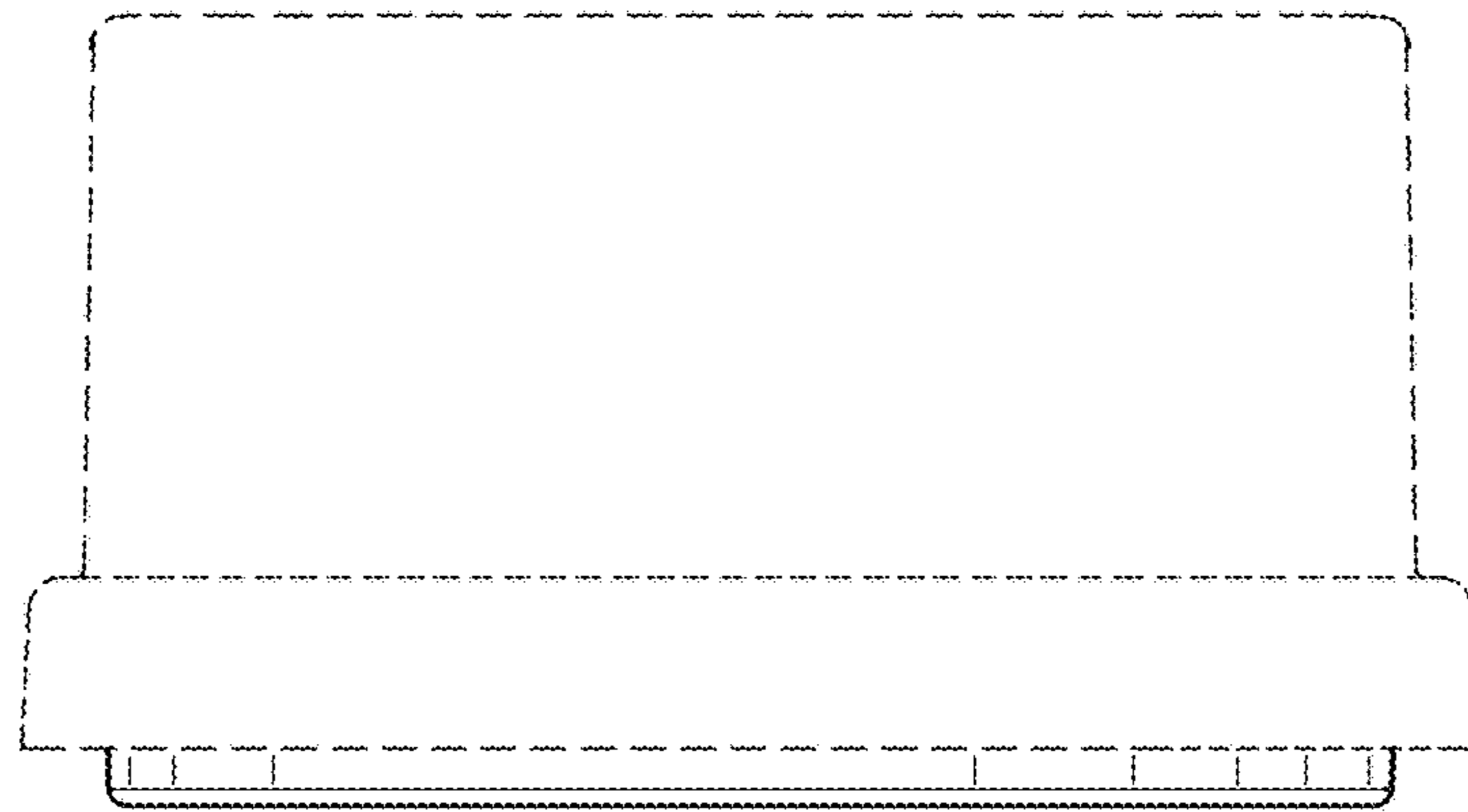


FIG. 6

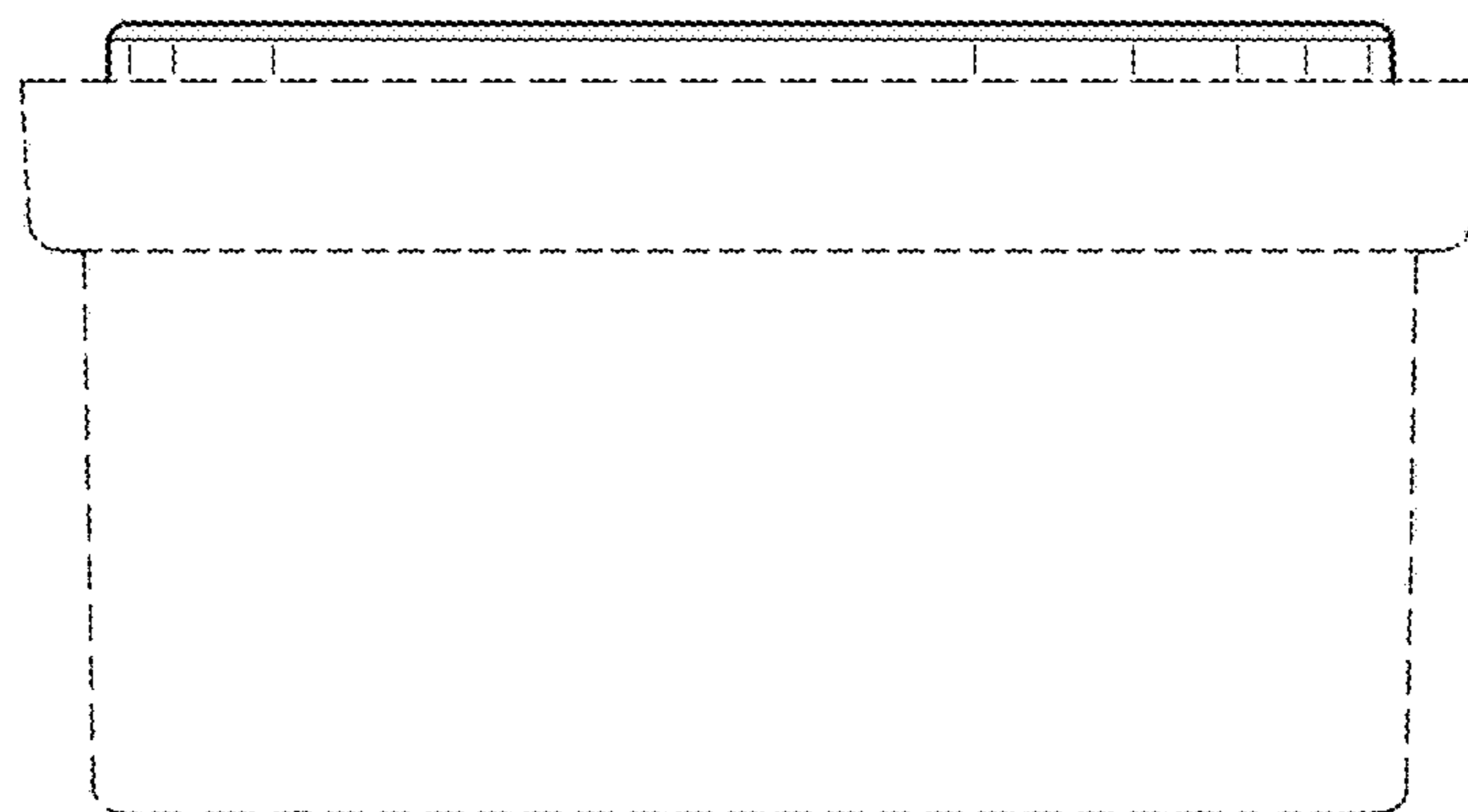


FIG. 7