



US00D818183S

(12) **United States Design Patent**
Nishimoto

(10) **Patent No.:** **US D818,183 S**

(45) **Date of Patent:** **** May 15, 2018**

(54) **HANGING LIGHT SOURCE COVER**

(71) Applicant: **Taeg Kim Nishimoto**, San Antonio, TX (US)

(72) Inventor: **Taeg Kim Nishimoto**, San Antonio, TX (US)

(**) Term: **15 Years**

(21) Appl. No.: **29/583,508**

(22) Filed: **Nov. 6, 2016**

(51) **LOC (11) Cl.** **26-99**

(52) **U.S. Cl.**
USPC **D26/118; D26/88**

(58) **Field of Classification Search**
USPC D26/72, 80, 81, 84, 85, 86, 87, 88, 90,
D26/91, 93, 103-105
CPC F21S 8/043; F21S 8/046; F21S 8/06; F21S
8/061; F21S 8/063; F21S 8/065; F21S
8/068; F21S 8/083
See application file for complete search history.

(56) **References Cited**

U.S. PATENT DOCUMENTS

D84,764 S *	7/1931	Stange	D26/88
D234,621 S *	3/1975	Muller	D26/80
D240,852 S *	8/1976	Jacobsen	D26/86
D468,475 S *	1/2003	De Lucchi	D26/90
D480,171 S *	9/2003	Alduby	D26/118
D652,163 S *	1/2012	Tsai	D26/118
D656,661 S *	3/2012	Tsai	D26/118
D660,501 S *	5/2012	Martin	D26/82
D751,242 S *	3/2016	Chiu	D26/118
D792,003 S *	7/2017	Sonneman	D26/86
D792,630 S *	7/2017	Sonneman	D26/86
D807,560 S *	1/2018	Jones	D26/81
2014/0078756 A1 *	3/2014	Tuttle	F21V 1/146 362/382

* cited by examiner

Primary Examiner — Clare E Heflin

(74) *Attorney, Agent, or Firm* — Roman Aguilera, III

(57) **CLAIM**

The ornamental design for a hanging light source cover, as shown and described.

DESCRIPTION

FIG. 1 is a front perspective view of the hanging light source cover;

FIG. 2 is a right side view of the hanging light source cover;

FIG. 3 is a front side view of the hanging light source cover;

FIG. 4 is a left side perspective view of the hanging light source cover;

FIG. 5 is a right side perspective view of the hanging light source cover;

FIG. 6 is a top view of the hanging light source cover;

FIG. 7 is a bottom view of the hanging light source cover;

FIG. 8 is a front perspective view of the hanging light source cover hung in an upside down configuration;

FIG. 9 is a right side view of the hanging light source cover hung in an upside down configuration;

FIG. 10 is a front view of the hanging light source cover hung in an upside down configuration;

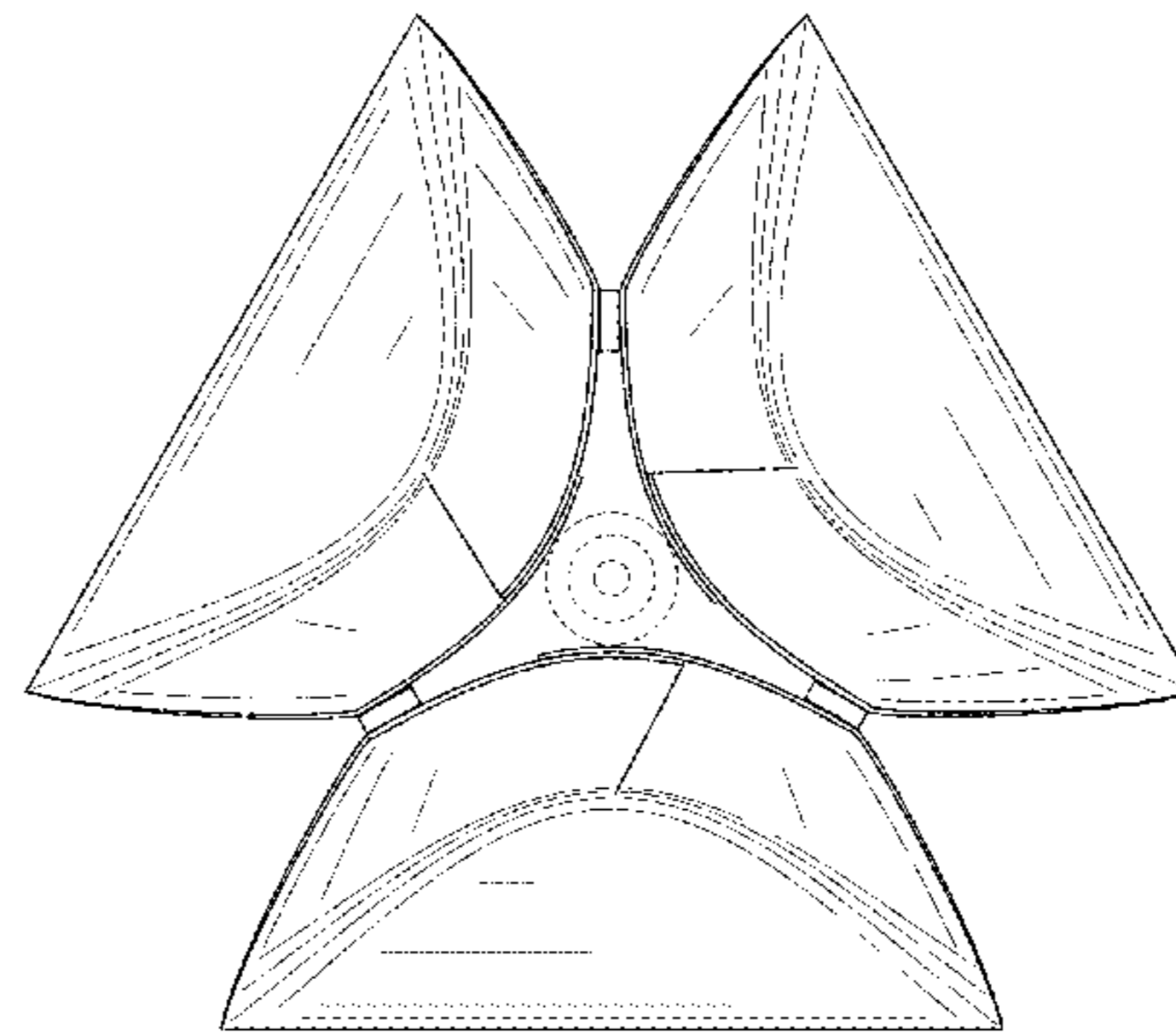
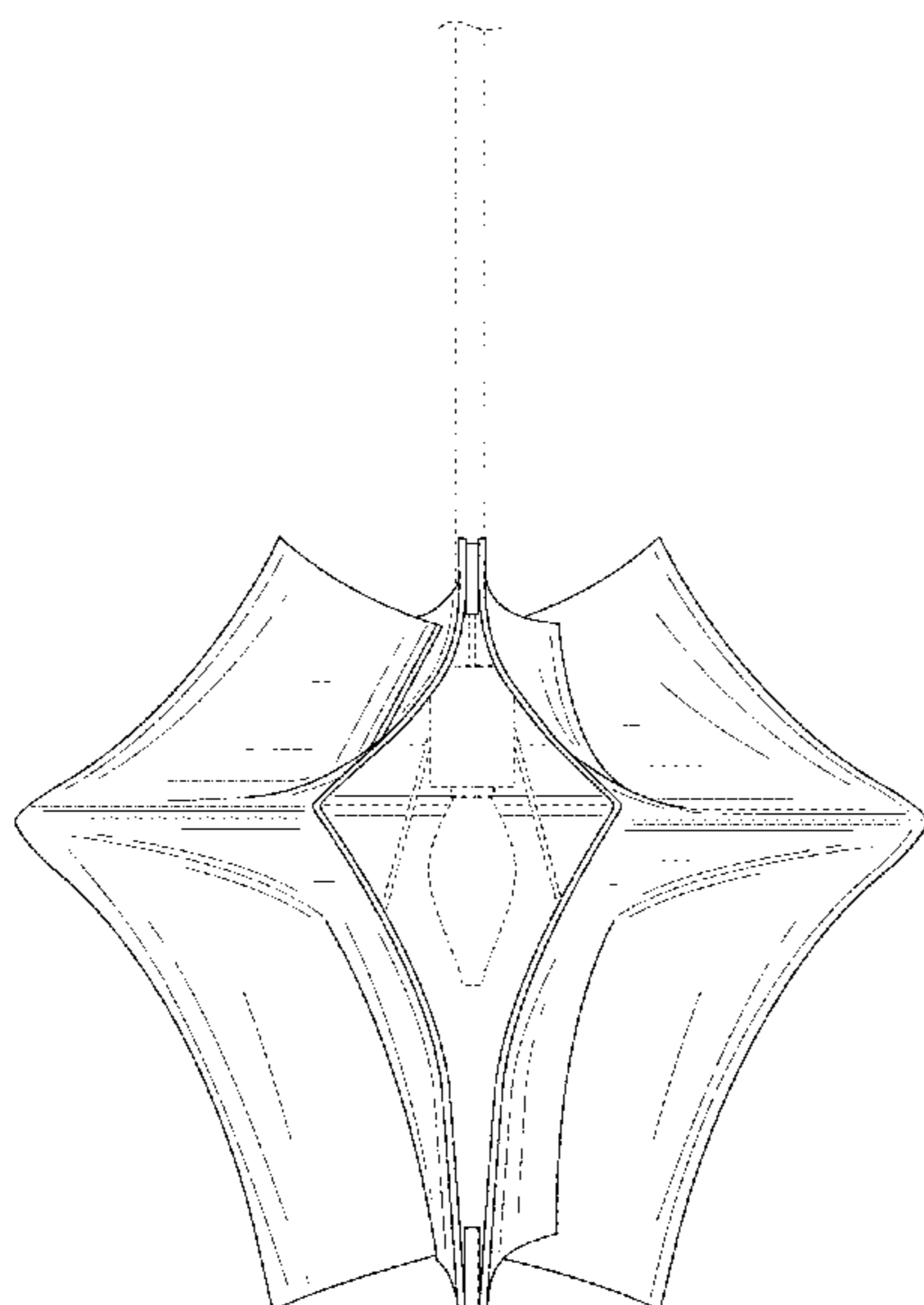
FIG. 11 is a left side perspective view of the hanging light source cover hung in an upside down configuration;

FIG. 12 is a right side perspective view of the hanging light source cover hung in an upside down configuration;

FIG. 13 is a top view of the hanging light source cover; and,

FIG. 14 is a bottom view of the hanging light source cover. The broken lines shown on the drawings depict environment only and form no part of the claimed design.

1 Claim, 12 Drawing Sheets



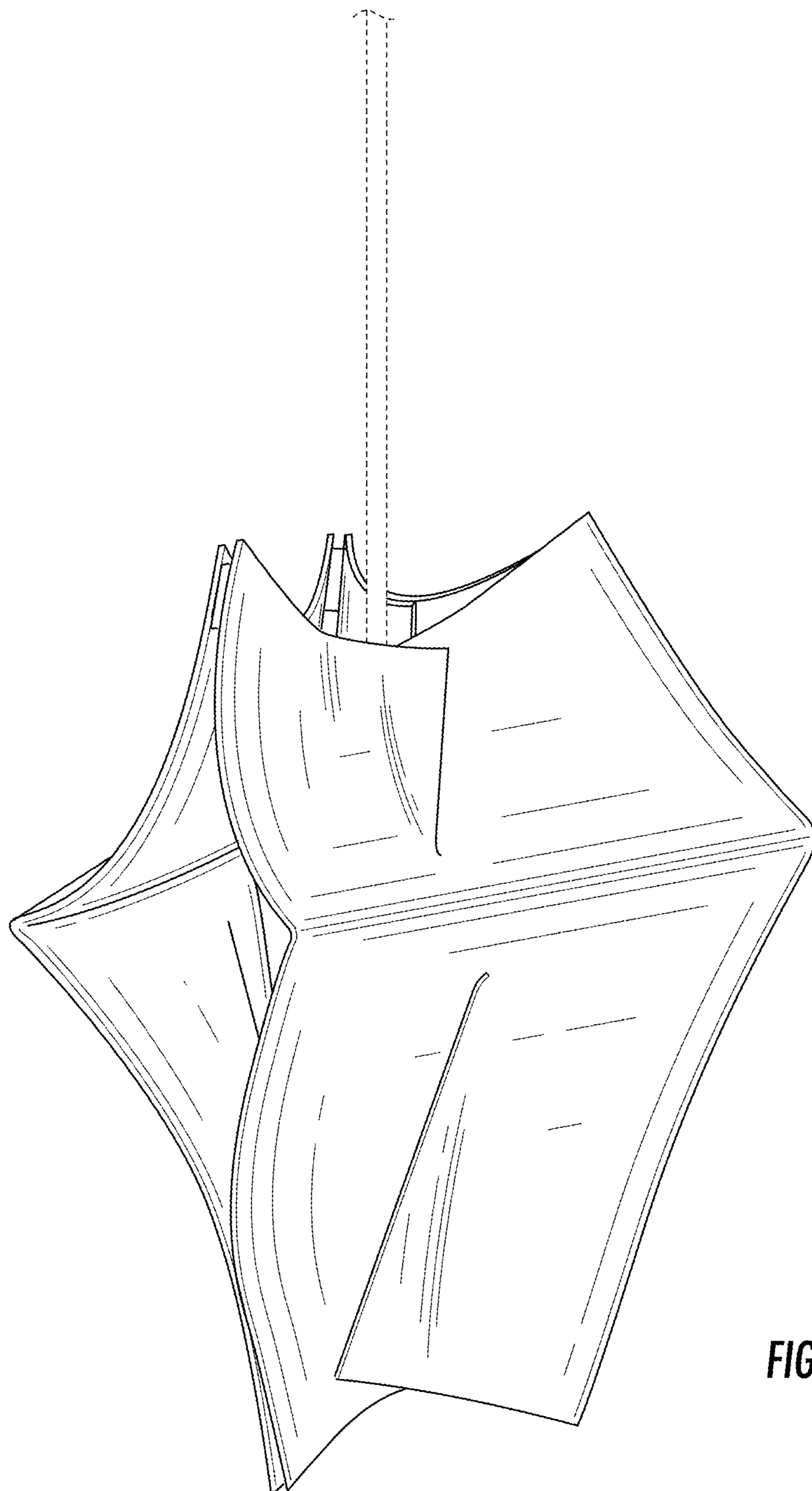


FIG. 1

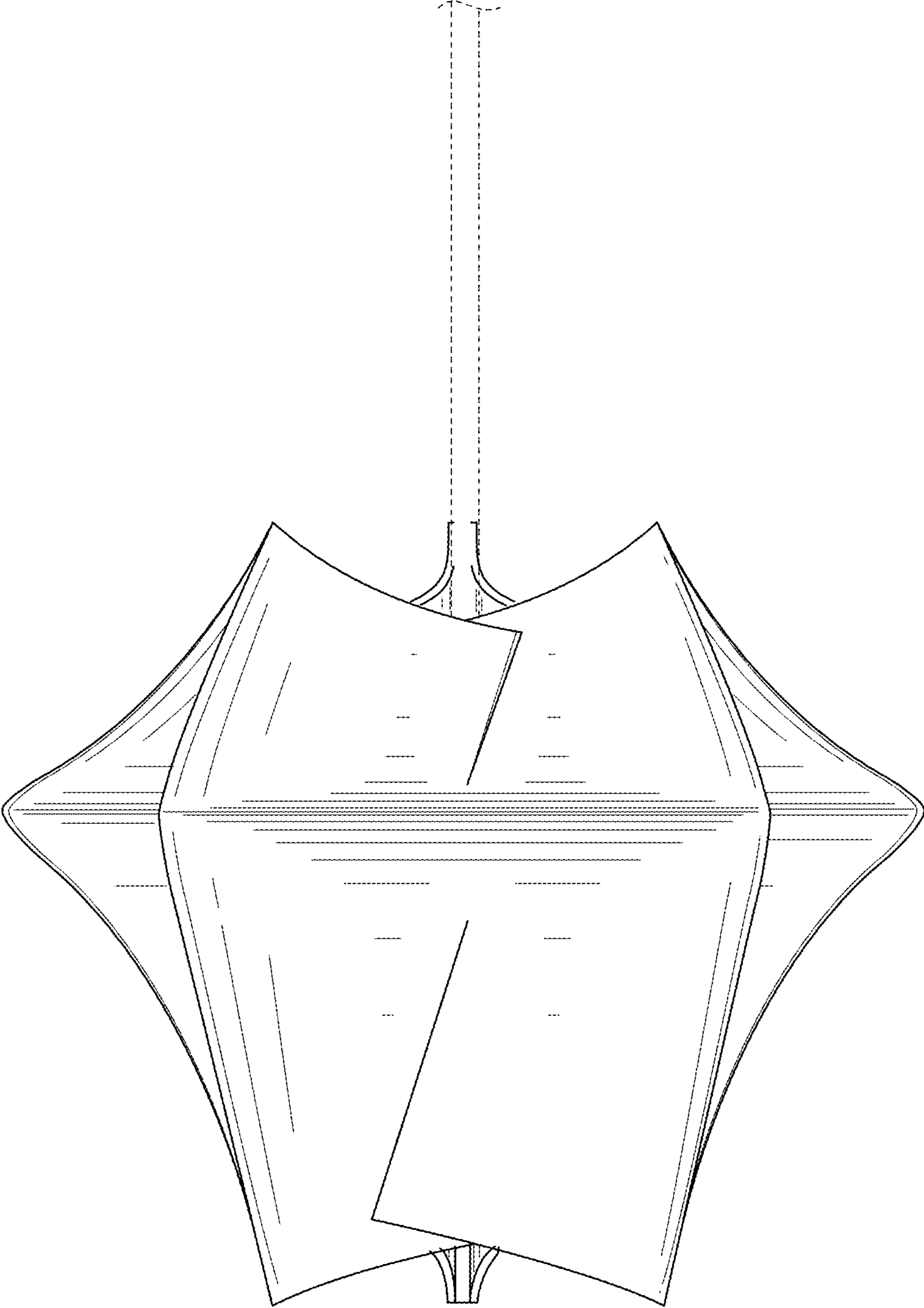


FIG. 2

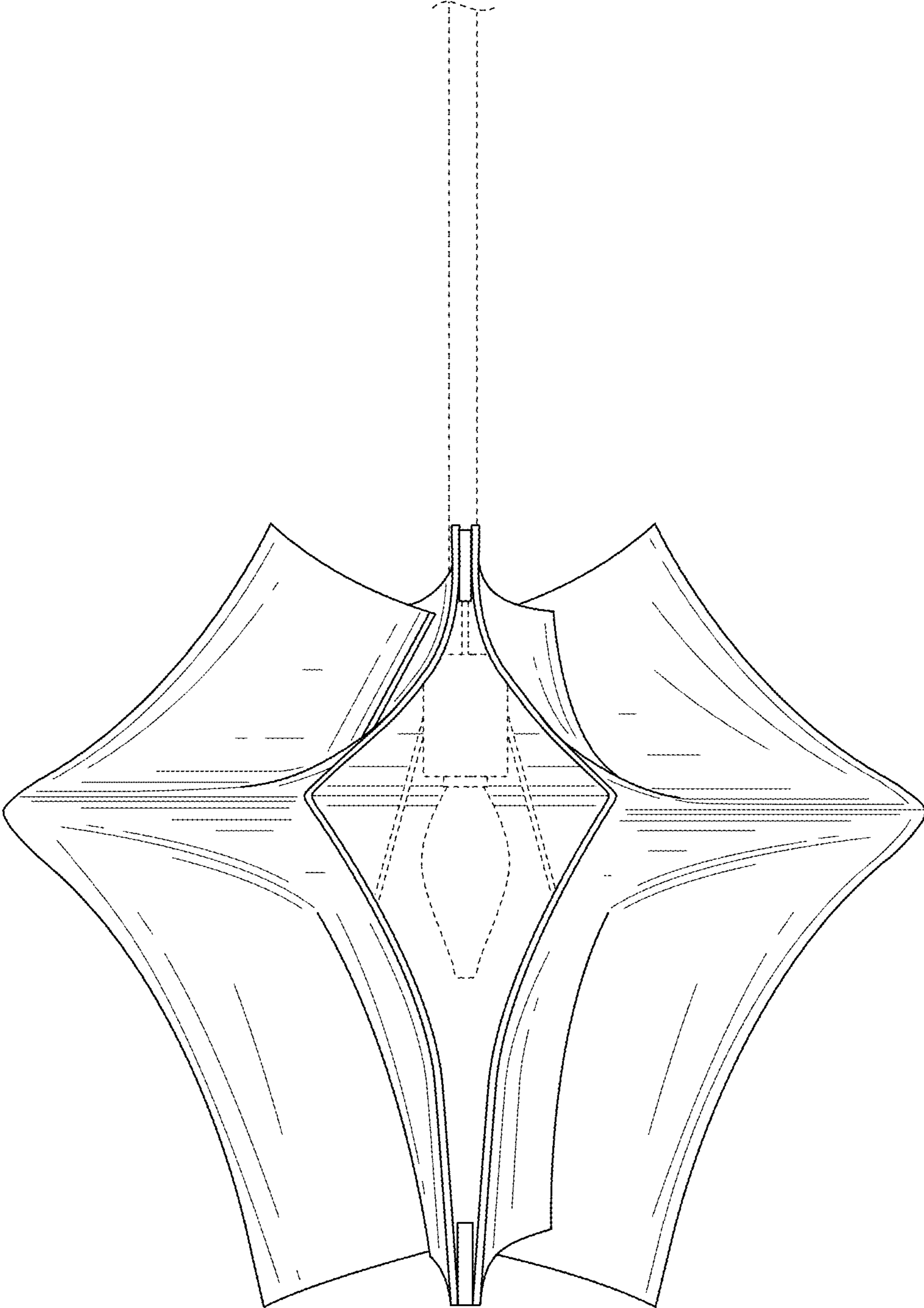


FIG. 3

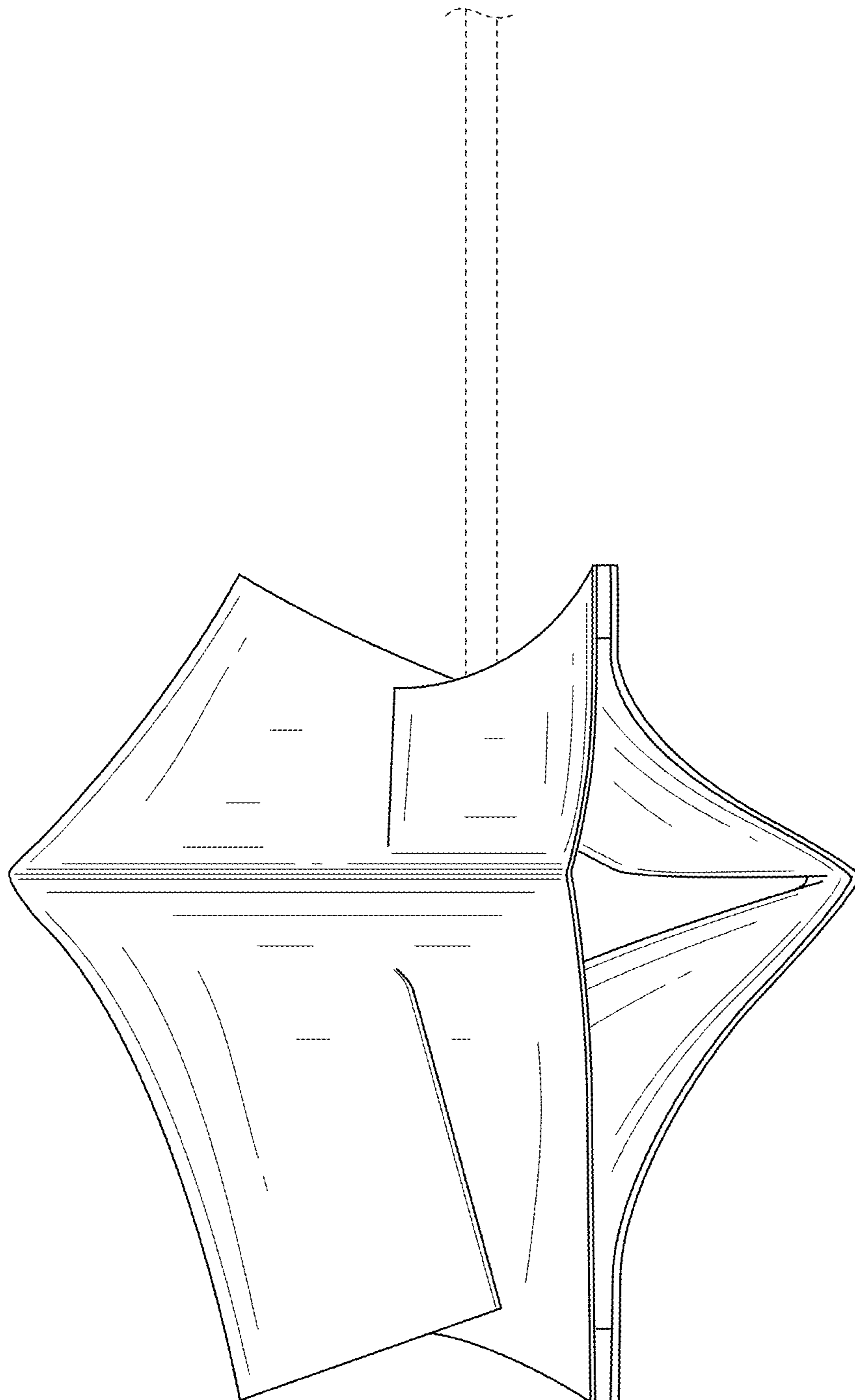


FIG. 4

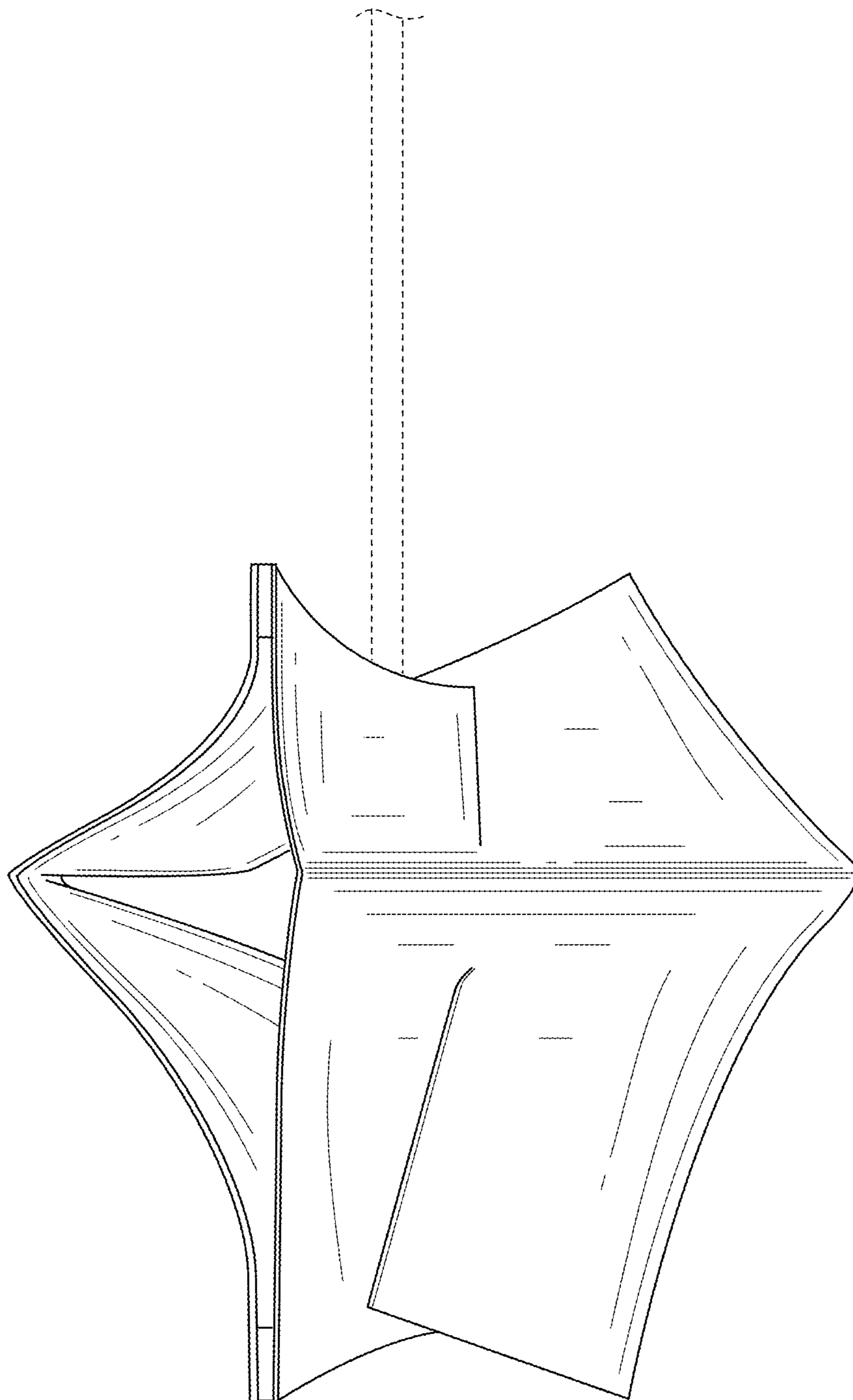


FIG. 5

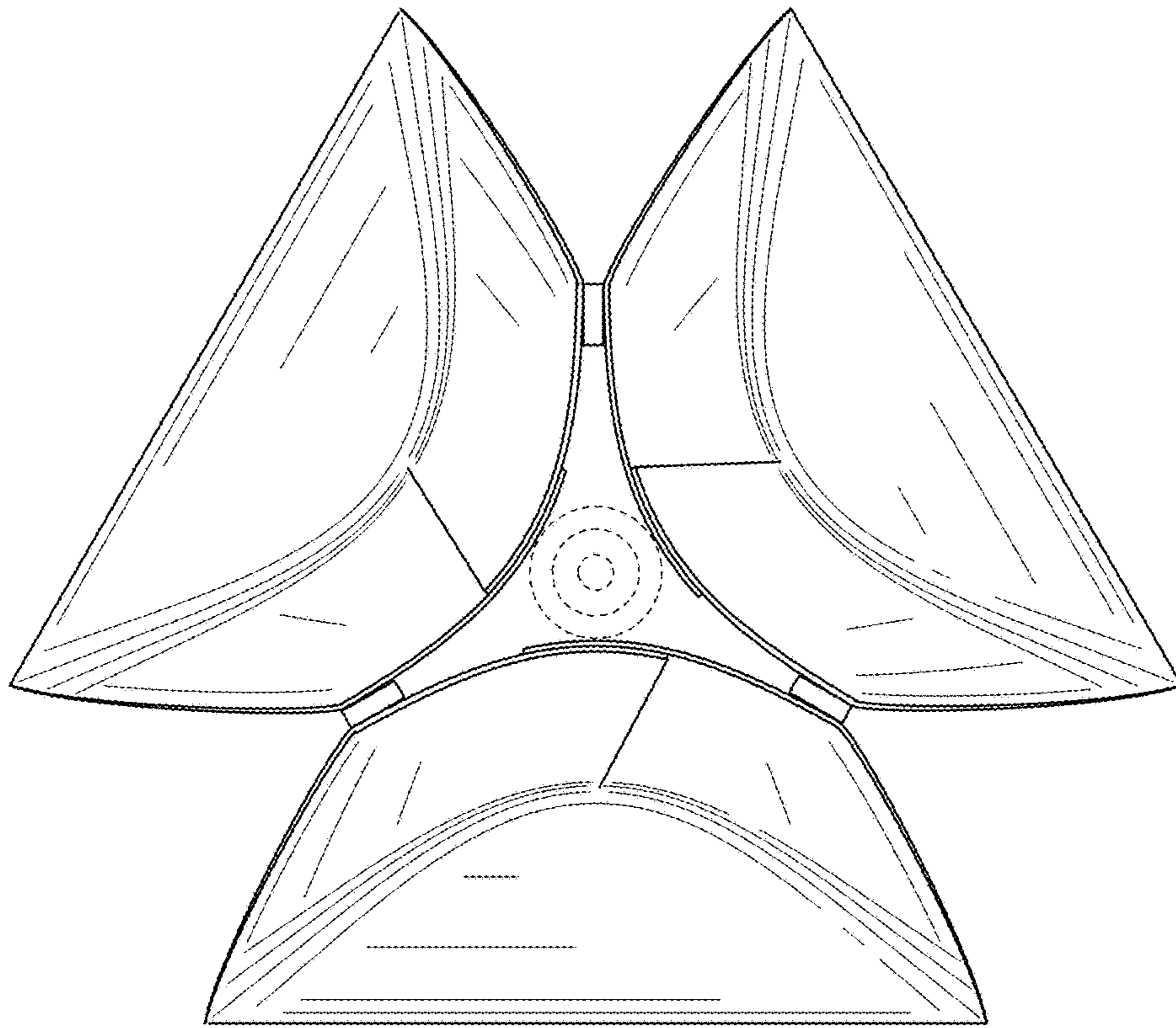


FIG. 6

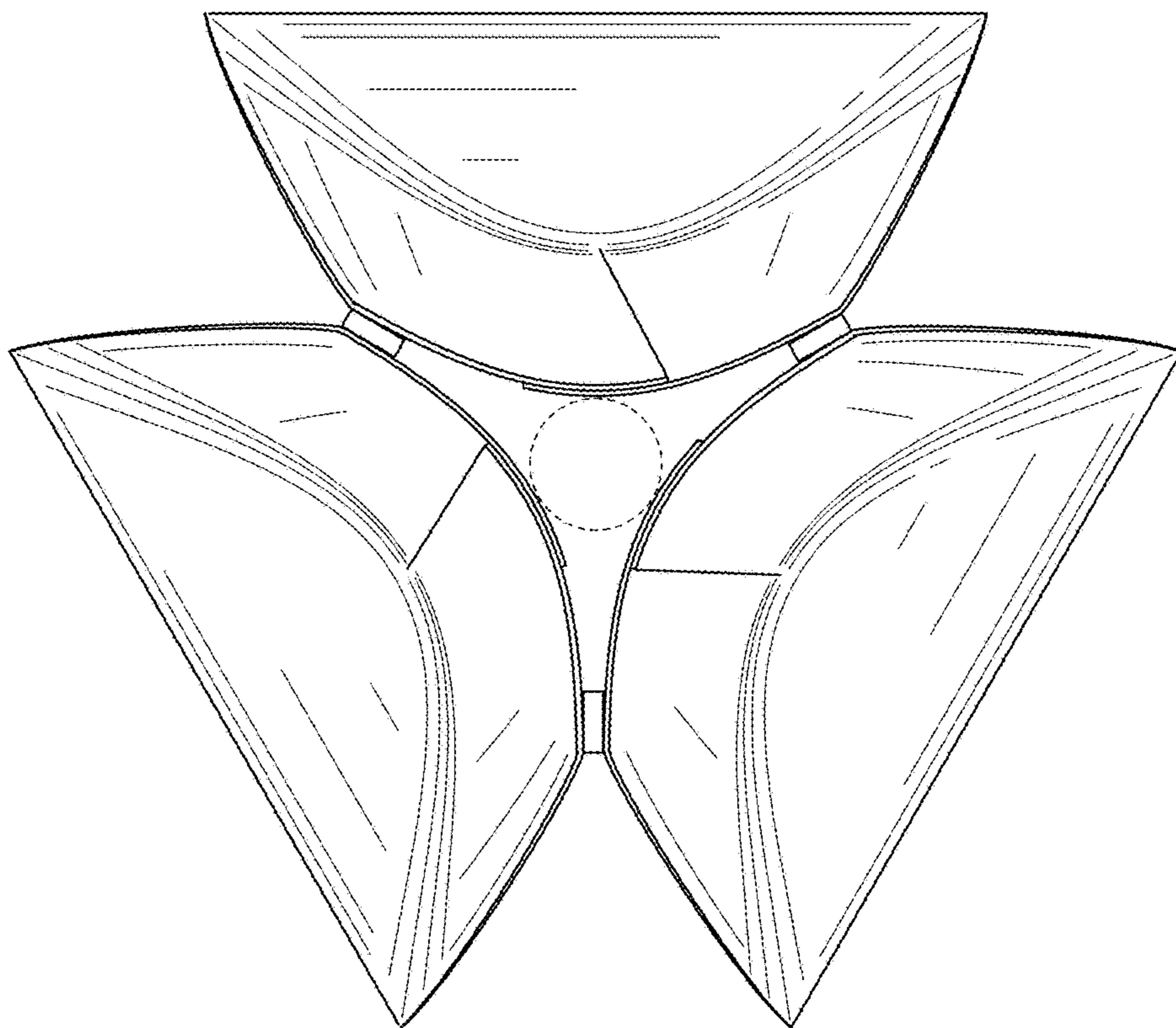


FIG. 7

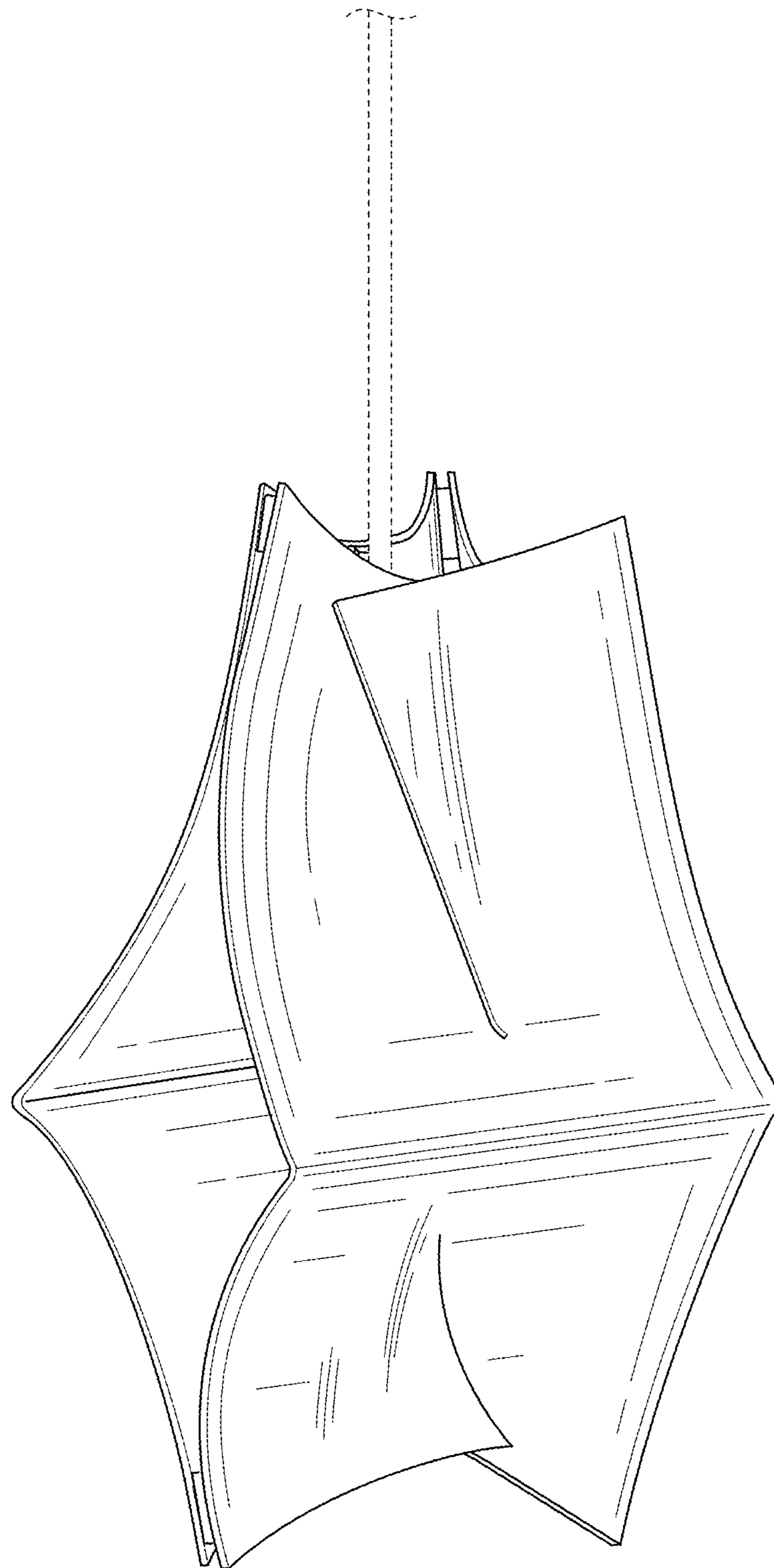


FIG. 8

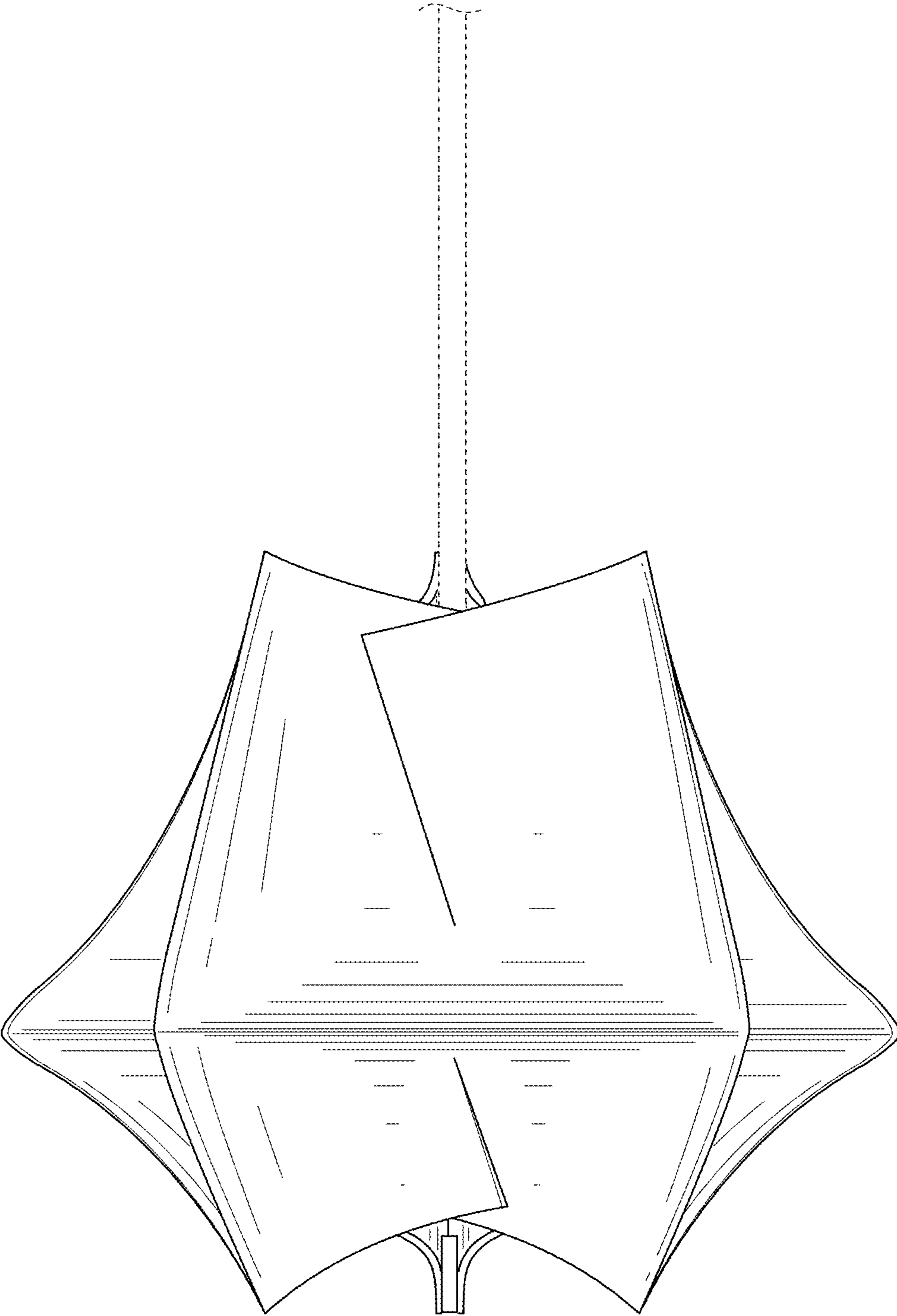


FIG. 9

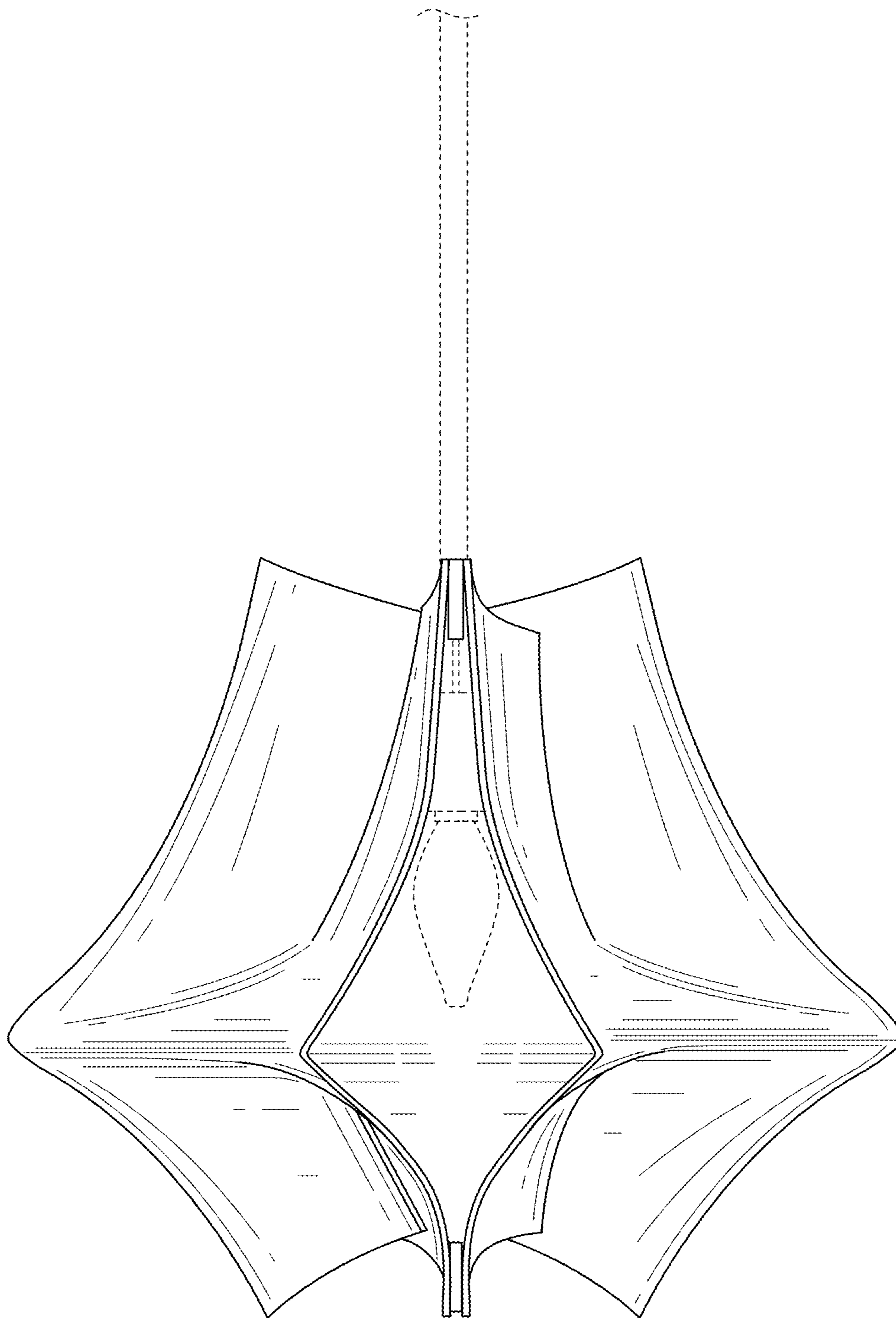


FIG. 10

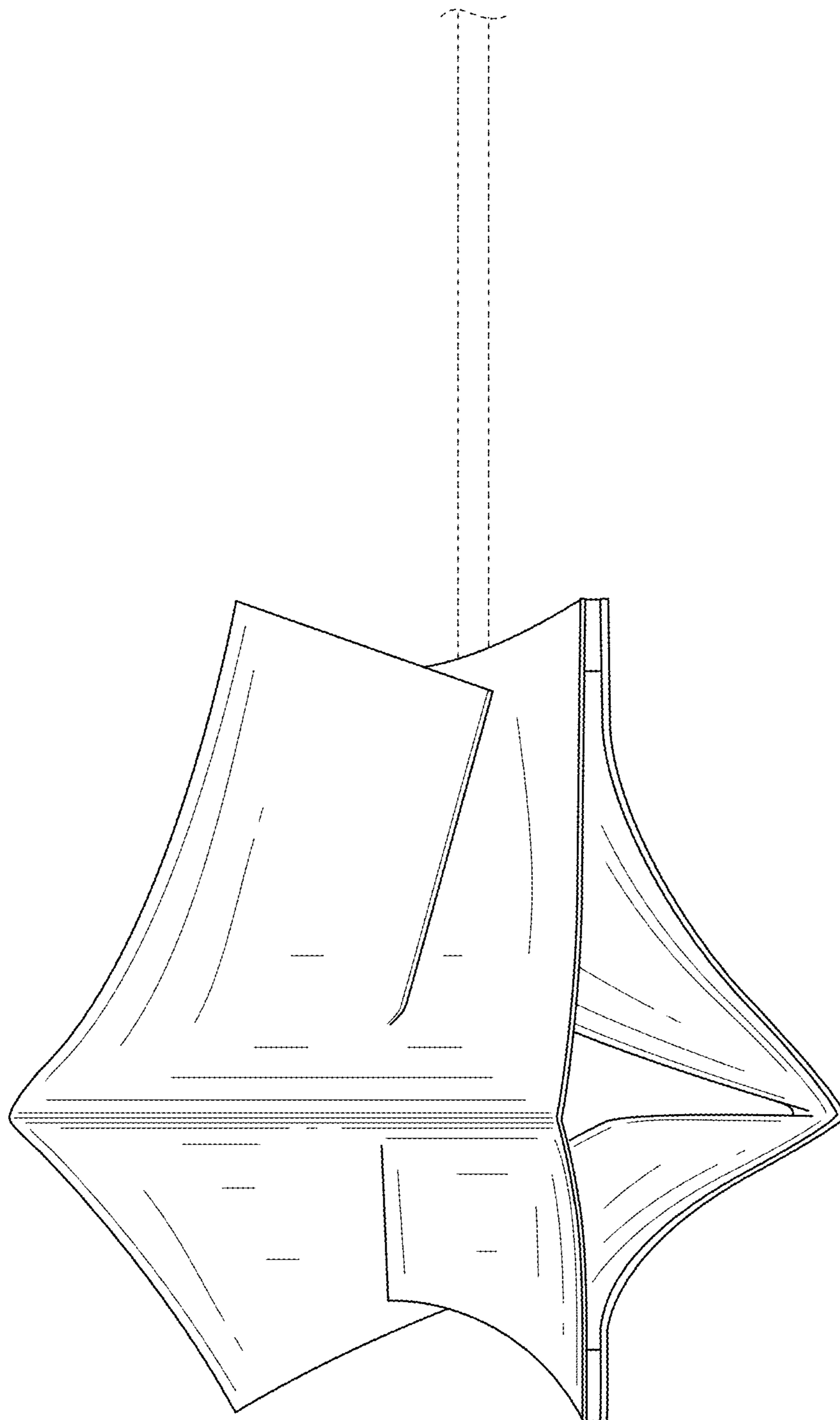


FIG. 11

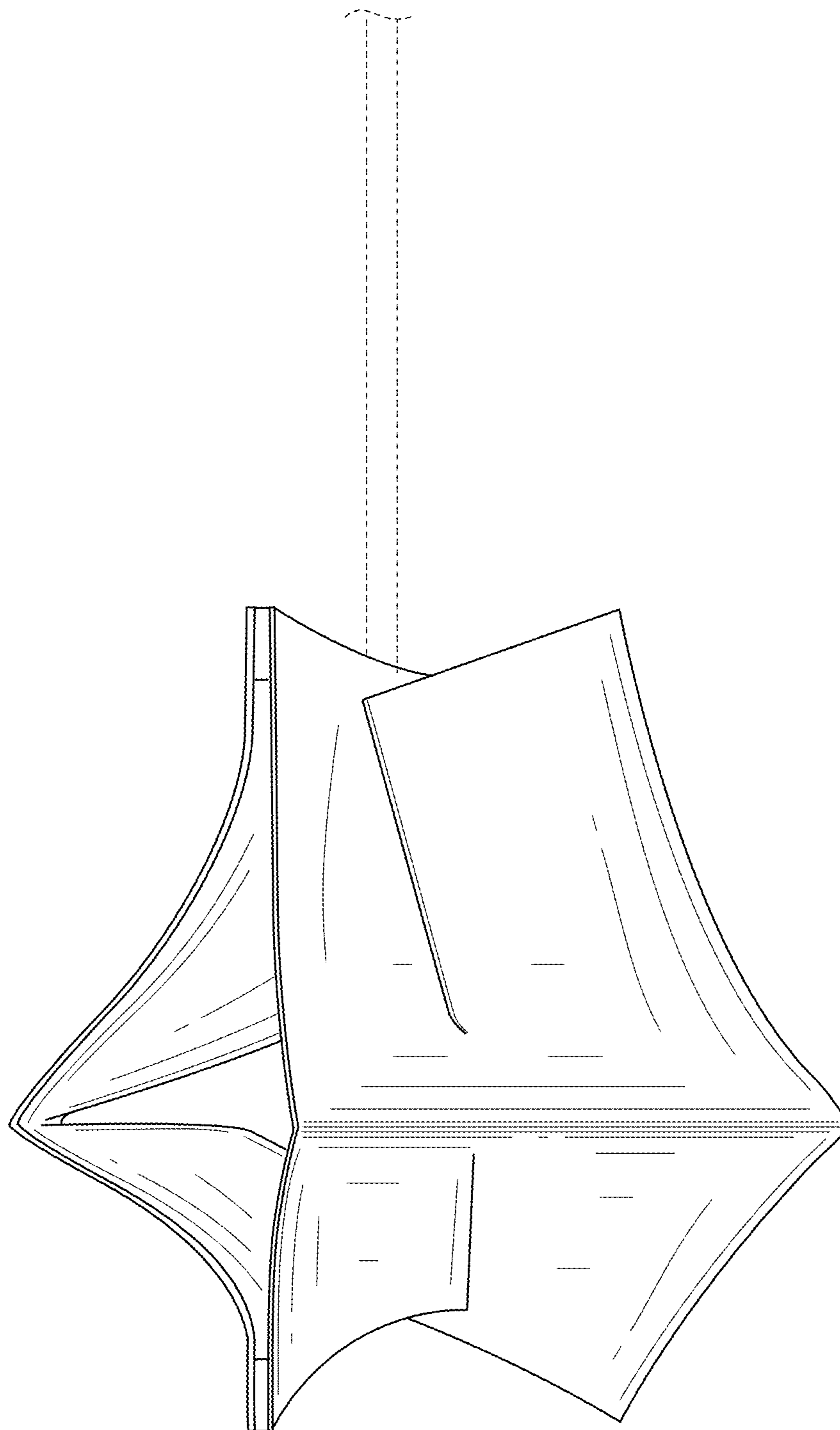


FIG. 12

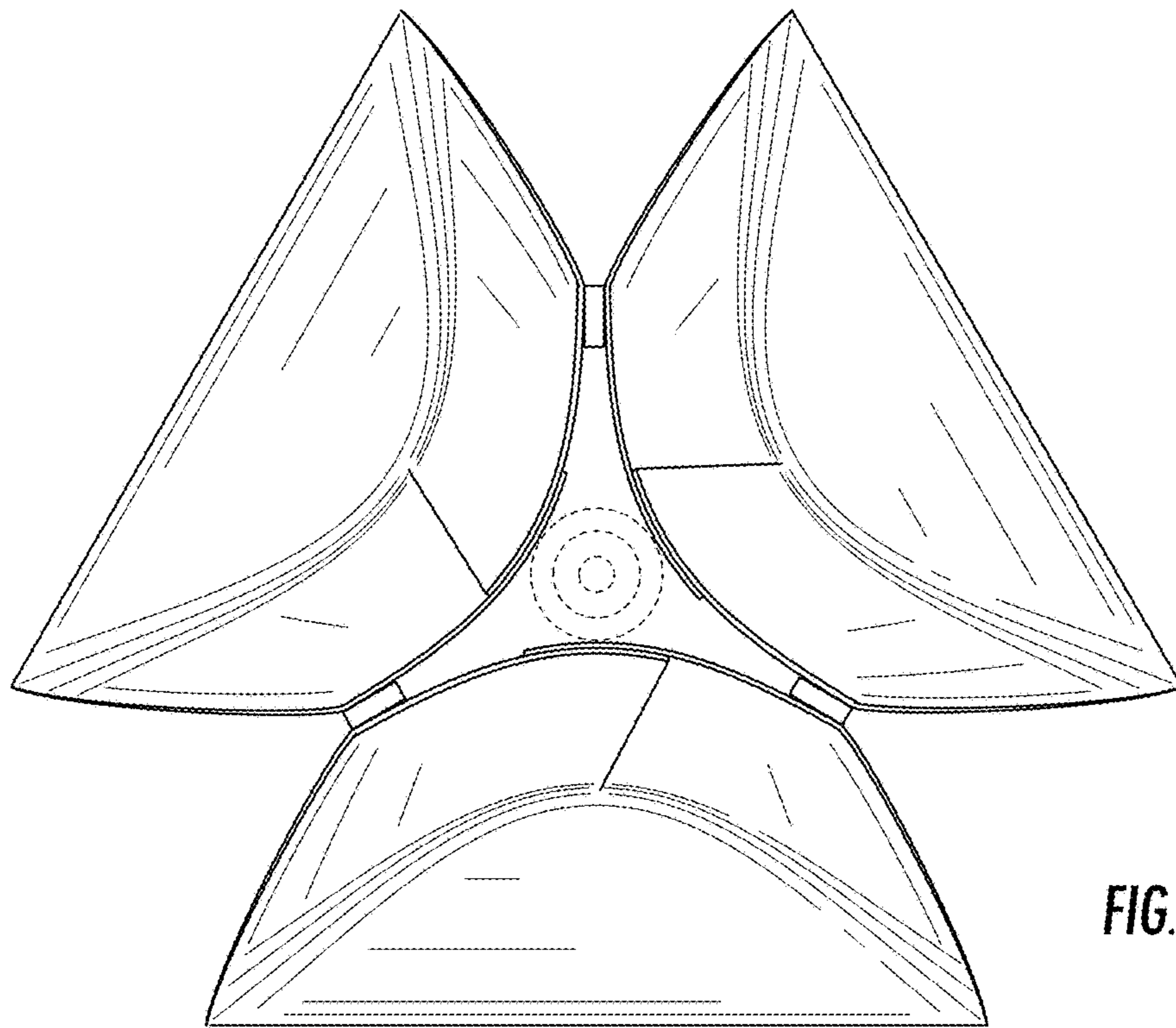


FIG. 13

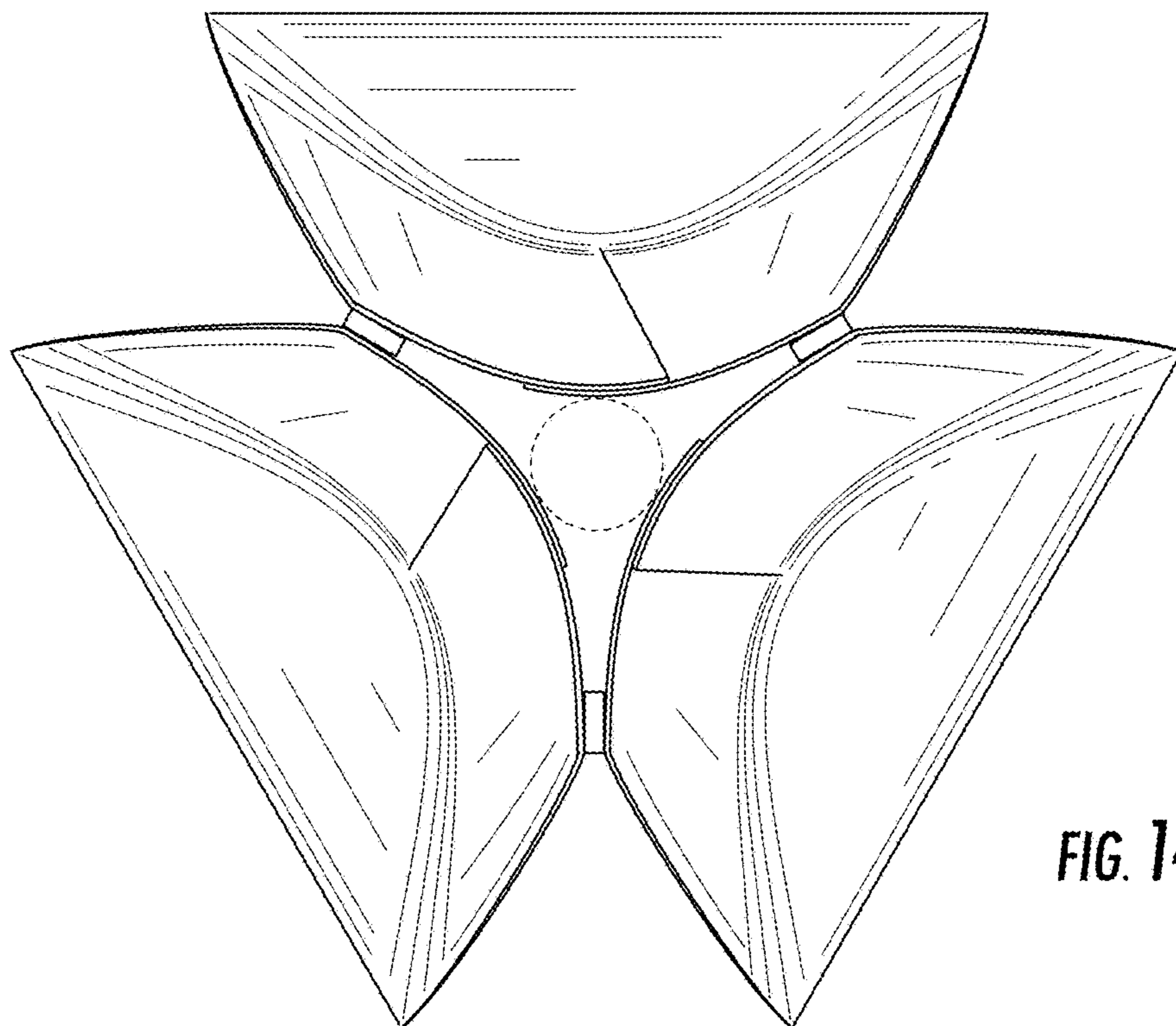


FIG. 14