



US00D818182S

(12) **United States Design Patent** (10) **Patent No.:** **US D818,182 S**
Logothetis (45) **Date of Patent:** **** May 15, 2018**

(54) **ROTARY APERTURE**

(71) Applicant: **Richard Logothetis**, Sugar Loaf, NY (US)

(72) Inventor: **Richard Logothetis**, Sugar Loaf, NY (US)

(**) Term: **15 Years**

(21) Appl. No.: **29/543,020**

(22) Filed: **Oct. 20, 2015**

(51) **LOC (11) Cl.** **26-99**

(52) **U.S. Cl.**
USPC **D26/113**

(58) **Field of Classification Search**
USPC D8/16, 17, 18, 33, 40, 42, 43, 88, 300, D8/307, 312, 313, 321, 338, 400, 499; D26/24, 26, 28, 72, 73, 85, 89, 113, 118, D26/120, 122; D25/48.4, 126; D24/135, D24/144, 176, 214, 216, 224, 227, 229; D9/433; D7/691; D3/299; D16/134; D23/235, 238, 241, 247, 259
CPC B67B 7/14; B67B 7/16; B67B 7/44; B67B 7/18; B67B 2007/166; B67B 7/0441; B67B 7/0447; B67B 7/066; B67B 7/0405; B67B 7/0417; B67B 7/162; B67B 7/00; B67B 7/04; B67B 7/0411; B67B 7/0423; B67B 7/06; B67B 7/182; B67B 7/385; A47G 23/0241; B26B 11/00; G10K 3/00; A44C 5/0007; B25F 1/006; B25F 1/00; B25F 1/003; B25F 5/021; B25B 23/1427; Y10T 29/49822; Y10T 24/44564; F21S 8/00; F21V 21/30; F21V 29/00; F21V 17/00; B60Q 1/124; B65D 5/10; B65D 5/00; B65D 85/30; B65D 85/32; A47J 43/28; A61B 18/18

See application file for complete search history.

(56) **References Cited**

U.S. PATENT DOCUMENTS

D31,396 S *	2/1861	Morris	D24/135
D54,349 S *	12/1919	Mansen	D26/103
D157,605 S *	3/1950	Krause	38/88
D193,496 S *	8/1962	Jacoff	D7/649
D245,385 S *	8/1977	Ashton	294/179
4,338,654 A	7/1982	Logothetis		
D322,321 S *	12/1991	Sue	D24/214
D330,257 S *	10/1992	Schneider	D24/223

(Continued)

OTHER PUBLICATIONS

PCT/US2016/055270, International Search Report and Written Opinion, dated Dec. 15, 2017, 11 pages—English.

(Continued)

Primary Examiner — Barbara Fox
Assistant Examiner — Kristin E Reed
(74) *Attorney, Agent, or Firm* — Andrew F. Young, Esq.; Lackenbach Siegel, LLP

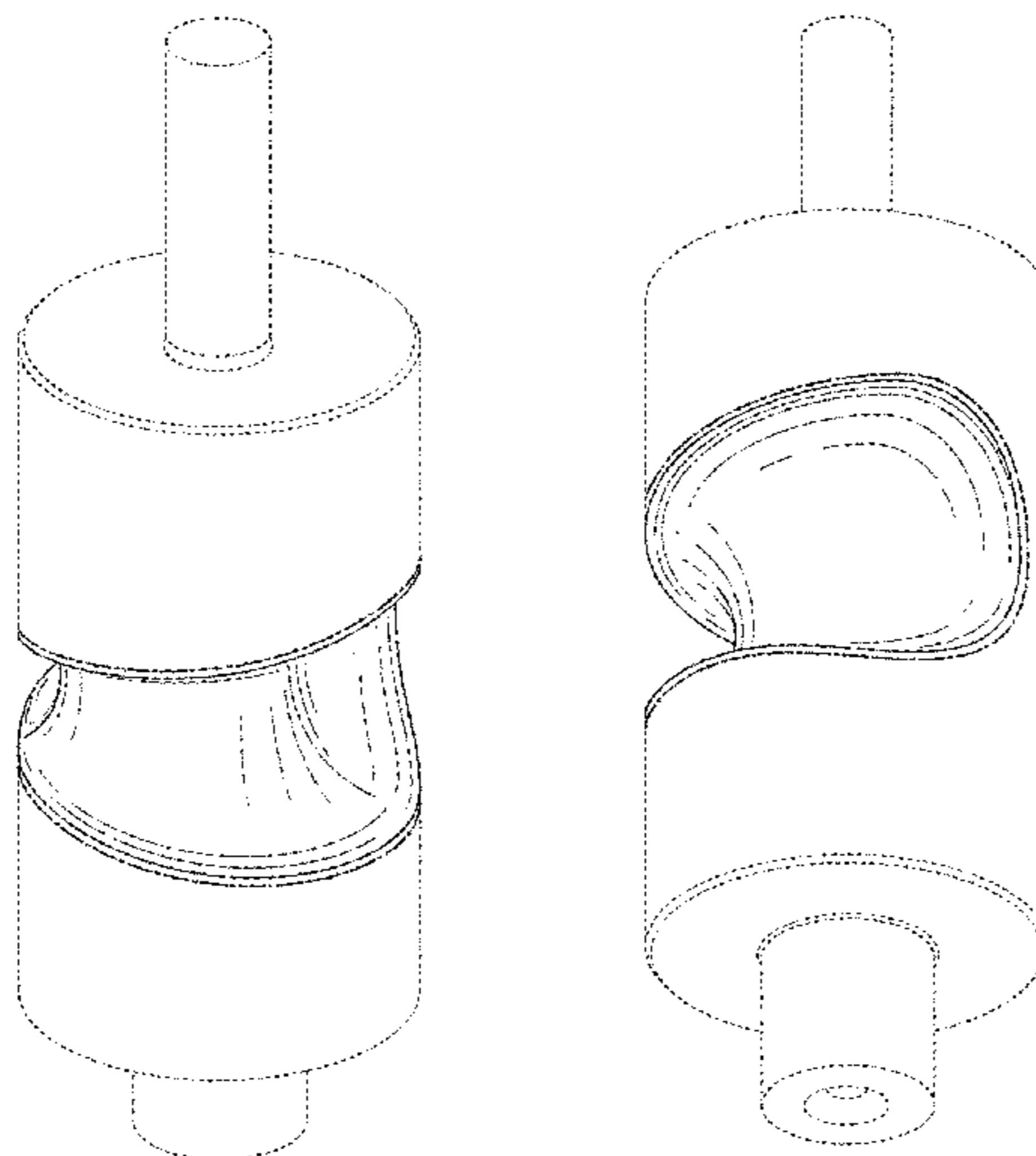
(57) **CLAIM**

The ornamental design for a rotary aperture, as shown and described.

DESCRIPTION

FIG. 1 is a front top perspective view of the rotary aperture. FIG. 2 is a rear bottom perspective view thereof. FIG. 3 is a right side elevation view thereof. FIG. 4 is a rear side elevation view thereof. FIG. 5 is a front side elevation view thereof. FIG. 6 is a left side elevation view thereof. FIG. 7 is a top plan view thereof; and, FIG. 8 is a bottom plan view thereof. The dot-dot-dash broken lines denote the boundary of the claimed design. The dot-dot-dot broken lines illustrate environmental features and form no part of the claimed design. The broken lines form no part of the claimed design.

1 Claim, 7 Drawing Sheets



(56)

References Cited

U.S. PATENT DOCUMENTS

D342,319 S * 12/1993 Cheng D24/200
D380,046 S * 6/1997 Domanowski D19/903
D403,100 S * 12/1998 Bartasevich D26/113
D423,538 S * 4/2000 Dillon D16/134
D494,270 S * 8/2004 Reschke D24/133
D495,051 S * 8/2004 Reschke D24/133
D586,941 S * 2/2009 Itakura D26/113
D609,339 S * 2/2010 Myers A61M 37/0076
D24/133
D617,908 S * 6/2010 Nuenke D24/214
D633,207 S * 2/2011 Murner D24/128
D638,934 S * 5/2011 Kimmel D24/130
D723,685 S * 3/2015 Myers A61M 37/0076
D24/133
2007/0286597 A1 12/2007 Hopper
2008/0062546 A1 3/2008 Davis et al.
2012/0265232 A1* 10/2012 Surbone A61M 37/0076
606/186
2014/0125865 A1 5/2014 Brest
2015/0037024 A1 2/2015 Zhou et al.

OTHER PUBLICATIONS

Aperture Assembly, OG vol. 116, part 2, p. 1846, rotary aperture lighting, <http://www.uslasercorp.com/catalog/apertures.html>, 1 page.

* cited by examiner

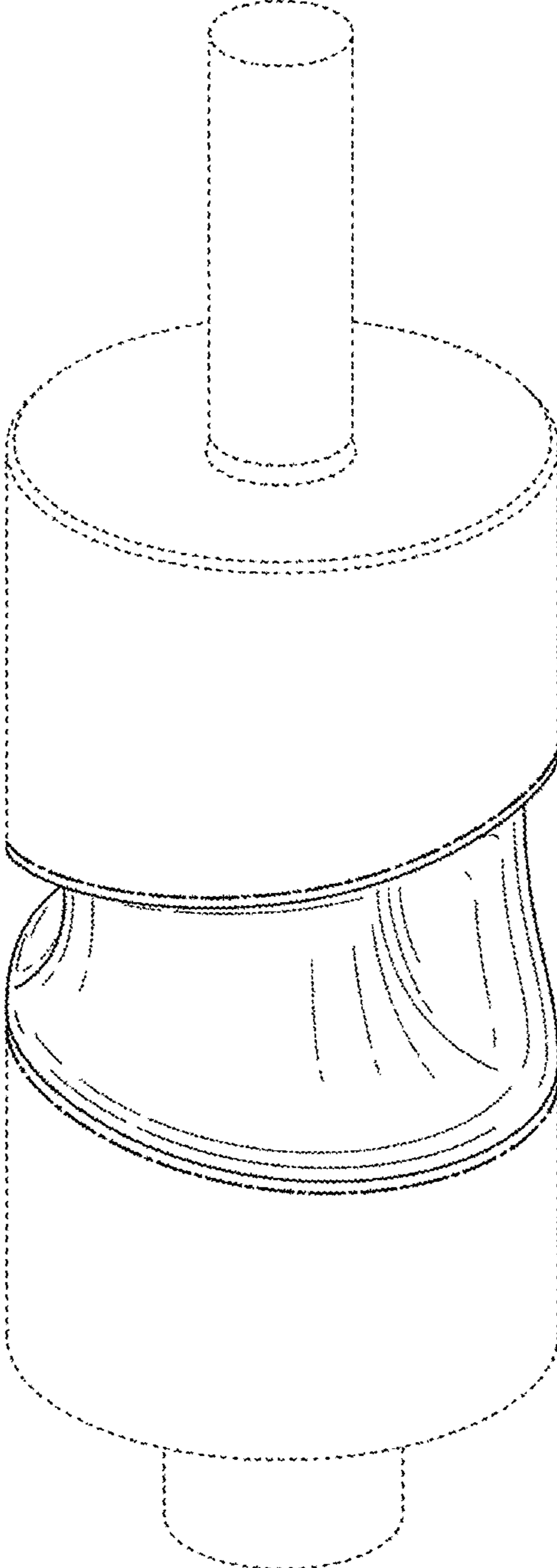


FIG. 1

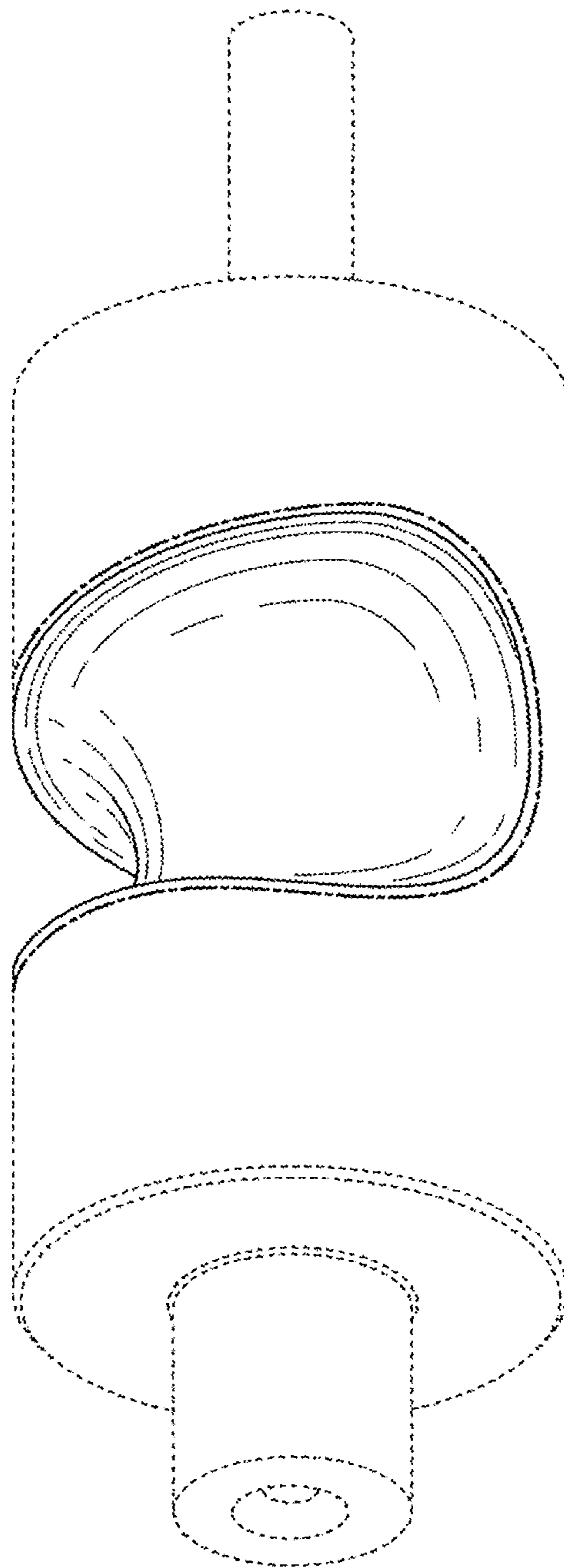


FIG. 2

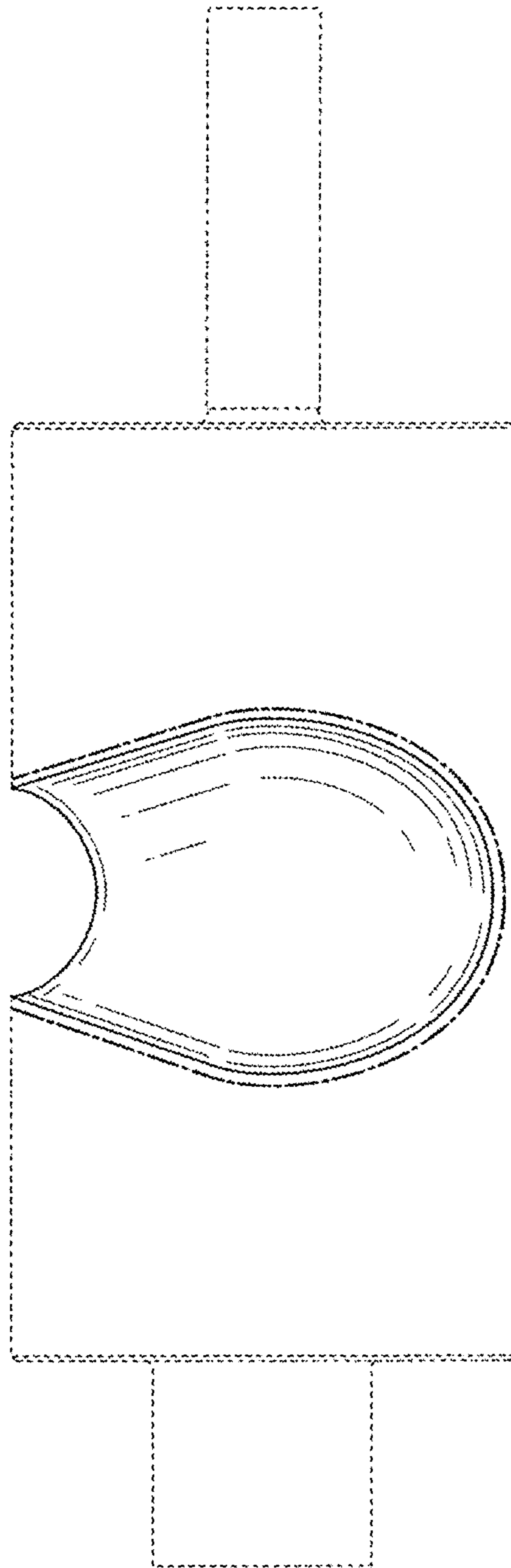


FIG. 3

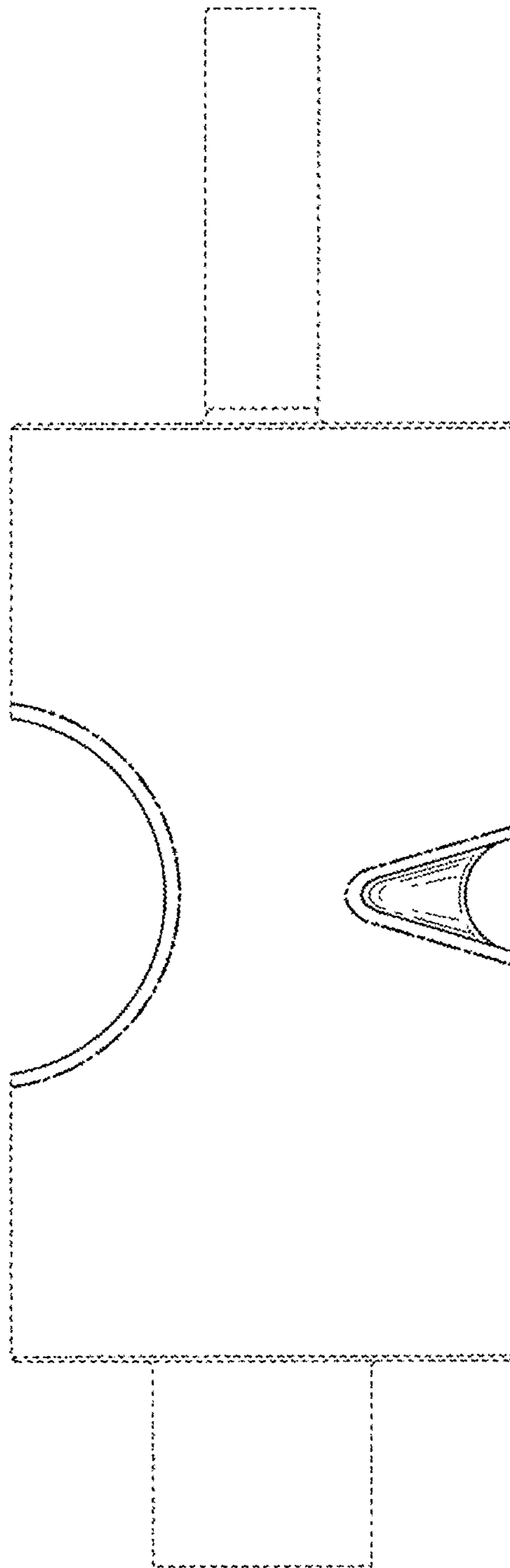


FIG. 4

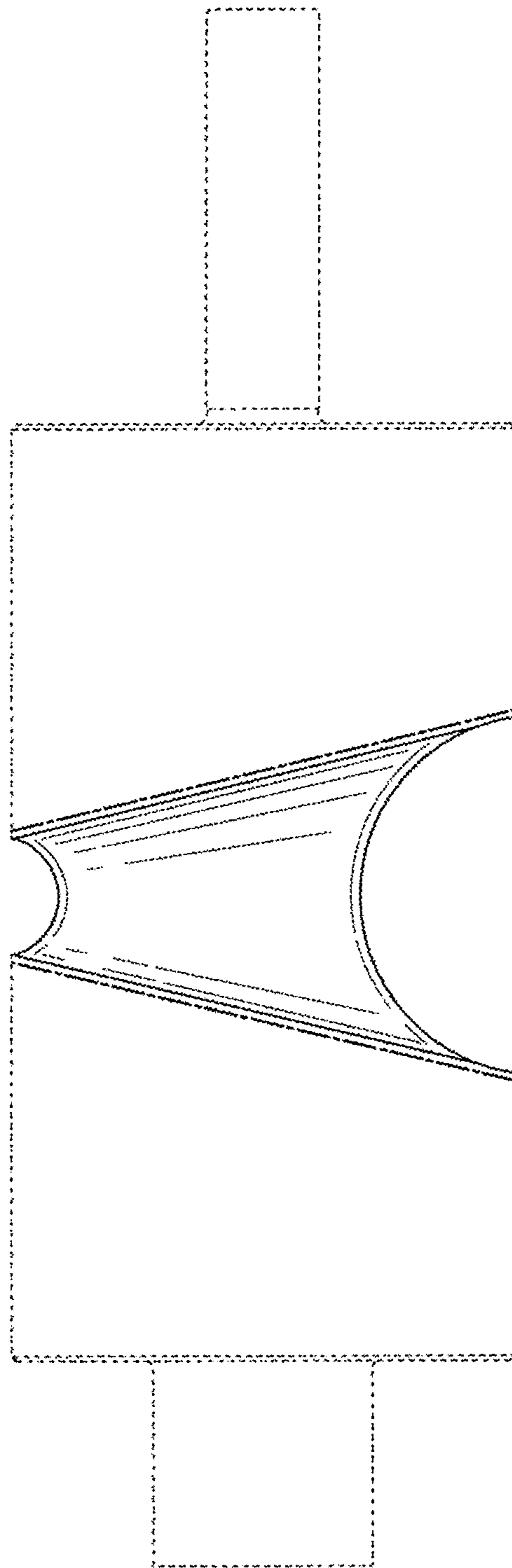


FIG. 5

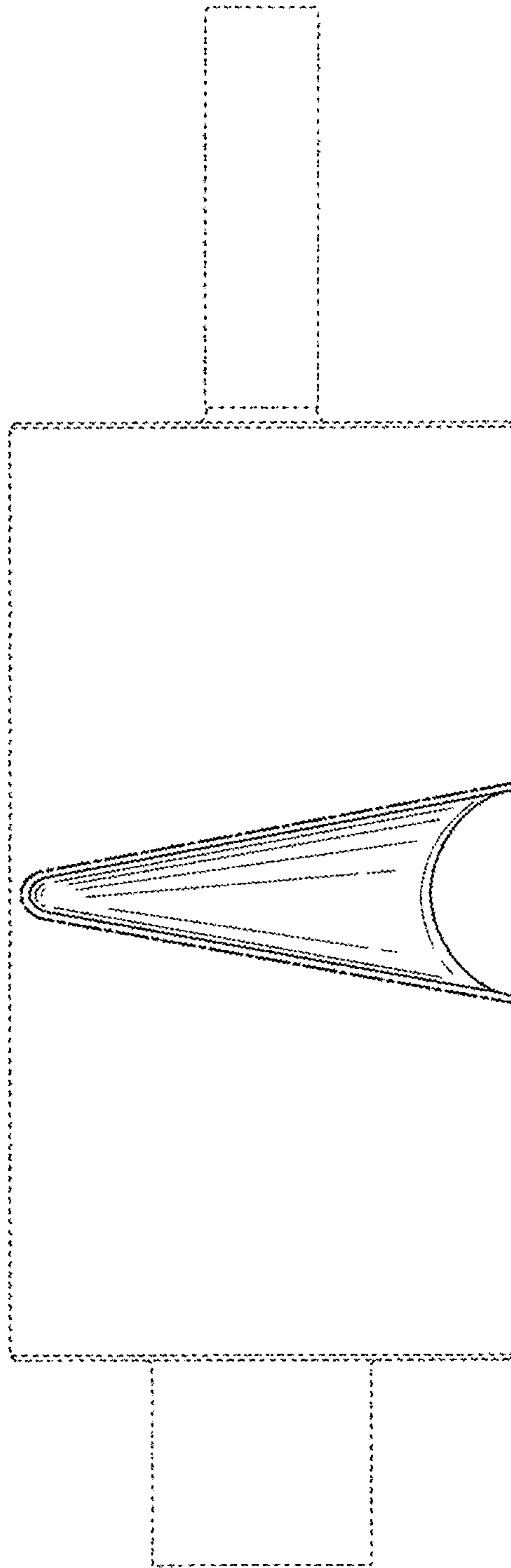


FIG. 6

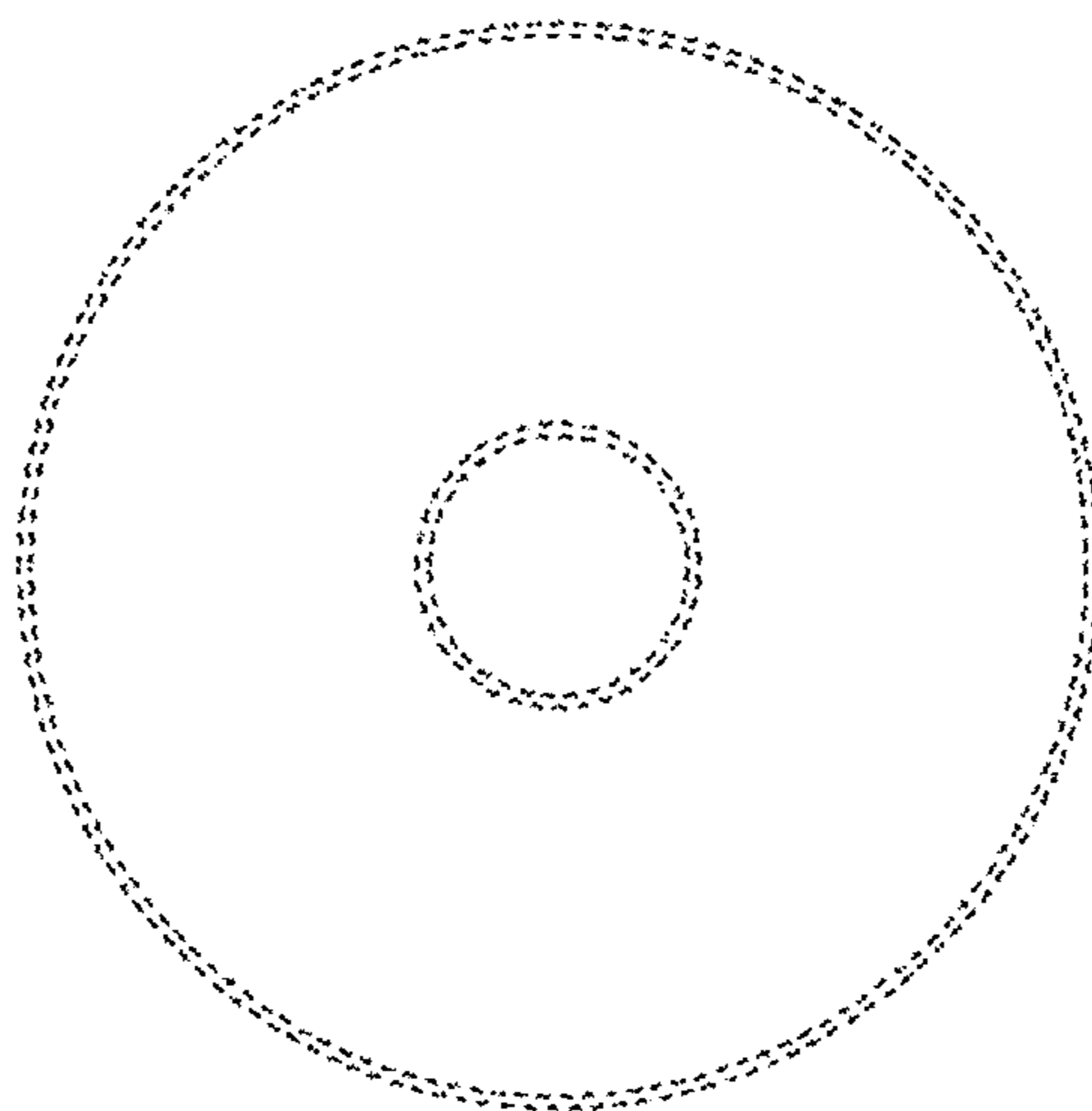


FIG. 7

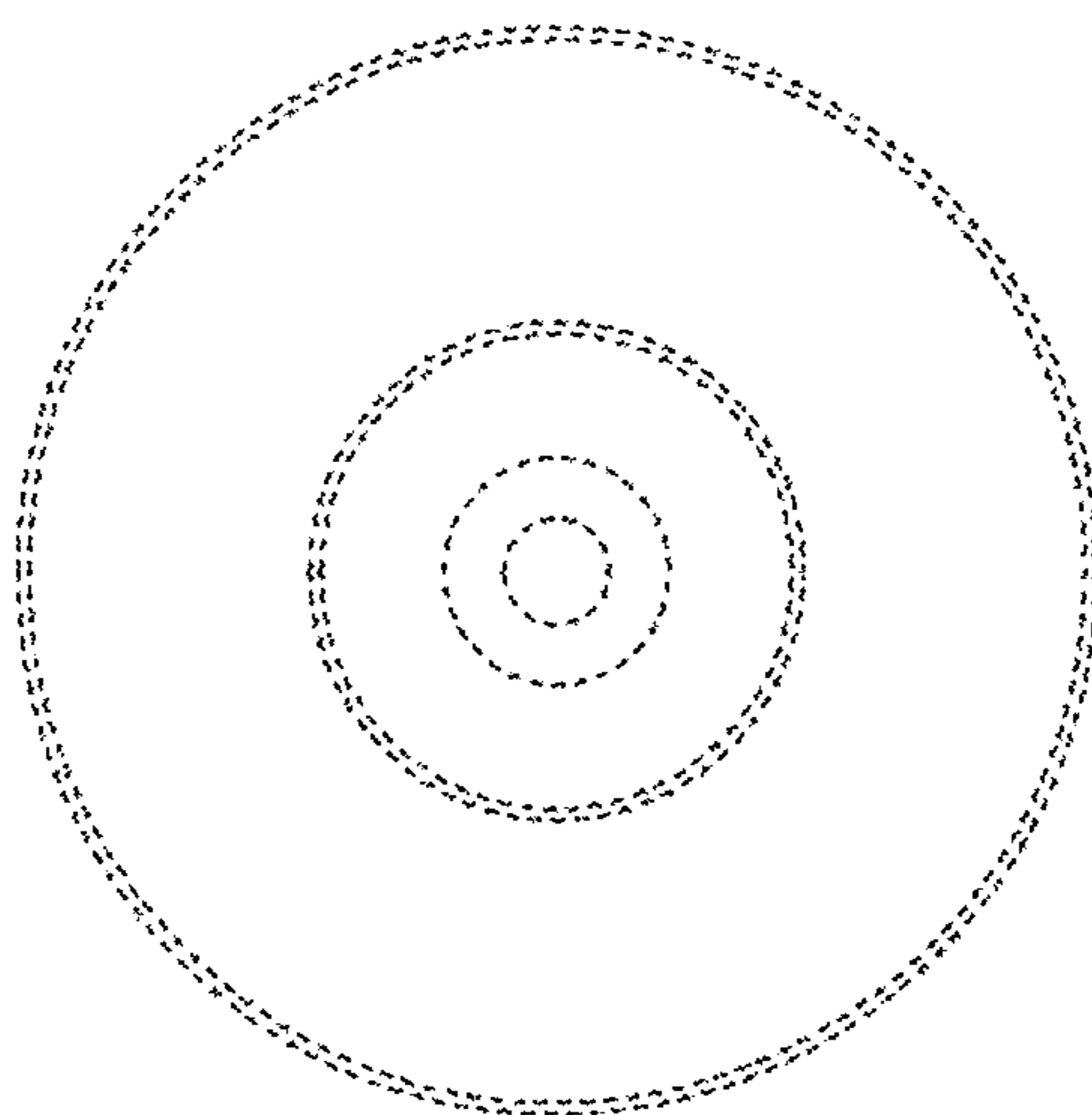


FIG. 8