



US00D818177S

(12) **United States Design Patent** (10) **Patent No.:** **US D818,177 S**
Amato et al. (45) **Date of Patent:** **** May 15, 2018**

(54) **LIGHTING FIXTURE**

(71) Applicant: **The Urban Electric Company**, North Charleston, SC (US)

(72) Inventors: **Michael Amato**, Johns Island, SC (US); **David Dawson**, Charleston, SC (US); **Jonathan Charpia**, Summerville, SC (US); **Christopher Roof**, Charleston, SC (US); **Joeangel Casanova**, North Charleston, SC (US); **Courtney Salsbury**, Mount Pleasant, SC (US); **Brianna Magagnoli**, Charleston, SC (US)

(73) Assignee: **The Urban Electric Company**, North Charleston, SC (US)

(**) Term: **15 Years**

(21) Appl. No.: **29/592,345**

(22) Filed: **Jan. 30, 2017**

(51) **LOC (11) Cl.** **26-05**

(52) **U.S. Cl.**
USPC **D26/87**

(58) **Field of Classification Search**
USPC D26/72, 80-89, 92, 61, 62
CPC .. F21S 8/033; F21S 8/036; F21S 8/038; F21S 9/037; F21W 2121/004; F21W 2131/107
See application file for complete search history.

(56) **References Cited**

U.S. PATENT DOCUMENTS

D42,961 S * 9/1912 D'Olier D26/128
D83,058 S * 1/1931 Gridley D26/24
2,806,941 A * 9/1957 Graziani F21S 8/033
362/432
D354,824 S * 1/1995 Lewis D26/80
D488,246 S * 4/2004 Lee D26/63

D643,564 S * 8/2011 Gilad D26/87
D643,565 S * 8/2011 Gilad D26/87
D672,897 S * 12/2012 Guercio D26/62
D687,175 S * 7/2013 Levine D26/43
D753,868 S * 4/2016 Smith D26/118

OTHER PUBLICATIONS

Swing Arm Wall Lamp, thecssblog.com, (c) 2016, site visited Jan. 16, 2018, available online at <http://www.thecssblog.com/1000-ideas-about-swing-arm-wall-lamps-on-pinterest-wall-lamps/> (Year: 2016).*

Swing Arm Wall Lamp, Destination Lighting, Internet Archive date—Mar. 15, 2015, site visited Jan. 16, 2018, available online at <http://www.destinationlighting.com/item/swing-arm-wall-lamp/323472> (Year: 2015).*

* cited by examiner

Primary Examiner — Cathron C Brooks

(74) *Attorney, Agent, or Firm* — Jeffrey T. Stover; Haynsworth Sinkler Boyd, P.A.

(57) **CLAIM**

The ornamental design for a lighting fixture, as shown and described.

DESCRIPTION

FIG. 1 is a top perspective view of a lighting fixture showing the new design;

FIG. 2 is a front elevational view thereof;

FIG. 3 is a back elevational view thereof.

FIG. 4 is a right side elevational view thereof;

FIG. 5 is a left side elevational view thereof;

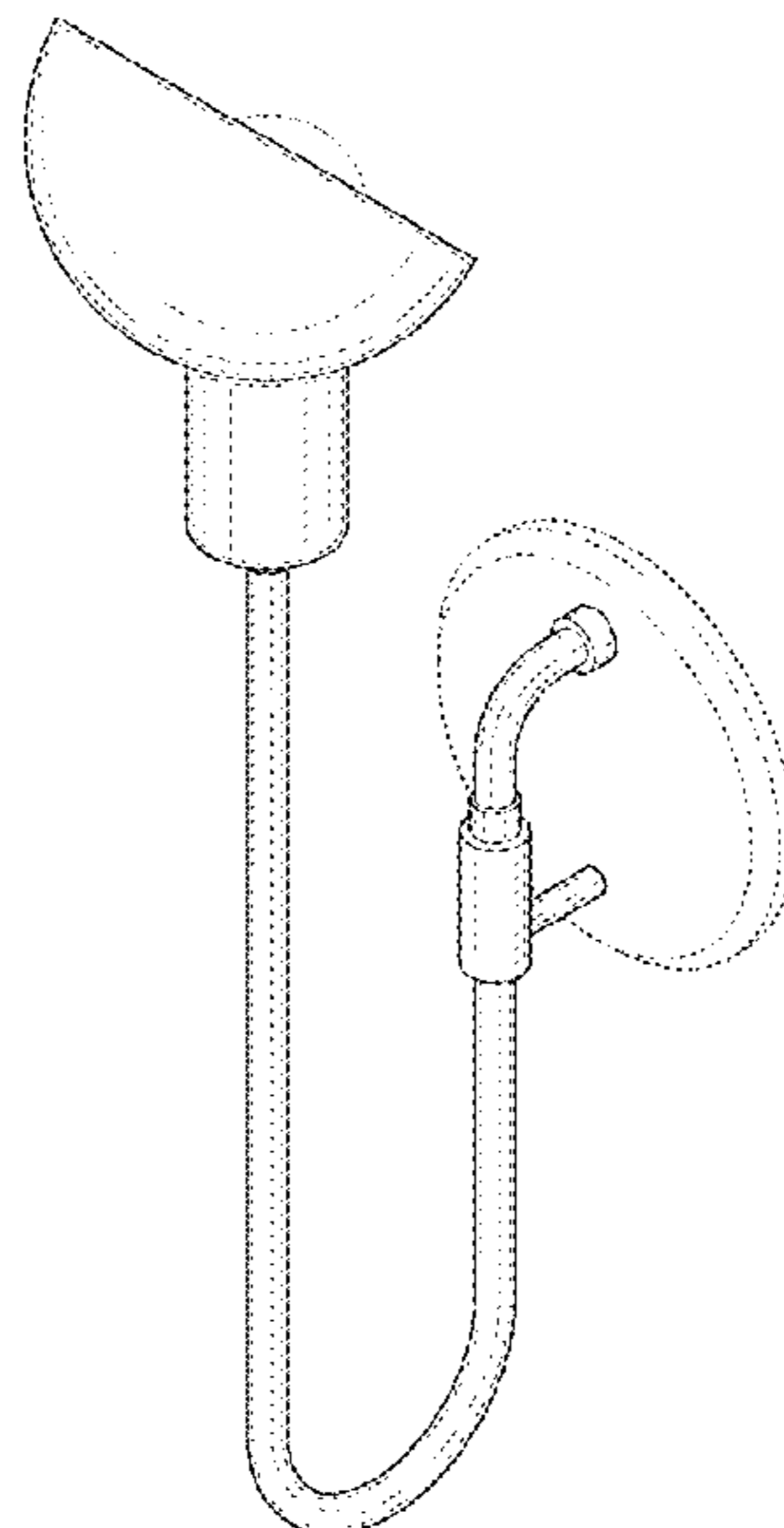
FIG. 6 is a top plan view thereof;

FIG. 7 is a bottom plan view thereof; and,

FIG. 8 is a top-rear perspective view thereof.

The broken line disclosure in the views represents environmental structure which forms no part of the claimed design.

1 Claim, 8 Drawing Sheets



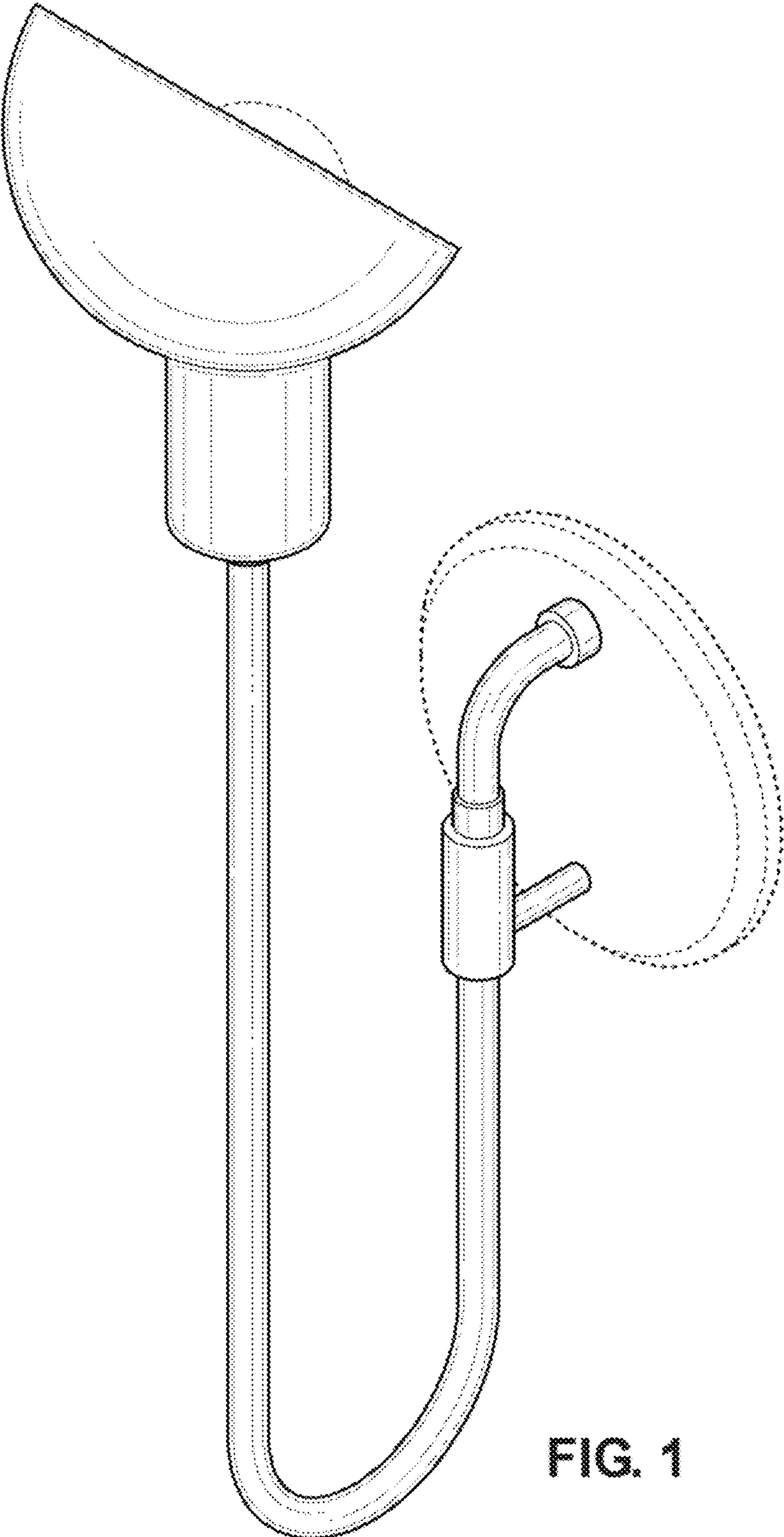


FIG. 1

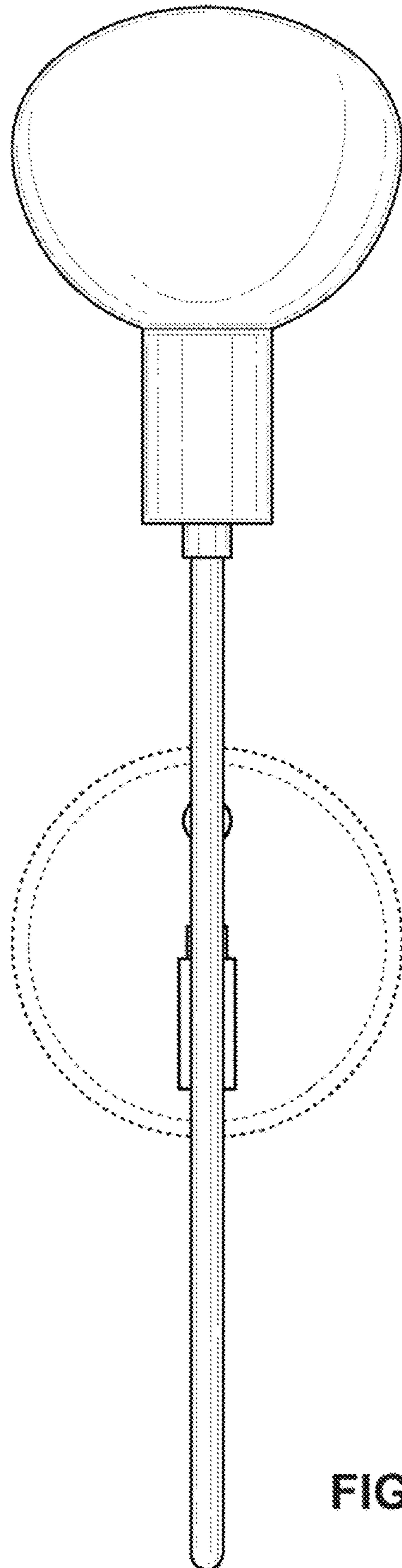


FIG. 2

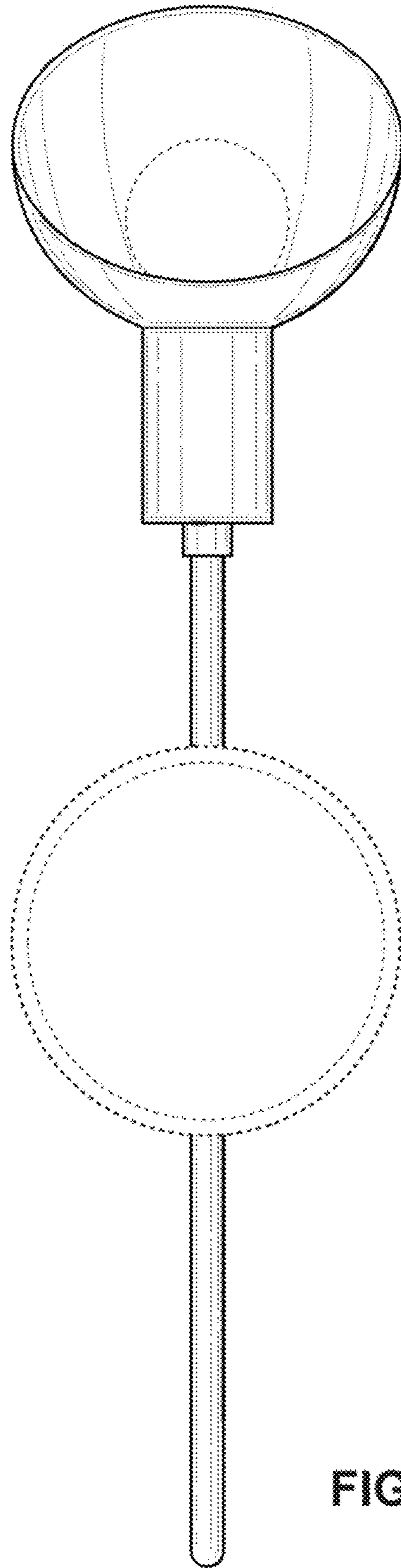


FIG. 3

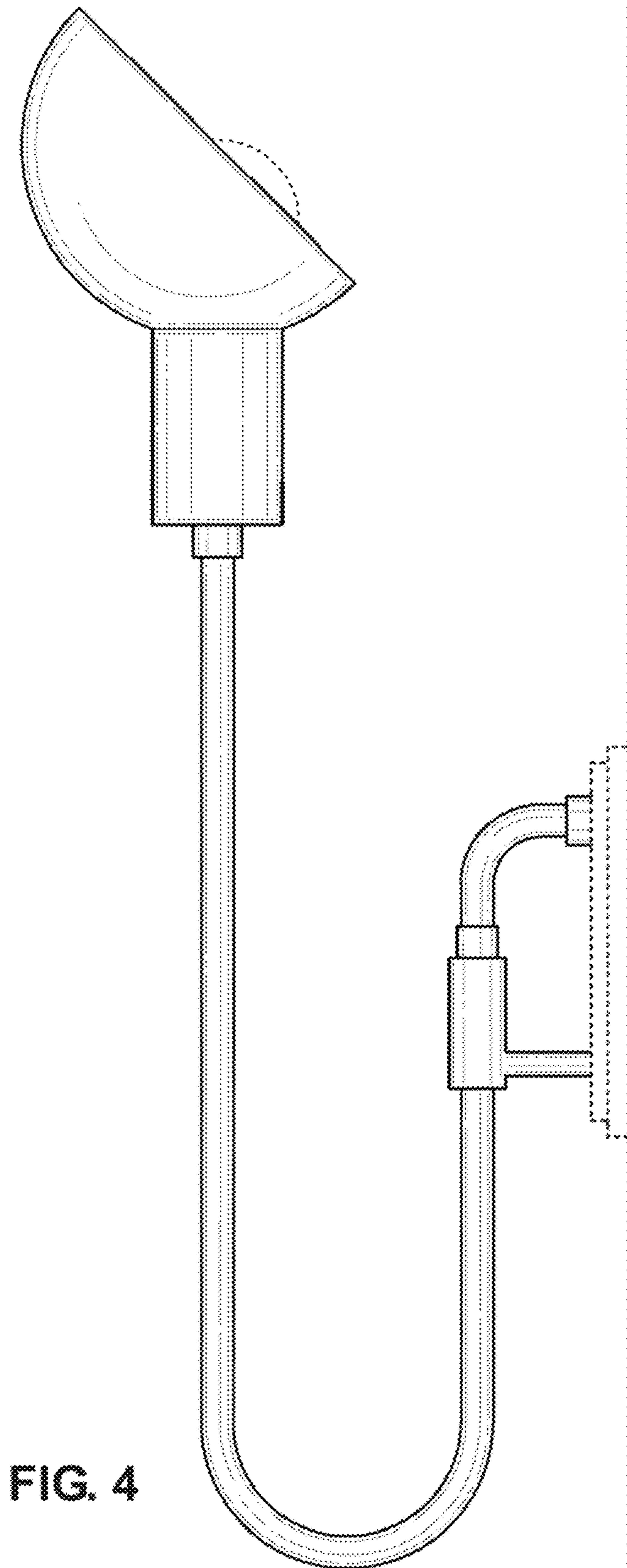


FIG. 4

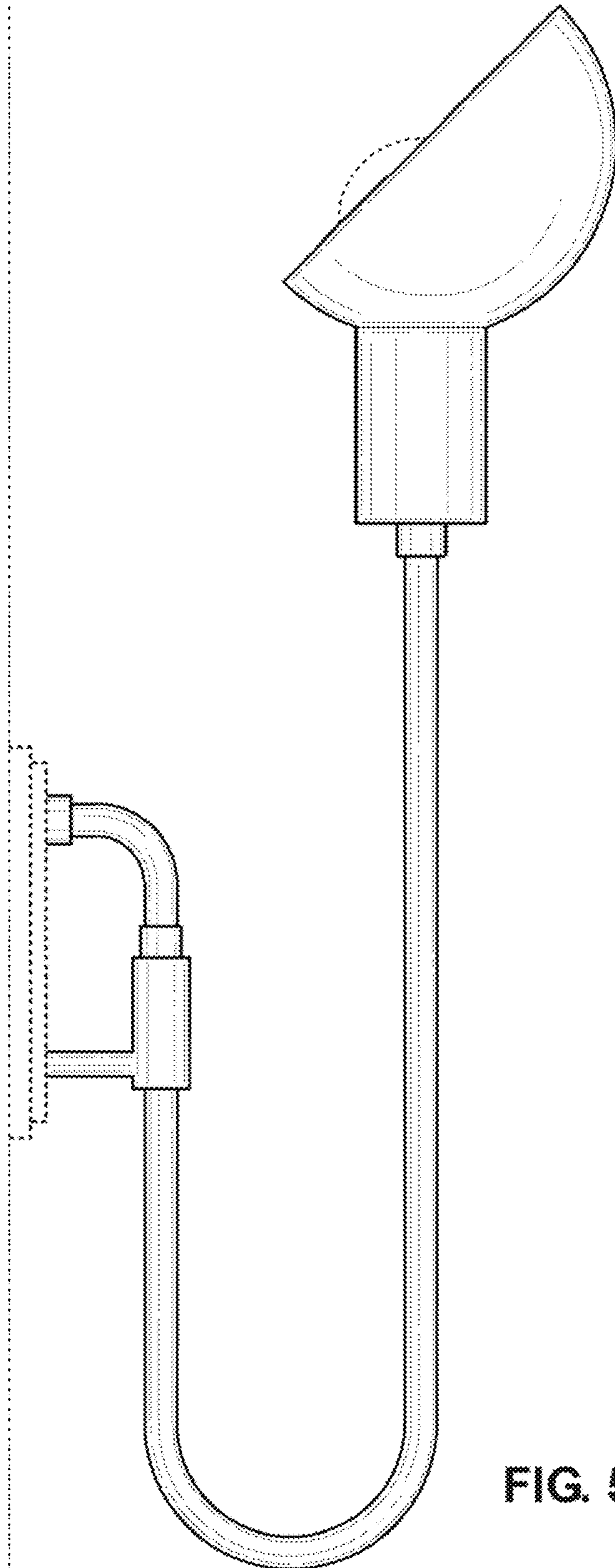


FIG. 5

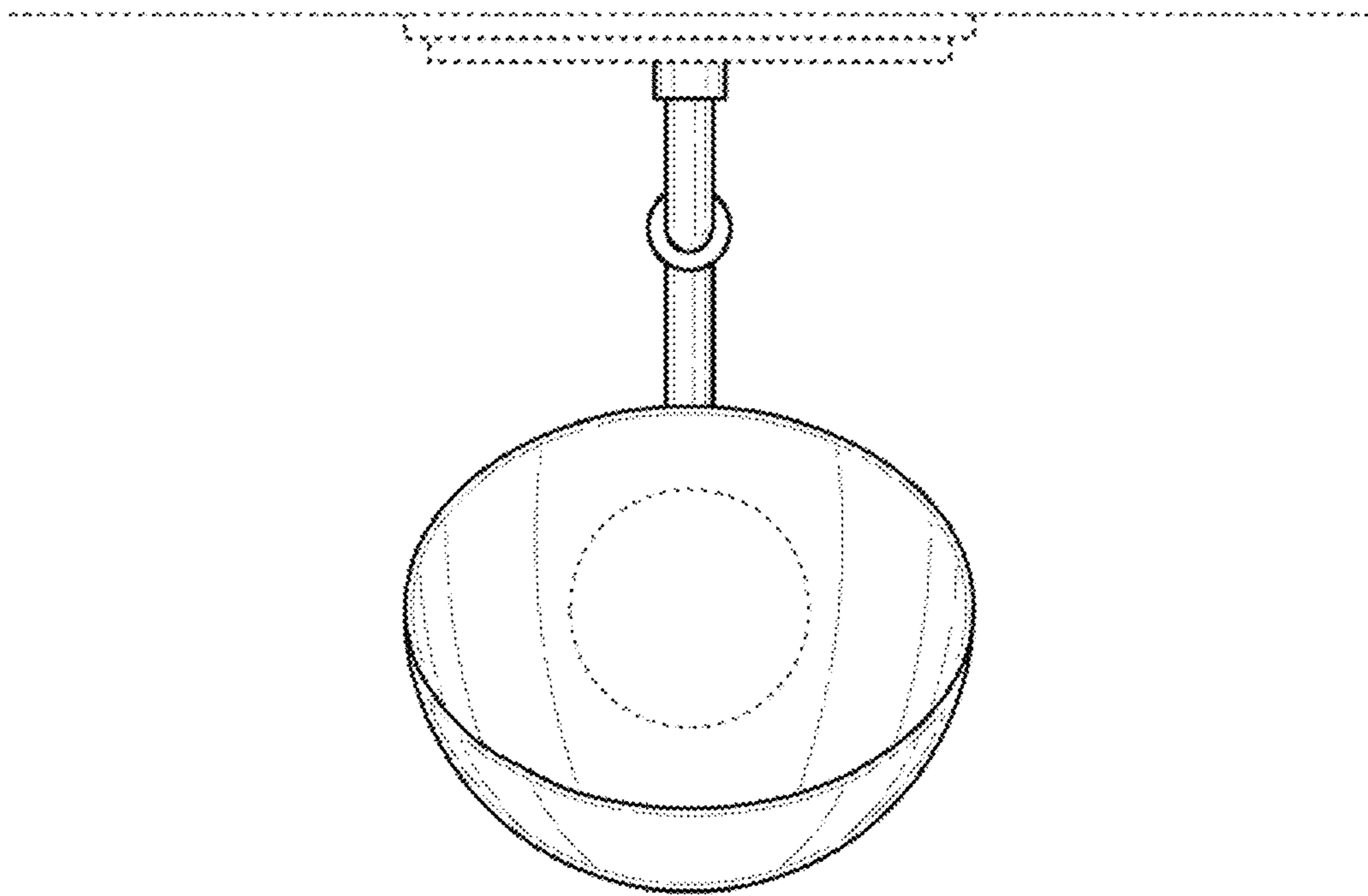


FIG. 6

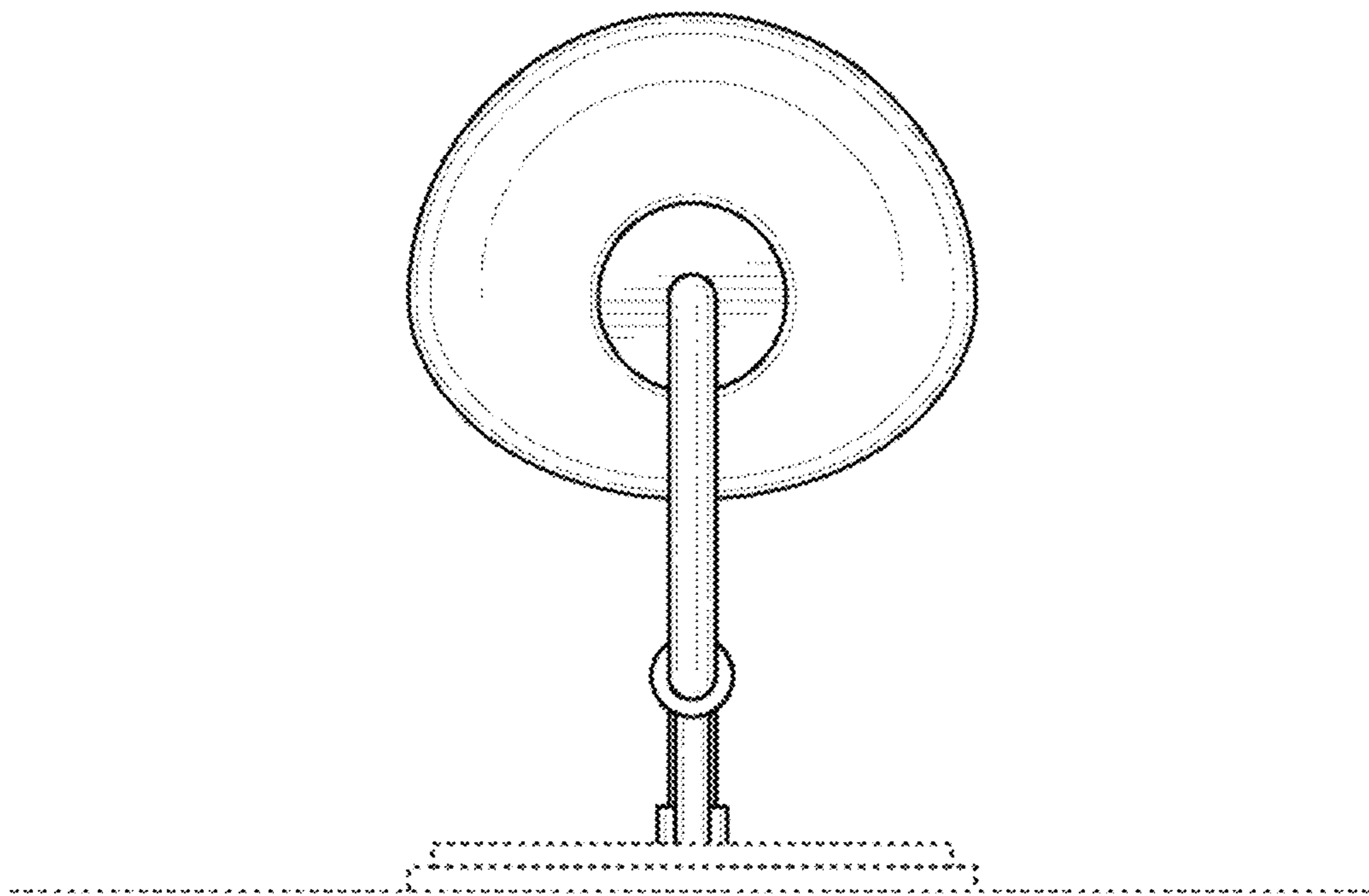


FIG. 7

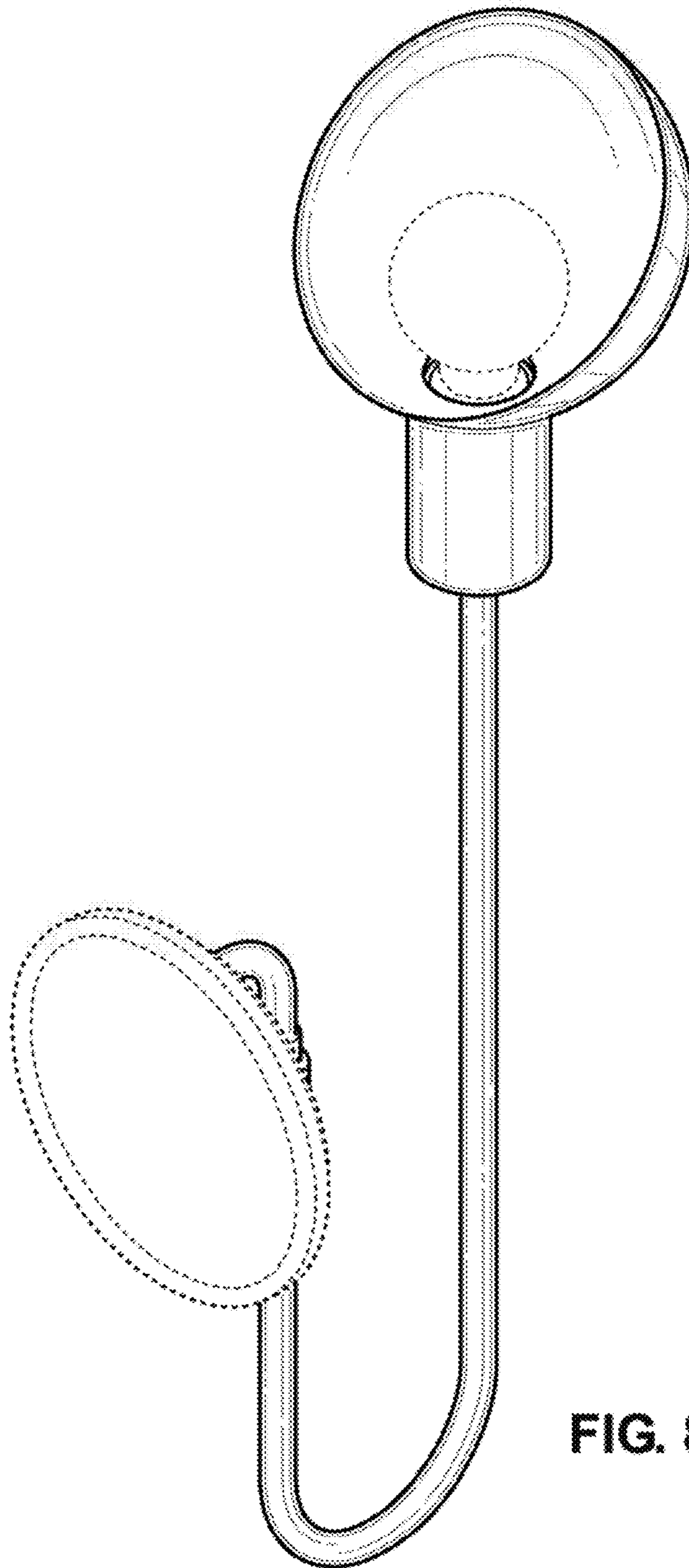


FIG. 8