



US00D818176S

(12) **United States Design Patent** (10) **Patent No.:** **US D818,176 S**  
**McCracken et al.** (45) **Date of Patent:** **\*\* May 15, 2018**

(54) **WALL SCONCE**

(71) Applicant: **LSI Industries, Inc.**, Cincinnati, OH (US)

(72) Inventors: **Edward R. McCracken**, Cincinnati, OH (US); **Jonathan M. Hermansen**, Maineville, OH (US)

(73) Assignee: **LSI Industries, Inc.**, Cincinnati, OH (US)

(\*\*) Term: **15 Years**

(21) Appl. No.: **29/561,580**

(22) Filed: **Apr. 18, 2016**

(51) **LOC (11) Cl.** ..... **26-03**

(52) **U.S. Cl.**  
USPC ..... **D26/85**

(58) **Field of Classification Search**  
USPC ..... D26/72, 85, 87, 92; D10/106.6, 106.8  
CPC .... F21S 8/03; F21S 8/033; F21S 8/036; F21S 8/037; F21S 9/022; F21S 9/024; F21S 9/03; F21S 9/035; F21S 9/037; F21W 2131/107  
See application file for complete search history.

(56) **References Cited**

**U.S. PATENT DOCUMENTS**

2,732,484	A *	1/1956	Lipscomb	.....	F21S 8/033 362/218
D562,491	S *	2/2008	DiCola	.....	D26/85
D565,232	S *	3/2008	Butler	.....	D26/85
D610,296	S *	2/2010	Boissevain	.....	D26/85
D634,878	S *	3/2011	Guercio	.....	D26/71
D644,370	S *	8/2011	Lickiss	.....	D26/71
D650,112	S *	12/2011	Bryant	.....	D26/85
D653,377	S *	1/2012	Guercio	.....	D26/85
D669,206	S *	10/2012	Yu	.....	D26/85

D672,492	S *	12/2012	Butler	.....	D26/71
D672,903	S *	12/2012	Toney, Jr.	.....	D26/85
D676,173	S *	2/2013	Akinrele	.....	D26/71
D752,800	S *	3/2016	Yu	.....	D26/85
D753,864	S *	4/2016	Dungan	.....	D26/85
9,506,612	B1 *	11/2016	Badley	.....	F21S 9/024
D776,859	S *	1/2017	Duckworth	.....	D26/92
D782,720	S *	3/2017	Moghal	.....	D26/67
2012/0268952	A1 *	10/2012	Newton	.....	B23P 11/00 362/368
2015/0292723	A1 *	10/2015	Yu	.....	F21V 29/76 362/147
2015/0308667	A1 *	10/2015	Corkill	.....	F21S 8/033 362/147

\* cited by examiner

*Primary Examiner* — Clare E Heflin

(74) *Attorney, Agent, or Firm* — Wood Herron & Evans LLP

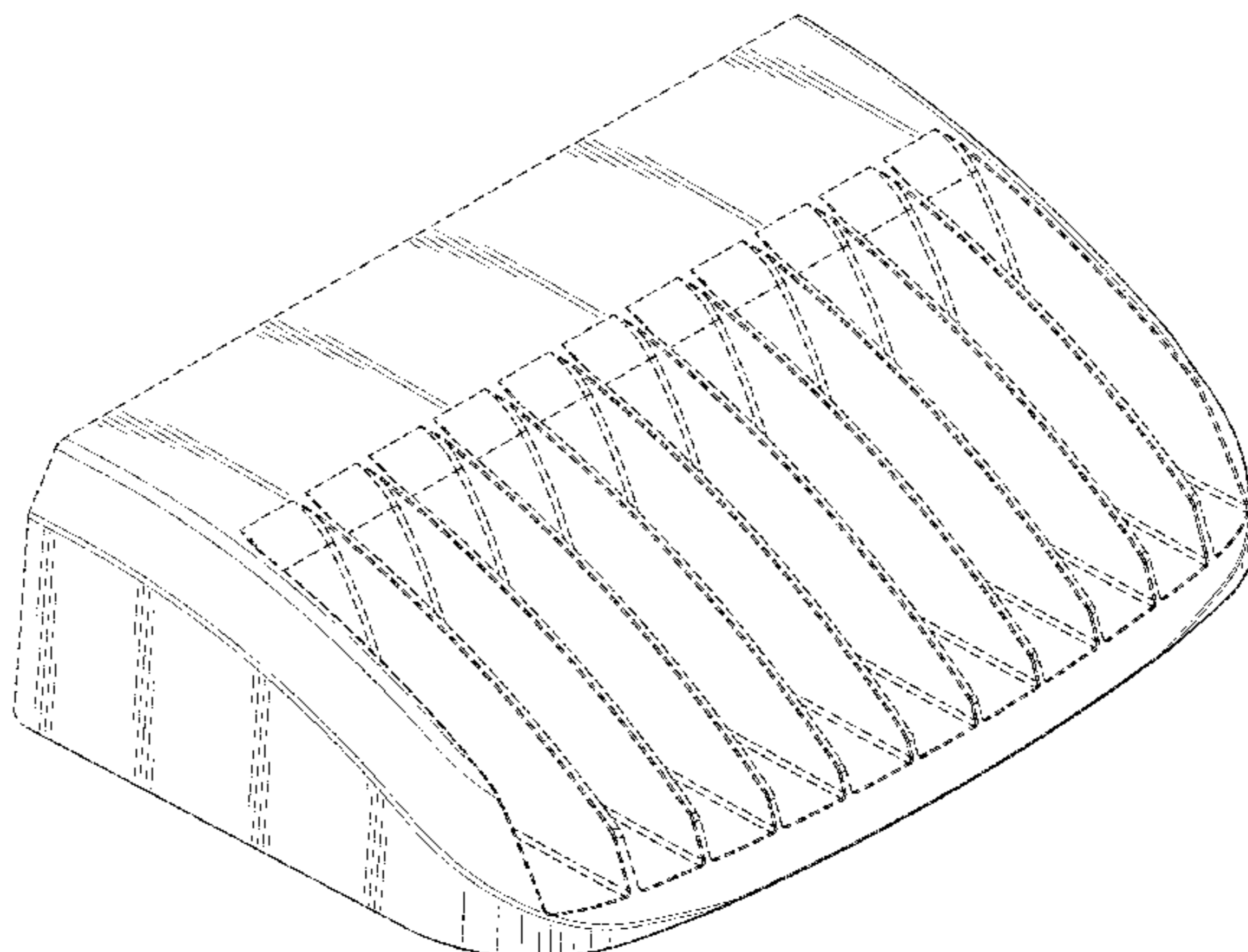
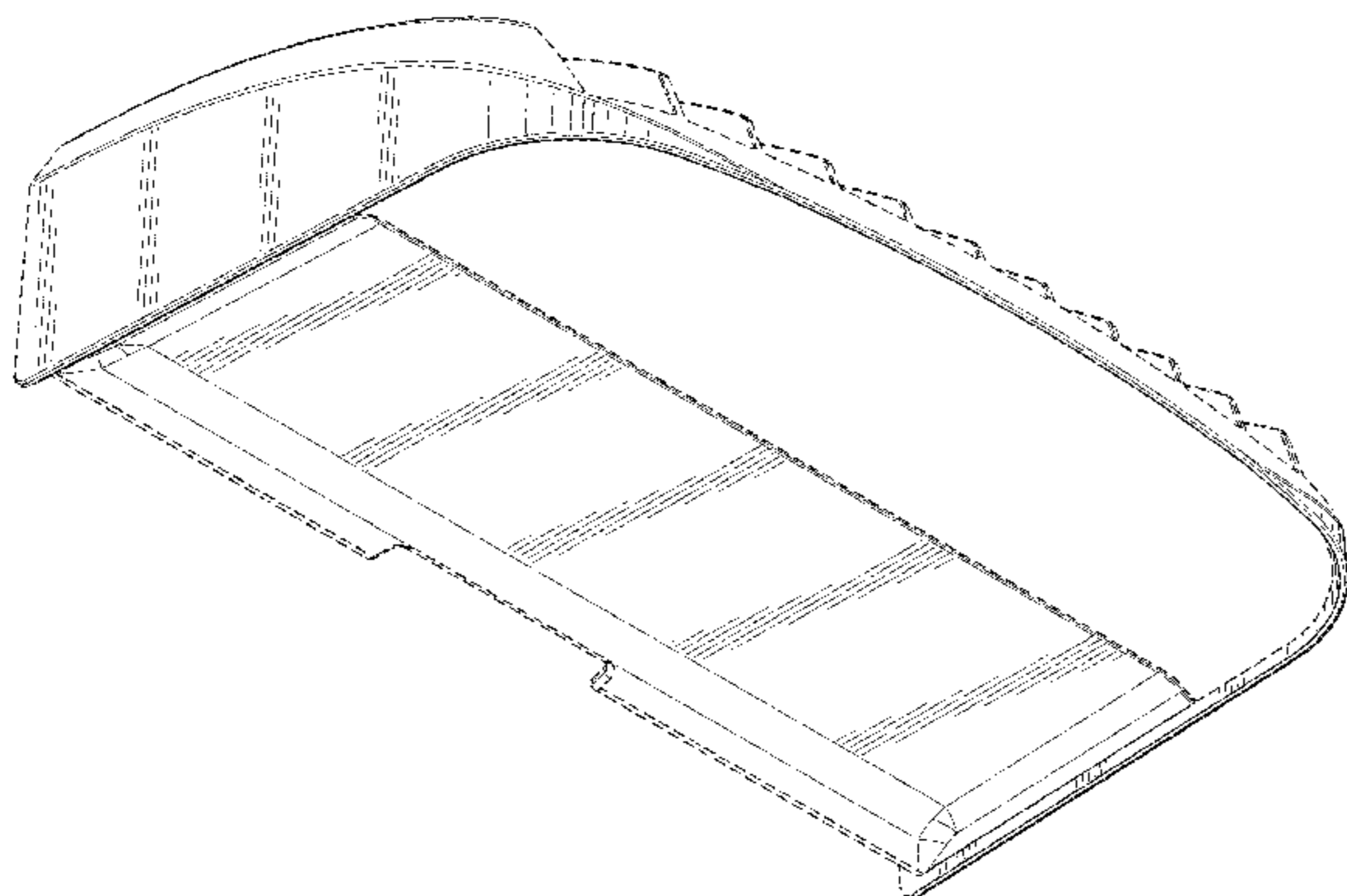
(57) **CLAIM**

The ornamental design for the wall sconce, as shown and described.

**DESCRIPTION**

FIG. 1 is a bottom front isometric view of our new wall sconce design;  
 FIG. 2 is a top front isometric view thereof;  
 FIG. 3 is a top rear isometric view thereof;  
 FIG. 4 is a front elevation view thereof;  
 FIG. 5 is a rear elevation view thereof;  
 FIG. 6 is a right side elevation view thereof;  
 FIG. 7 is a left side elevation view thereof;  
 FIG. 8 is a top plan view thereof; and,  
 FIG. 9 is a bottom plan view thereof.  
 The broken dash lines shown in the drawing views represent unclaimed portions of the design, and neither the lines themselves nor anything within the lines form any part of the claimed invention.

**1 Claim, 7 Drawing Sheets**



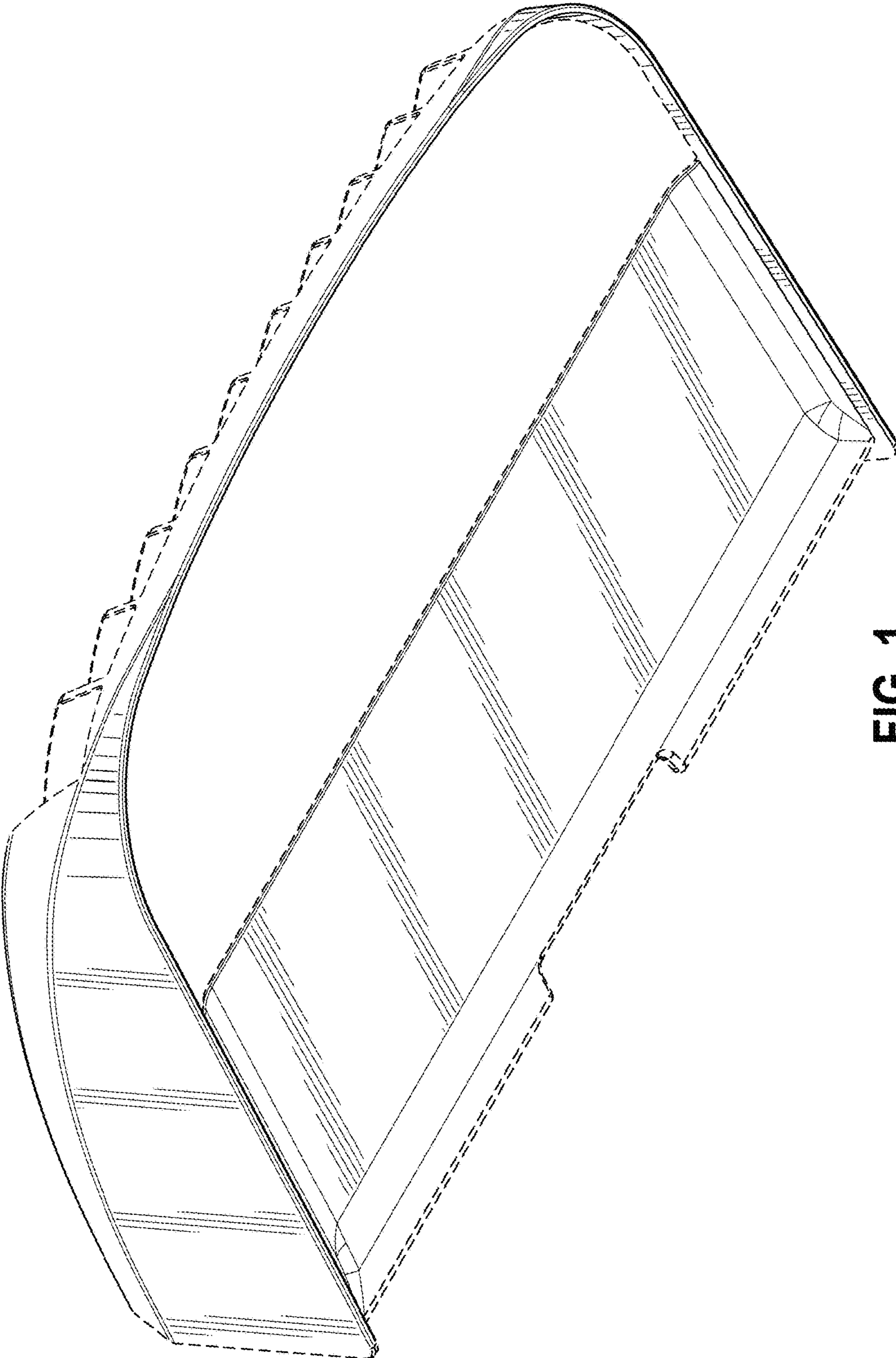


FIG. 1

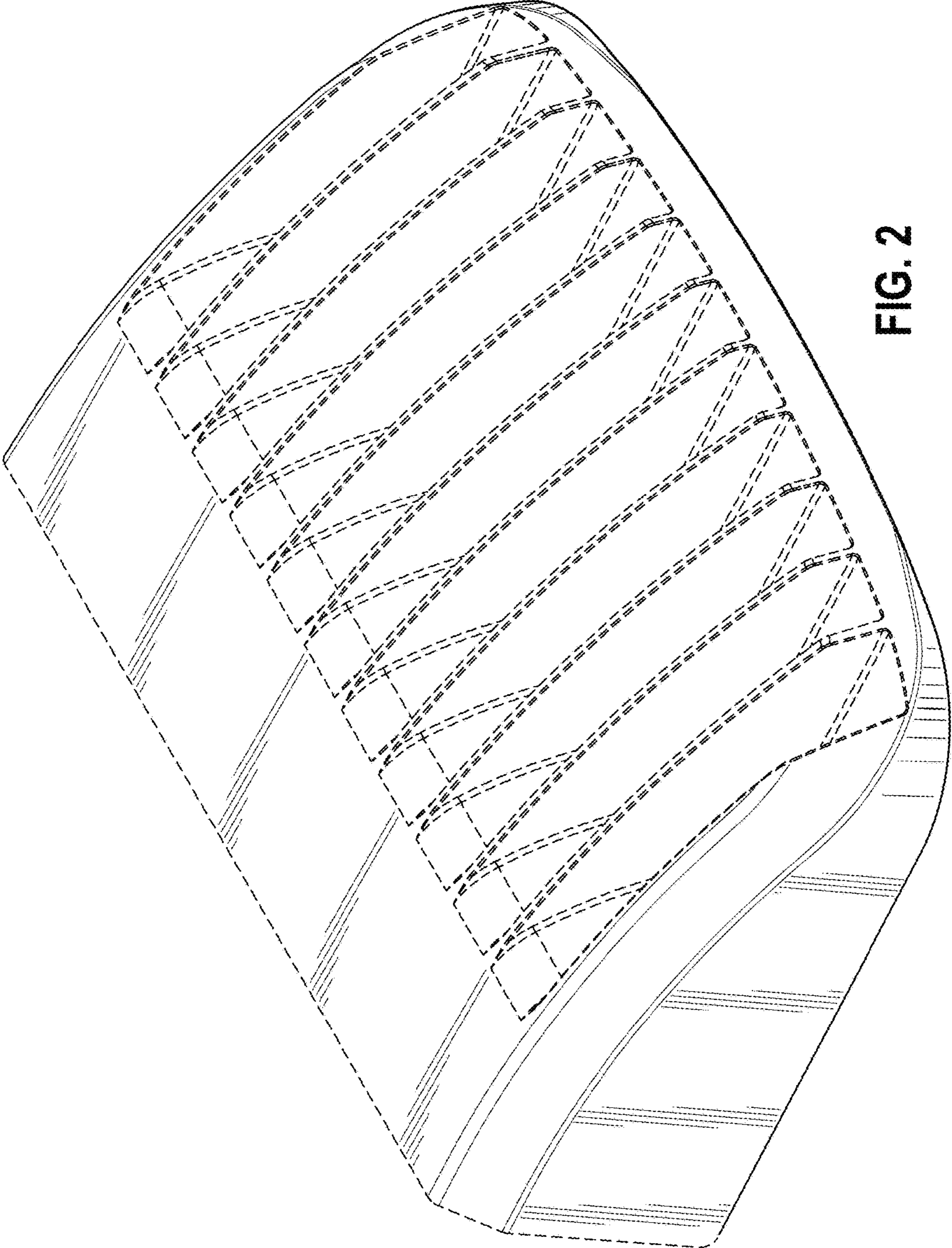


FIG. 2

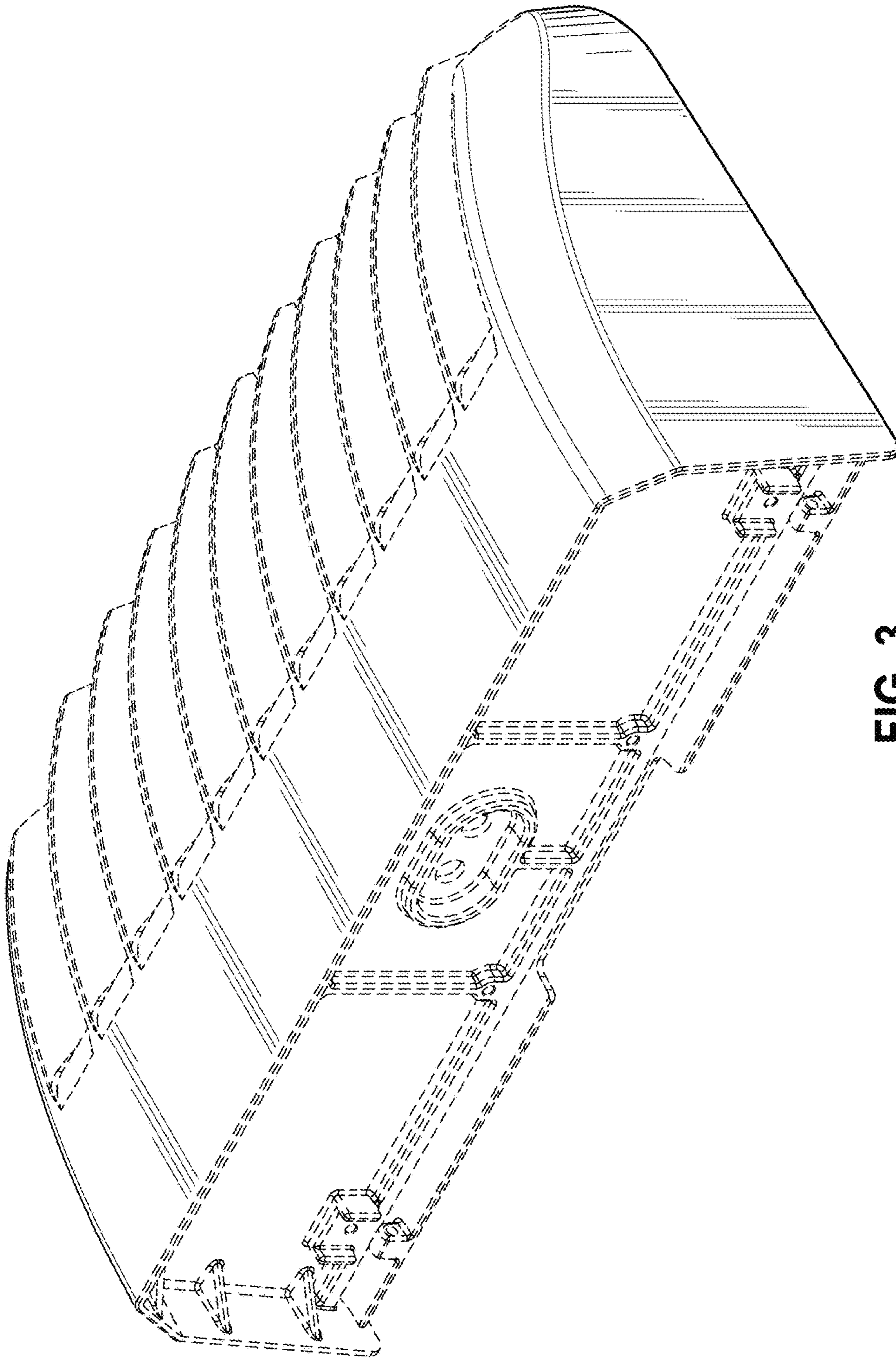


FIG. 3

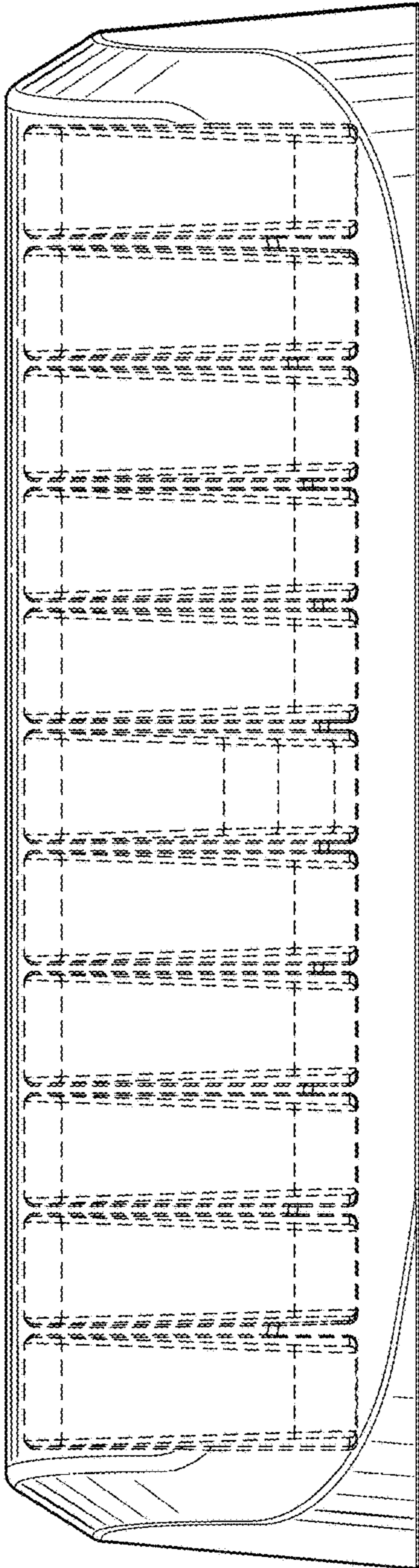


FIG. 4

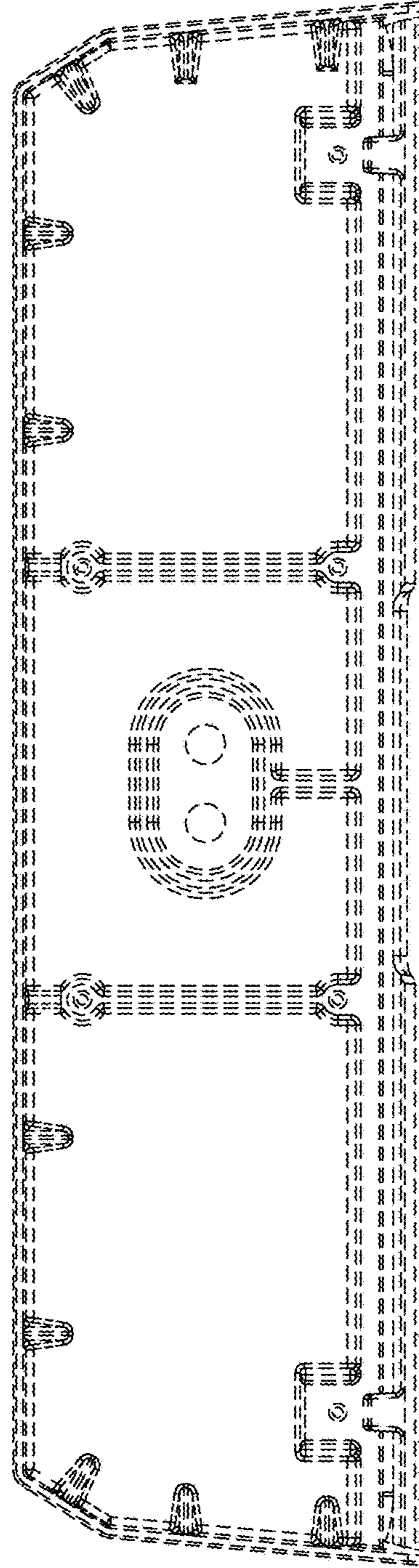


FIG. 5

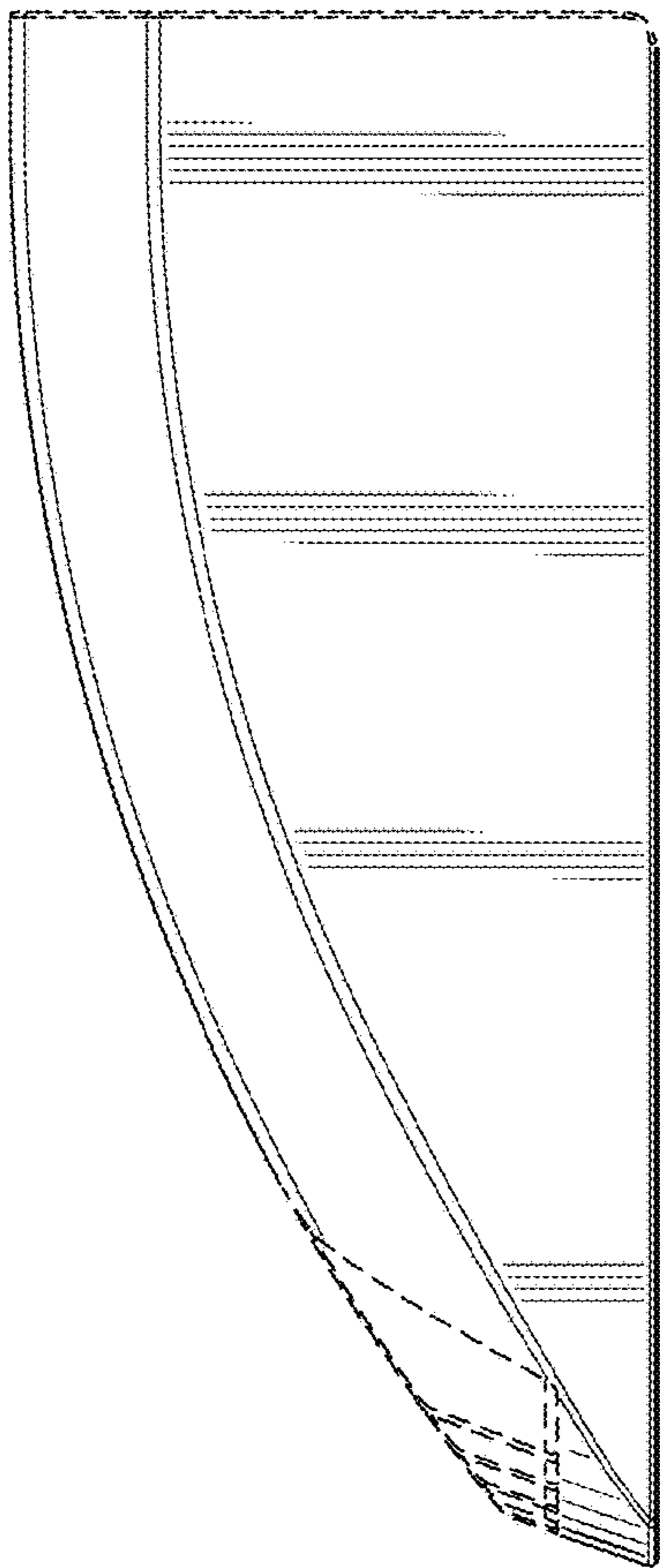


FIG. 6

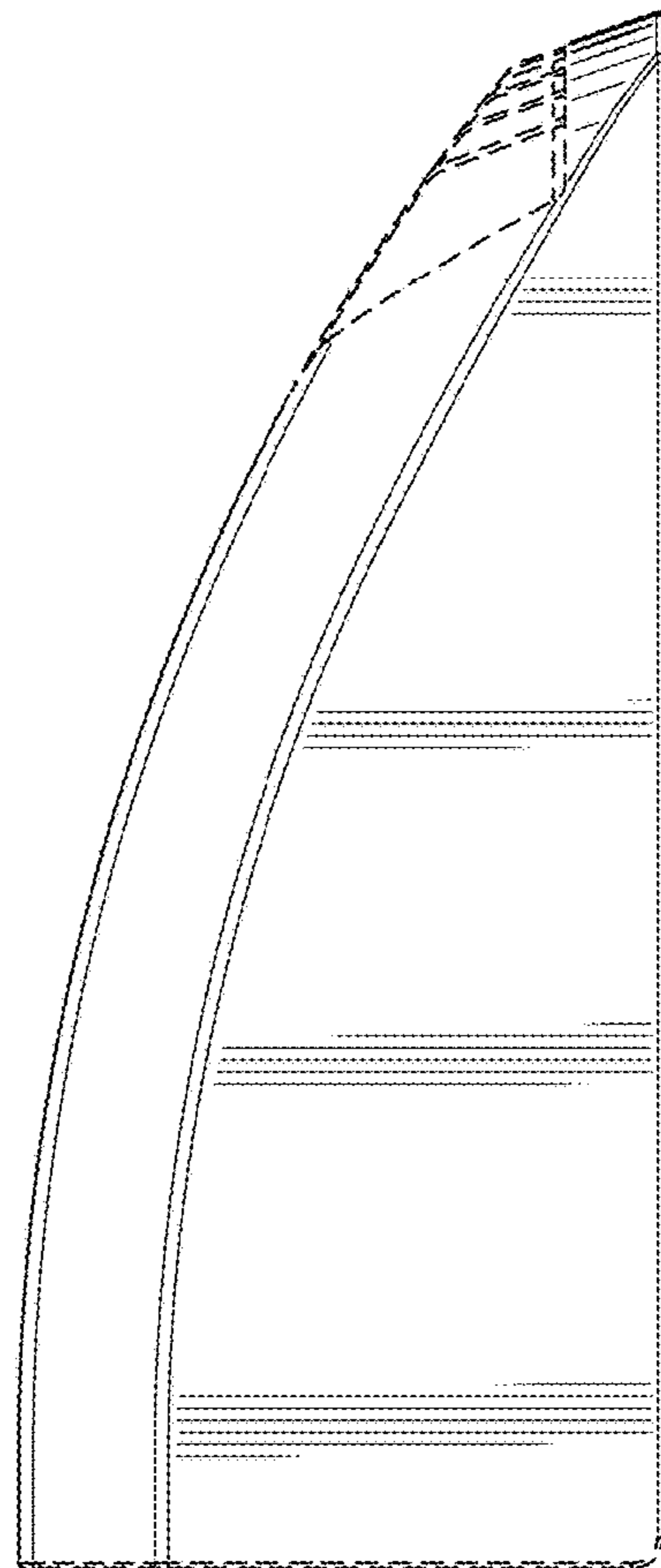


FIG. 7

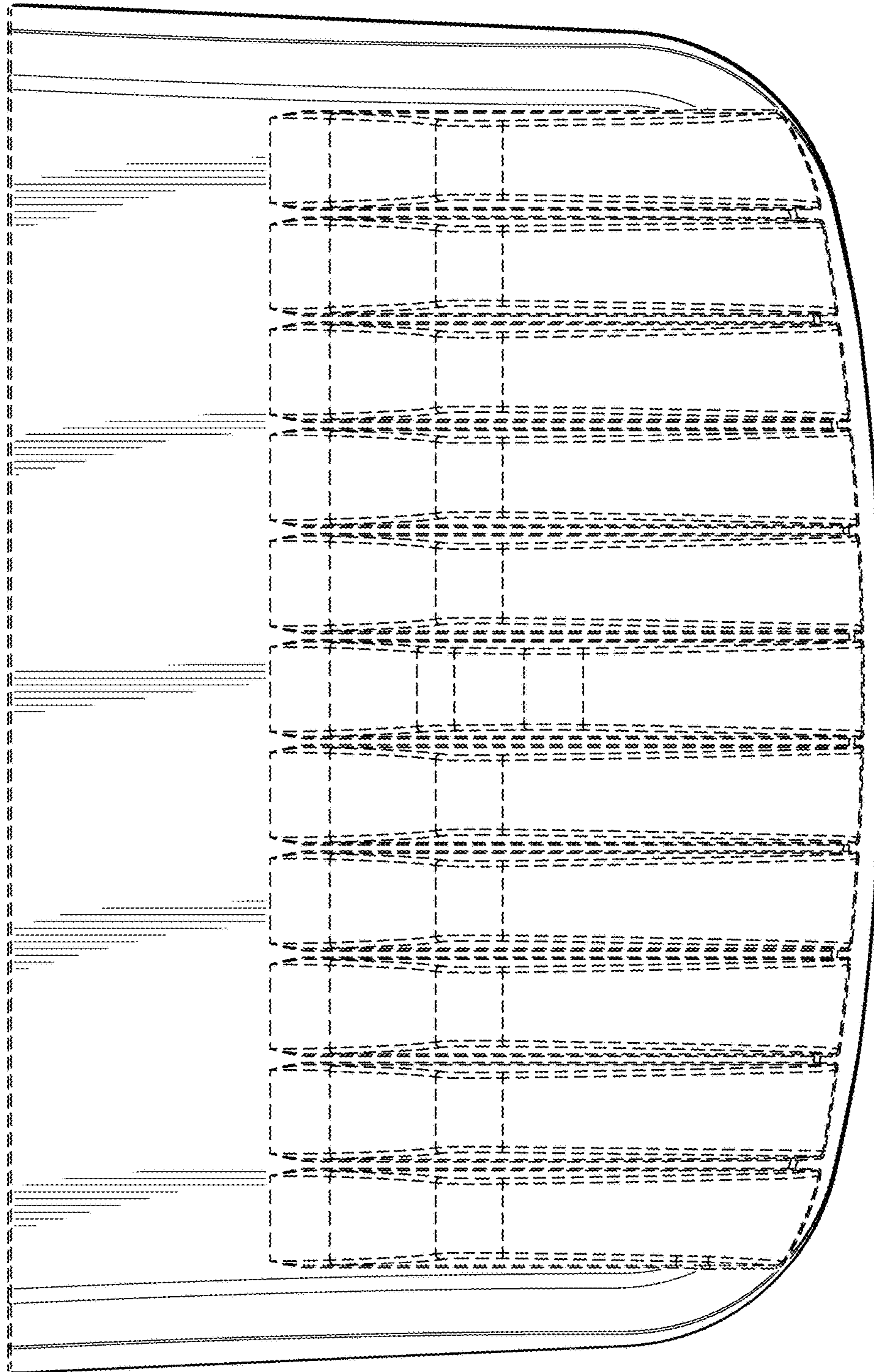


FIG. 8

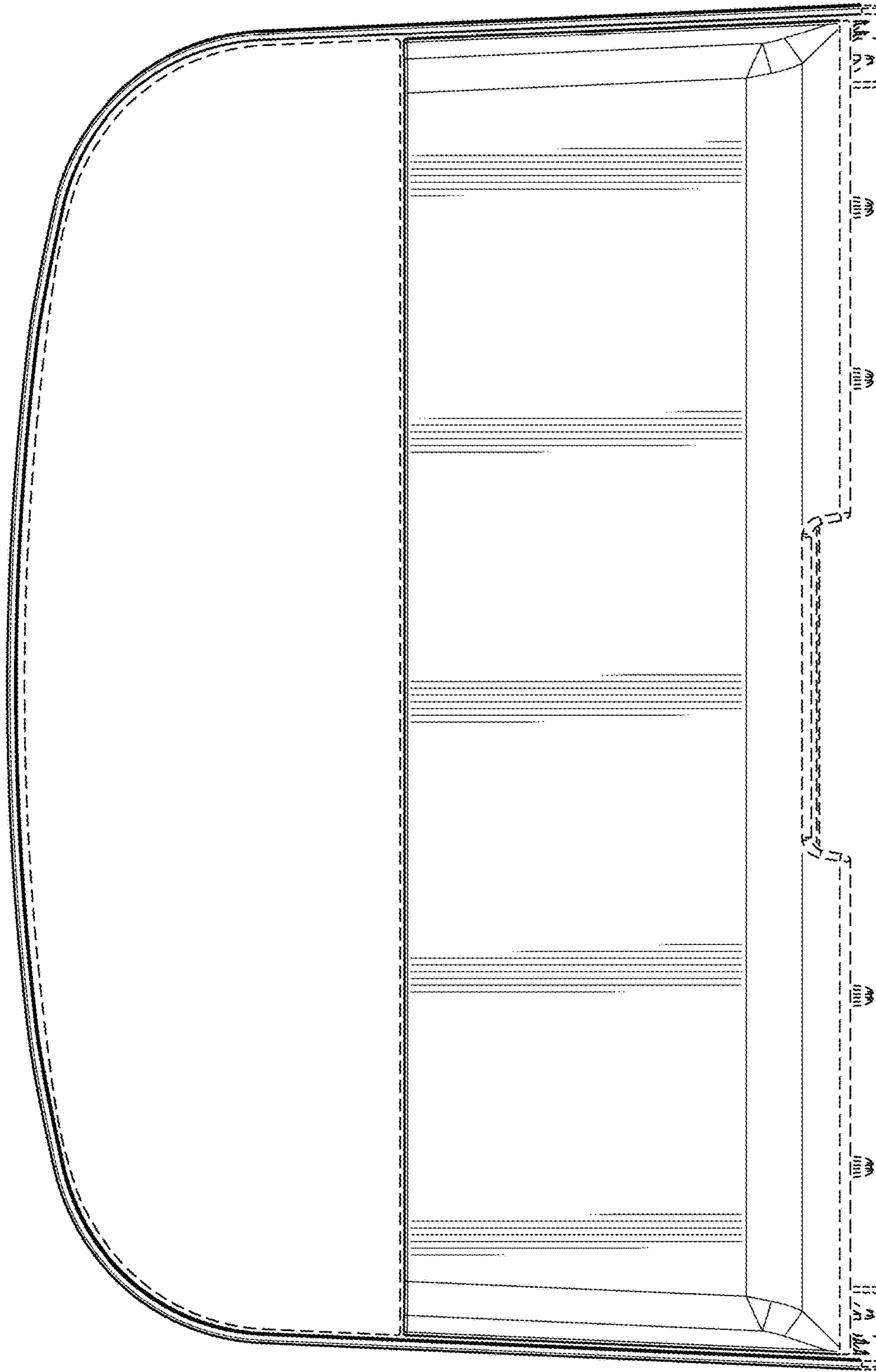


FIG. 9