



US00D818174S

(12) **United States Design Patent**  
**Wan et al.**

(10) **Patent No.:** **US D818,174 S**

(45) **Date of Patent:** **\*\* May 15, 2018**

(54) **LED STREET LIGHT**

(71) Applicants: **ANGELED CO., LTD.**, Shenzhen, Guangdong (CN); **GUANGDONG UNILUMIN ENERGY SAVING TECHNOLOGY CO., LTD.**, Huizhou, Guangdong (CN); **UNILUMIN GROUP CO., LTD.**, Shenzhen, Guangdong (CN)

(72) Inventors: **Changwei Wan**, Shenzhen (CN); **Jiao Liu**, Shenzhen (CN); **Jianghai Li**, Shenzhen (CN); **Qing Zhou**, Shenzhen (CN)

(73) Assignees: **ANGELED CO., LTD.**, Shenzhen (CN); **GUANGDONG UNILUMIN ENERGY SAVING TECHNOLOGY CO., LTD.**, Huizhou (CN); **UNILUMIN GROUP CO., LTD.**, Shenzhen (CN)

(\*\*) Term: **15 Years**

(21) Appl. No.: **29/614,877**

(22) Filed: **Aug. 24, 2017**

(30) **Foreign Application Priority Data**

May 5, 2017 (CN) ..... 2017 3 0162363

(51) **LOC (11) Cl.** ..... **26-05**

(52) **U.S. Cl.**  
USPC ..... **D26/71; D26/92**

(58) **Field of Classification Search**  
USPC ..... D13/134-136; D26/51, 60-71, 76, 77, D26/78, 80, 85, 86, 87, 92; D29/103  
CPC .. F21S 8/036; F21S 8/038; F21S 8/043; F21S 8/081; F21S 8/083; F21S 8/085; F21S 8/086; F21S 8/088; F21S 9/03; F21S 9/035; F21S 9/037; F21S 10/063; F21S 13/10

See application file for complete search history.

(56) **References Cited**

U.S. PATENT DOCUMENTS

D478,682 S *	8/2003	Abry .....	D26/65
D607,593 S *	1/2010	Yoo .....	D26/71
D614,790 S *	4/2010	Nibaldi .....	D26/71
D645,190 S *	9/2011	Van Klinken .....	D26/71
D664,697 S *	7/2012	Piano .....	D26/71
D676,178 S *	2/2013	Akinrele .....	D26/71
D676,589 S *	2/2013	Elam .....	D26/71
D684,296 S *	6/2013	Henderson .....	D26/118
D689,233 S *	9/2013	Boissevain .....	D26/71
D708,774 S *	7/2014	Hermansen .....	D26/71
D742,574 S *	11/2015	Bembridge .....	D26/71

(Continued)

*Primary Examiner* — Kevin K Rudzinski

*Assistant Examiner* — Richard Kearney

(74) *Attorney, Agent, or Firm* — Ladas & Parry LLP

(57) **CLAIM**

The ornamental design for an LED street light, as shown and described.

**DESCRIPTION**

FIG. 1 is a perspective view of an LED street light showing our new design;  
FIG. 2 is another perspective view thereof;  
FIG. 3 is a front elevational view thereof;  
FIG. 4 is a rear elevational view thereof;  
FIG. 5 is a left side elevational view thereof;  
FIG. 6 is a right side elevational view thereof;  
FIG. 7 is a top plan view thereof;  
FIG. 8 is a bottom plan view thereof; and,  
FIG. 9 is an enlarged view of the circled portion of FIG. 2. The broken lines shown in the drawings illustrate portions of the LED street light that form no part of the claimed design.

**1 Claim, 9 Drawing Sheets**

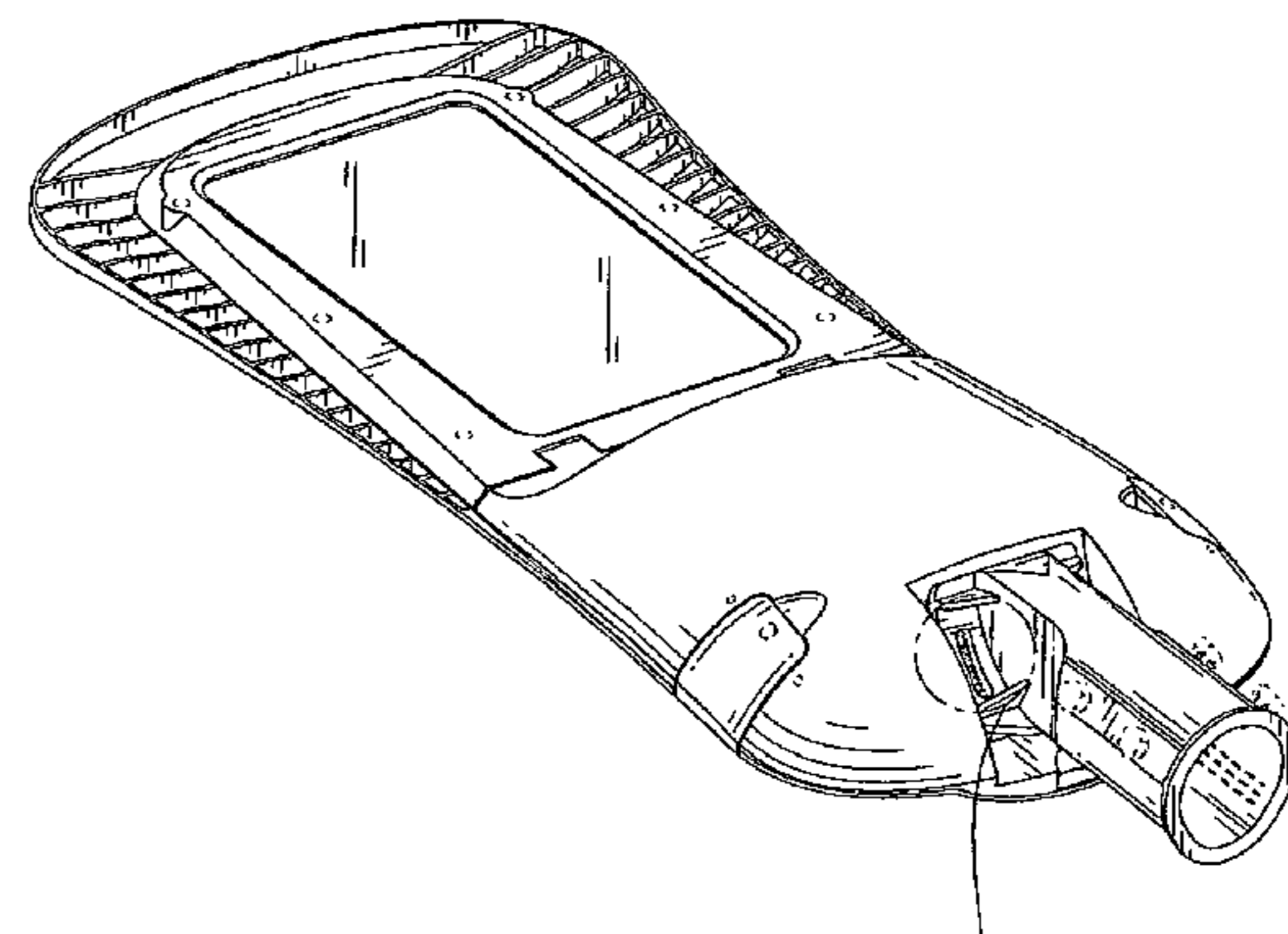
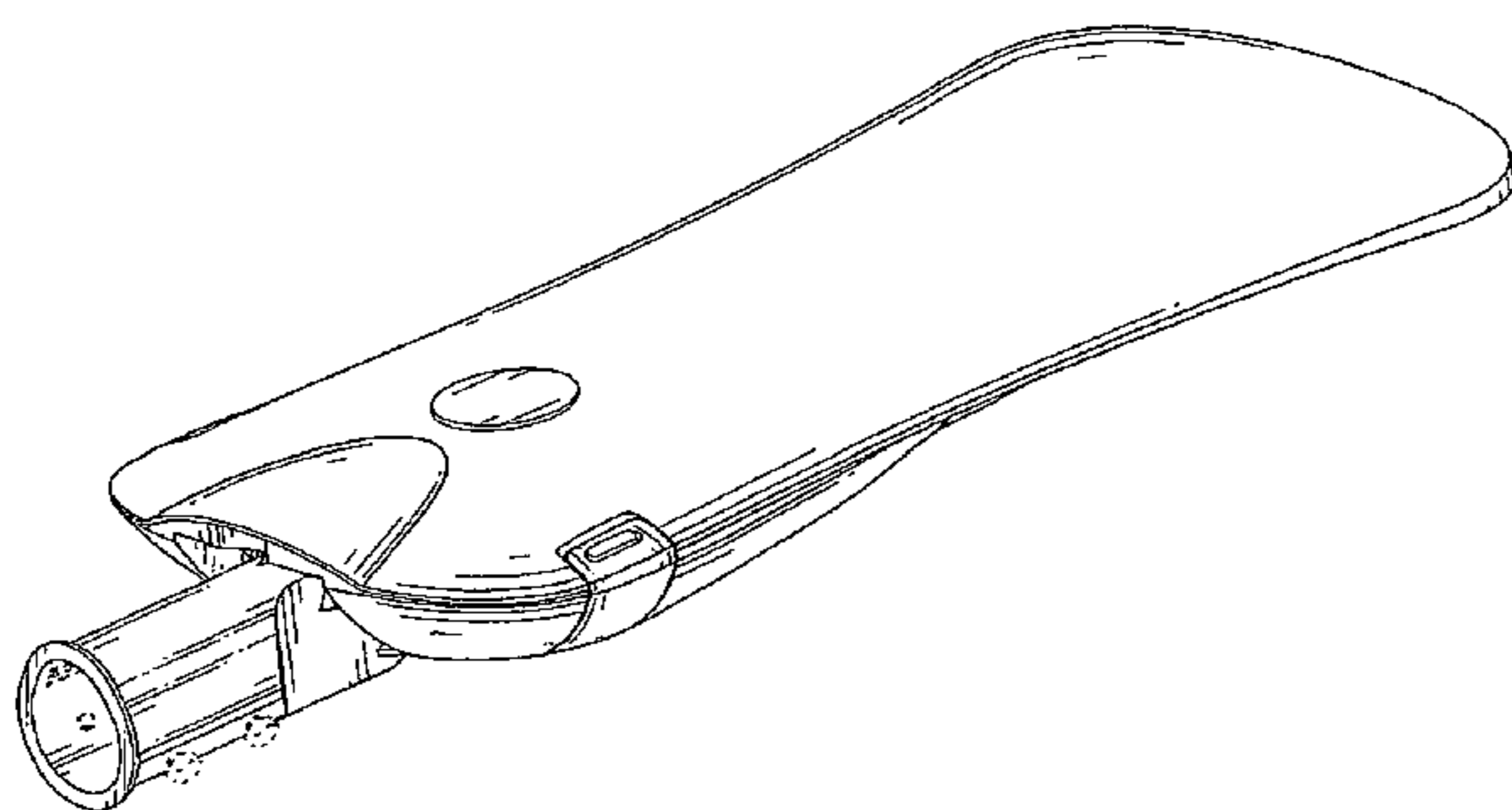


FIG. 9

(56)

**References Cited**

U.S. PATENT DOCUMENTS

D767,196 S \* 9/2016 Duckworth ..... D26/92  
D782,719 S \* 3/2017 Snell ..... D26/71

\* cited by examiner

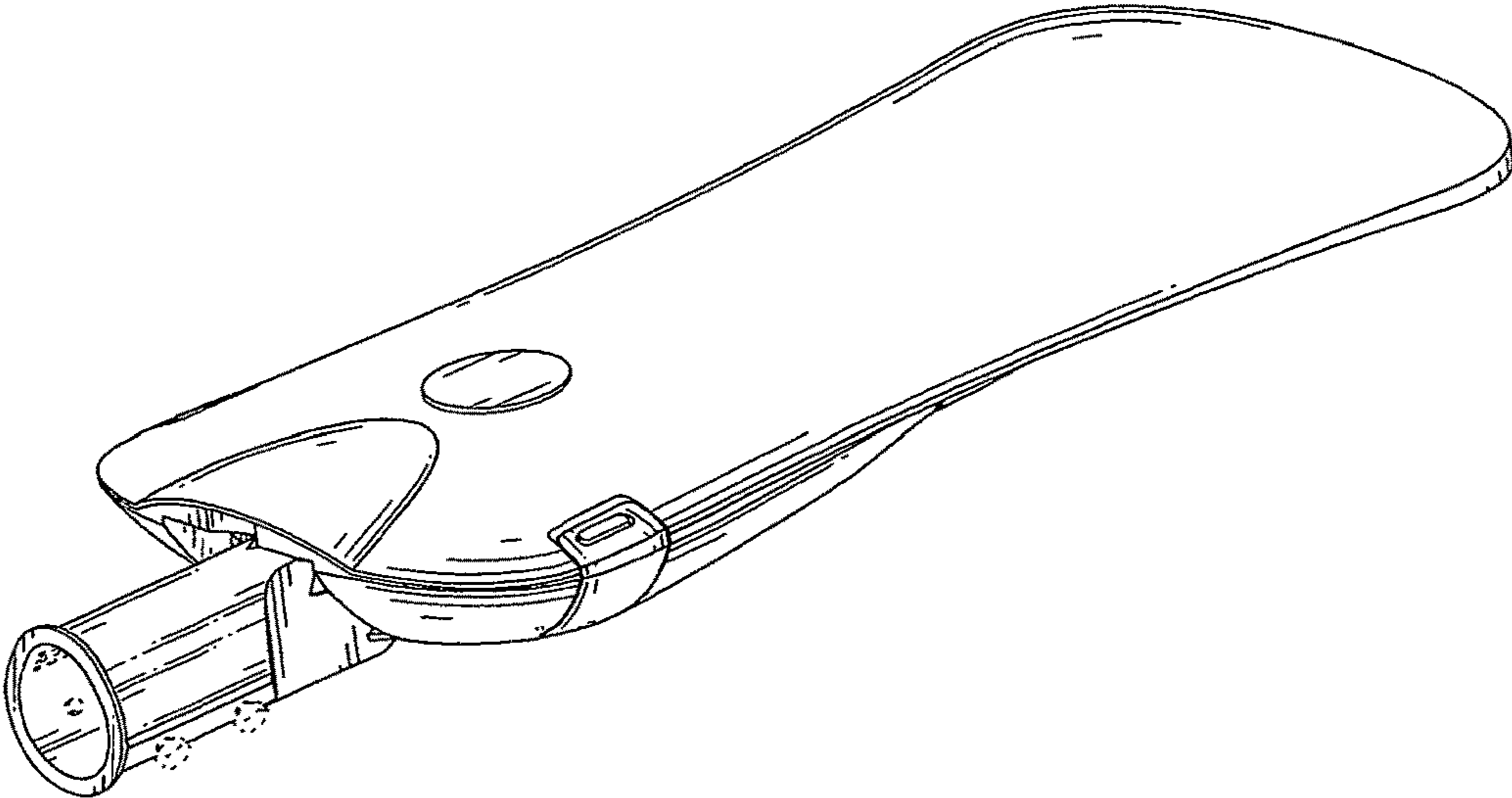


FIG. 1

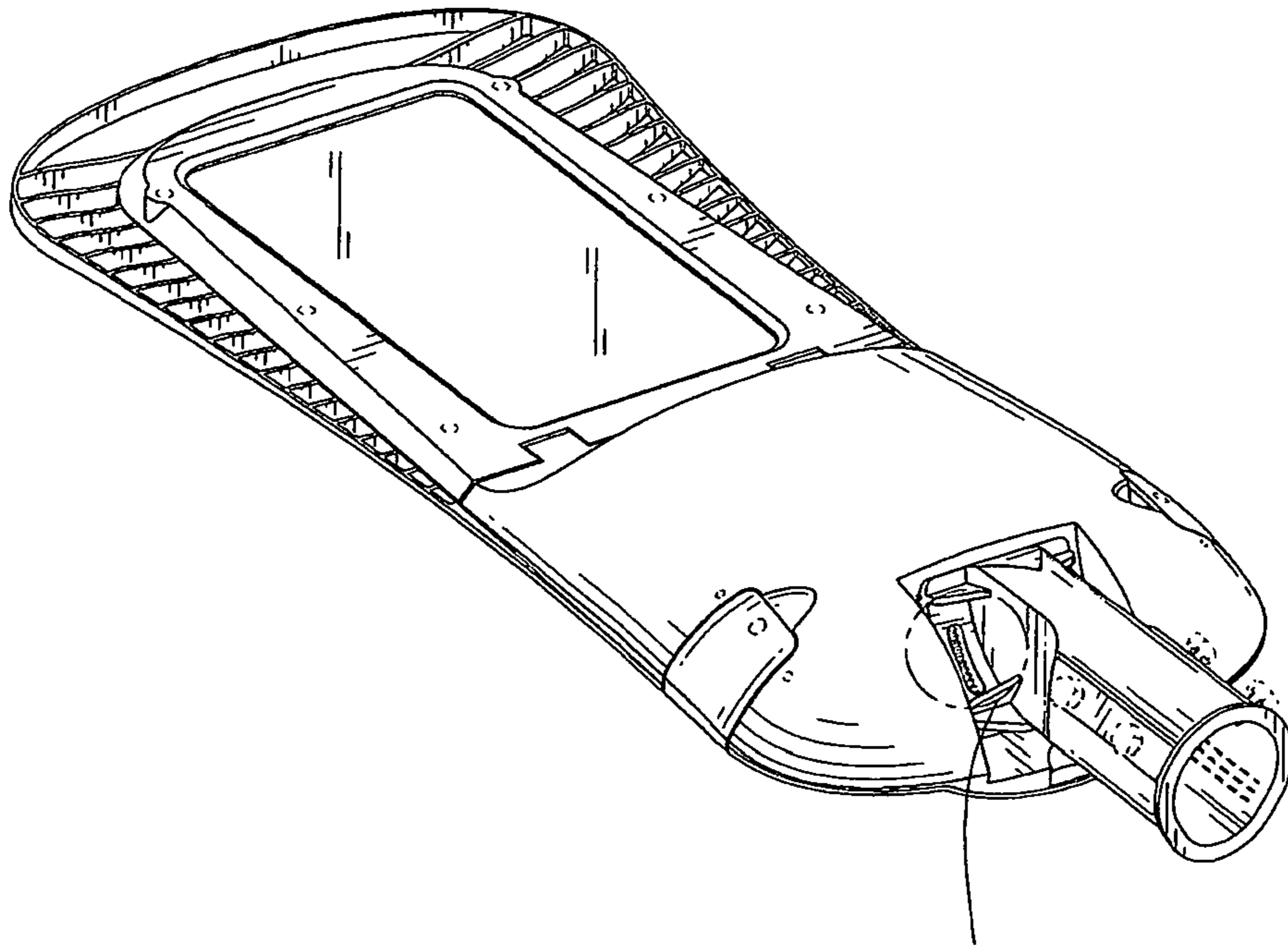


FIG. 9

FIG. 2

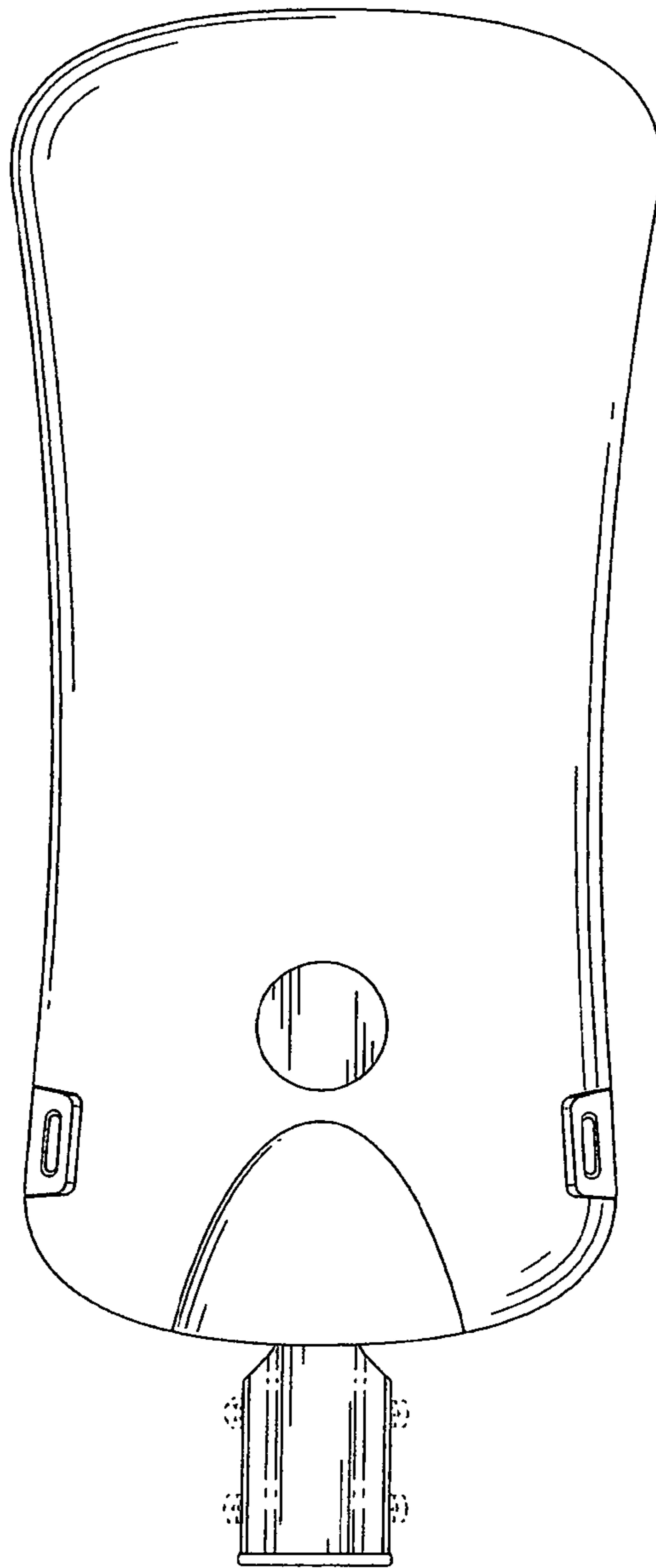


FIG. 3

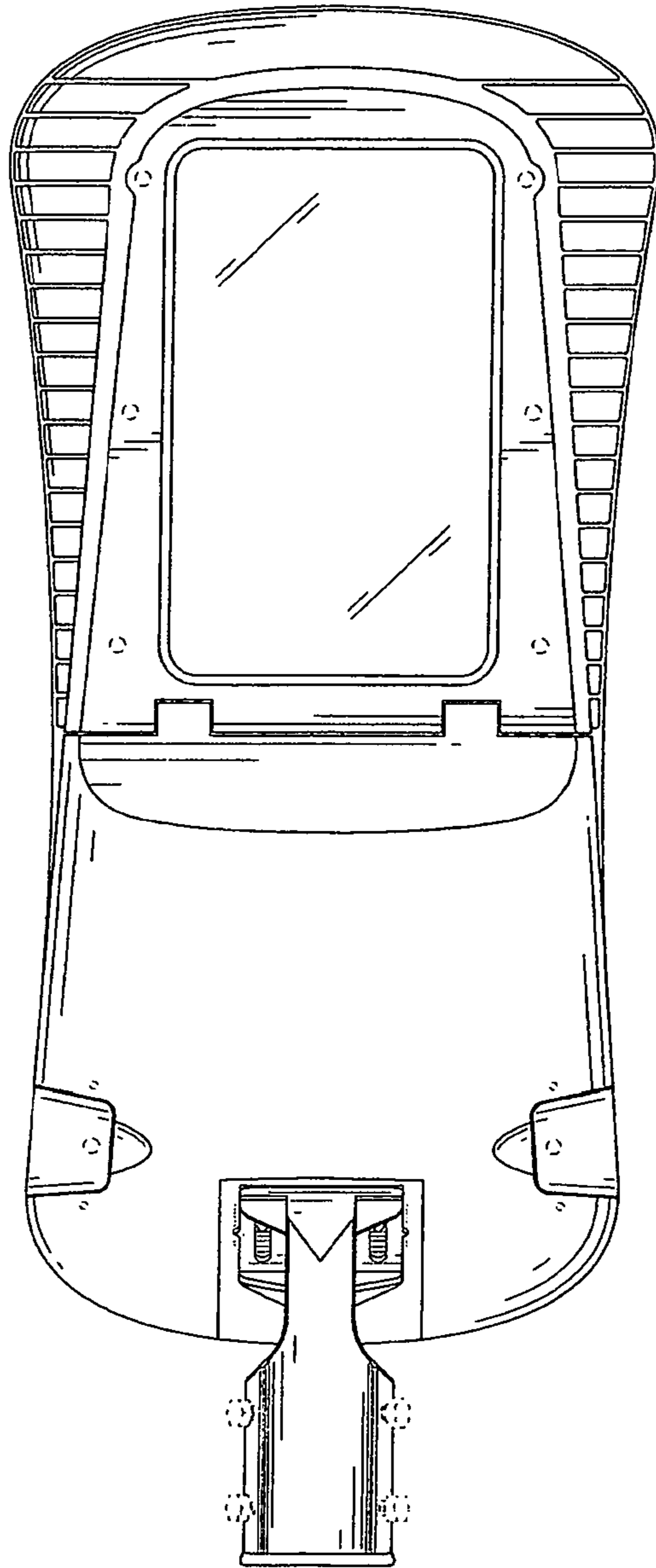


FIG. 4

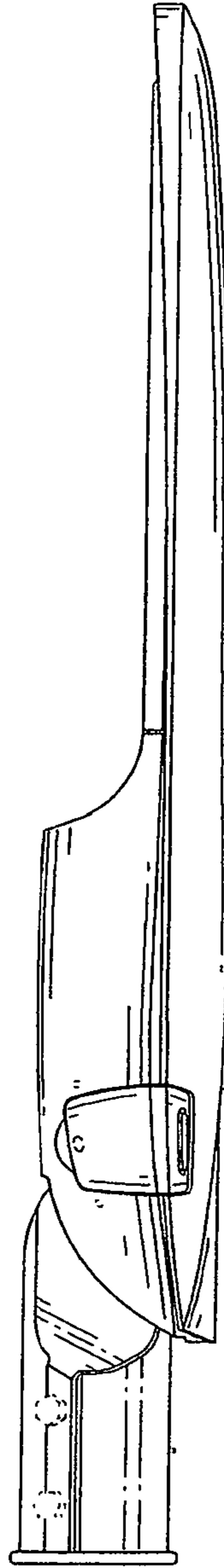


FIG. 5

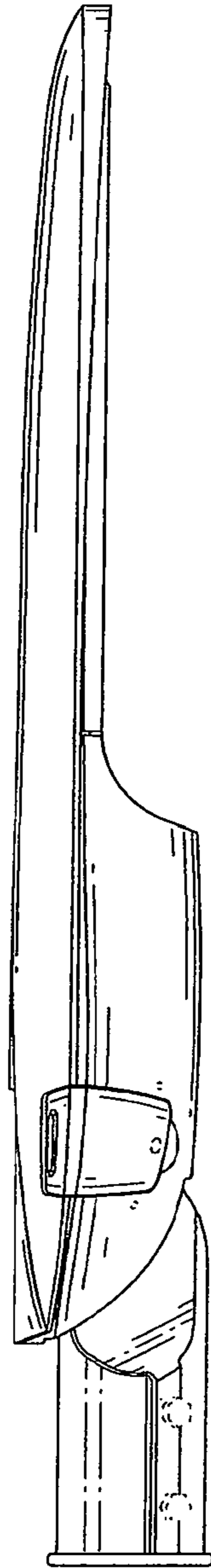


FIG. 6



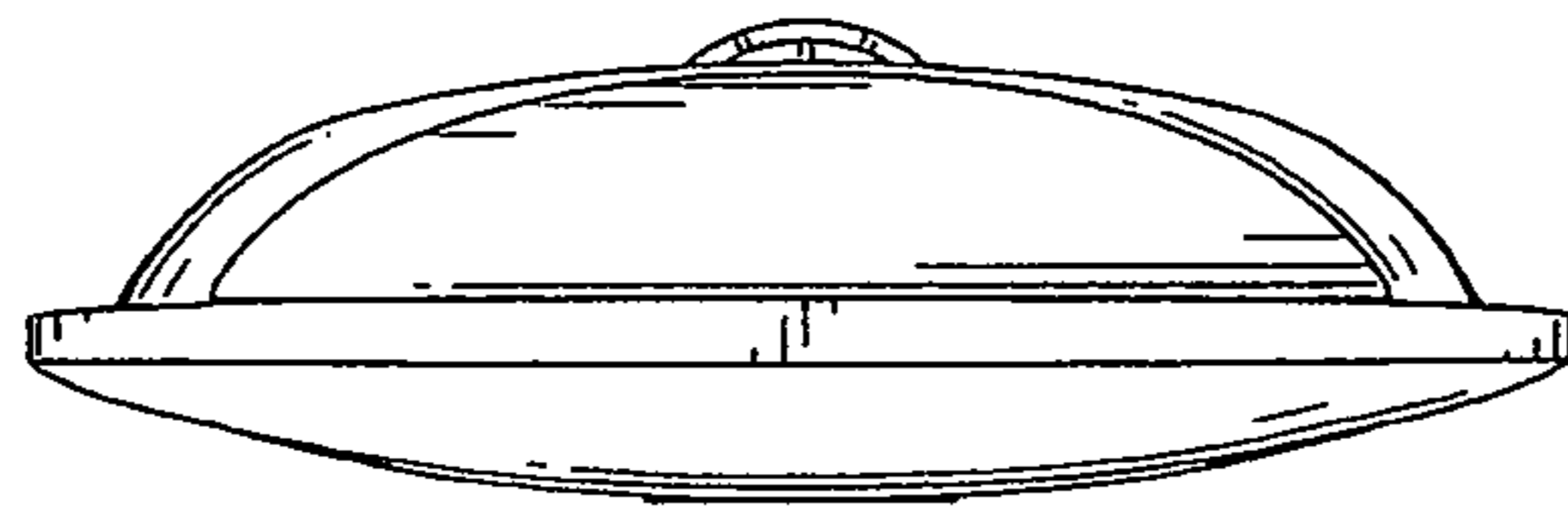


FIG. 7

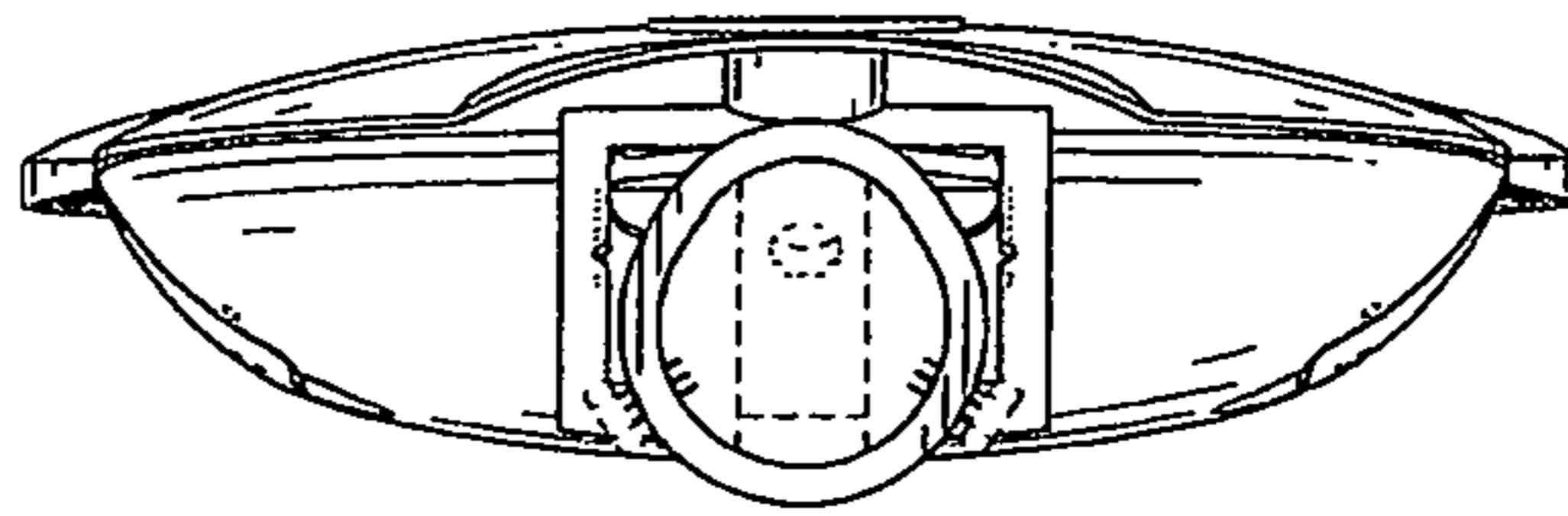


FIG. 8

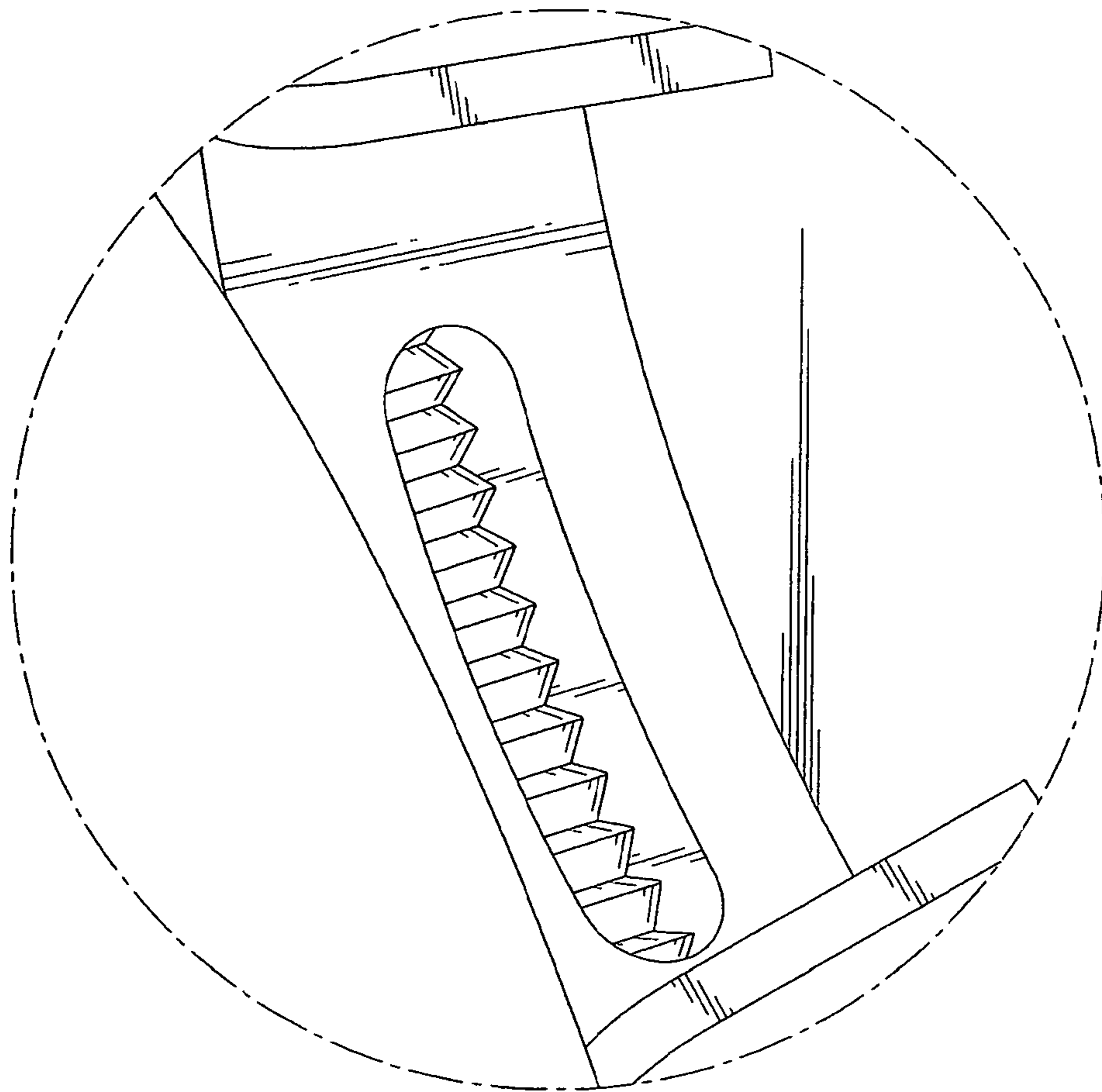


FIG. 9