



US00D818173S

(12) **United States Design Patent**  
**Wan et al.**

(10) **Patent No.: US D818,173 S**

(45) **Date of Patent: \*\* May 15, 2018**

(54) **LED STREET LIGHT**

(71) Applicants: **UNILUMIN GROUP CO., LTD.**,  
Shenzhen, Guangdong (CN);  
**GUANGDONG UNILUMIN**  
**ENERGY SAVING TECHNOLOGY**  
**CO., LTD.**, Huizhou, Guangdong (CN)

(72) Inventors: **Changwei Wan**, Guangdong (CN);  
**Qing Zhou**, Guangdong (CN); **Jianghai**  
**Li**, Guangdong (CN)

(73) Assignees: **UNILUMIN GROUP CO., LTD.**,  
Shenzhen (CN); **GUANGDONG**  
**UNILUMIN ENERGY SAVING**  
**TECHNOLOGY CO., LTD.**, Huizhou,  
Guangdong (CN)

(\*\*) Term: **15 Years**

(21) Appl. No.: **29/614,871**

(22) Filed: **Aug. 24, 2017**

(30) **Foreign Application Priority Data**

Apr. 11, 2017 (CN) ..... 2017 3 0118054

(51) **LOC (11) Cl.** ..... **26-05**

(52) **U.S. Cl.**  
USPC ..... **D26/71; D26/92**

(58) **Field of Classification Search**  
USPC ..... D13/134-136; D26/51, 60-71, 76, 77,  
D26/78, 80, 85, 86, 87, 92; D29/103  
CPC .. F21S 8/036; F21S 8/038; F21S 8/043; F21S  
8/081; F21S 8/083; F21S 8/085; F21S  
8/086; F21S 8/088; F21S 9/03; F21S  
9/035; F21S 9/037; F21S 10/063; F21S  
13/10

See application file for complete search history.

(56) **References Cited**

U.S. PATENT DOCUMENTS

D615,690 S \* 5/2010 Zheng ..... D26/71  
D622,433 S \* 8/2010 Waters ..... D26/71

D663,462 S \* 7/2012 Butler ..... D26/71  
D666,759 S \* 9/2012 Lane ..... D26/71  
D744,145 S \* 11/2015 Coulbeaut ..... D26/71  
D760,935 S \* 7/2016 Jurdana ..... D26/71  
D760,937 S \* 7/2016 Jurdana ..... D26/71  
D770,659 S \* 11/2016 Zhu ..... D26/71  
D771,857 S \* 11/2016 Novak ..... D26/71  
D781,482 S \* 3/2017 McCracken, Jr. .... D26/71  
2012/0008320 A1 \* 1/2012 Tu ..... F21V 11/02  
362/235

(Continued)

**OTHER PUBLICATIONS**

Ostar Series\_LED Street Light (available online) Retrieved from the internet Dec. 19, 2017, retrieved from URL: <http://uniluminled.com/Products/LED-Street-Lights/Ostar-Series/2017/0825/179.html>.\*

*Primary Examiner* — Kevin K Rudzinski

*Assistant Examiner* — Richard Kearney

(74) *Attorney, Agent, or Firm* — Ladas & Parry LLP

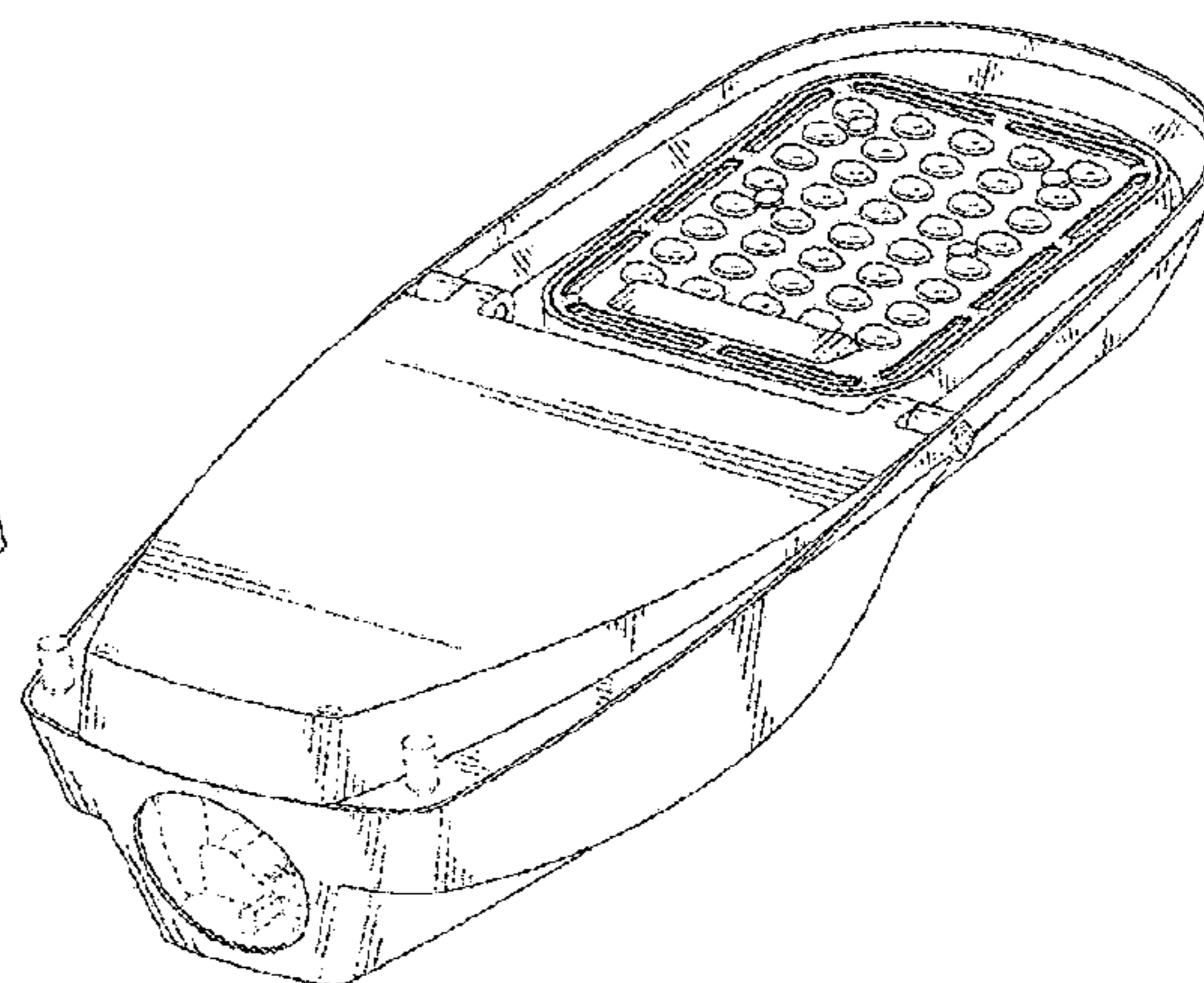
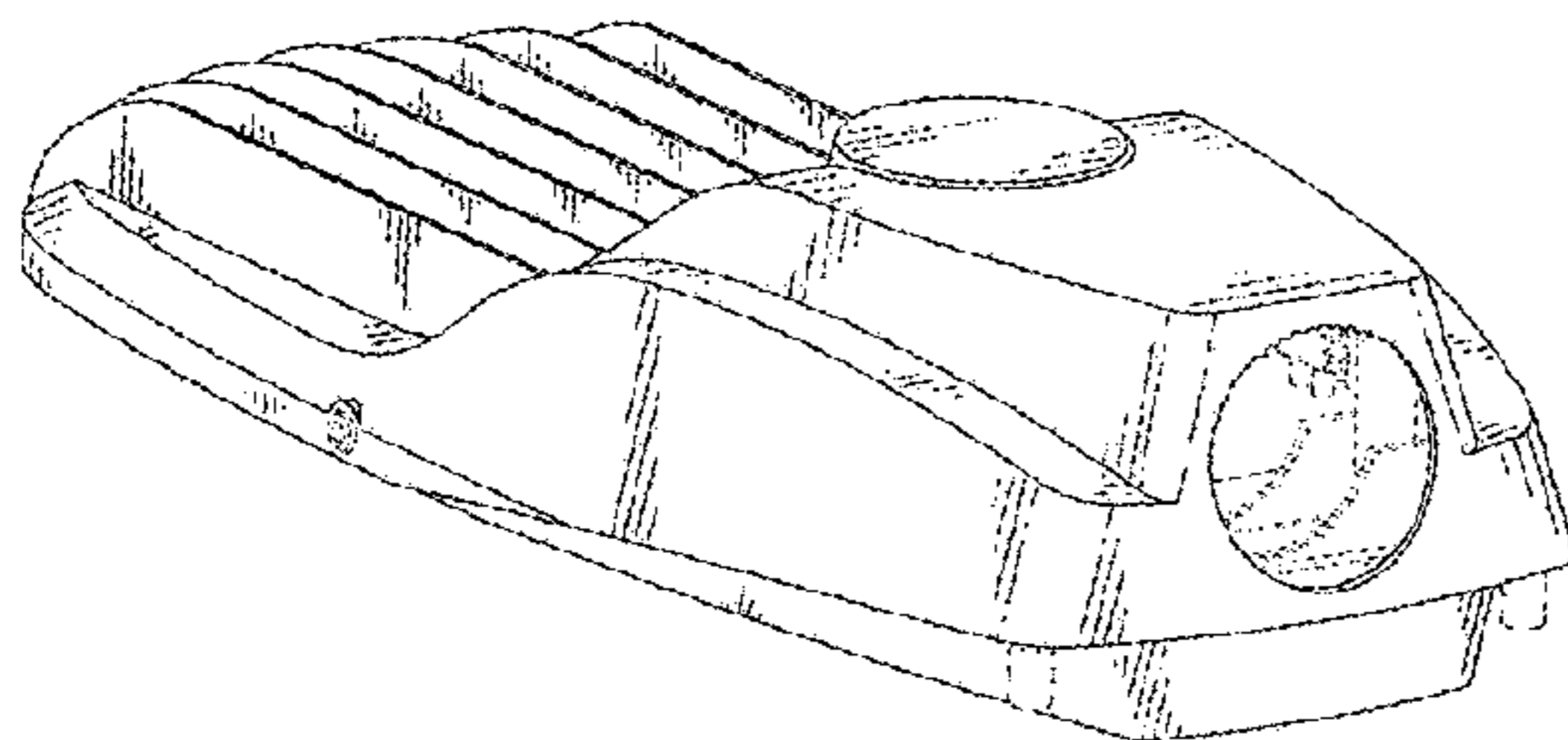
(57) **CLAIM**

The ornamental design for an LED street light, as shown and described.

**DESCRIPTION**

FIG. 1 is a perspective view of an LED street light showing our new design;  
FIG. 2 is another perspective view thereof;  
FIG. 3 is a front elevational view thereof;  
FIG. 4 is a rear elevational view thereof;  
FIG. 5 is a left side elevational view thereof;  
FIG. 6 is a right side elevational view thereof;  
FIG. 7 is a top plan view thereof; and,  
FIG. 8 is a bottom plan view thereof.  
The broken lines shown in the drawings illustrate portions of the LED street light that form no part of the claimed design.

**1 Claim, 8 Drawing Sheets**



(56)

**References Cited**

U.S. PATENT DOCUMENTS

2014/0254149 A1 \* 9/2014 Wang ..... F21V 7/0083  
362/235

\* cited by examiner

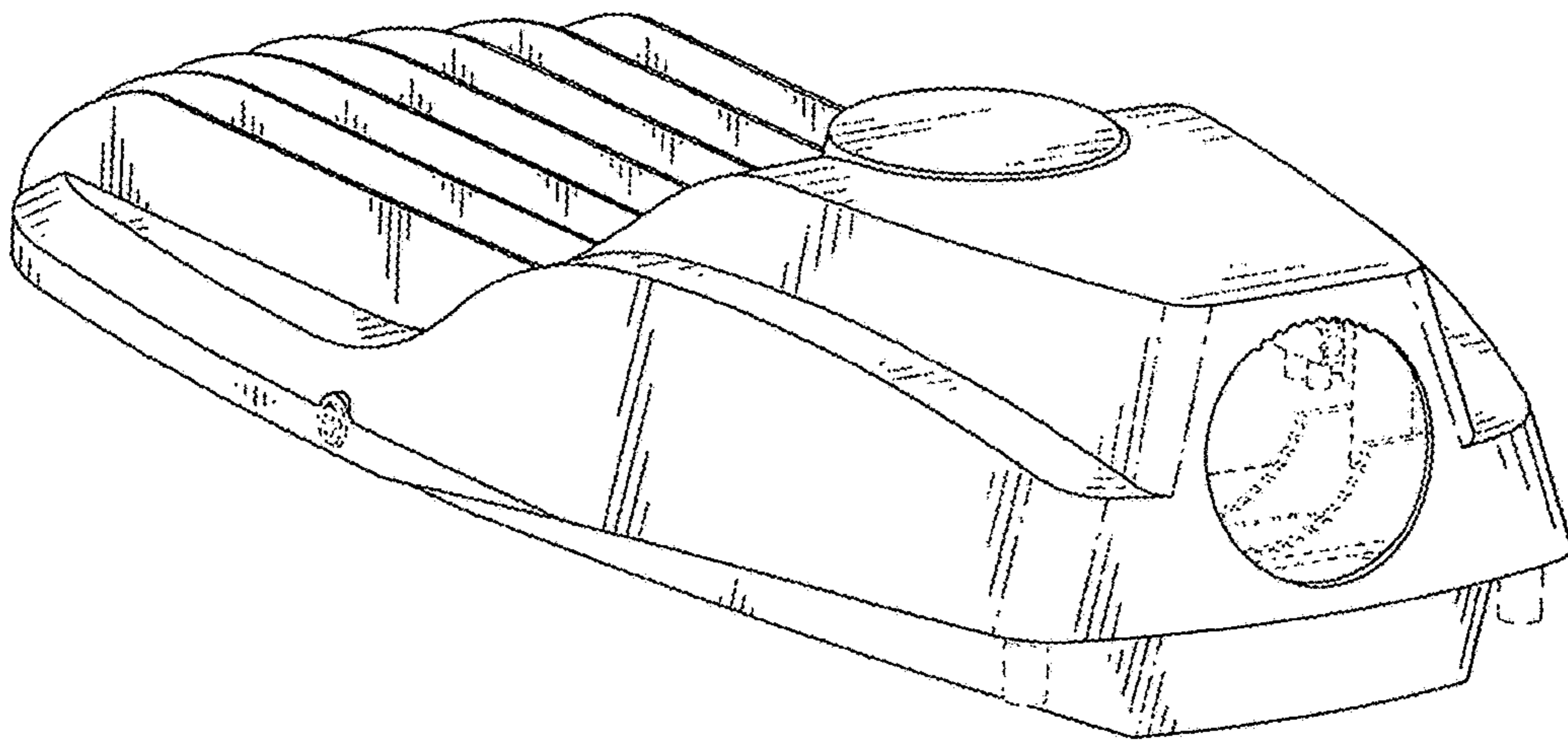


FIG. 1

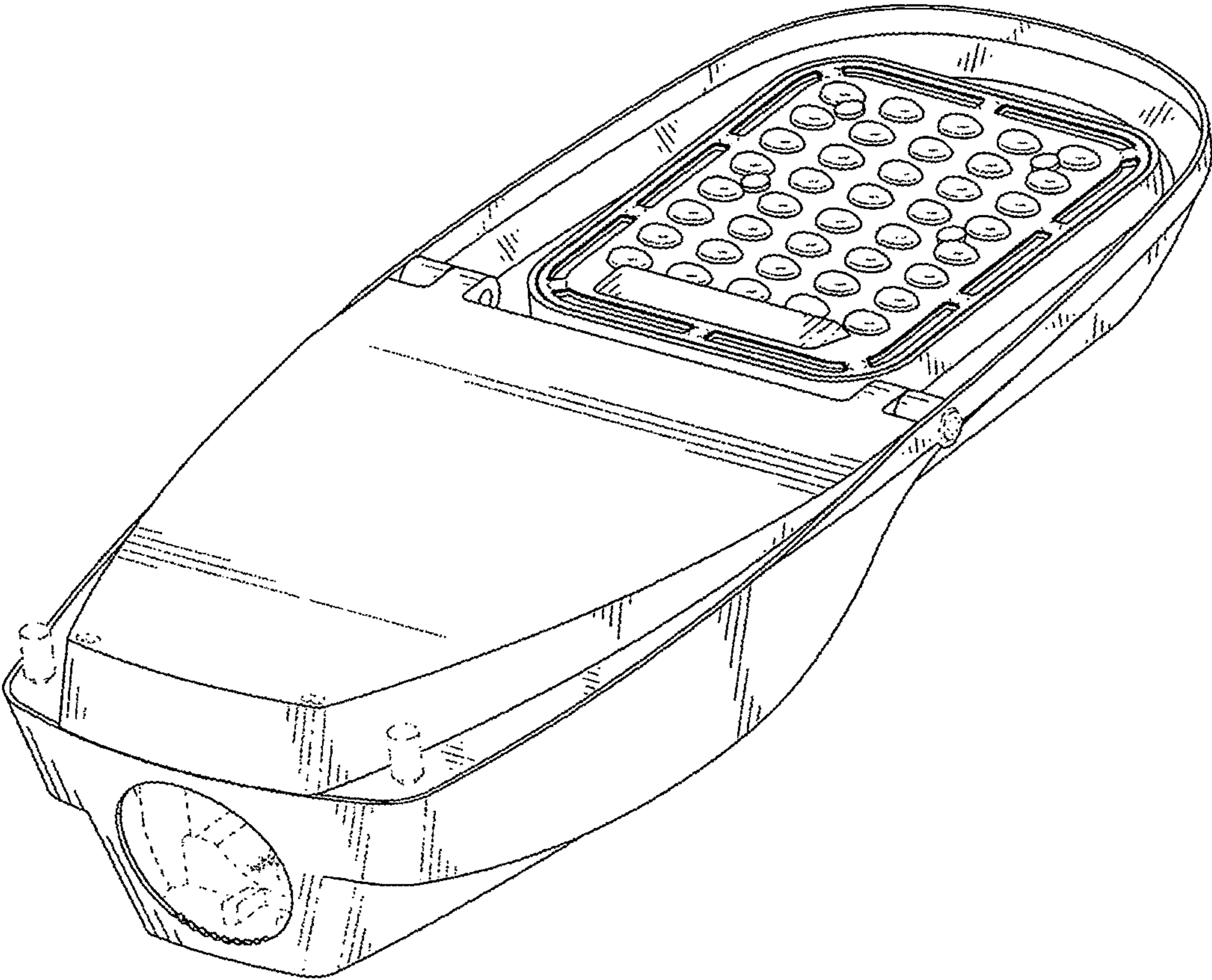


FIG. 2



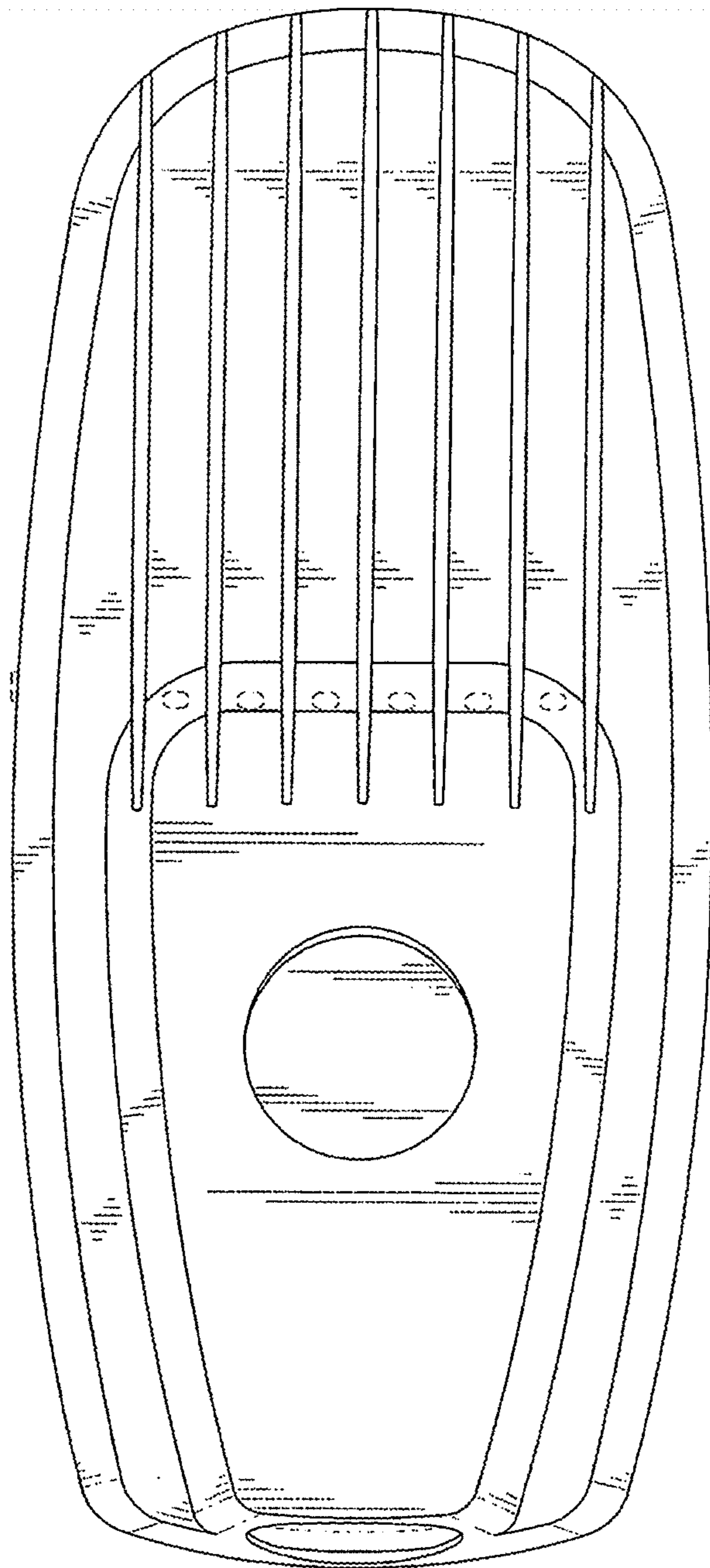


FIG. 3

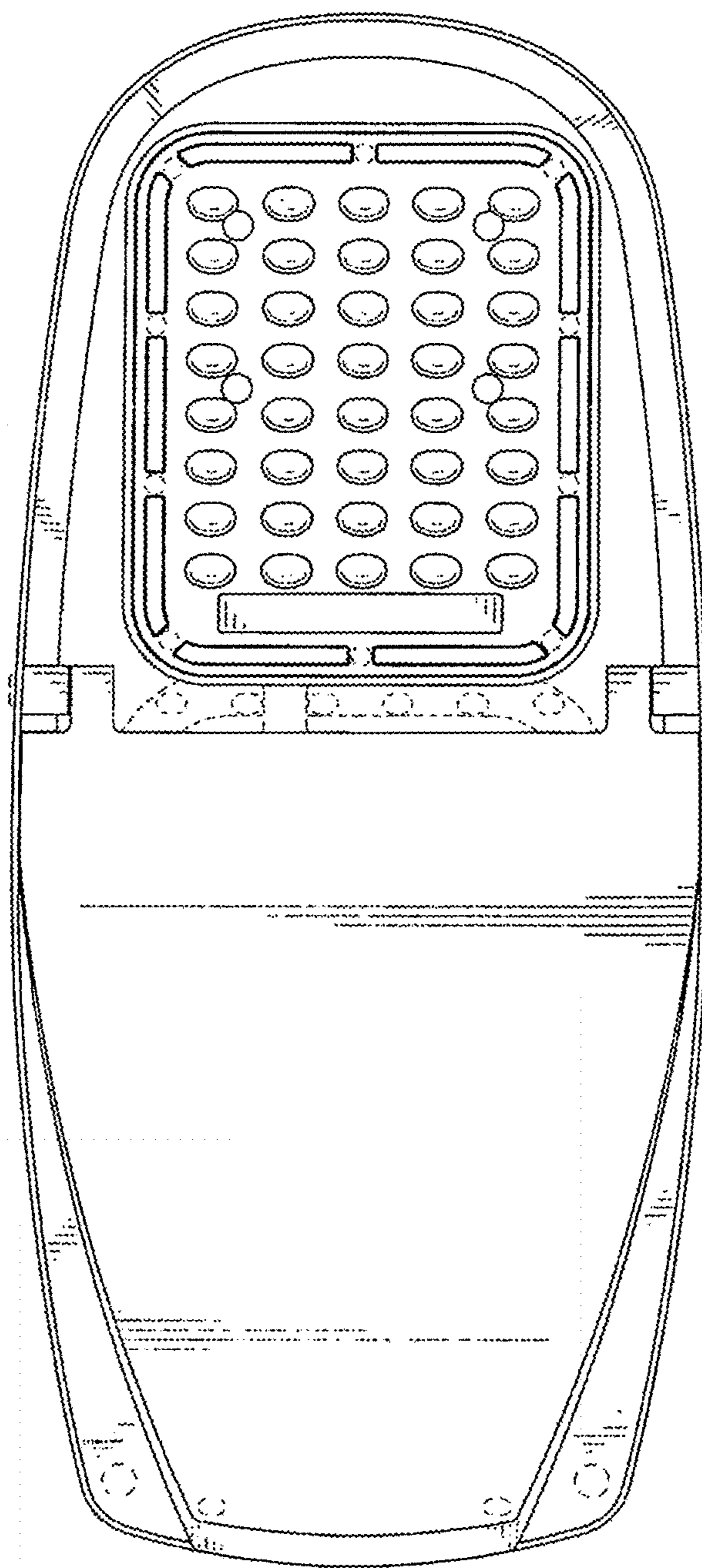


FIG. 4

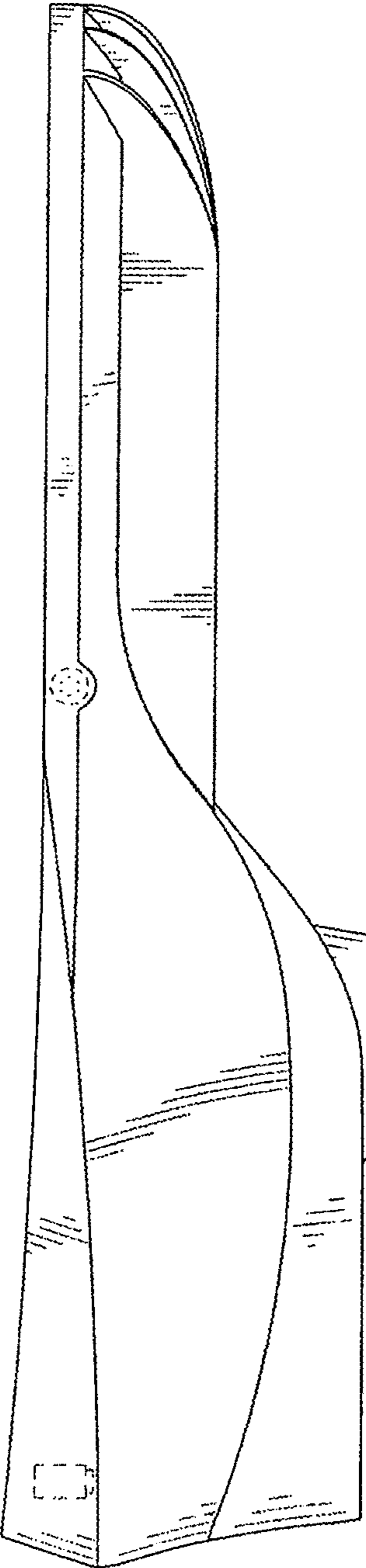


FIG. 5

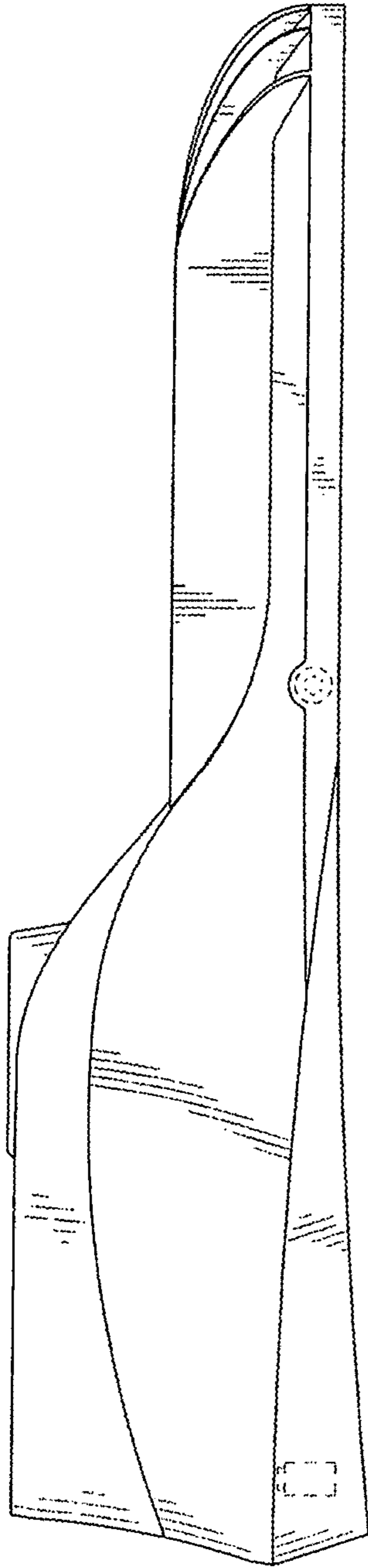


FIG. 6



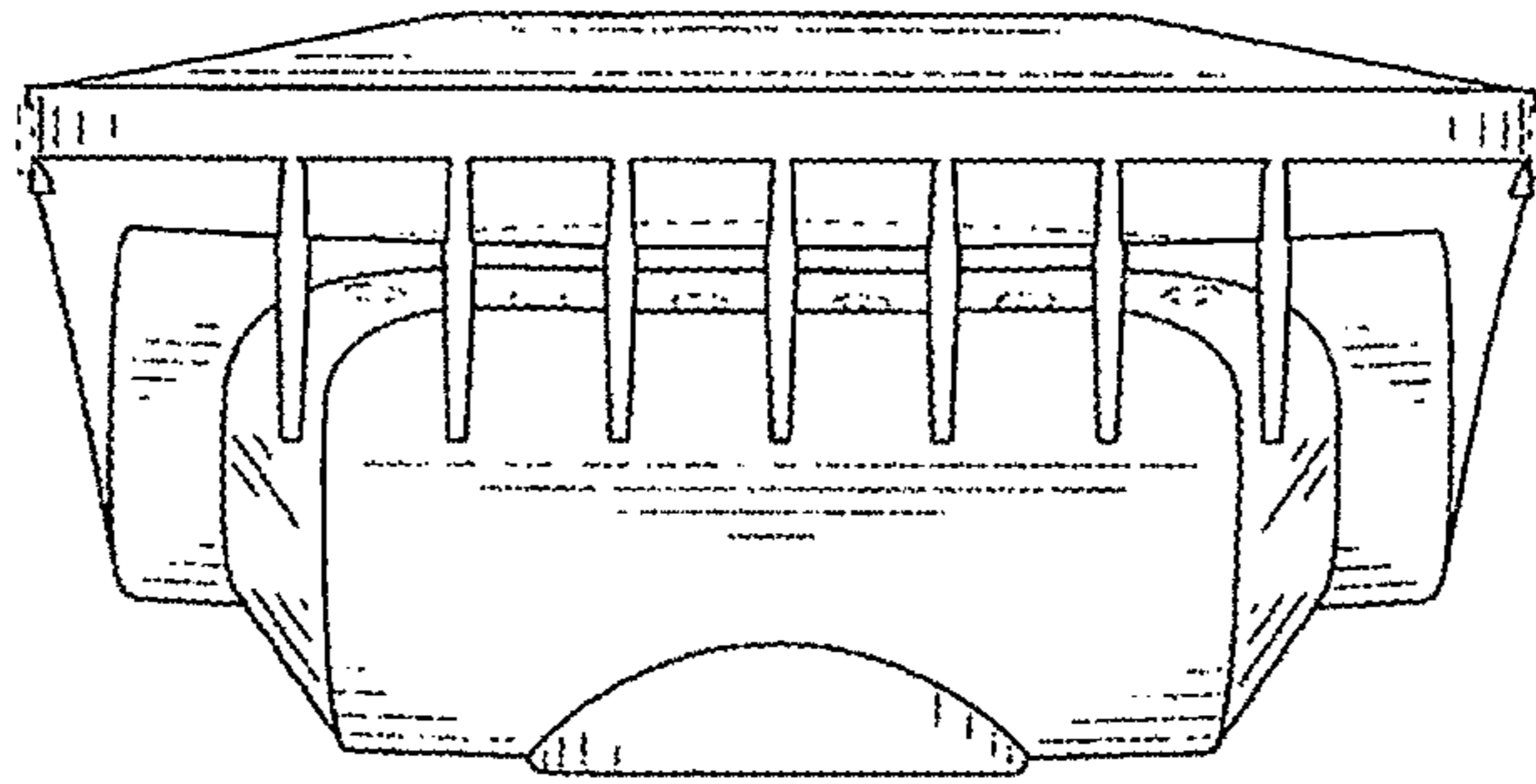


FIG. 7

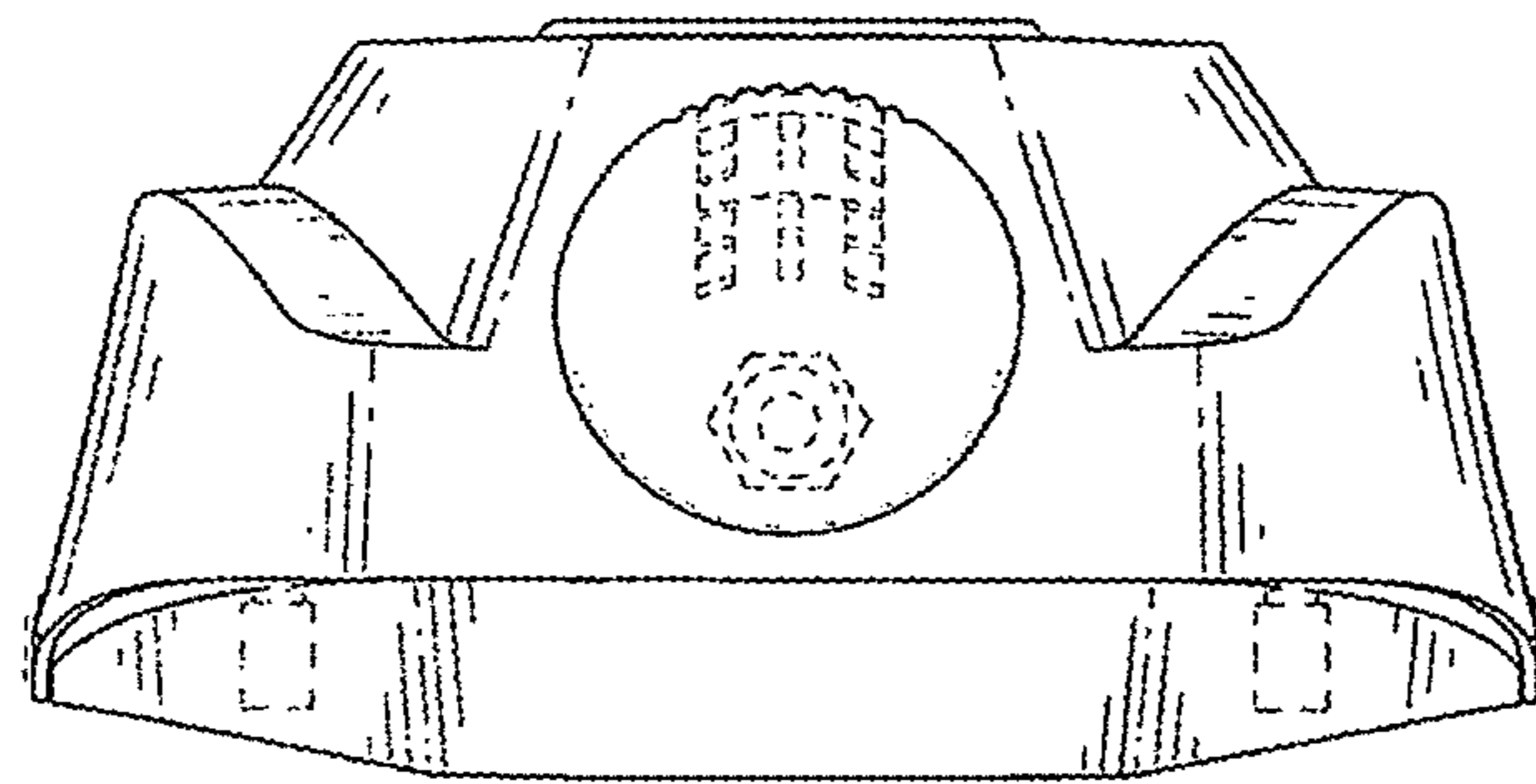


FIG. 8