



US00D818172S

(12) **United States Design Patent** (10) **Patent No.:** **US D818,172 S**
Clark et al. (45) **Date of Patent:** **** May 15, 2018**

(54) **LIGHTING FIXTURE**

(71) Applicant: **Hubbell Incorporated**, Shelton, CT (US)

(72) Inventors: **Adam J. Clark**, Bradenton, FL (US);
Perry Romano, Bradenton, FL (US);
Armin Ahrari, Chino, CA (US);
Michael D. Toth, Miami Beach, FL (US)

(73) Assignee: **Hubbell Incorporated**, Shelton, CT (US)

(**) Term: **15 Years**

(21) Appl. No.: **29/562,090**

(22) Filed: **Apr. 22, 2016**

(51) **LOC (11) Cl.** **26-05**

(52) **U.S. Cl.**
USPC **D26/71**

(58) **Field of Classification Search**
USPC D10/111-115; D13/134; D14/473;
D25/119, 126, 133, 135; D26/38, 39, 40,
D26/42, 46, 48, 51, 54, 60, 61, 63, 64,
D26/65, 66, 71, 74, 75, 78, 80, 81, 82,
D26/83, 84, 85, 86, 88, 89, 91, 113, 118,
D26/119, 120, 121, 122, 138, 141, 142,
D26/152

CPC F21S 4/28; F21S 8/026; F21S 8/031; F21S
8/036; F21S 8/043; F21V 21/04; F21V
29/74; F21V 29/75; F21V 29/83

See application file for complete search history.

(56) **References Cited**

U.S. PATENT DOCUMENTS

- D535,431 S 1/2007 Roland
- D544,985 S 6/2007 Hargreaves
- D577,146 S * 9/2008 Haugaard D26/118
- D584,444 S * 1/2009 Lipson D26/76
- D610,296 S * 2/2010 Boissevain D26/85

- D615,233 S * 5/2010 Josefowicz D26/71
- 7,726,851 B2 6/2010 Shuai
- 7,766,513 B2 8/2010 Roland
- D653,377 S * 1/2012 Guercio D26/85
- D668,370 S 10/2012 Guercio
- D670,422 S * 11/2012 Siekmann D26/76
- D672,903 S * 12/2012 Toney, Jr. D26/85
- D676,173 S * 2/2013 Akinrele D26/71
- D678,099 S 3/2013 Lee

(Continued)

FOREIGN PATENT DOCUMENTS

EP 2327930 6/2011

OTHER PUBLICATIONS

SG Sling (available online) Retrieved from the internet Jul. 17, 2017, retrieved from the internet URL: http://www.hubbelloutdoor.com/products/sg_sling.*

(Continued)

Primary Examiner — Garth Rademaker

Assistant Examiner — Richard Kearney

(74) *Attorney, Agent, or Firm* — Dority & Manning, P.A.

(57) **CLAIM**

The ornamental design for a lighting fixture, as shown and described.

DESCRIPTION

FIG. 1 is a perspective view of a lighting fixture according to our claimed design;

FIG. 2 is a top plan view thereof;

FIG. 3 is a bottom plan view thereof;

FIG. 4 is a rear elevation view thereof;

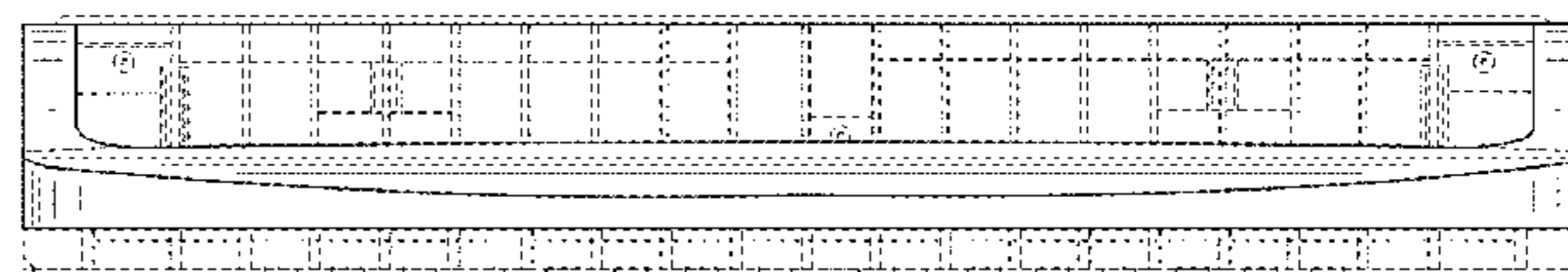
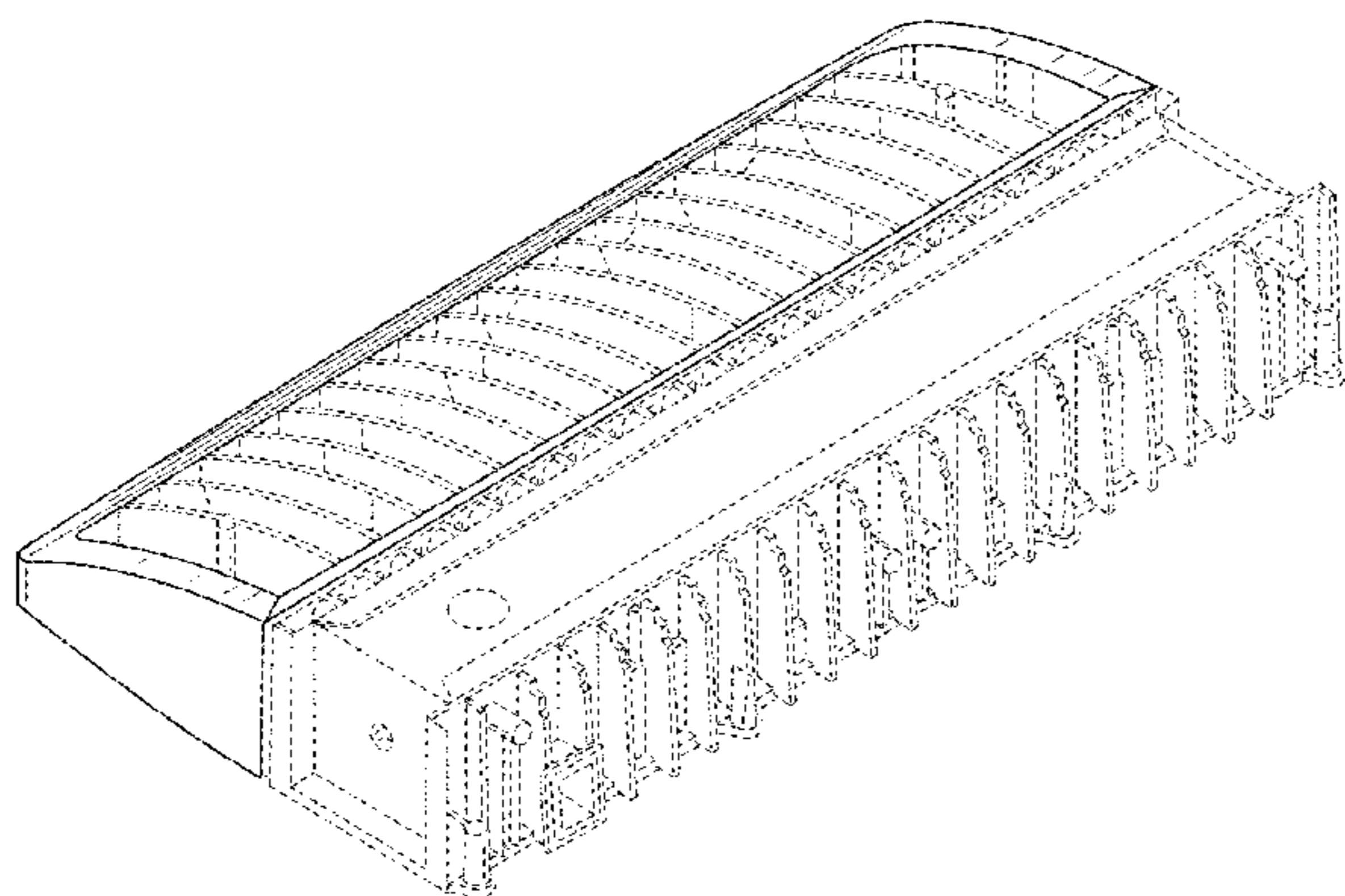
FIG. 5 is a front elevation view thereof;

FIG. 6 is a side elevation view thereof; and,

FIG. 7 is another side elevation view thereof.

The broken lines in the drawings illustrate portions of the lighting fixture that form no part of the claimed design.

1 Claim, 5 Drawing Sheets



(56)

References Cited

U.S. PATENT DOCUMENTS

8,430,532 B2 4/2013 Lee
 8,529,085 B2 9/2013 Josefowicz
 D691,320 S 10/2013 Guercio
 D721,844 S 1/2015 Lay
 9,028,096 B2 5/2015 Verdes
 D735,401 S 7/2015 Clements
 D742,270 S 11/2015 Stein
 D743,081 S 11/2015 Bembridge
 D743,084 S 11/2015 Lay
 D748,319 S 1/2016 Johnson
 D748,320 S 1/2016 Johnson
 D748,847 S 2/2016 Johnson
 D748,850 S 2/2016 Johnson
 D750,831 S 3/2016 Clements
 D752,800 S 3/2016 Yu
 D753,863 S * 4/2016 Bembridge D26/71
 D771,854 S * 11/2016 Gordin D26/63
 D774,681 S 12/2016 Liang
 D781,482 S * 3/2017 McCracken, Jr. D26/71
 D783,436 S 4/2017 Goltche

D783,881 S * 4/2017 Hollander D26/76
 D784,586 S * 4/2017 Gebhard D26/63
 D788,966 S 6/2017 Gan
 2011/0194281 A1 8/2011 Josefowicz
 2014/0247590 A1 9/2014 Wilcox
 2015/0167936 A1 6/2015 Yong
 2015/0276167 A1 10/2015 Torabifard
 2015/0292723 A1 10/2015 Yu
 2015/0308667 A1 10/2015 Corkll
 2016/0186980 A1 6/2016 Ladewig
 2016/0208998 A1 7/2016 Greinke

OTHER PUBLICATIONS

“KLUS Earns ETL Certification For Surface Mount LED Fixtures.”
 May 20, 2015, klusdesign.com, site visited Apr. 18, 2017 <<http://www.klusdesign.com/blog/klus-earns-etl-certification-for-surface-mount-led-fixtures/>>.
 “14K Low Bay Light” Dec. 3, 2014, Abel Building Solutions, site visited Apr. 18, 2017 <<https://www.abel.co.tt/product/14k-low-bay-light/>>.

* cited by examiner

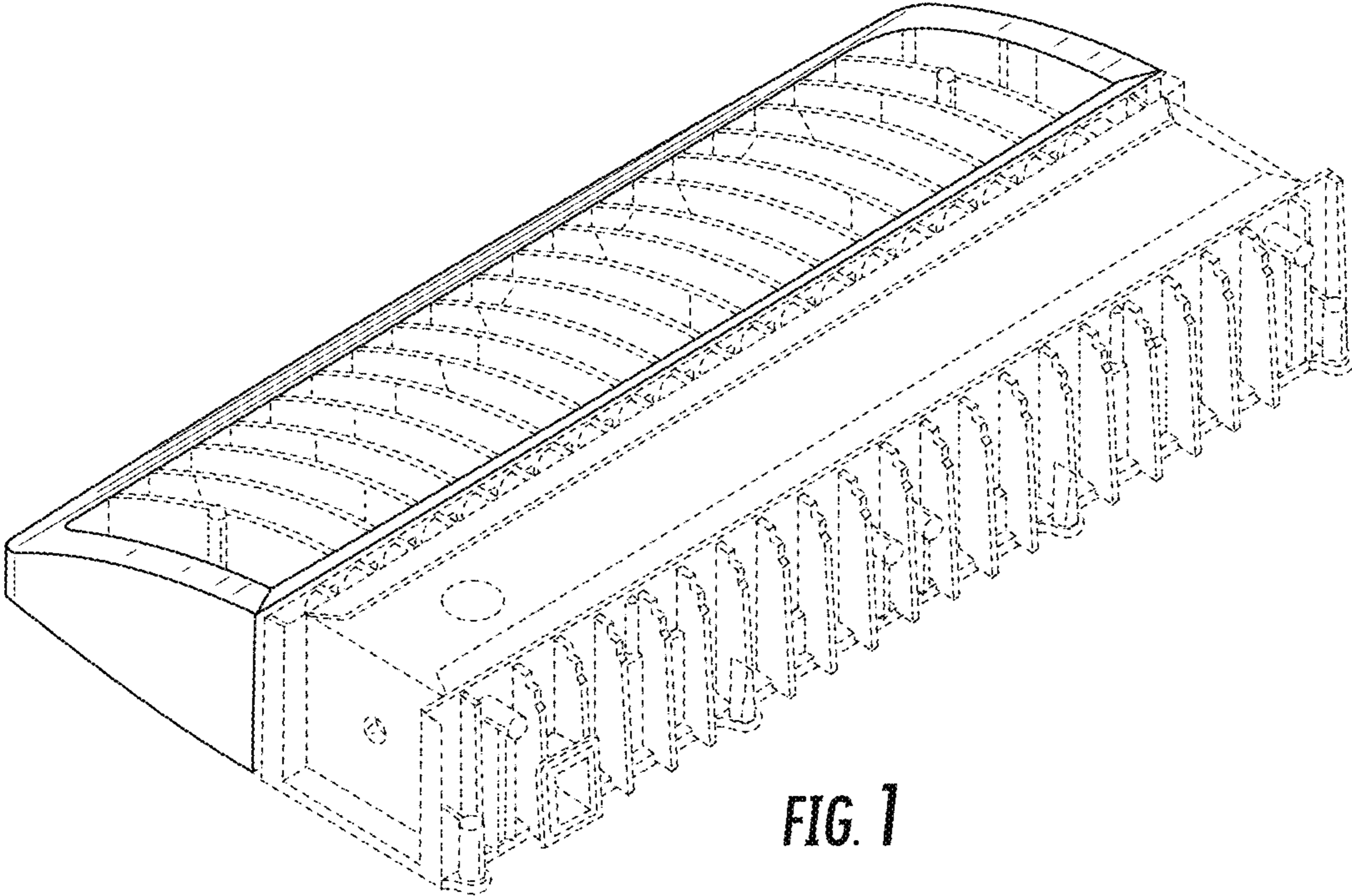


FIG. 1

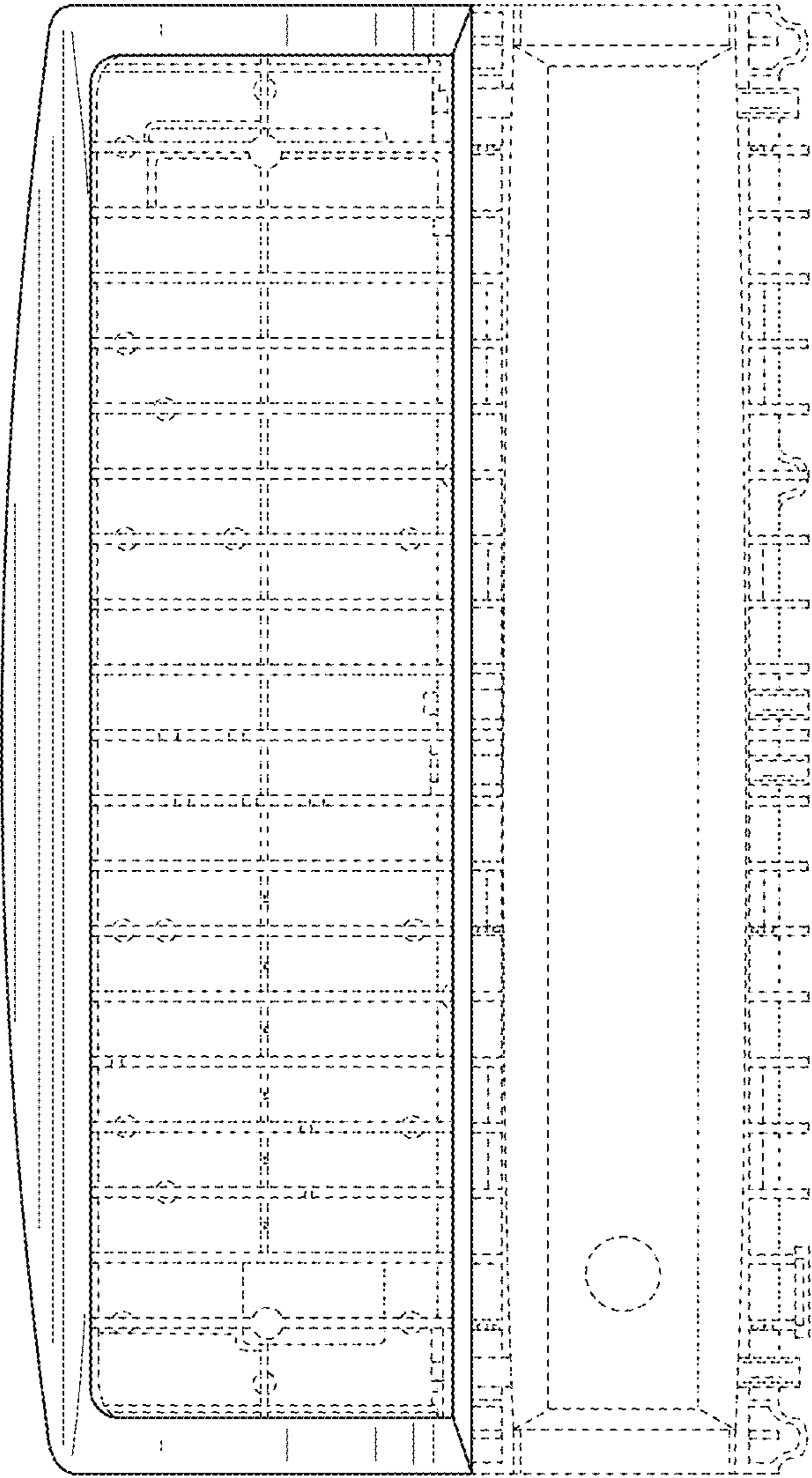


FIG. 2

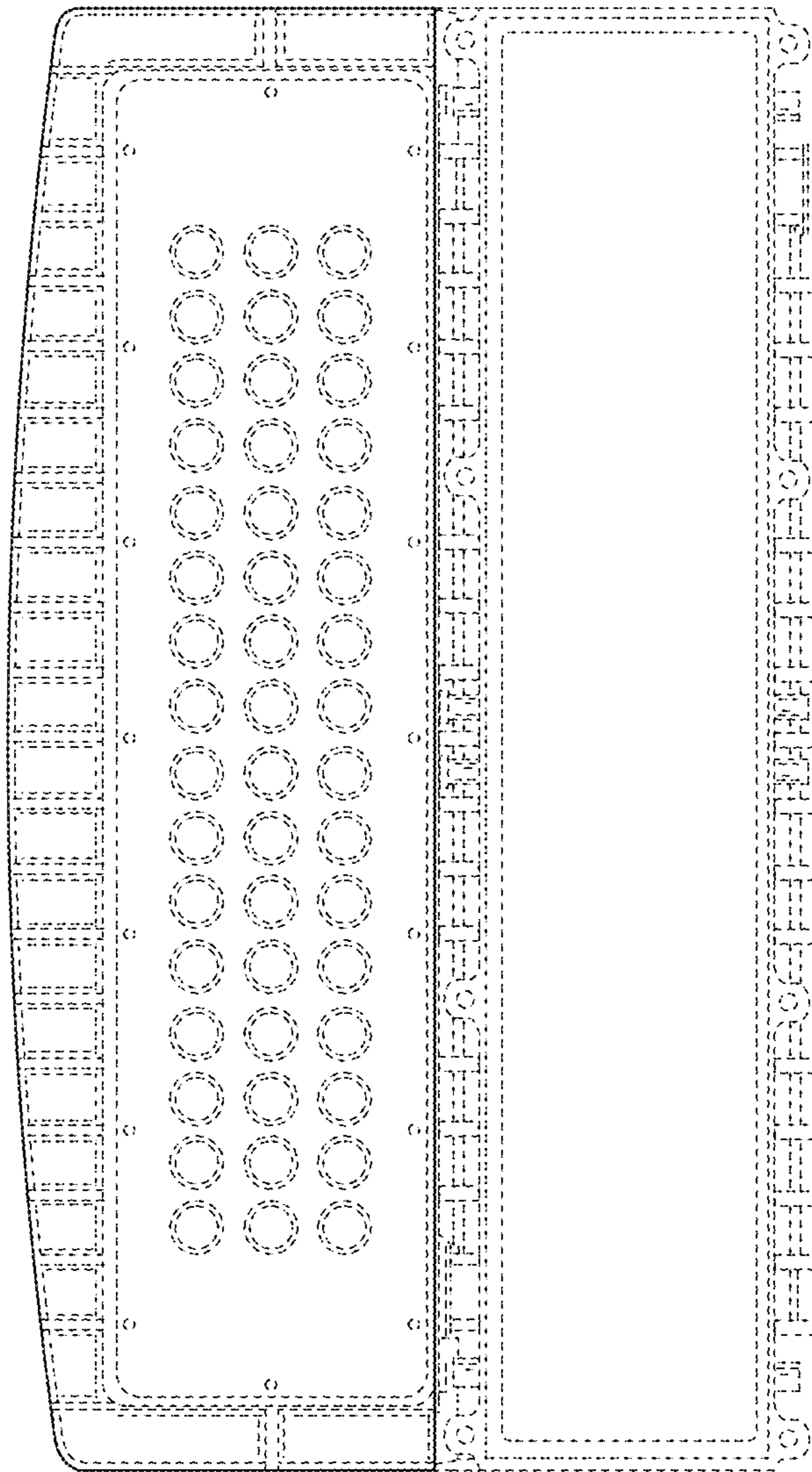


FIG. 3

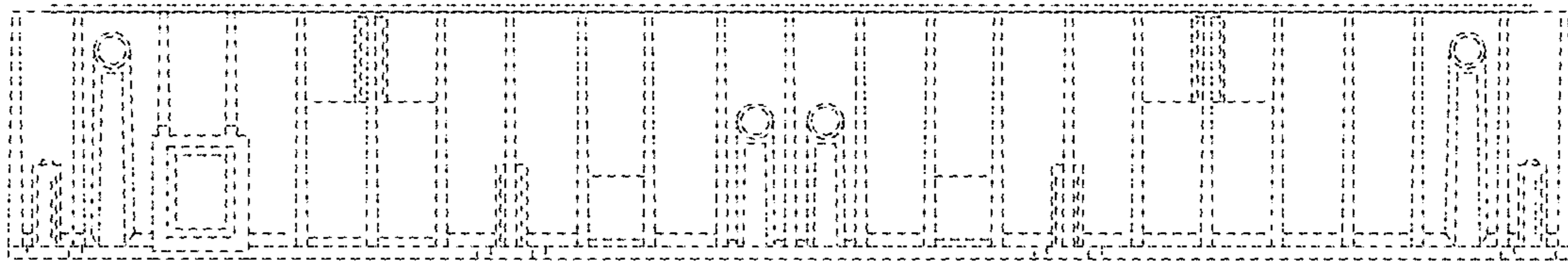


FIG. 4

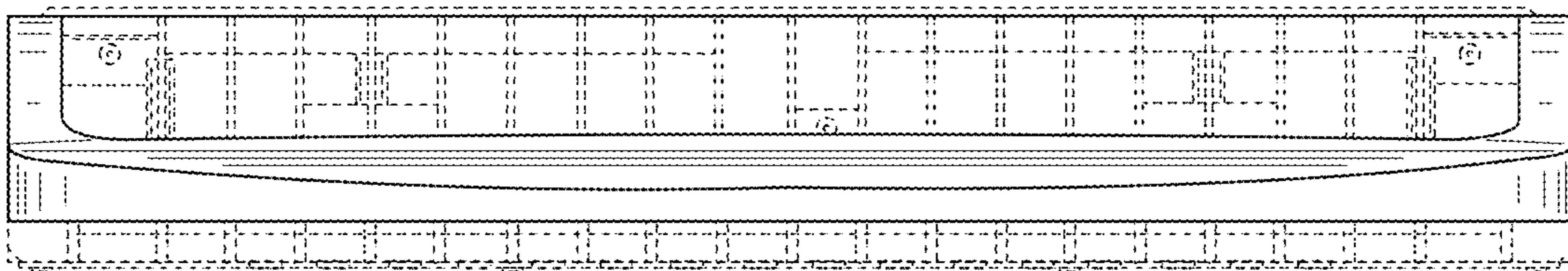


FIG. 5

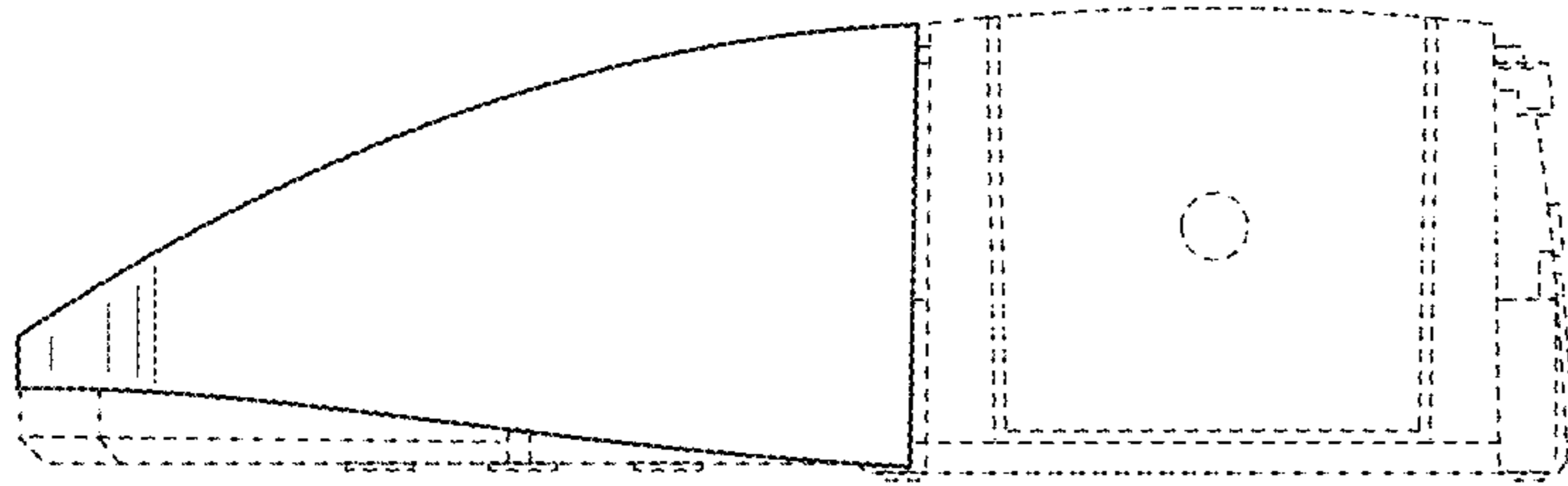


FIG. 6

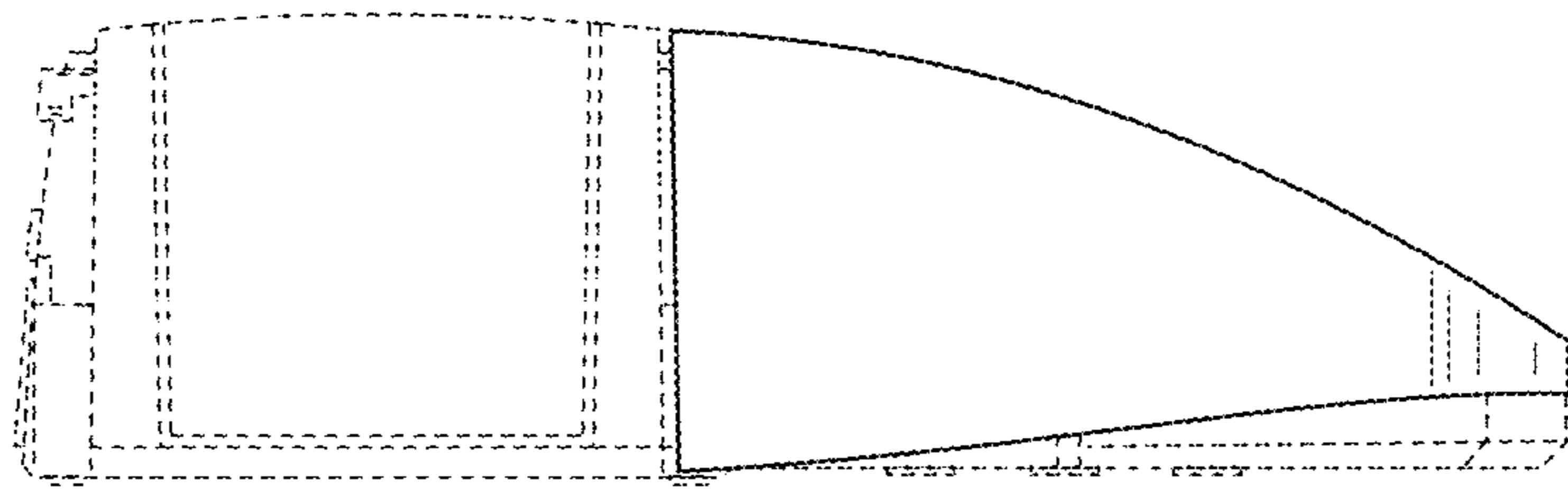


FIG. 7