



US00D818171S

(12) **United States Design Patent**
Brynjolfsson

(10) **Patent No.:** **US D818,171 S**
(45) **Date of Patent:** **** May 15, 2018**

- (54) **LANDSCAPE ACCENT LIGHT**
- (71) Applicant: **Alan Leif Brynjolfsson**, Tampa, FL
(US)
- (72) Inventor: **Alan Leif Brynjolfsson**, Tampa, FL
(US)
- (**) Term: **15 Years**
- (21) Appl. No.: **29/580,823**
- (22) Filed: **Oct. 13, 2016**
- (51) **LOC (11) Cl.** **26-06**
- (52) **U.S. Cl.**
USPC **D26/63; D26/67**
- (58) **Field of Classification Search**
USPC D26/63, 67, 68, 128, 118, 138
CPC F21S 8/003; F21S 8/08; F21S 8/081; F21S
8/083; F21S 9/03; F21S 9/032; F21S
9/035; F21S 9/037; F21S 10/007; F21V
21/0824; F21V 21/26; F21V 21/30;
F21W 2121/004; F21W 2121/006; F21W
2121/008; F21W 2131/10; F21W
2131/109; G02B 27/20; G03B 21/56
See application file for complete search history.

- D590,979 S 4/2009 Mullen
- D625,871 S 10/2010 Huang
- D659,871 S 5/2012 Lee et al.
- D667,981 S 9/2012 Connolly et al.
- (Continued)

OTHER PUBLICATIONS

Volt "Product Specifications: VOLT Low Voltage Lighting Infiniti G3 Integrated LED Directional Lights VAL-20xx-Axx Series," Copyright 2015, all enclosed pages cited.
(Continued)

Primary Examiner — Clare E Heflin
(74) *Attorney, Agent, or Firm* — Nelson Mullins Riley & Scarborough, LLP

(57) **CLAIM**

The ornamental design of a landscape accent light, substantially as shown and described.

DESCRIPTION

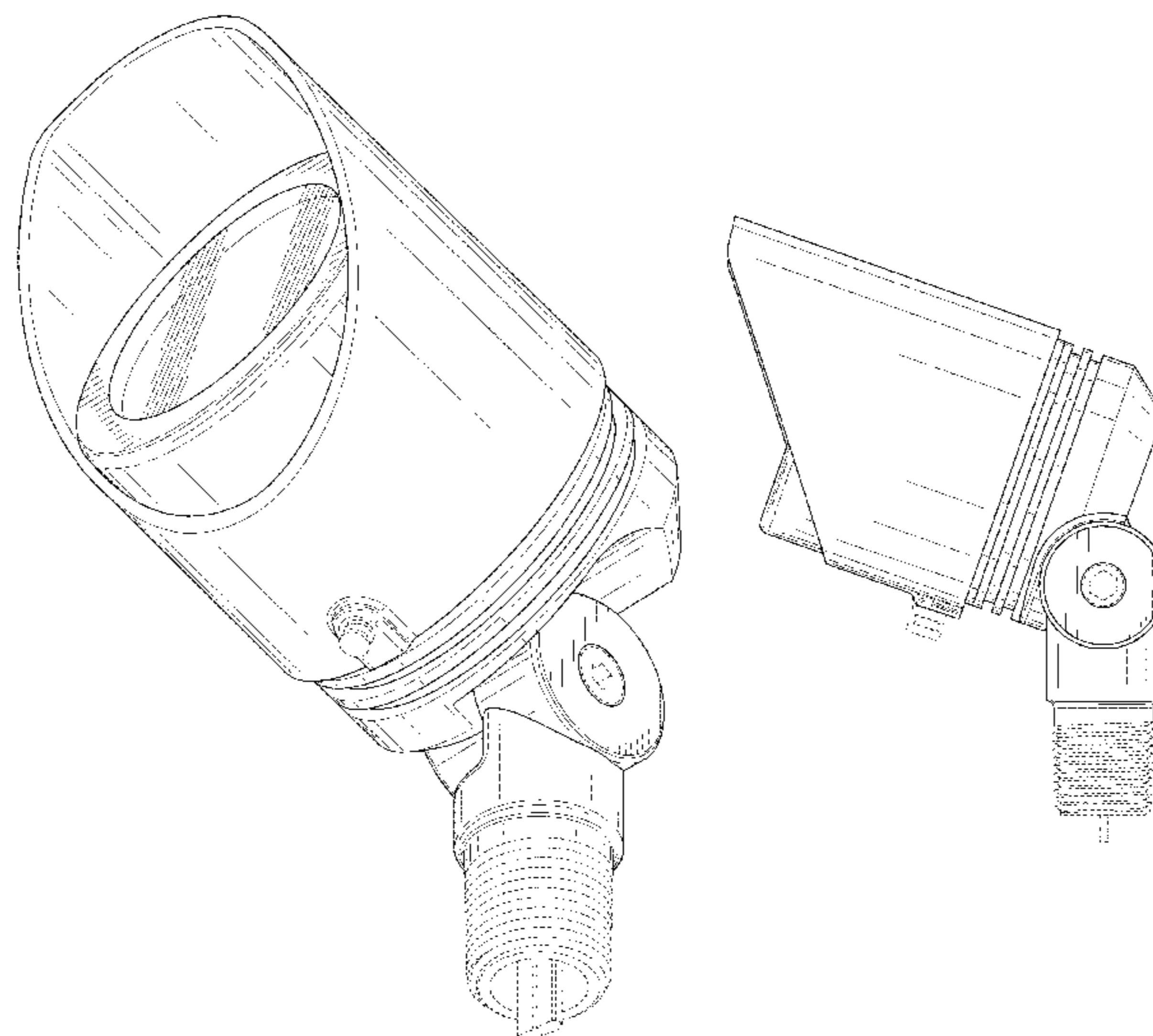
FIG. 1 is a front perspective view of a landscape accent light embodying the design of the present invention. FIG. 2 is a front side elevational view of the landscape accent light illustrated in FIG. 1. FIG. 3 is a back side elevational view of the landscape accent light illustrated in FIG. 1. FIG. 4 is a right side elevational view of the landscape accent light illustrated in FIG. 1. FIG. 5 is a left side elevational view of the landscape accent light illustrated in FIG. 1. FIG. 6 is a bottom view of the landscape accent light illustrated in FIG. 1; and, FIG. 7 is a top view of the landscape accent light illustrated in FIG. 1. The broken lines shown on the drawings depict portions of the landscape accent light that form no part of the claimed design.

(56) **References Cited**

U.S. PATENT DOCUMENTS

- D233,779 S * 11/1974 Kennedy et al. D26/63
- D234,710 S * 4/1975 Beeren D26/63
- D333,529 S * 2/1993 Denison D26/63
- D370,070 S 5/1996 Kay
- D389,268 S * 1/1998 Kay D26/118
- D414,579 S 9/1999 Denison et al.
- D417,519 S 12/1999 Cutler
- D427,696 S 7/2000 Scott et al.
- D435,925 S 1/2001 Hiller et al.
- 6,502,965 B1 * 1/2003 Bradford F21V 7/10
362/277
- D495,079 S * 8/2004 Mullen D26/63
- D507,668 S 7/2005 Kwong
- D574,532 S 8/2008 Lee et al.

1 Claim, 6 Drawing Sheets



(56)

References Cited

U.S. PATENT DOCUMENTS

D698,477 S	1/2014	Korpi	
D723,726 S	3/2015	Reed et al.	
D748,838 S	2/2016	Brynjolfsson	
2005/0103378 A1 *	5/2005	Pu	F21S 9/032 136/244
2013/0208489 A1 *	8/2013	Schmuckle	F21V 21/02 362/363
2015/0260385 A1 *	9/2015	Brynjolfsson	F21V 23/045 315/152

OTHER PUBLICATIONS

Co-pending design patent application filed Apr. 26, 2016 with U.S. Appl. No. 29/562,522, all enclosed pages cited.

* cited by examiner

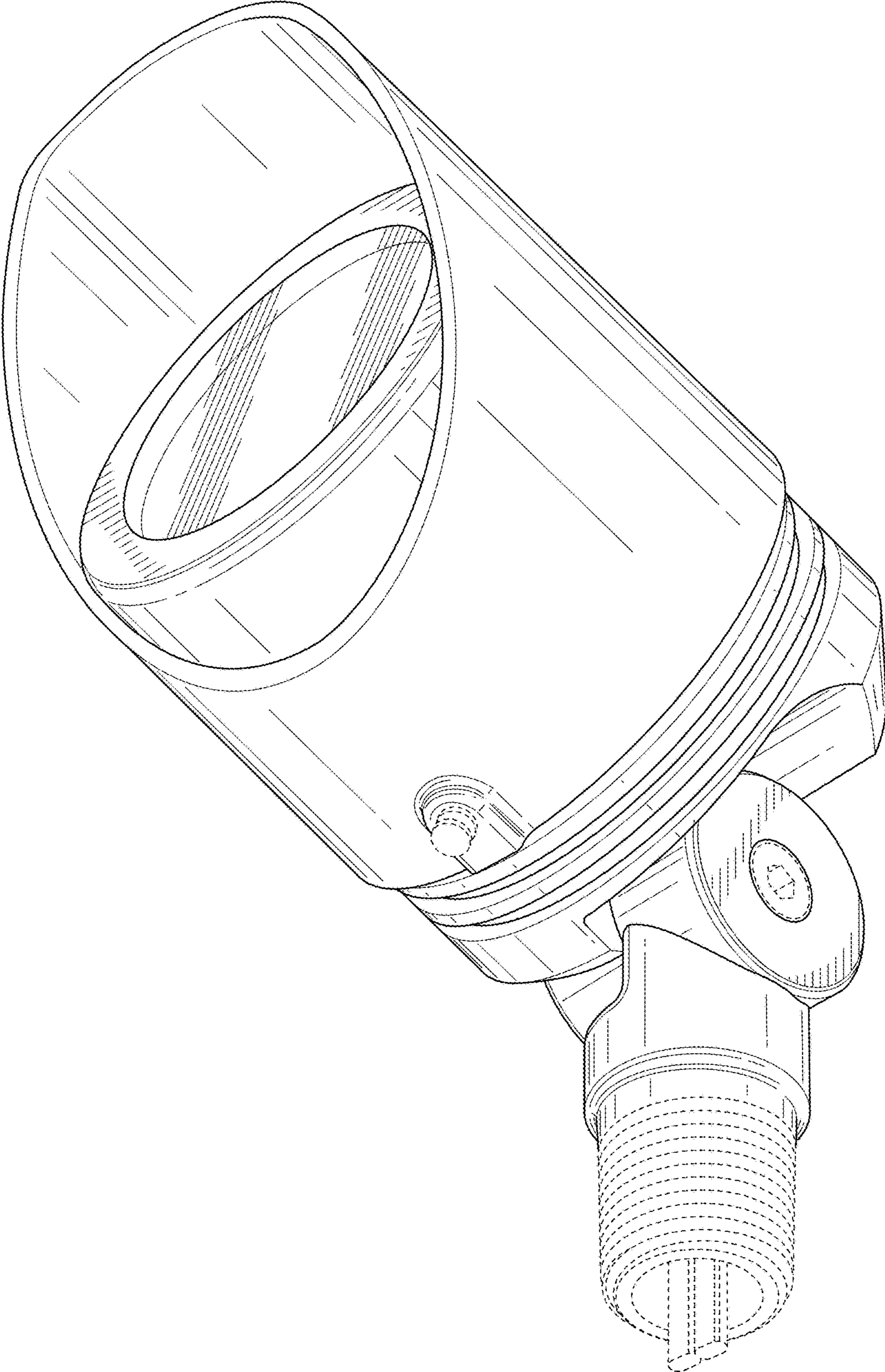


FIG. 1

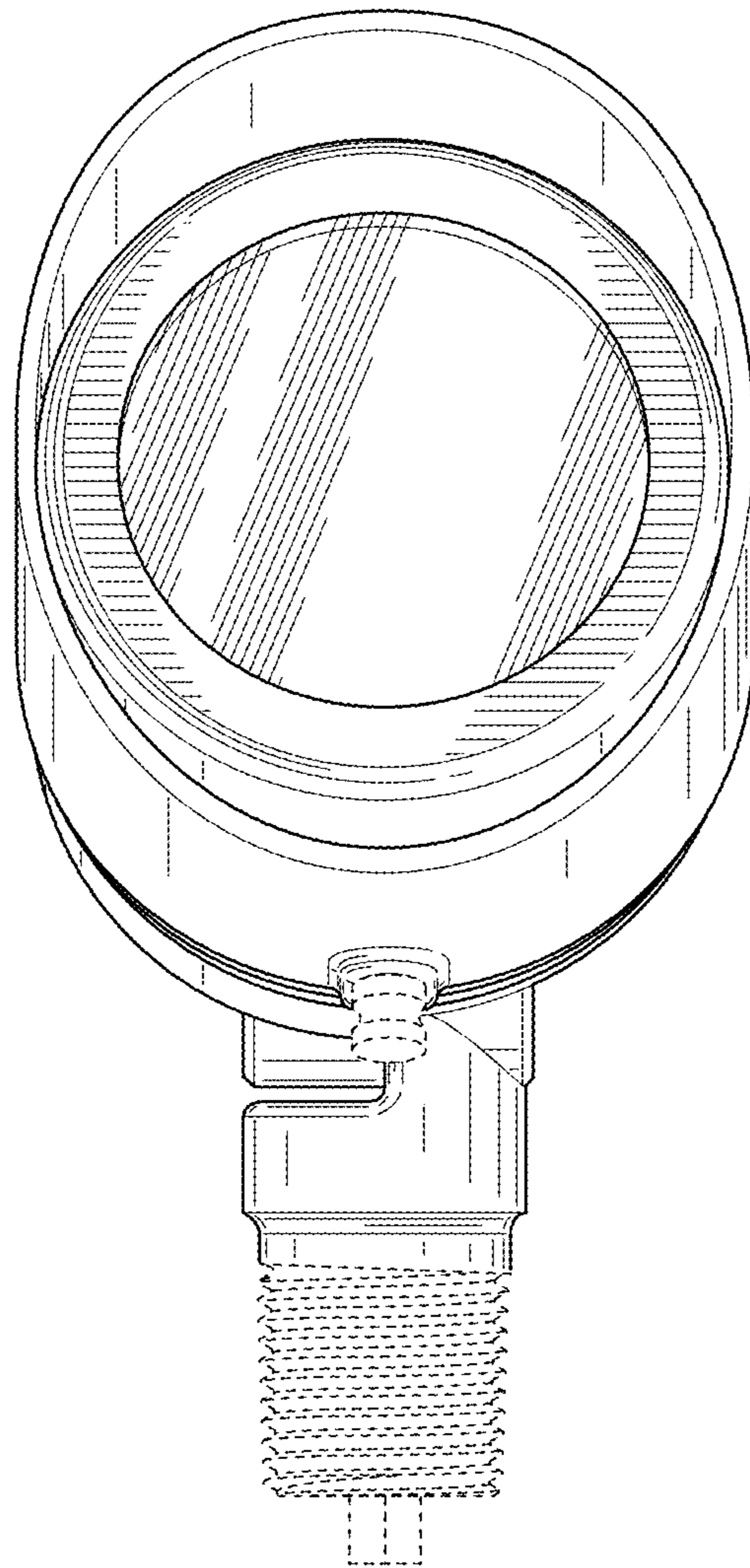


FIG. 2

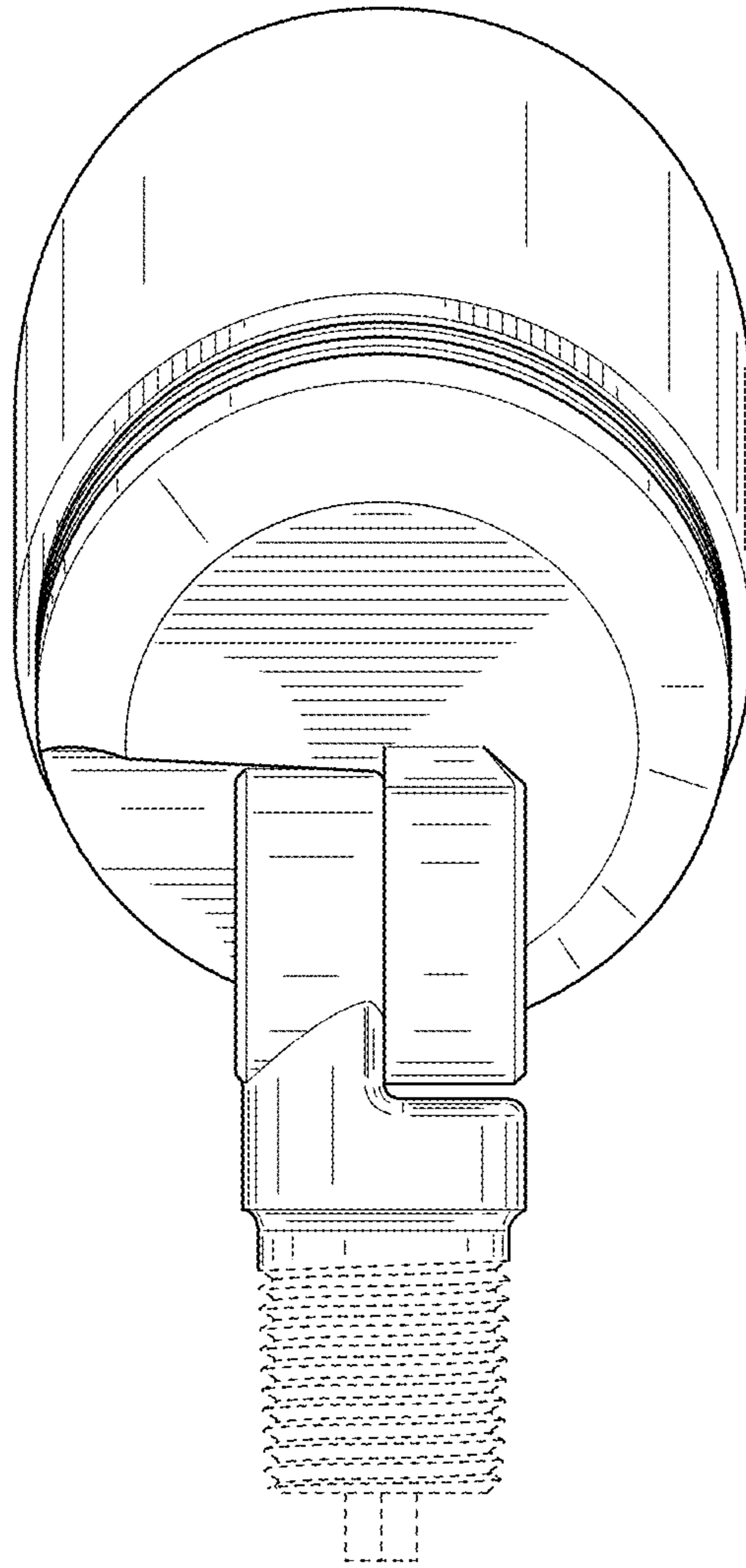


FIG. 3

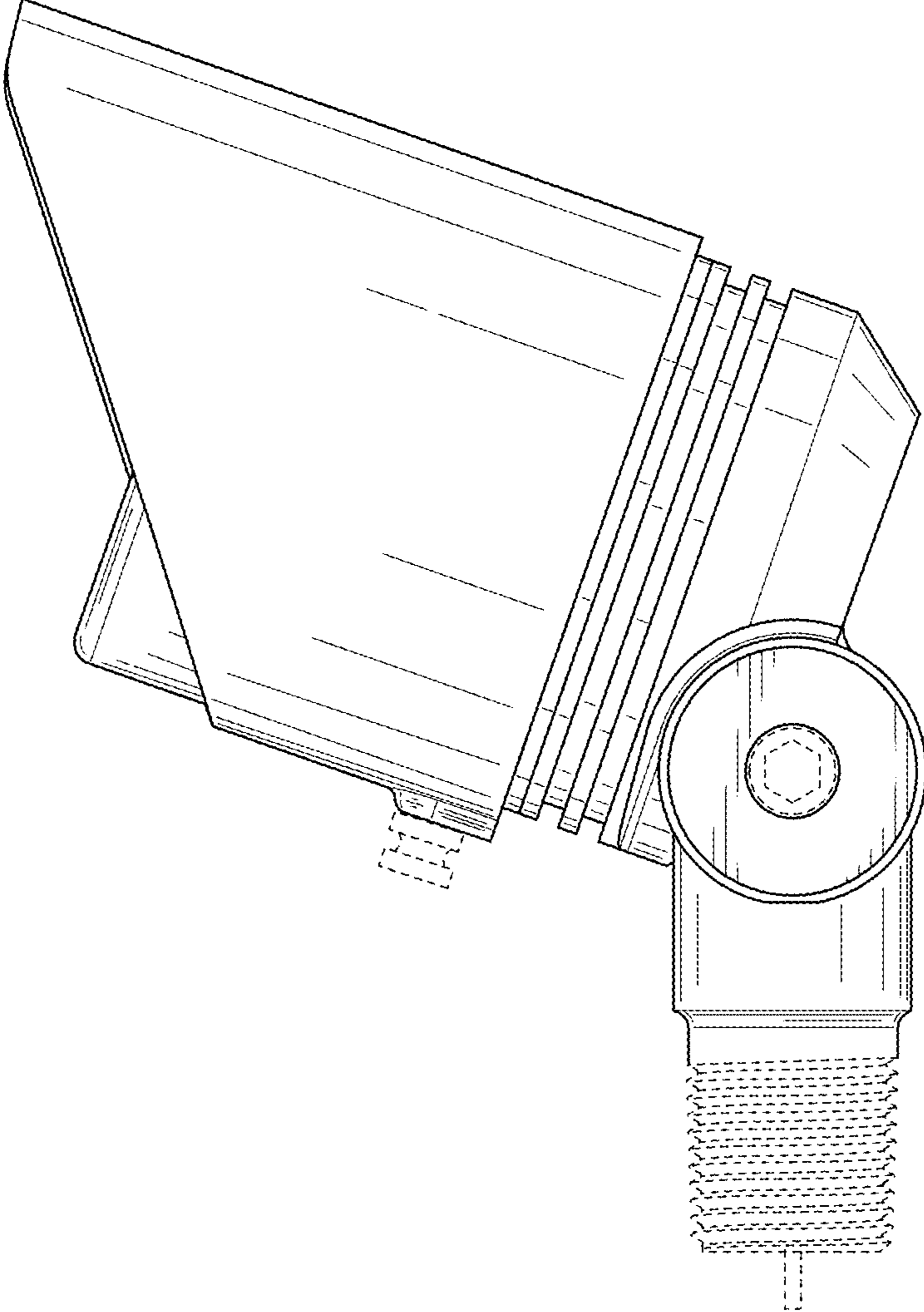


FIG. 4

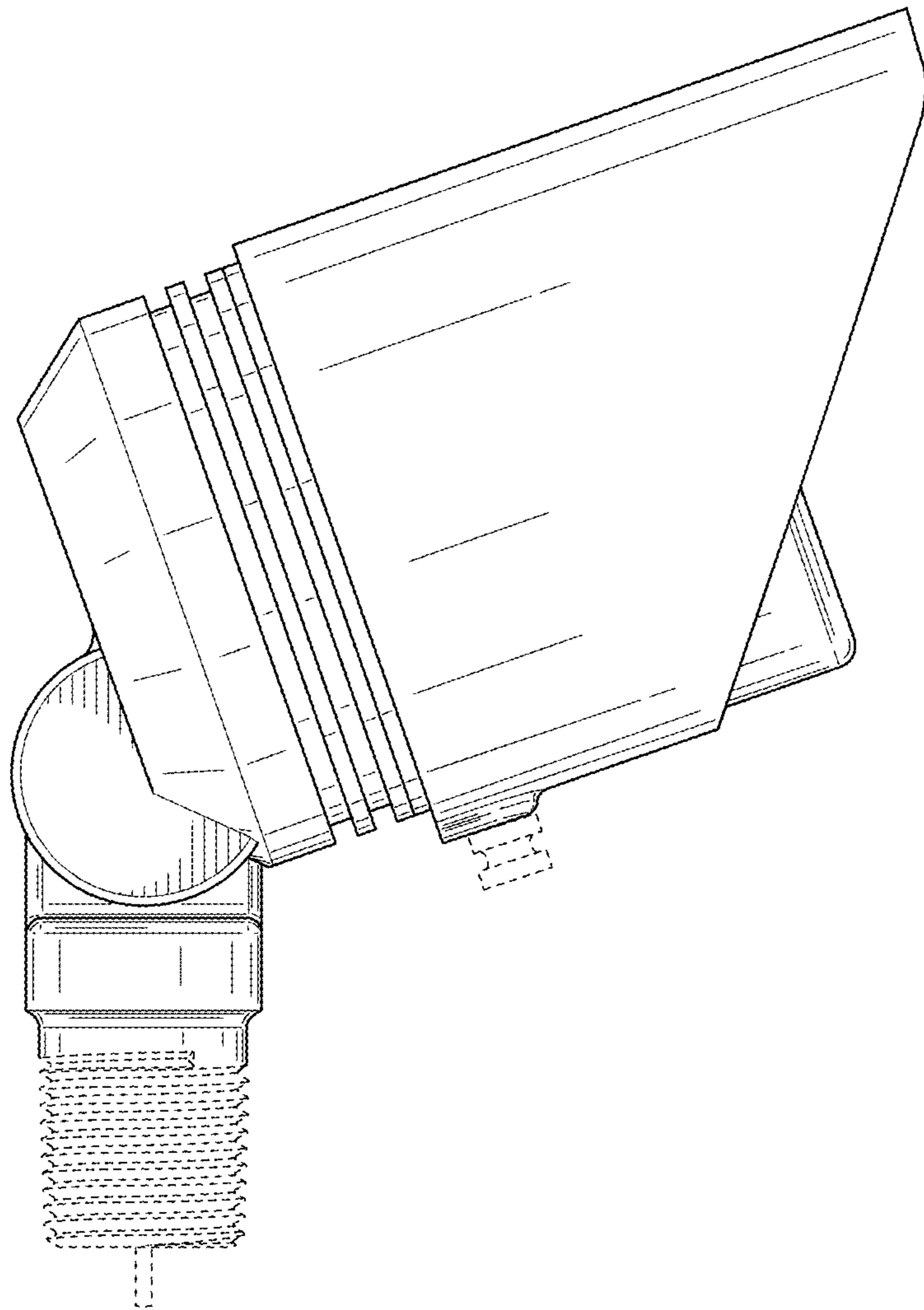


FIG. 5

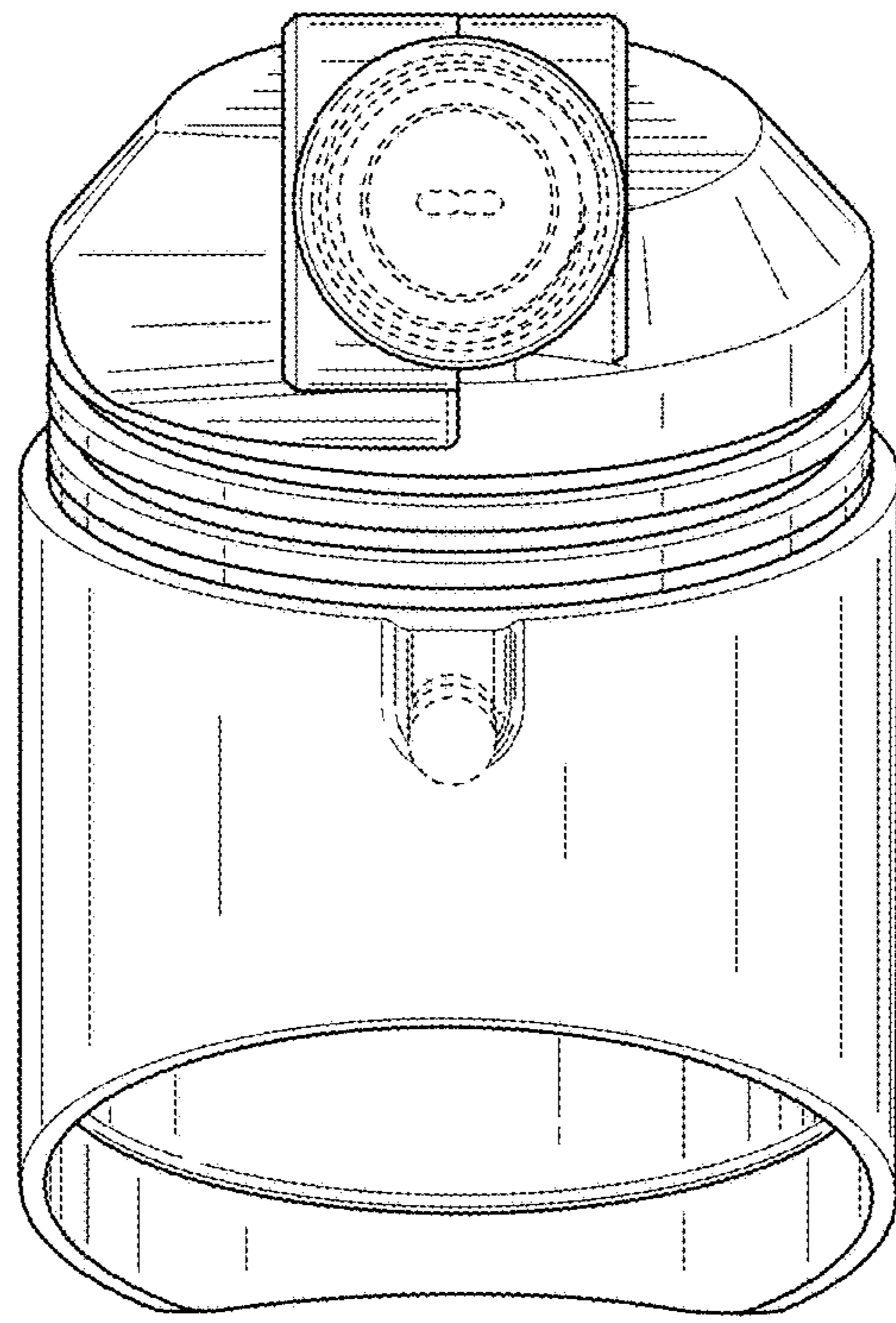


FIG. 6

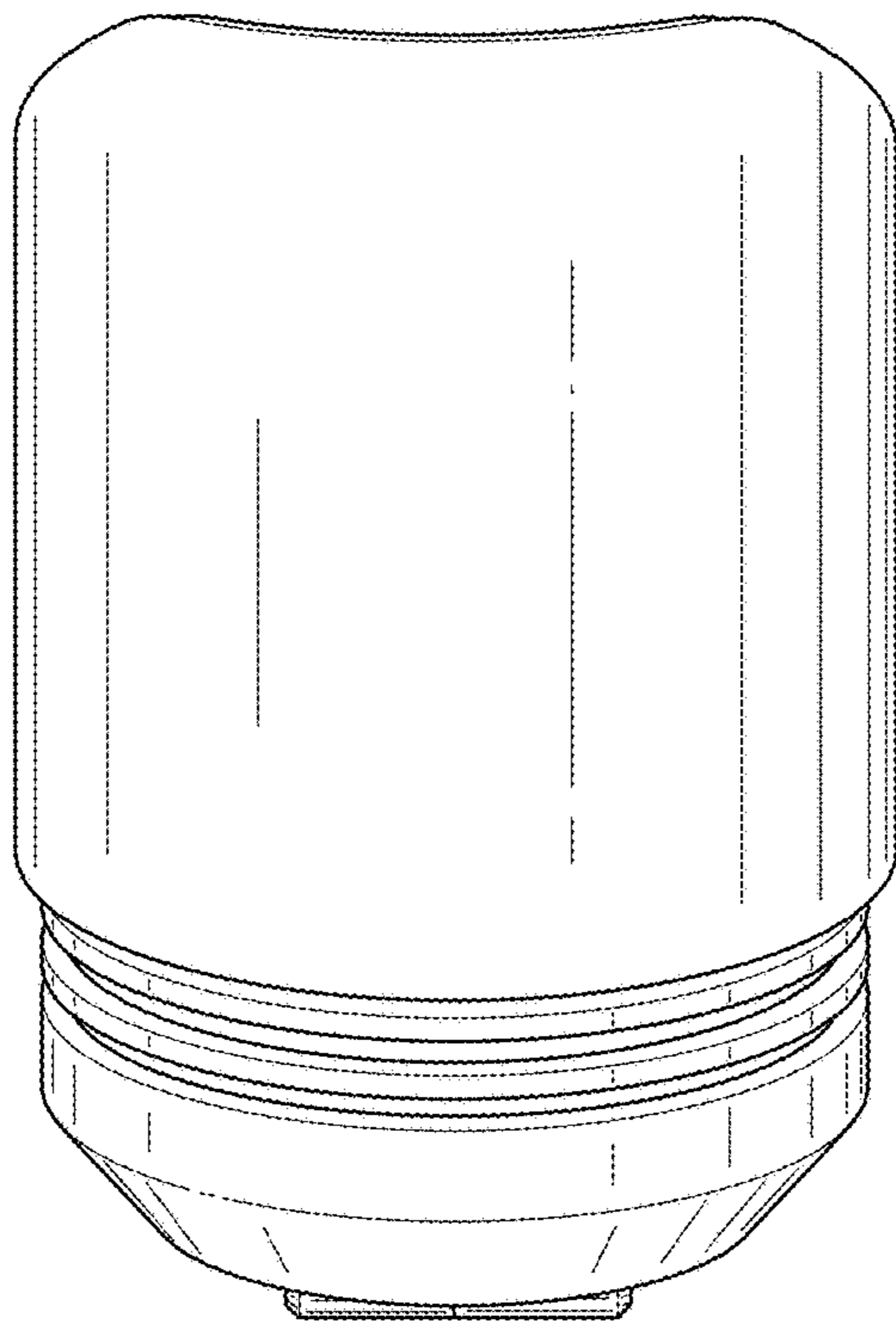


FIG. 7