



US00D818170S

(12) **United States Design Patent**
Mou

(10) **Patent No.:** **US D818,170 S**

(45) **Date of Patent:** **** May 15, 2018**

(54) **LIGHT-EMITTING DIODE WALL LAMP**

(71) Applicant: **NINGBO ROYALUX LIGHTING CO., LTD.**, Ningbo, Zhejiang (CN)

(72) Inventor: **Jinhong Mou**, Zhejiang (CN)

(73) Assignee: **NINGBO ROYALUX LIGHTING CO., LTD.**, Ningbo, Zhejiang (CN)

(**) Term: **15 Years**

(21) Appl. No.: **29/568,389**

(22) Filed: **Jun. 17, 2016**

(30) **Foreign Application Priority Data**

Mar. 18, 2016 (CN) 2016 3 0086721

(51) **LOC (11) Cl.** **26-03**

(52) **U.S. Cl.**
USPC **D26/63**

(58) **Field of Classification Search**
USPC D26/72, 76, 77, 78, 80, 85, 89, 142, 121,
D26/122, 60-63

CPC F21S 8/03; F21S 8/031; F21S 8/033; F21S
8/036; F21S 9/03; F21S 9/037; F21V
21/025; F21V 17/08; F21V 17/10

See application file for complete search history.

(56) **References Cited**

U.S. PATENT DOCUMENTS

D204,793 S * 5/1966 Rodriguez D26/63
D265,428 S * 7/1982 Eickmeyer D26/63
D377,990 S * 2/1997 Nakano D26/65

D439,355 S * 3/2001 Ford D26/63
D456,546 S * 4/2002 Bernard D26/64
D459,513 S * 6/2002 Newhouse D26/60
D472,339 S * 3/2003 Russello D26/63
D628,333 S * 11/2010 Bretschneider D26/63
D700,985 S * 3/2014 Lindsley D26/63
D704,369 S * 5/2014 Lindsley D26/63

* cited by examiner

Primary Examiner — Brian N. Vinson

(74) *Attorney, Agent, or Firm* — U.S. Fairsky LLP; Yue Xu

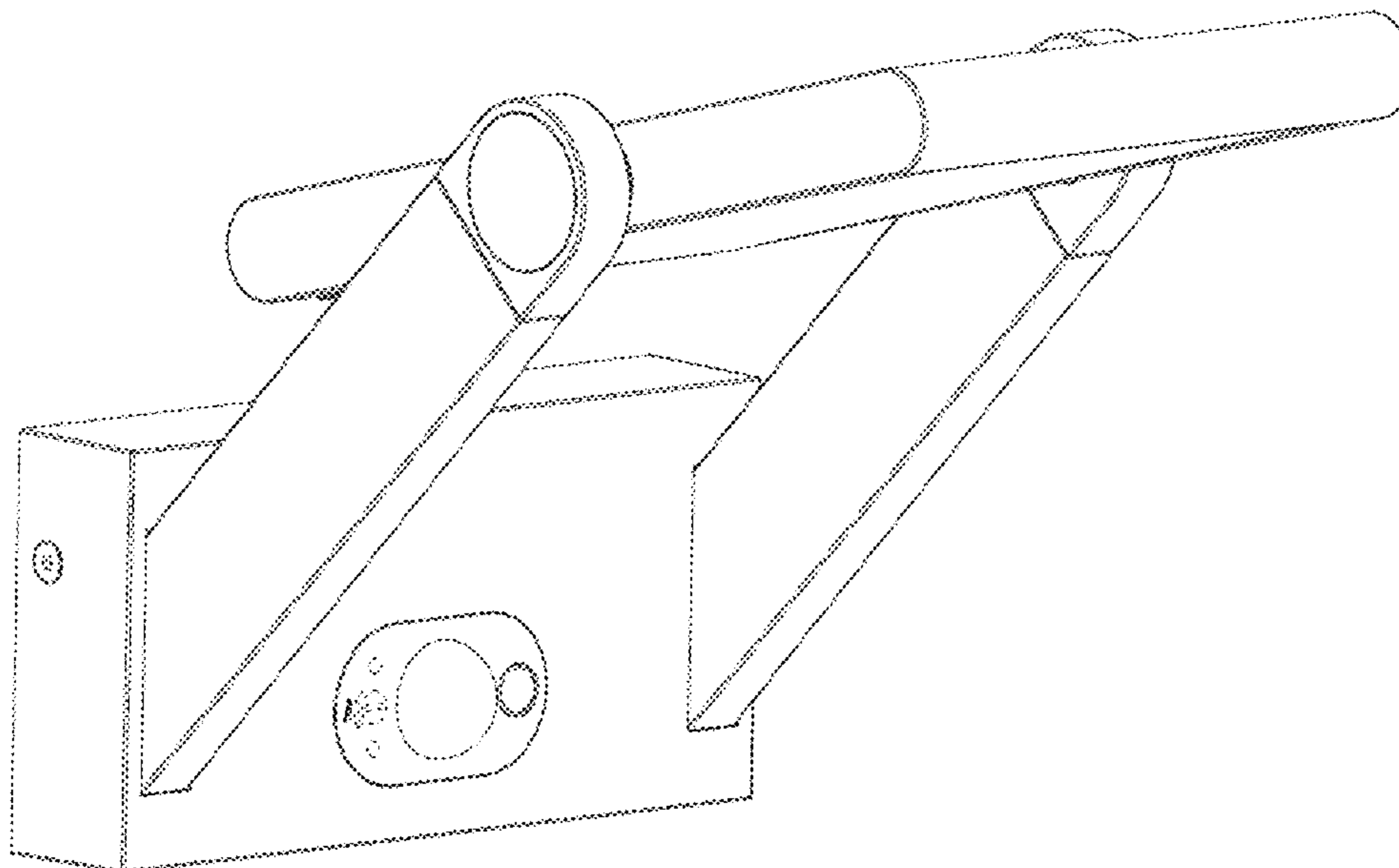
(57) **CLAIM**

The ornamental design for a light-emitting diode wall lamp, as shown and described.

DESCRIPTION

FIG. 1 is a front view of a light-emitting diode wall lamp according to the present application; FIG. 2 is a rear view of the light-emitting diode wall lamp according to the present application; FIG. 3 is a left view of the light-emitting diode wall lamp according to the present application; FIG. 4 is a right view of the light-emitting diode wall lamp according to the present application; FIG. 5 is a top view of the light-emitting diode wall lamp according to the present application; FIG. 6 is a bottom view of the light-emitting diode wall lamp according to the present application; and, FIG. 7 is a perspective view of the light-emitting diode wall lamp according to the present application. The broken lines in the drawings depict portions of the light-emitting diode wall lamp that form no part of the claimed design.

1 Claim, 7 Drawing Sheets



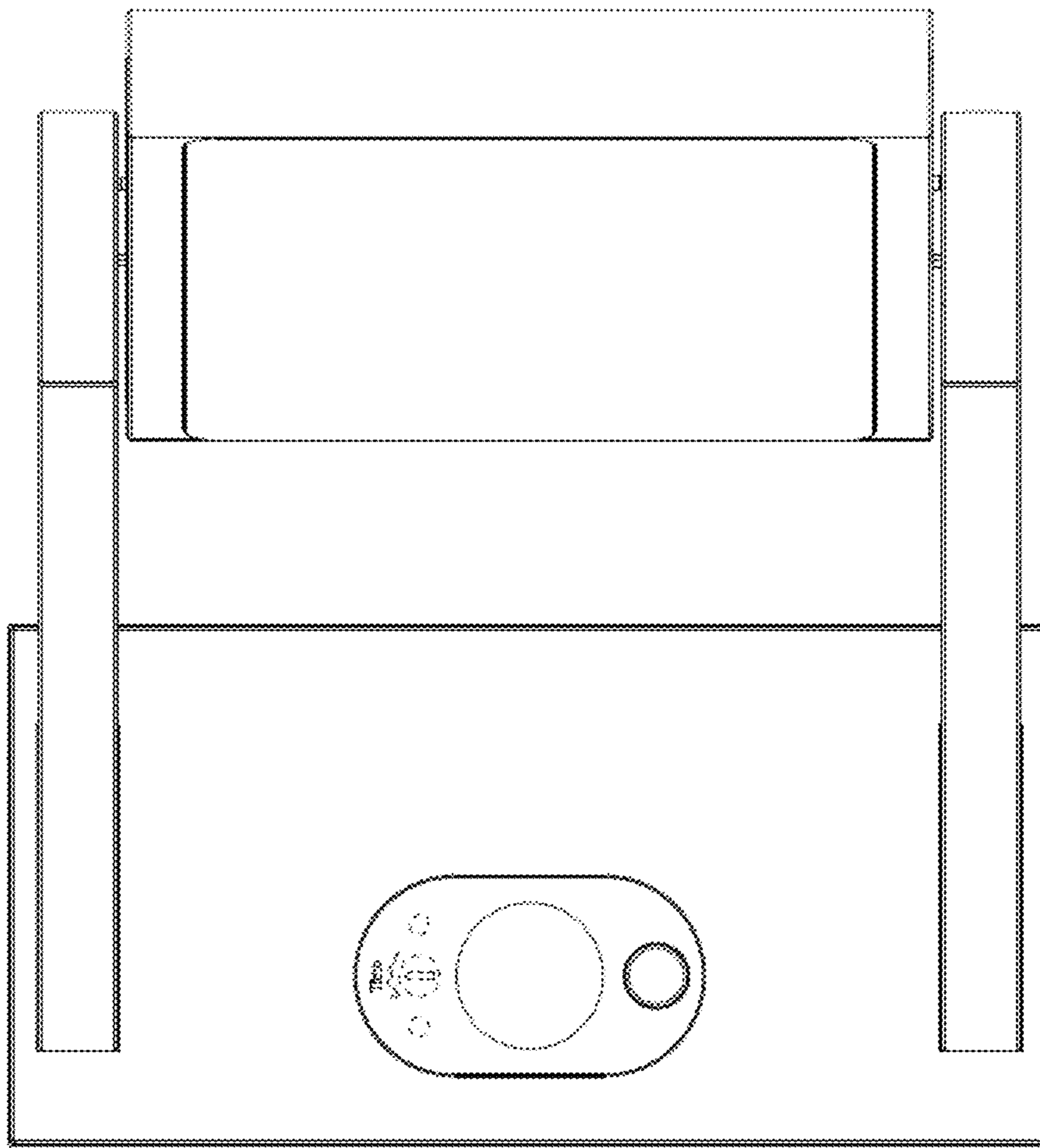


Figure 1

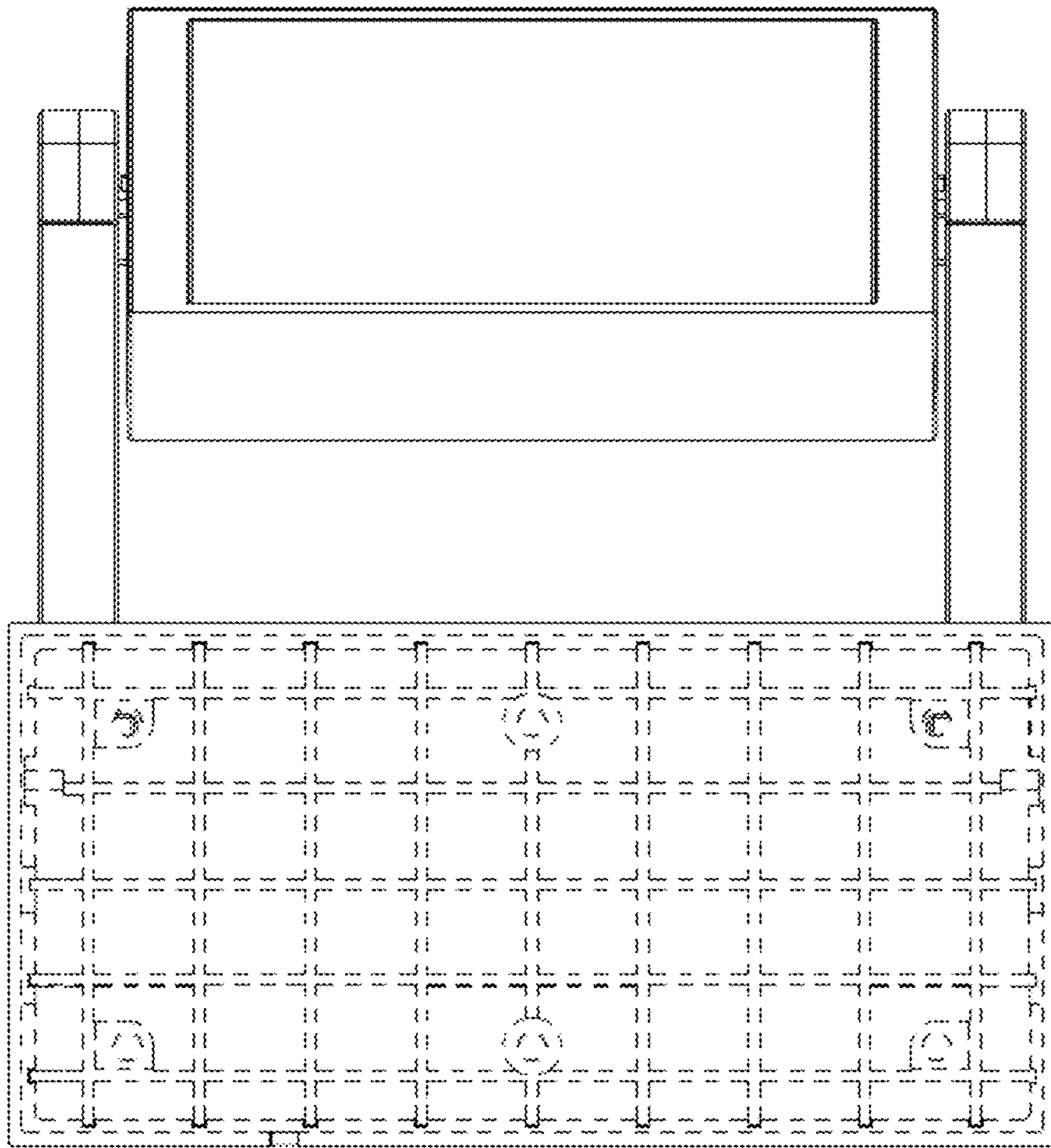


Figure 2

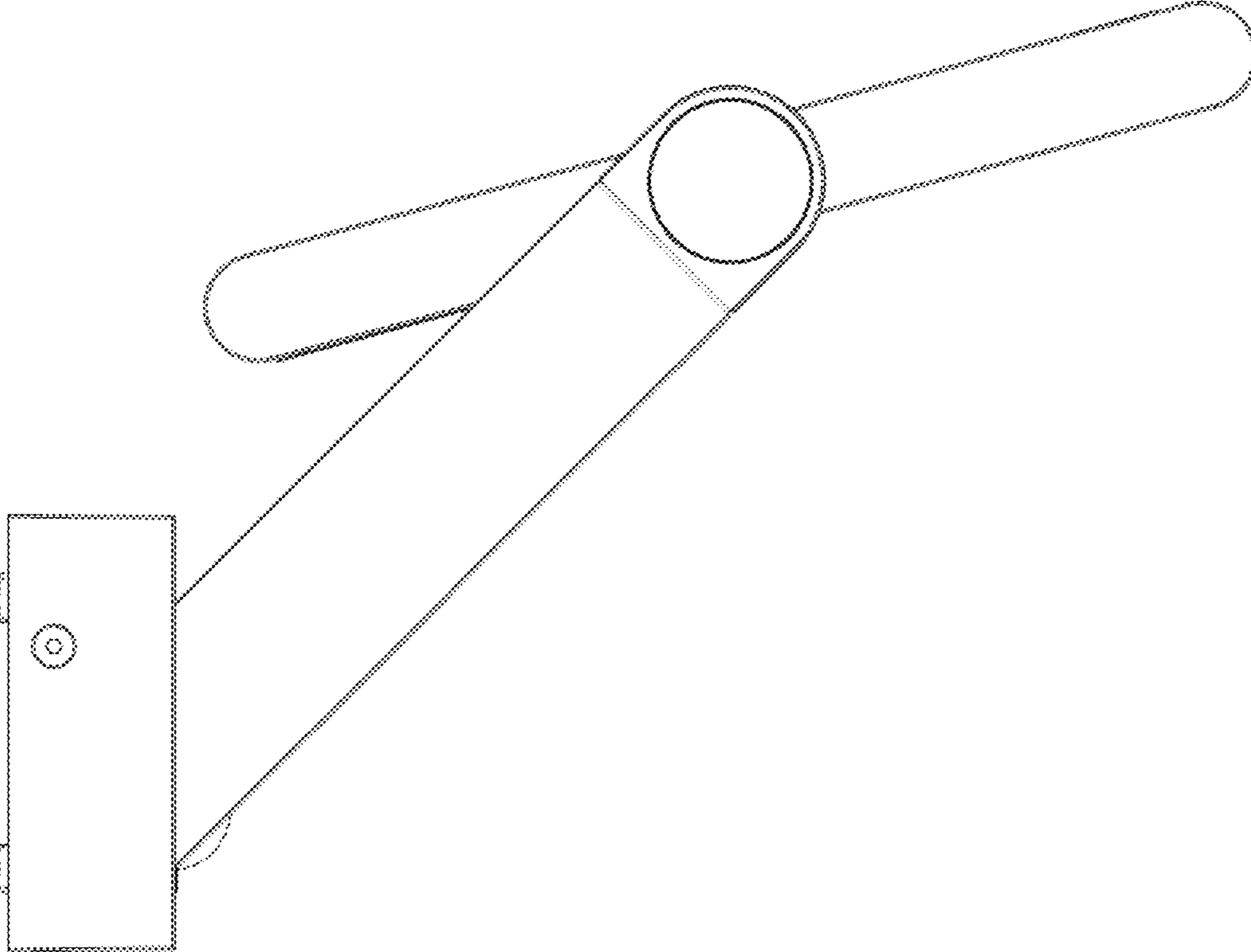


Figure 3

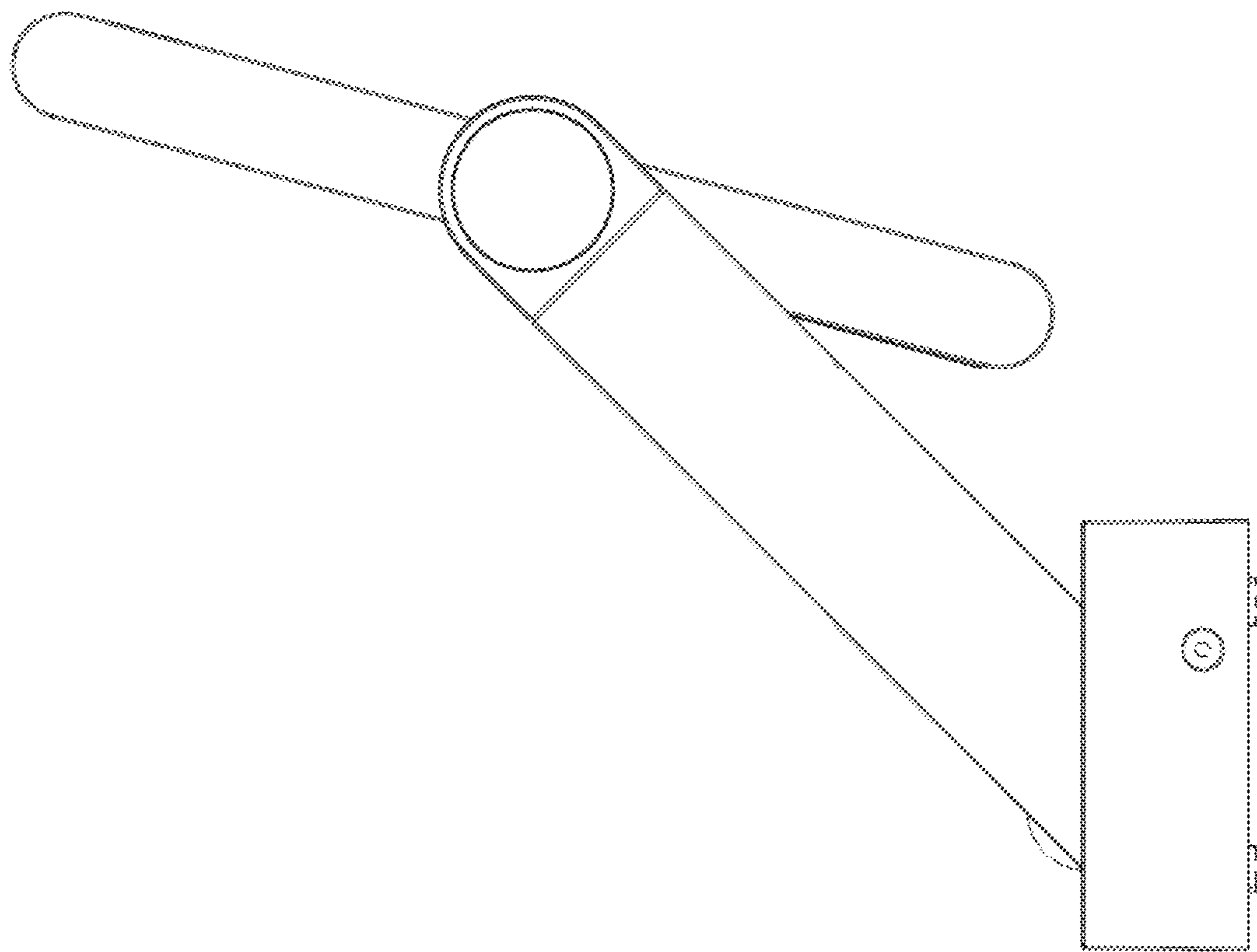


Figure 4

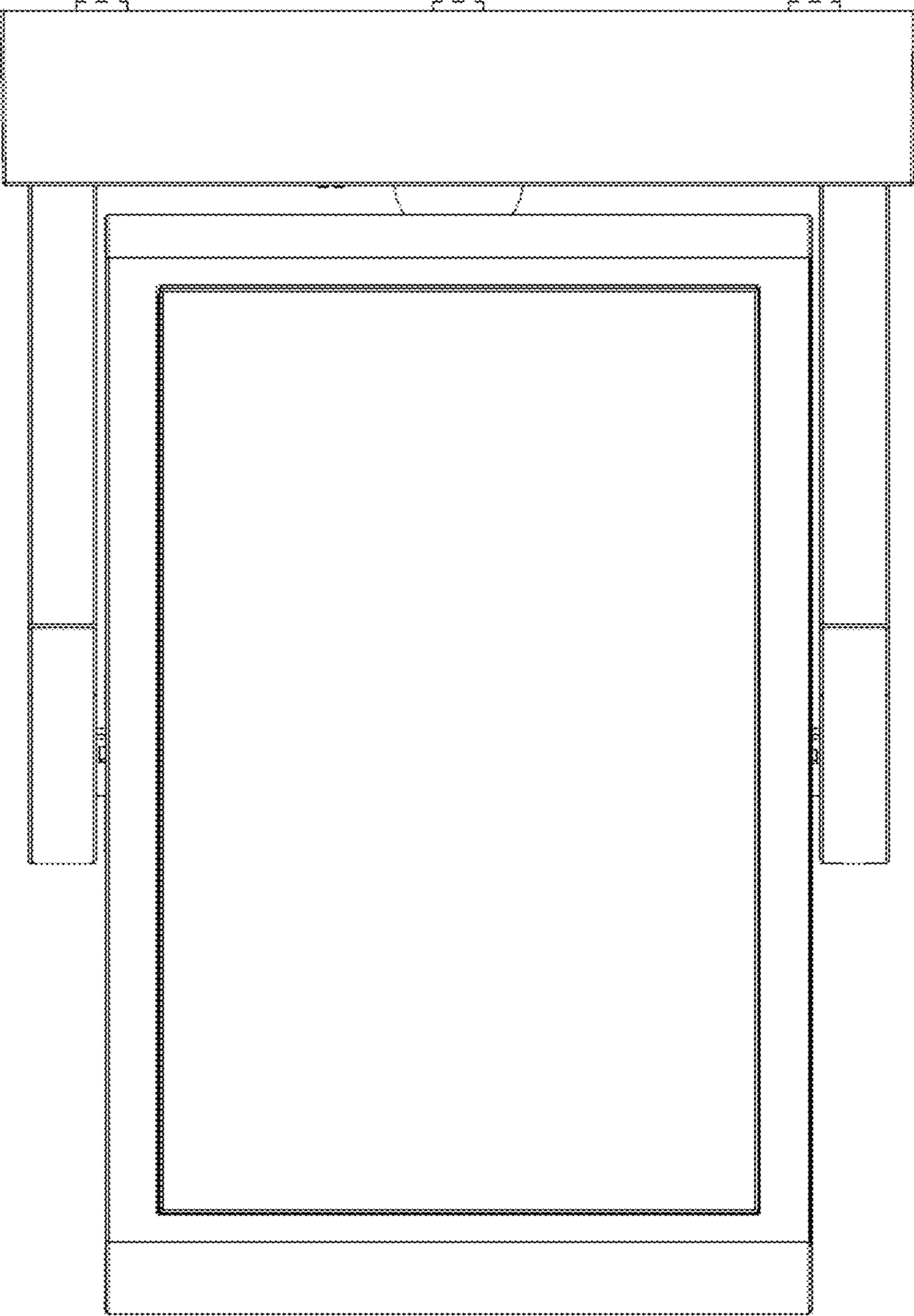


Figure 5

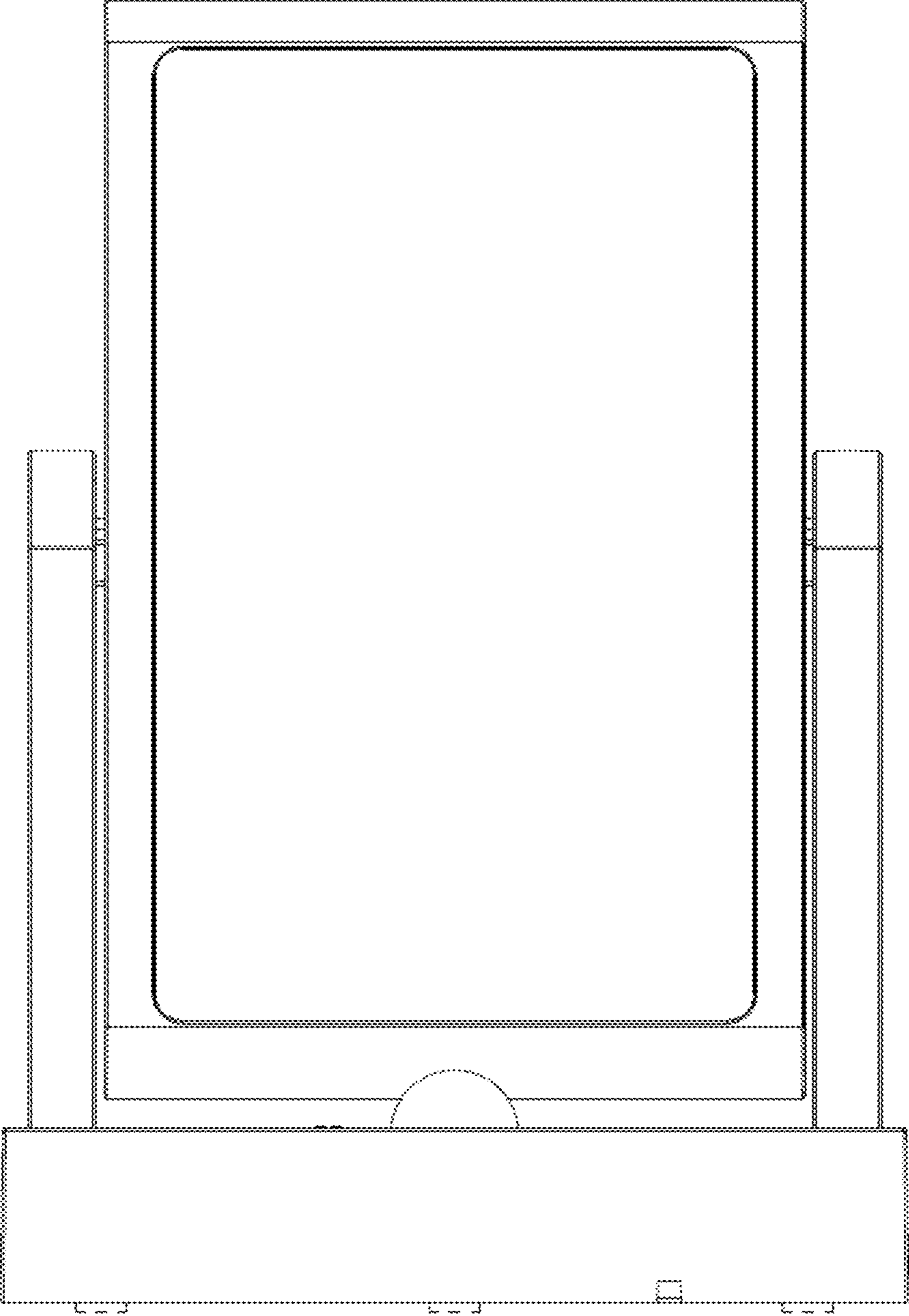


Figure 6

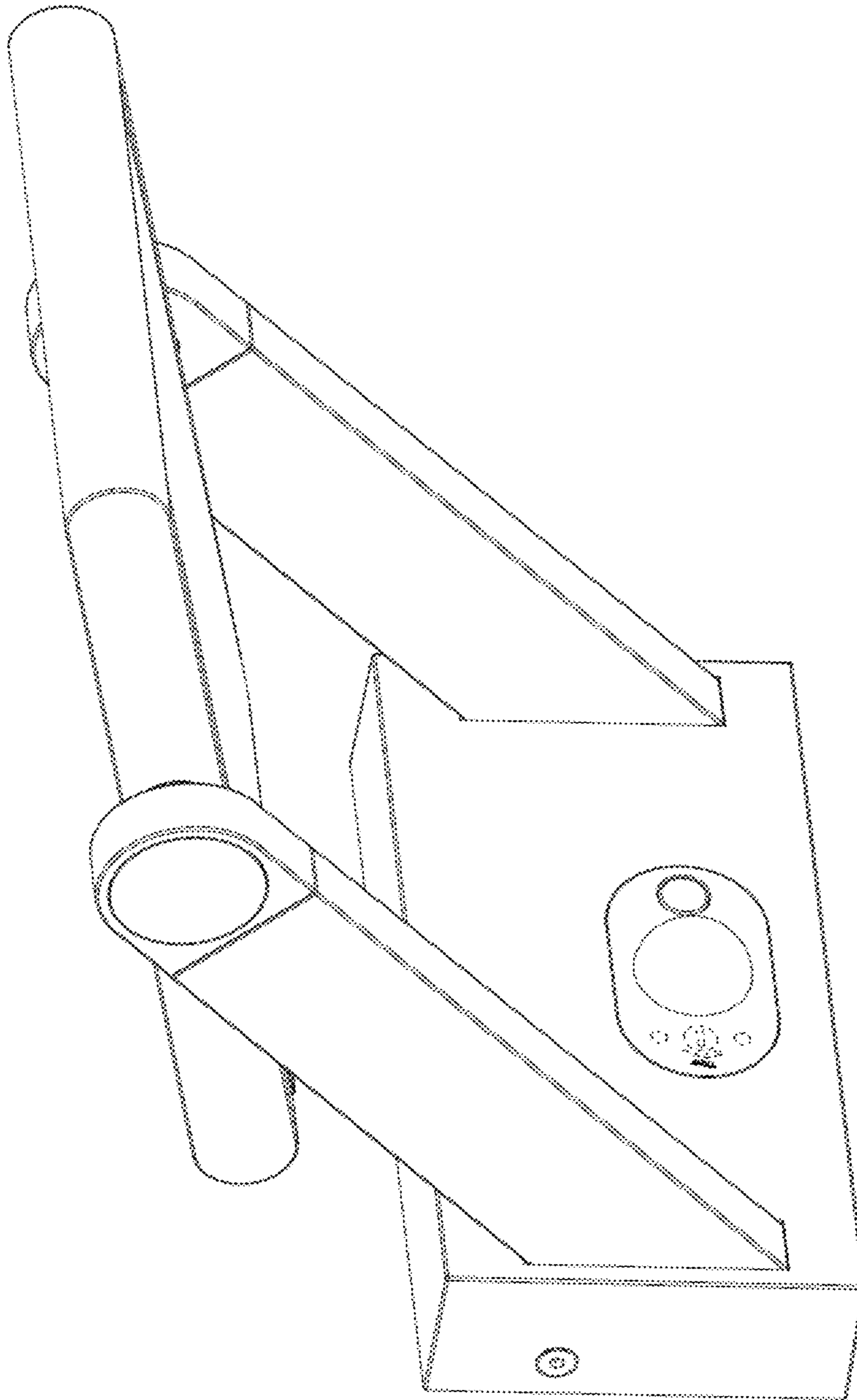


Figure 7