



US00D818168S

(12) **United States Design Patent** (10) **Patent No.:** **US D818,168 S**  
**Chang** (45) **Date of Patent:** **\*\* May 15, 2018**

(54) **LED LAMP FAN**

(71) Applicant: **Herman Chang**, Rancho Dominguez, CA (US)

(72) Inventor: **Herman Chang**, Rancho Dominguez, CA (US)

(\*\*) Term: **15 Years**

(21) Appl. No.: **29/594,133**

(22) Filed: **Feb. 15, 2017**

(51) **LOC (11) Cl.** ..... **26-05**

(52) **U.S. Cl.**  
USPC ..... **D26/59; D26/62; D23/370**

(58) **Field of Classification Search**  
USPC ..... D23/370-379, 381-385, 411-414, 360, D23/314, 335, 332; D26/59, 106, 61-62, D26/104, 63-65; D32/15  
CPC ..... F04D 5/00; F04D 27/00; F04D 29/329; F24H 3/04  
See application file for complete search history.

(56) **References Cited**

**U.S. PATENT DOCUMENTS**

D436,419 S *	1/2001	Lin	.....	D26/104
D489,840 S *	5/2004	Liao	.....	D26/104
D500,567 S *	1/2005	Henry	.....	D26/59
D640,403 S *	6/2011	Kristiansen	.....	D26/61
D688,360 S *	8/2013	Paz	.....	D23/314
D689,641 S *	9/2013	Huang	.....	D26/62
D699,336 S *	2/2014	Girard	.....	D23/370
D729,377 S *	5/2015	Chen	.....	D23/378

D744,630 S *	12/2015	Ying	.....	D23/378
D802,736 S *	11/2017	Kim	.....	D23/378
D802,740 S *	11/2017	Kim	.....	D23/378
2006/0172682 A1 *	8/2006	Orr	.....	F04D 17/04 454/152
2014/0147297 A1 *	5/2014	Iyer	.....	F04F 5/14 417/158

\* cited by examiner

*Primary Examiner* — Janice Hallmark

(74) *Attorney, Agent, or Firm* — Stefan J. Kirchanski; Matthew J. Spark; Zuber Lawler & Del Duca LLP

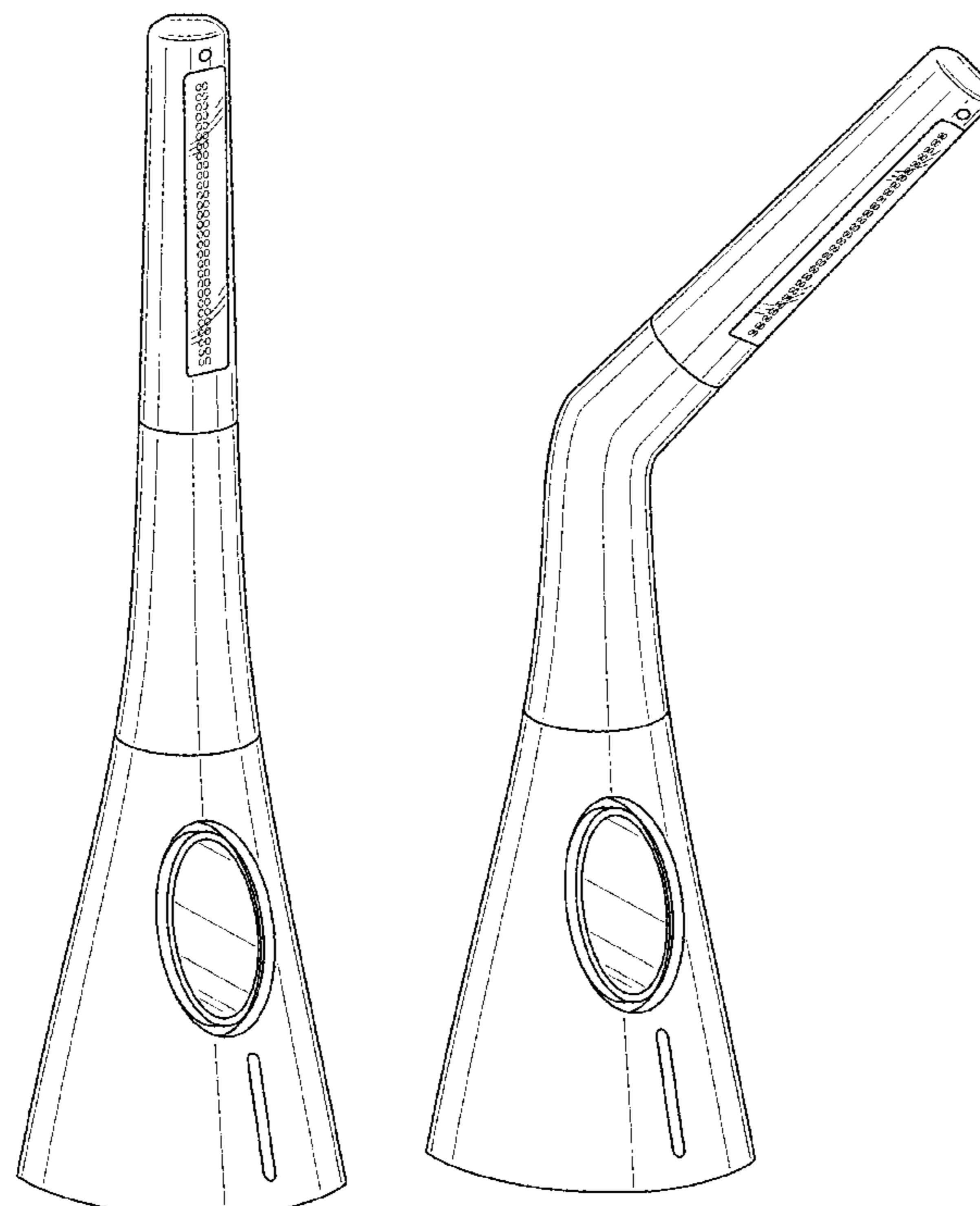
(57) **CLAIM**

The ornamental design for an LED lamp fan, as shown and described.

**DESCRIPTION**

FIG. 1 is a left perspective view of an LED lamp fan showing my design;  
FIG. 2 is a front view of the LED lamp fan of FIG. 1;  
FIG. 3 is a back view of the LED lamp fan of FIG. 1;  
FIG. 4 is a left side view of the LED lamp fan of FIG. 1;  
FIG. 5 is a right side view of the LED lamp fan of FIG. 1;  
FIG. 6 is a bottom view of the LED lamp fan of FIG. 1;  
FIG. 7 is a top view of the LED lamp fan of FIG. 1.  
FIG. 8 is a left perspective view of the LED lamp fan of FIG. 1 in a first alternate configuration;  
FIG. 9 is a left side view of the LED lamp fan of FIG. 8;  
FIG. 10 is a left perspective view of the LED lamp fan of FIG. 1 in a second alternate configuration; and,  
FIG. 11 is a left side view of the LED lamp fan of FIG. 10.

**1 Claim, 9 Drawing Sheets**



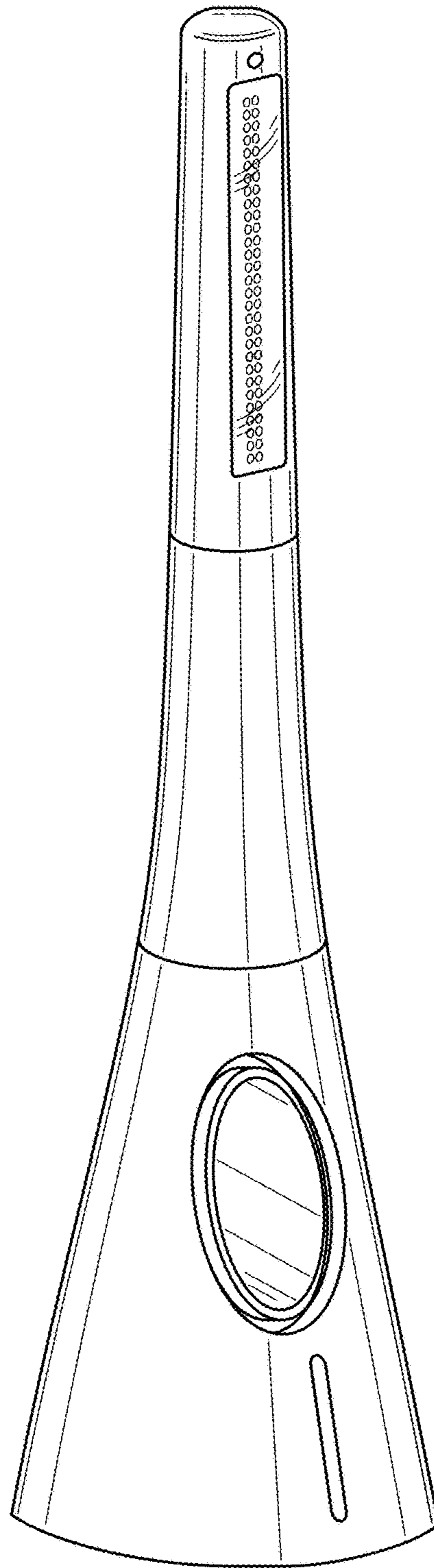


FIG. 1

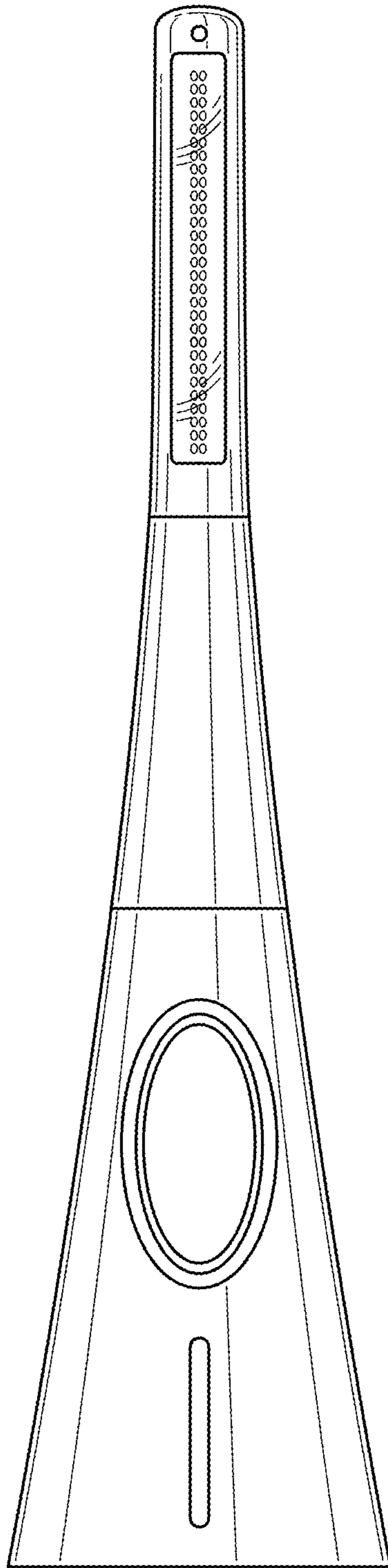


FIG. 2

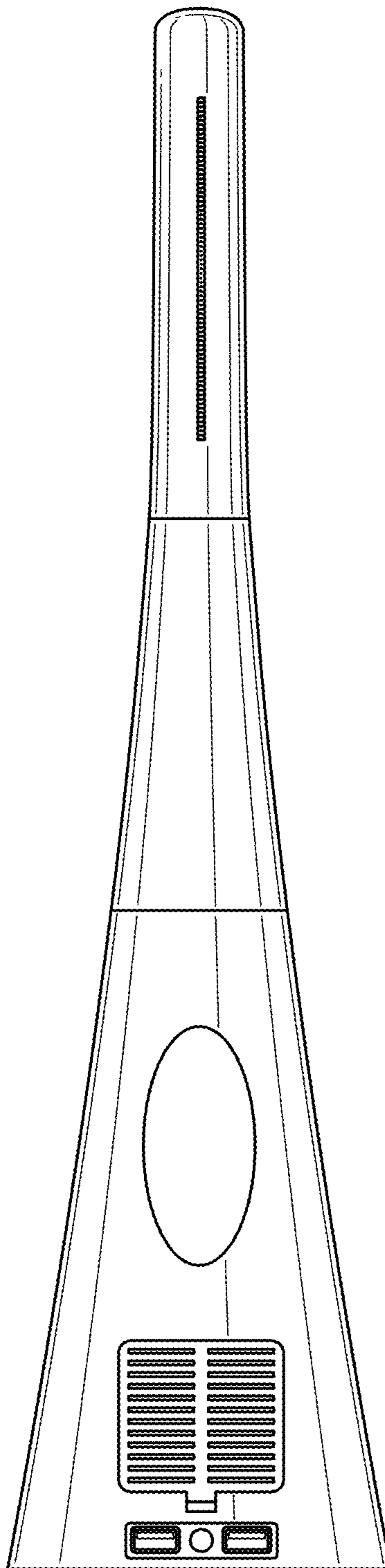


FIG. 3

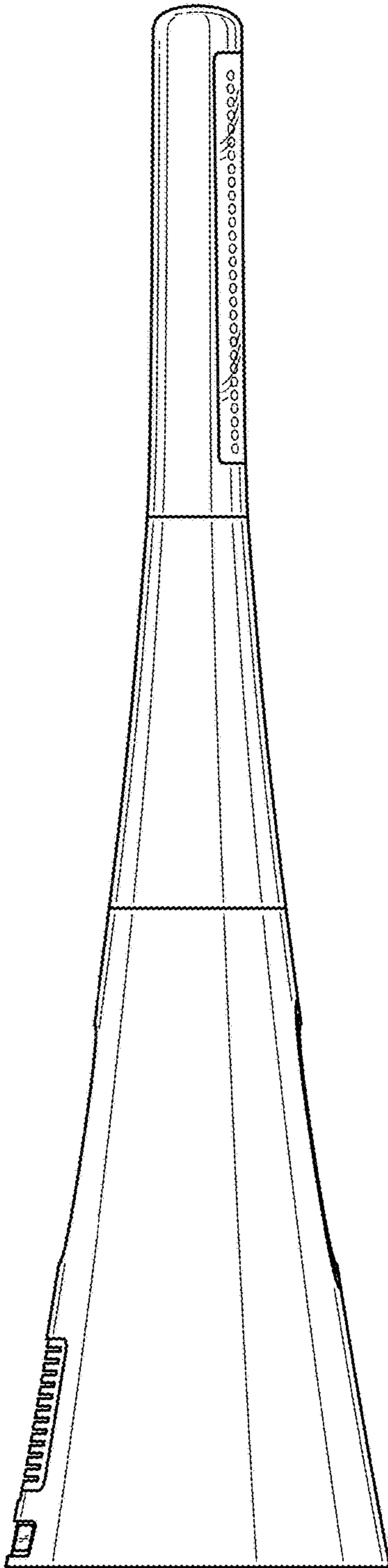


FIG. 4

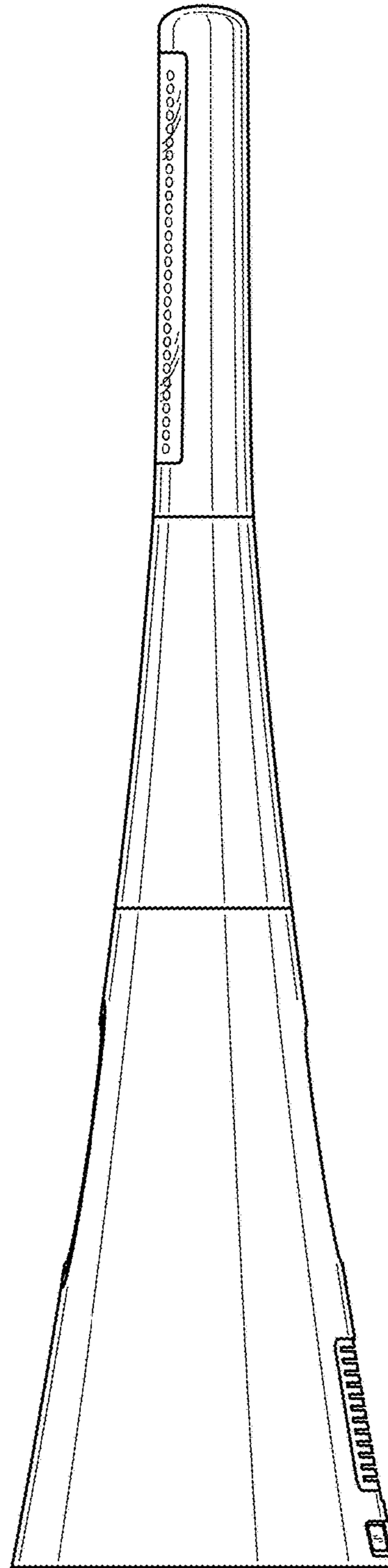


FIG. 5

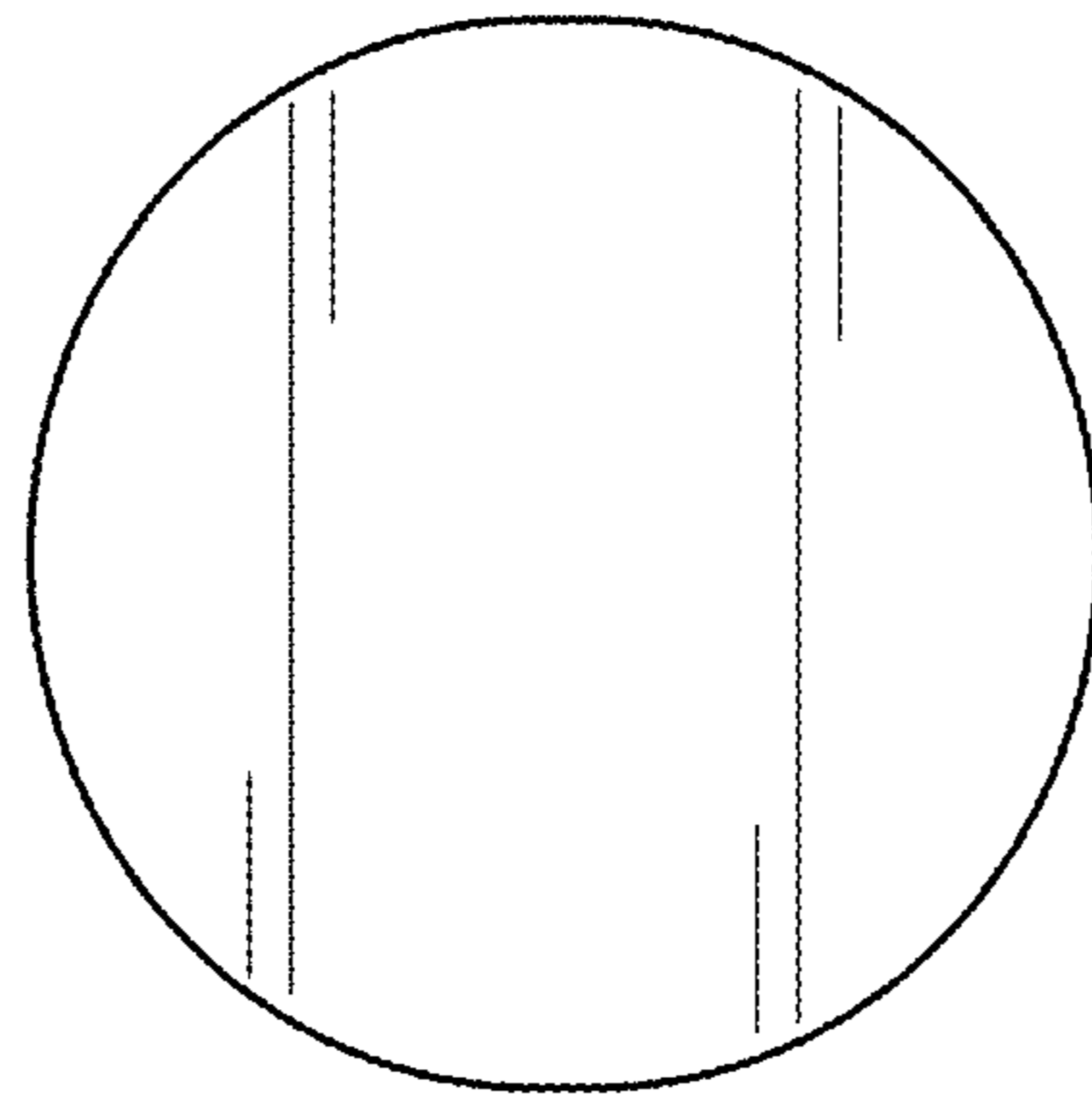


FIG. 6

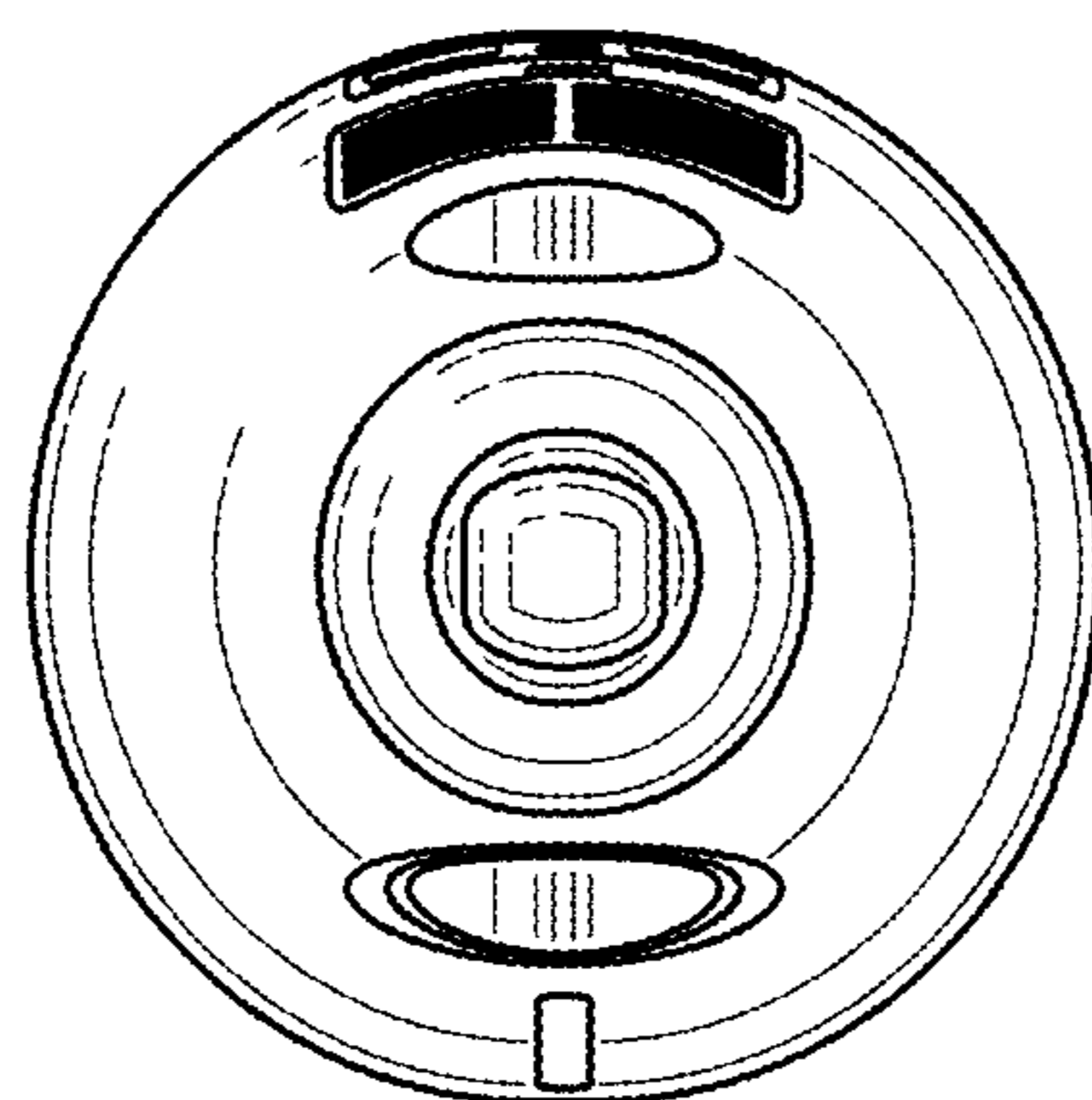


FIG. 7

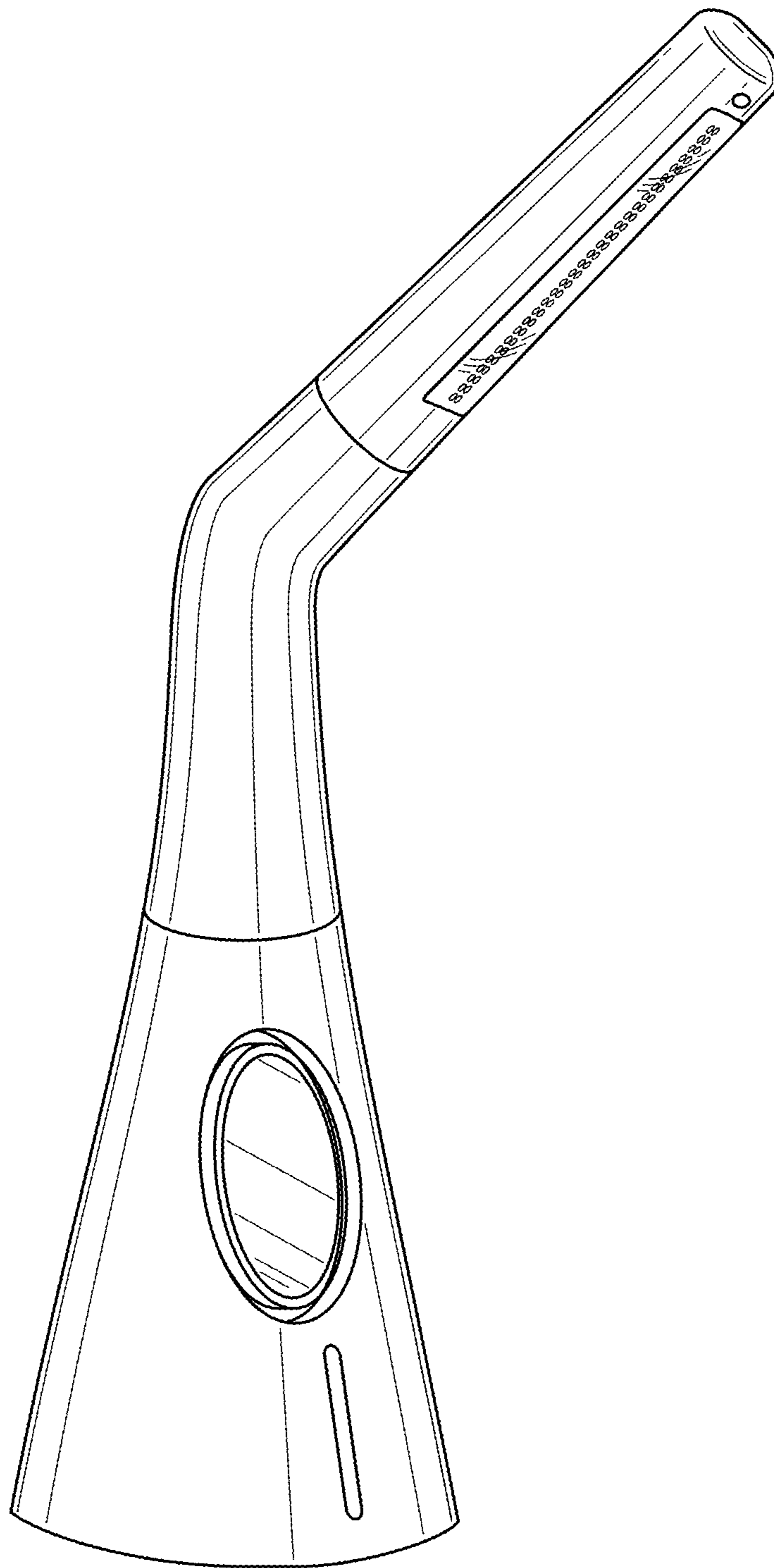


FIG. 8

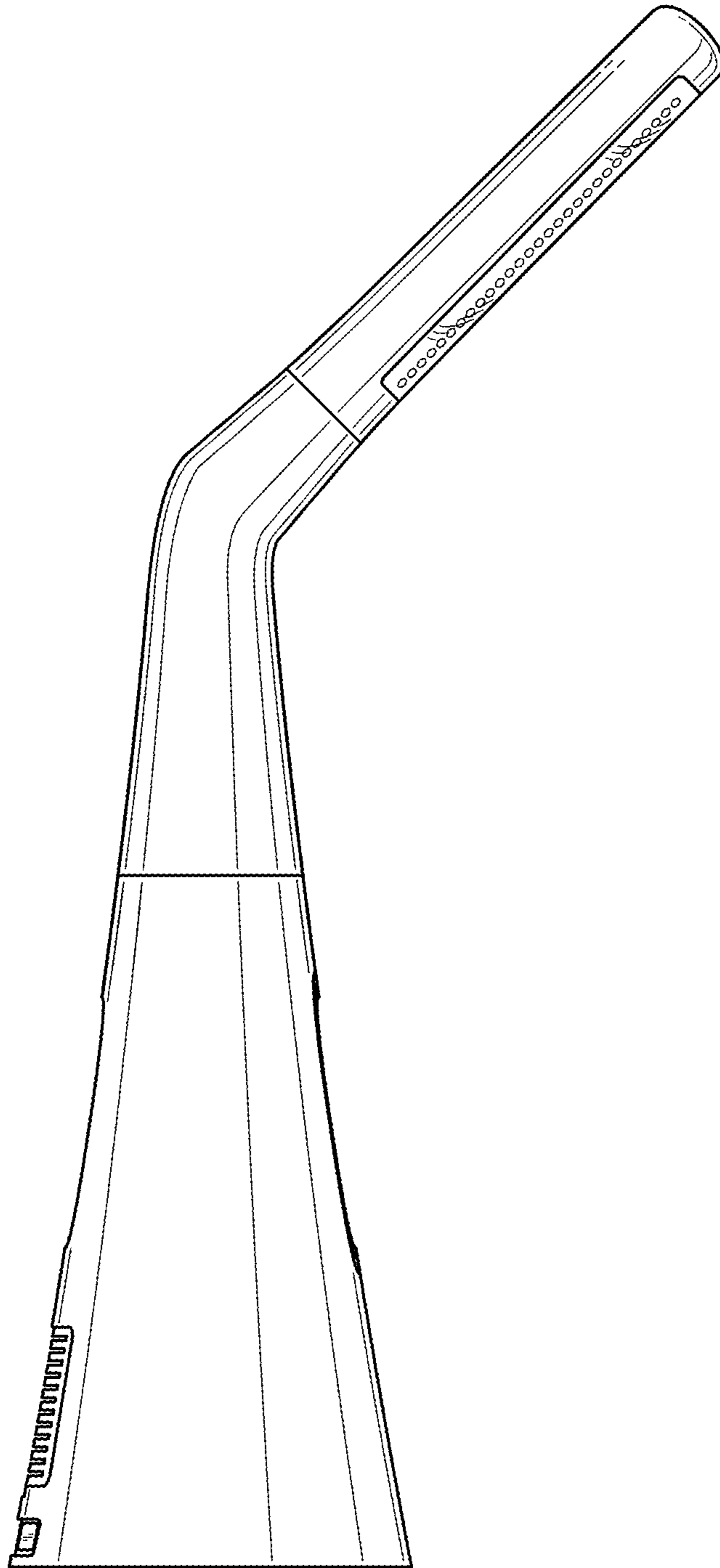


FIG. 9



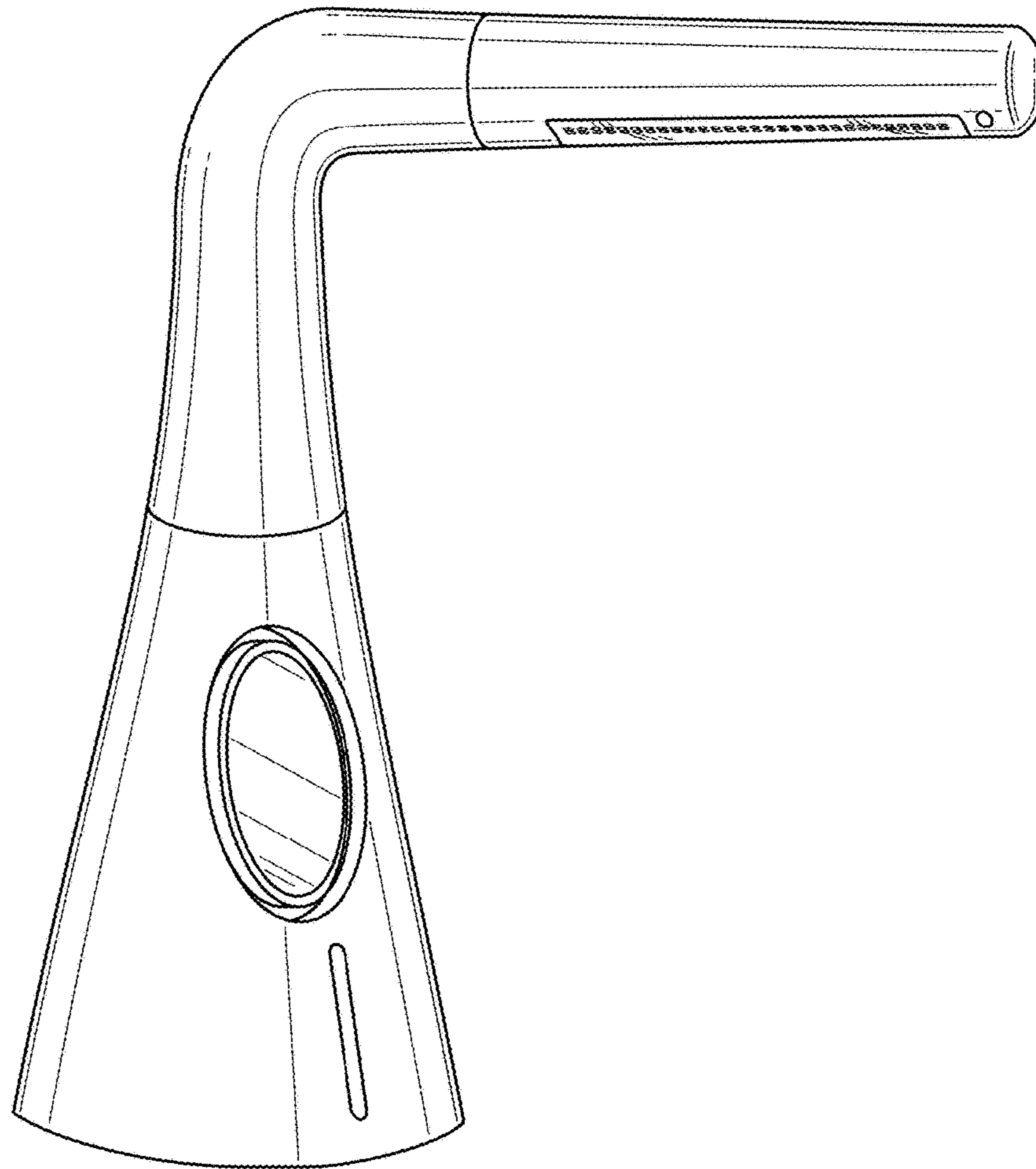


FIG. 10

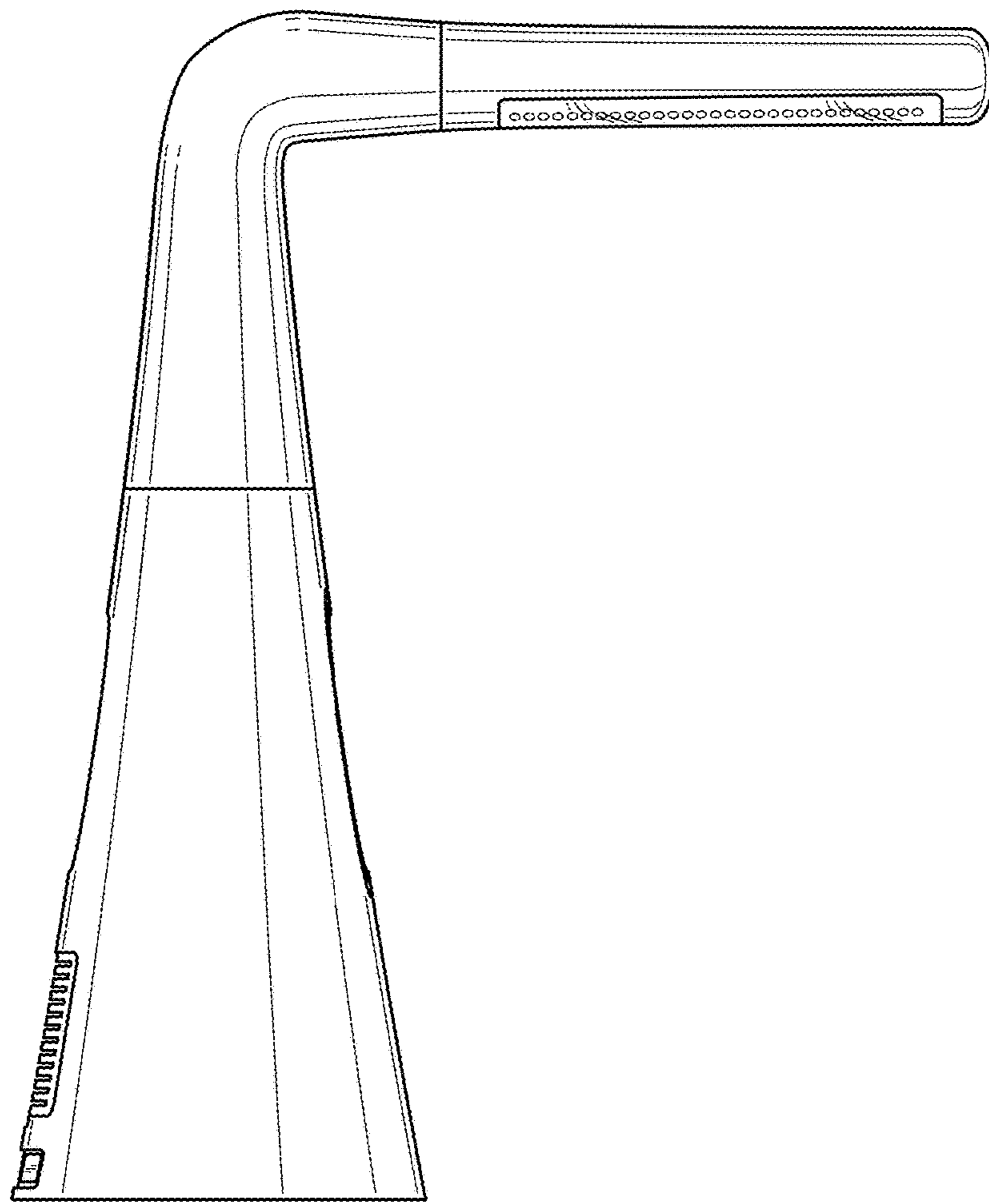


FIG. 11