



US00D818167S

(12) **United States Design Patent**  
**Molnar**

(10) **Patent No.:** **US D818,167 S**

(45) **Date of Patent:** **\*\* May 15, 2018**

(54) **LIGHT**

(71) Applicant: **Hollis Molnar**, Albany, OH (US)

(72) Inventor: **Hollis Molnar**, Albany, OH (US)

(\*\*) Term: **15 Years**

(21) Appl. No.: **29/581,611**

(22) Filed: **Oct. 20, 2016**

(51) **LOC (11) Cl.** ..... **26-03**

(52) **U.S. Cl.**  
USPC ..... **D26/51**

(58) **Field of Classification Search**

USPC ..... D26/24, 25, 38, 51  
CPC .... F21S 4/00; F21S 4/003; F21S 4/007; F21S  
9/00; F21V 33/00; F21W 2101/00; F21W  
2111/00; F21W 2121/00; A45C 15/06  
See application file for complete search history.

(56) **References Cited**

**U.S. PATENT DOCUMENTS**

3,182,184	A *	5/1965	Minarich	.....	A45C 15/06 362/155
D221,182	S *	7/1971	Hilgendorf	.....	D26/38
3,800,134	A	3/1974	Castaldo		
4,638,412	A	1/1987	Weigert		
4,912,611	A *	3/1990	Lyle	.....	A45C 15/06 362/155

5,005,111	A *	4/1991	Teal	.....	A45C 15/06 150/102
5,067,063	A *	11/1991	Granneman	.....	A45C 15/06 362/156
5,268,827	A *	12/1993	Granneman	.....	A45C 15/06 362/156
D345,430	S *	3/1994	Ridgeway	.....	D26/25
D375,179	S *	10/1996	Wisdom	.....	D26/25
6,120,162	A	9/2000	Guerrieri		
D484,905	S *	1/2004	Waters	.....	D26/51
7,111,959	B2	9/2006	Kurcz et al.		
D740,476	S *	10/2015	Kushner	.....	D26/51
D745,196	S *	12/2015	Walterscheid	.....	D26/24
D775,376	S *	12/2016	Moreau	.....	D26/25
2005/0174758	A1	8/2005	Fields		
2007/0008714	A1	1/2007	Kilfedder		

\* cited by examiner

*Primary Examiner* — Brian N. Vinson  
(74) *Attorney, Agent, or Firm* — Fay Sharpe LLP

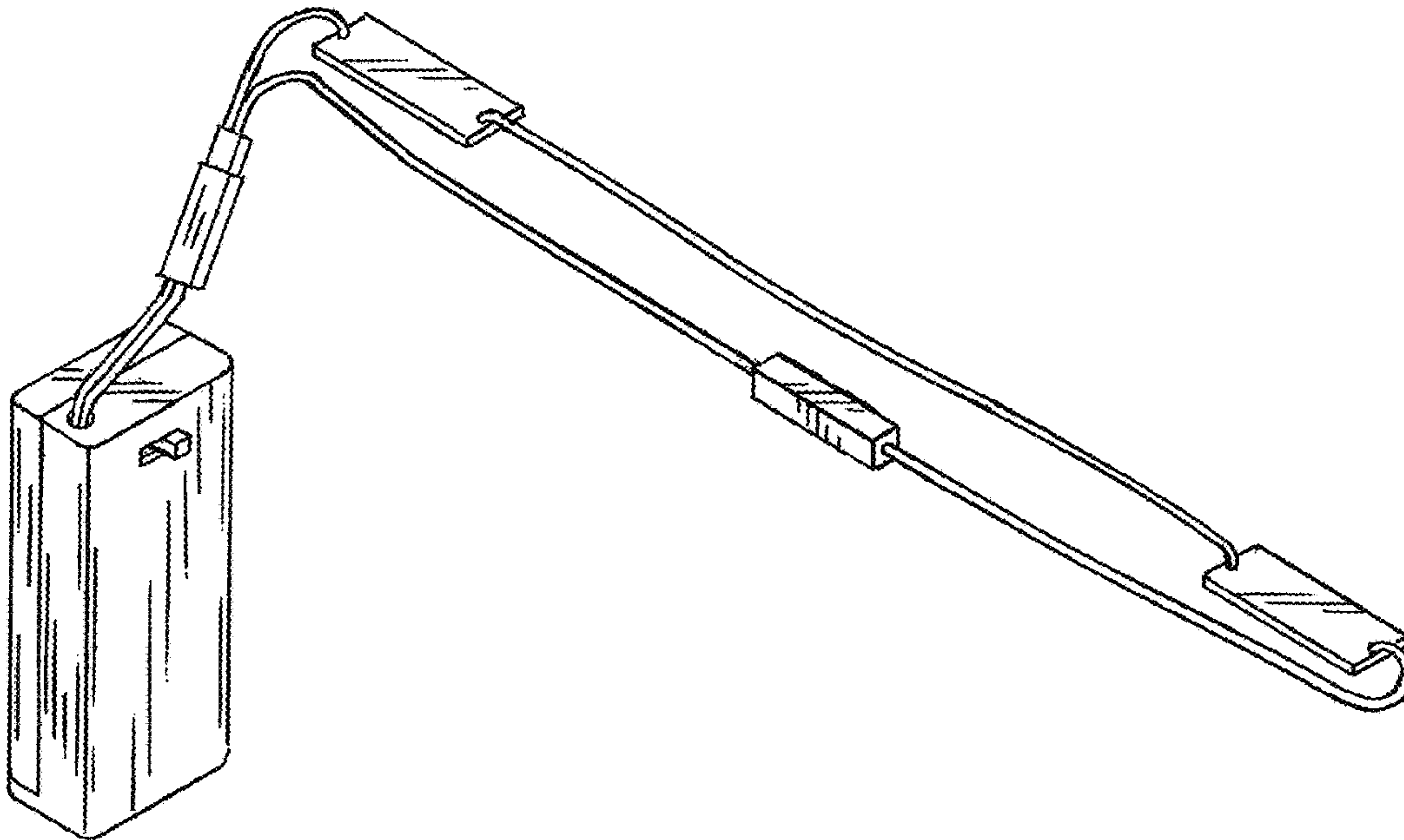
(57) **CLAIM**

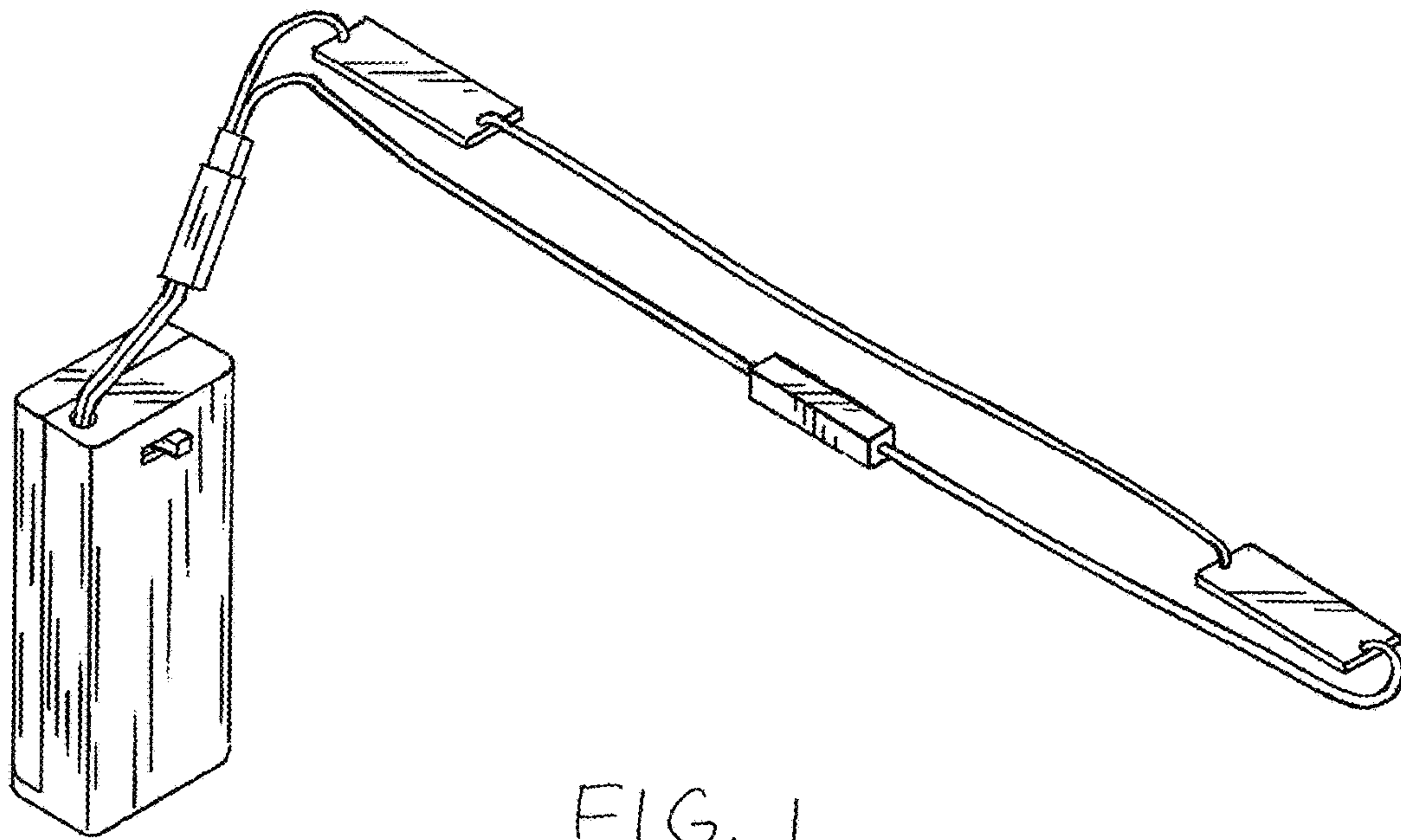
The ornamental design for a light, as shown and described.

**DESCRIPTION**

FIG. 1 is a front side elevation view of a light showing my new design;  
FIG. 2 is a front plan view of the light of FIG. 1;  
FIG. 3 is a top plan view of the light of FIG. 1;  
FIG. 4 is bottom plan view of the light of FIG. 1; and,  
FIG. 5 is a back plan view of the light of FIG. 1.

**1 Claim, 3 Drawing Sheets**





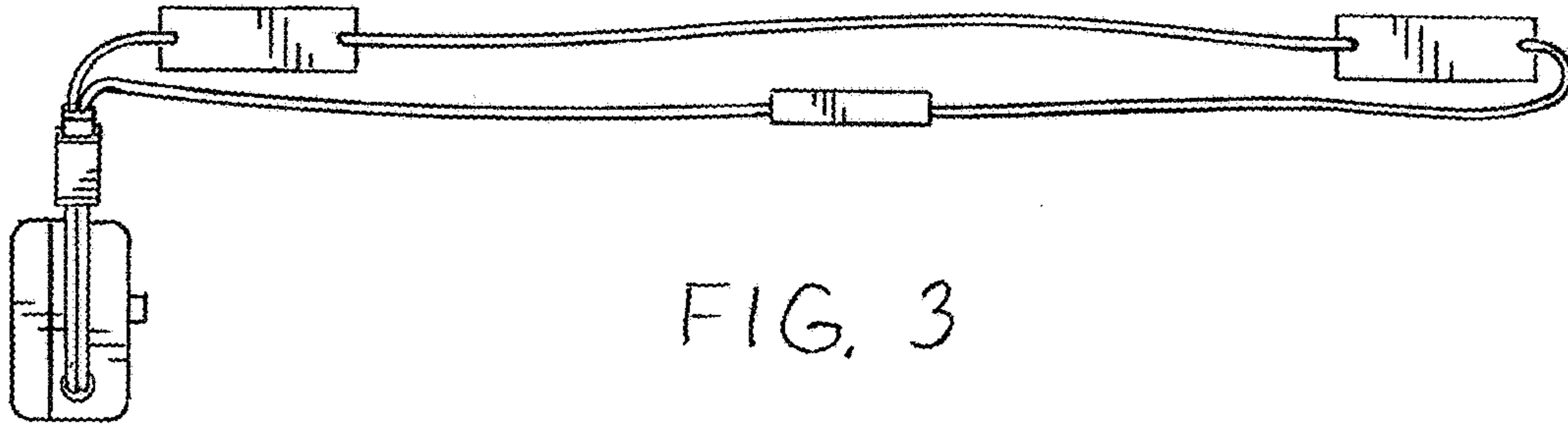


FIG. 3

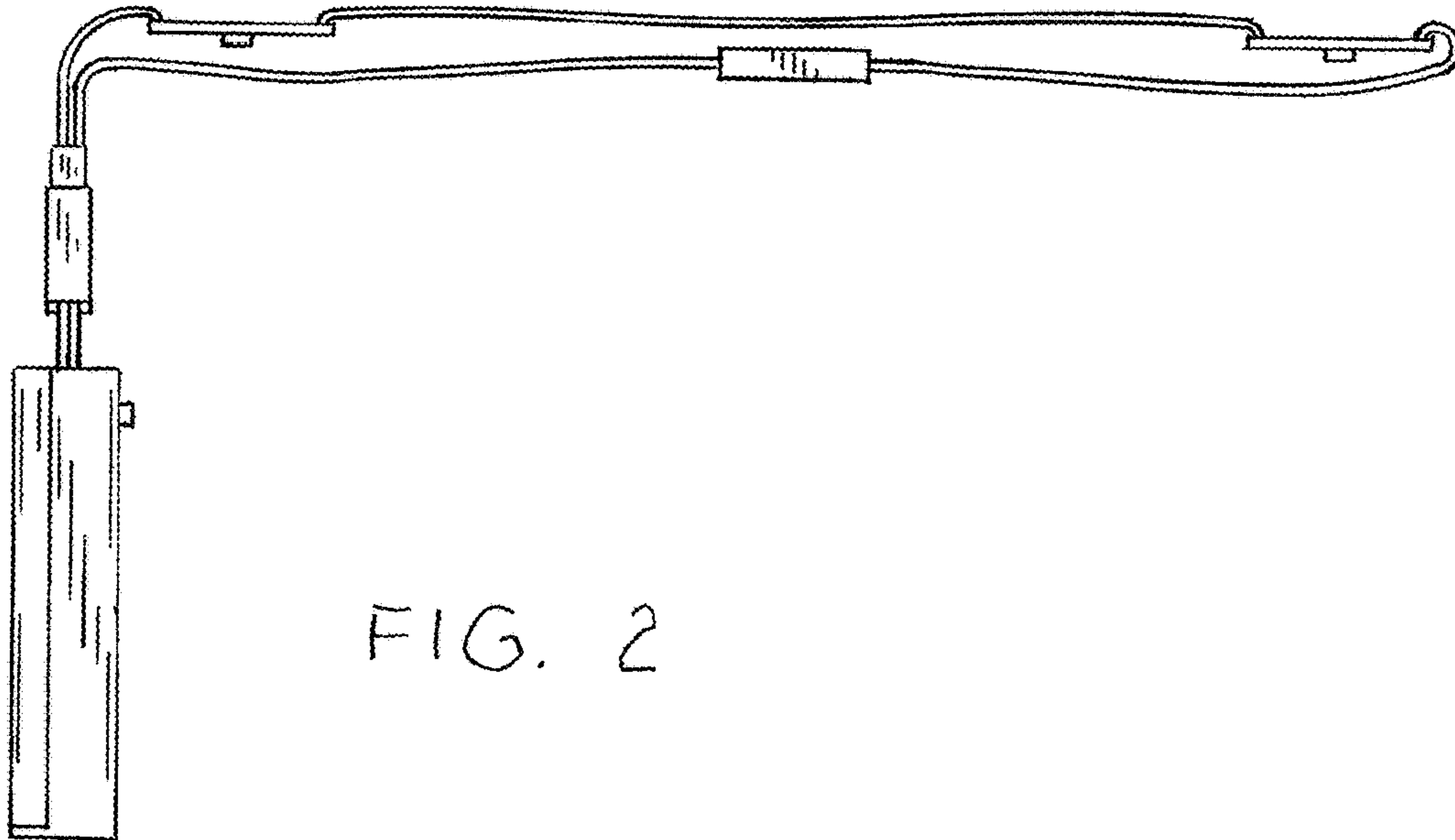


FIG. 2

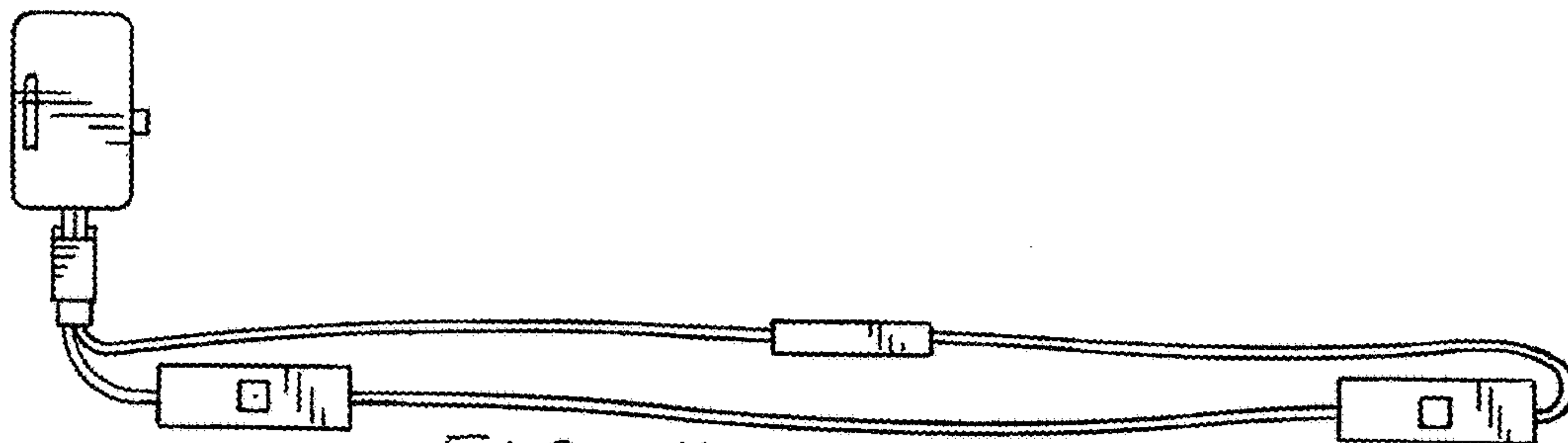


FIG. 4

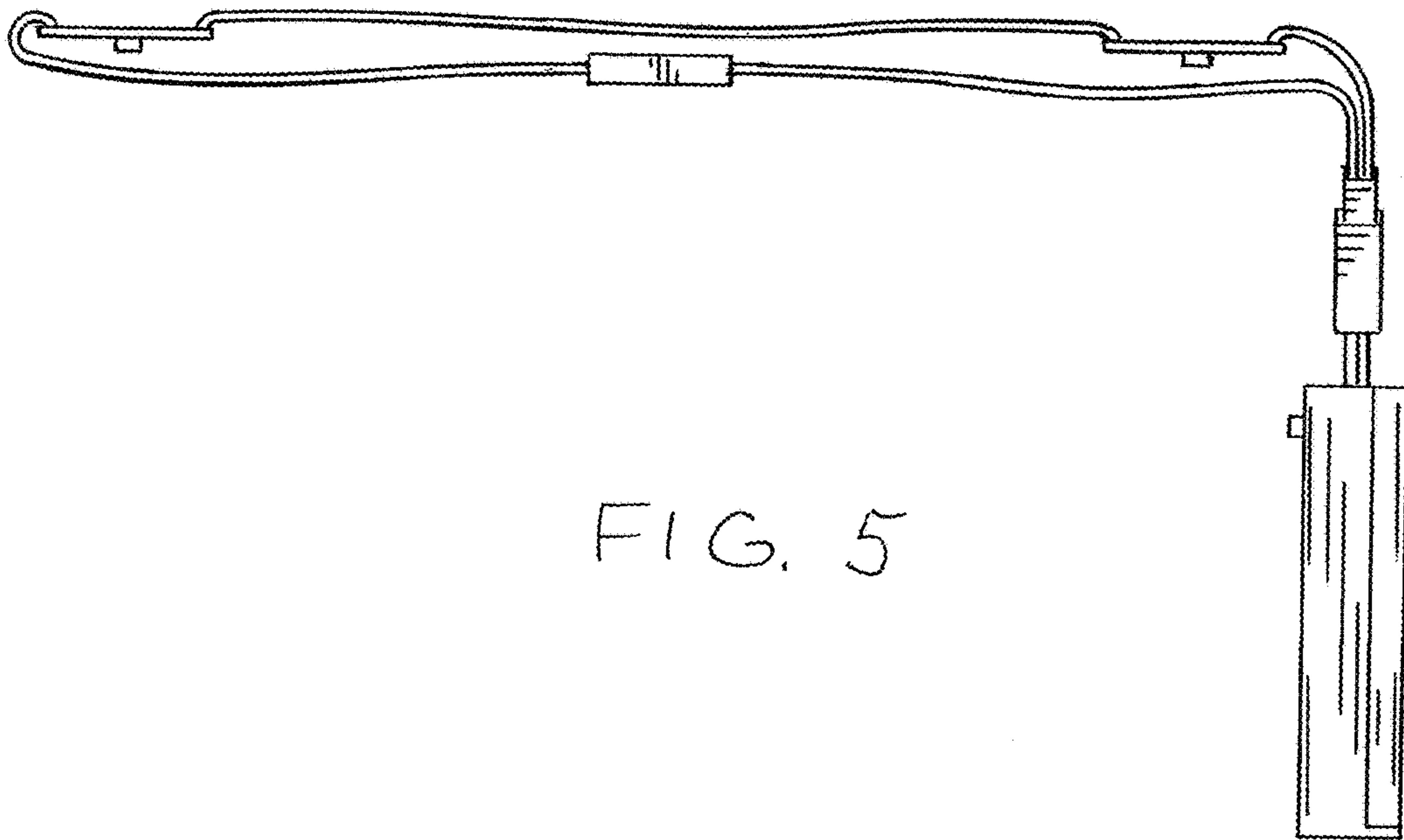


FIG. 5