



US00D818165S

(12) **United States Design Patent** (10) **Patent No.:** **US D818,165 S**  
**Lu** (45) **Date of Patent:** **\*\* May 15, 2018**

(54) **WORK LAMP**  
(71) Applicant: **NINGBO TIANLI LANTERN DECORATIONS CO., LTD.**, Yuyao (CN)

(72) Inventor: **Jiming Lu**, Yuyao (CN)

(73) Assignee: **Ningbo Tianli Lantern Decorations Co., Ltd.**, Yuyao (CN)

(\*\*) Term: **15 Years**

(21) Appl. No.: **29/562,349**

(22) Filed: **Apr. 25, 2016**

(30) **Foreign Application Priority Data**

Oct. 29, 2015 (CN) ..... 2015 3 0422876

(51) **LOC (11) Cl.** ..... **26-02**

(52) **U.S. Cl.**  
USPC ..... **D26/42**

(58) **Field of Classification Search**  
USPC ..... D26/37, 38, 40, 42, 46, 49, 51, 43, 61, D26/62; D8/34, 87, 81, 104  
CPC ..... F21L 2003/00; F21L 4/00; F21L 4/005; F21L 4/02; F21L 4/025; F21L 4/027; F21L 4/04; F21L 4/08; F21L 2005/00; F21L 7/00; F21L 11/00; F21L 13/00; F21L 13/04; F21L 13/08; F21L 14/02; F21L 17/00; F21L 19/00  
See application file for complete search history.

(56) **References Cited**

**U.S. PATENT DOCUMENTS**

D403,452 S \* 12/1998 Kim ..... D26/38  
D515,720 S \* 2/2006 Kim ..... D26/38  
D541,961 S \* 5/2007 Tarter ..... D26/40  
D554,786 S \* 11/2007 Rugendyke ..... D26/49

D554,787 S \* 11/2007 Shiu ..... D26/49  
D566,315 S \* 4/2008 Shiu ..... D26/49  
D577,843 S \* 9/2008 Couture ..... D26/49  
D638,152 S \* 5/2011 Leung ..... D26/40  
D647,230 S \* 10/2011 Bertken ..... D26/38  
D691,310 S \* 10/2013 Zhou ..... D26/37  
D698,959 S \* 2/2014 Shen ..... D26/46  
D709,229 S \* 7/2014 Wang ..... D26/49  
D717,480 S \* 11/2014 Hsu ..... D26/49  
D728,139 S \* 4/2015 Wang ..... D26/49  
D737,487 S \* 8/2015 Beckett ..... D26/38  
D750,825 S \* 3/2016 Bryant ..... D26/42  
D751,742 S \* 3/2016 Windom ..... D26/49  
D757,971 S \* 5/2016 Kovacik ..... D26/37  
D765,295 S \* 8/2016 McLennan ..... F21V 21/0885  
D26/49  
2014/0140050 A1 \* 5/2014 Wong ..... F21L 4/02  
362/184  
2015/0131276 A1 \* 5/2015 Thompson ..... F21L 4/025  
362/191

\* cited by examiner

*Primary Examiner* — Lakiya G Rogers  
*Assistant Examiner* — Carissa C Fitts  
(74) *Attorney, Agent, or Firm* — Wang Law Firm, Inc.

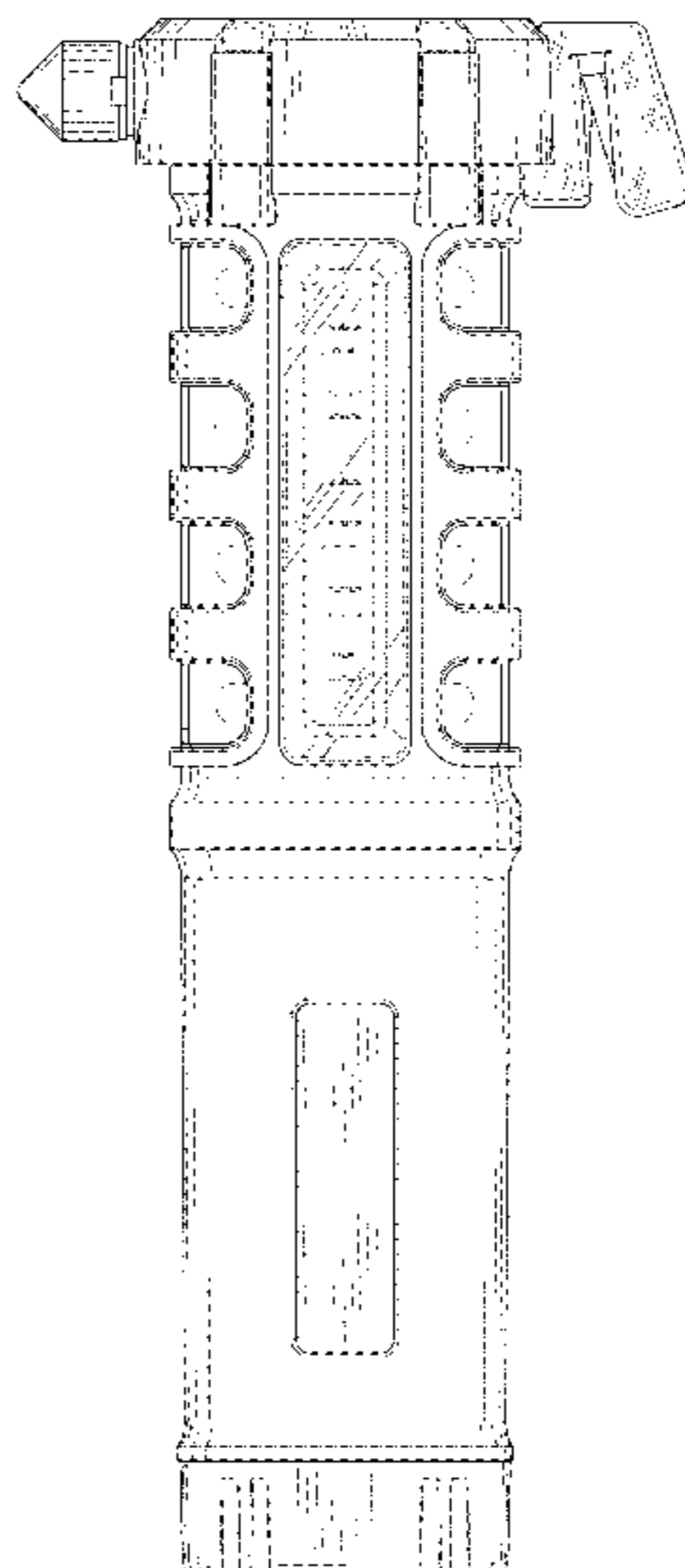
(57) **CLAIM**

The ornamental design for a work lamp, as shown and described.

**DESCRIPTION**

FIG. 1 is a front view showing my new design;  
FIG. 2 is a right view thereof;  
FIG. 3 is a rear view thereof;  
FIG. 4 is a left view thereof;  
FIG. 5 is a top view thereof;  
FIG. 6 is a bottom view thereof; and,  
FIG. 7 is a perspective view thereof.  
The broken lines show portions of the article not claimed and form no part of the claimed design.

**1 Claim, 6 Drawing Sheets**



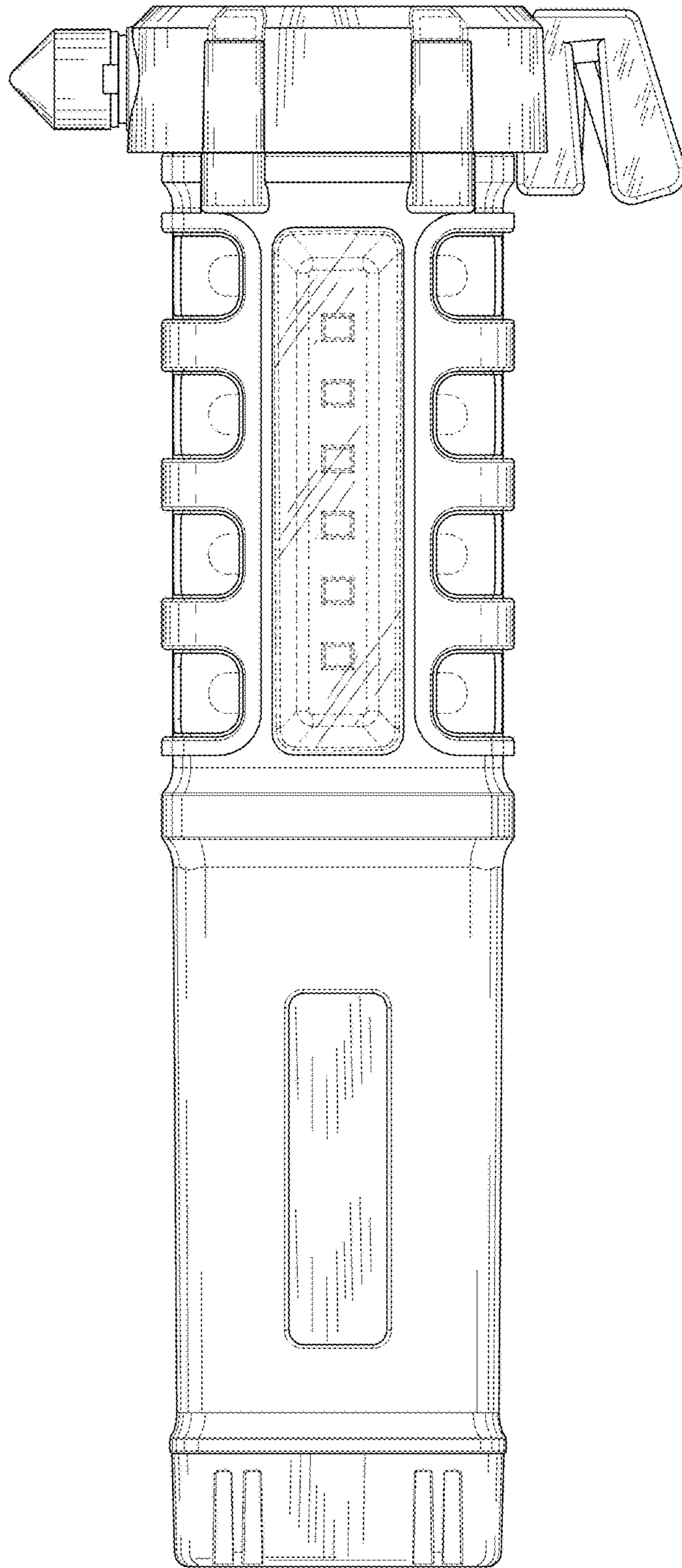


FIG. 1

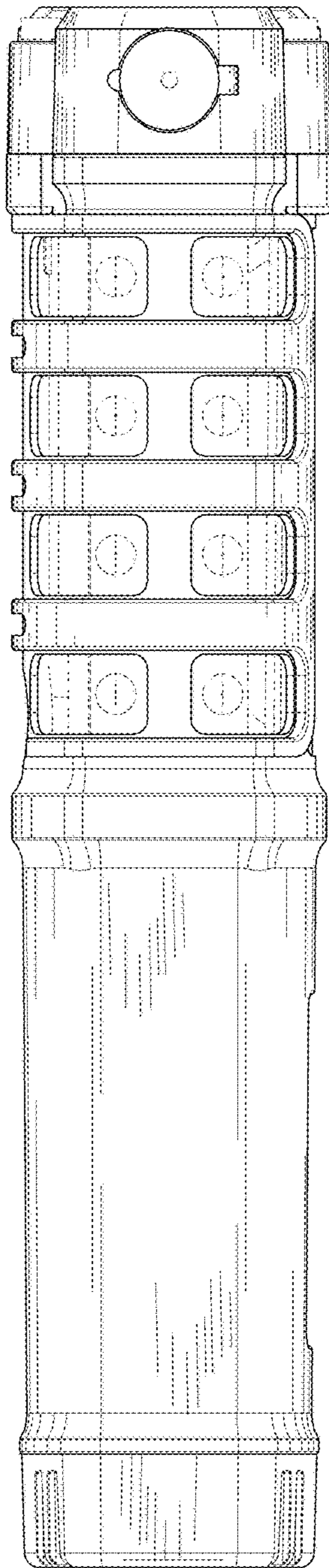


FIG. 2

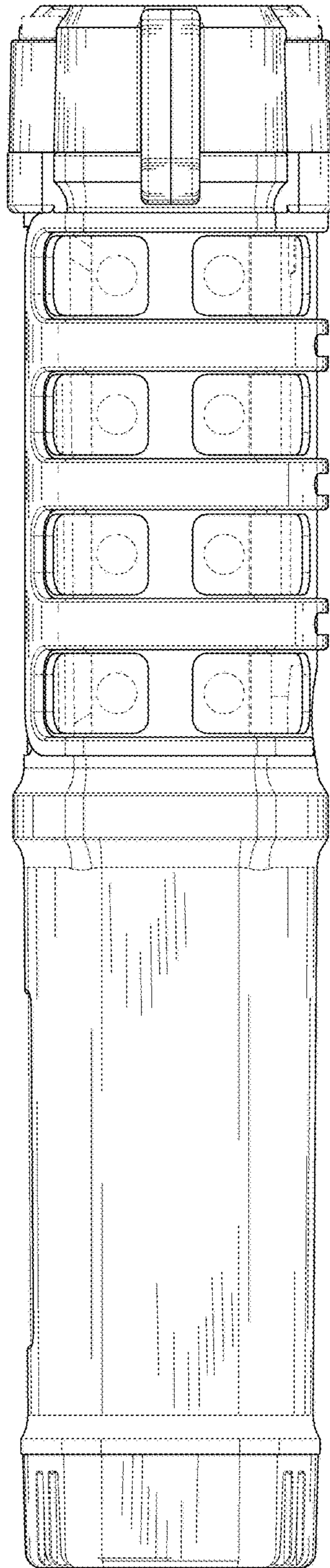


FIG. 3

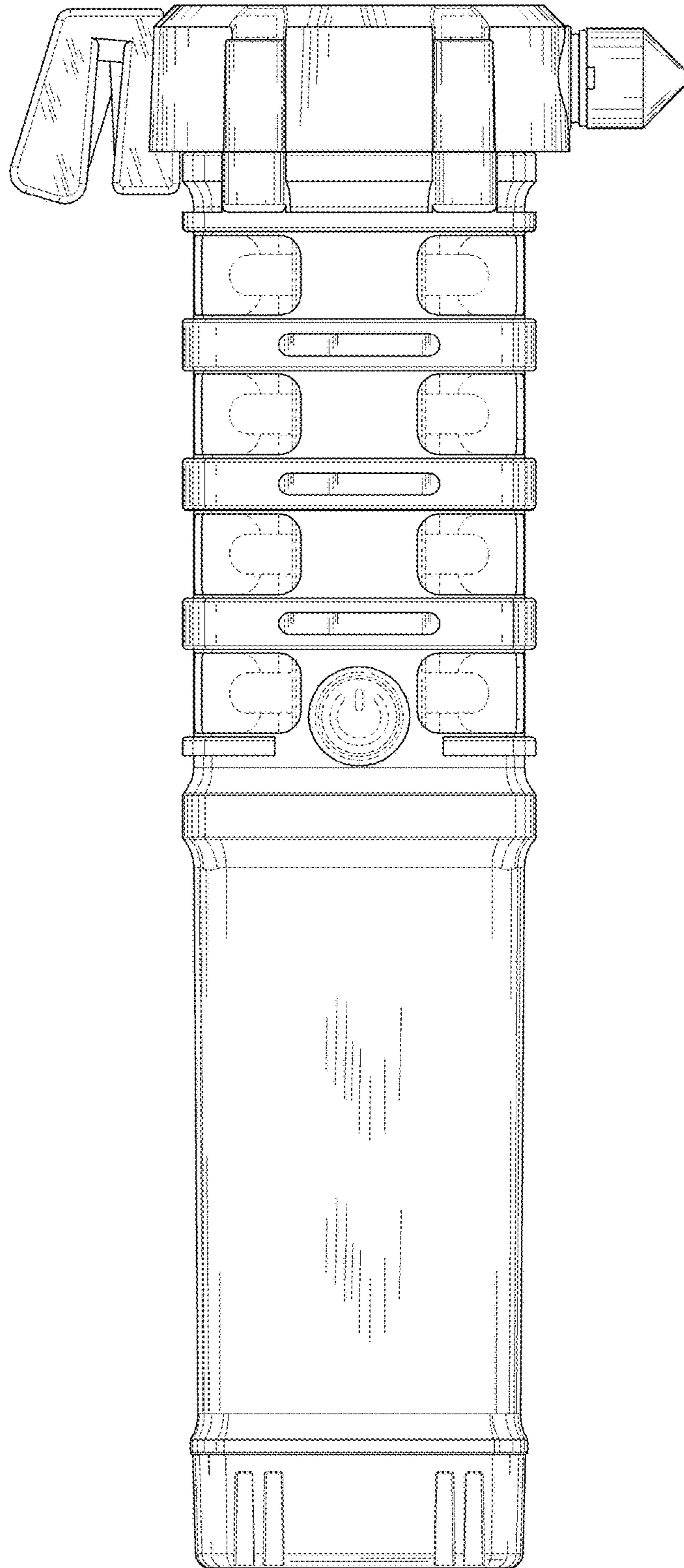


FIG. 4

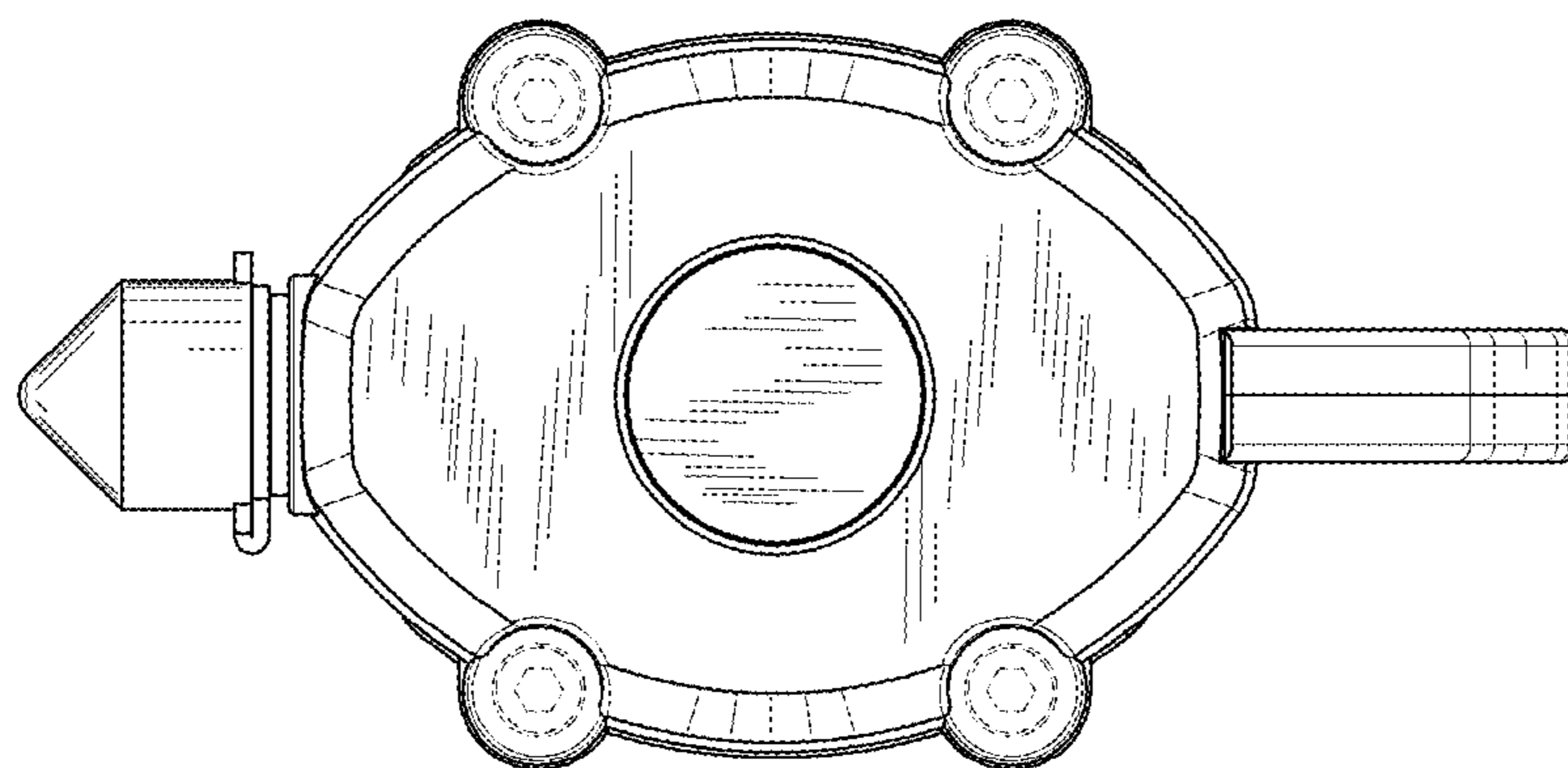


FIG. 5

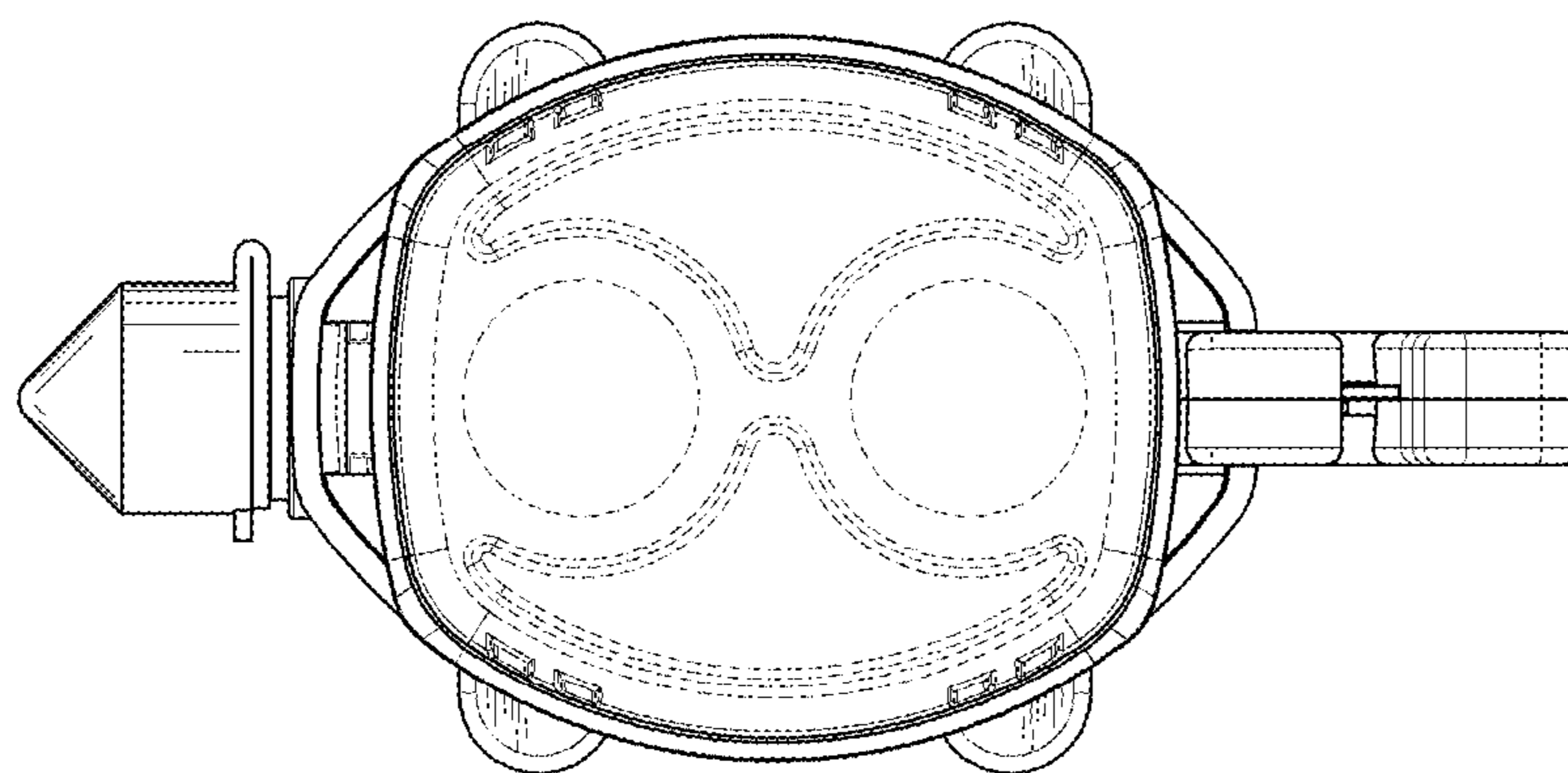


FIG. 6

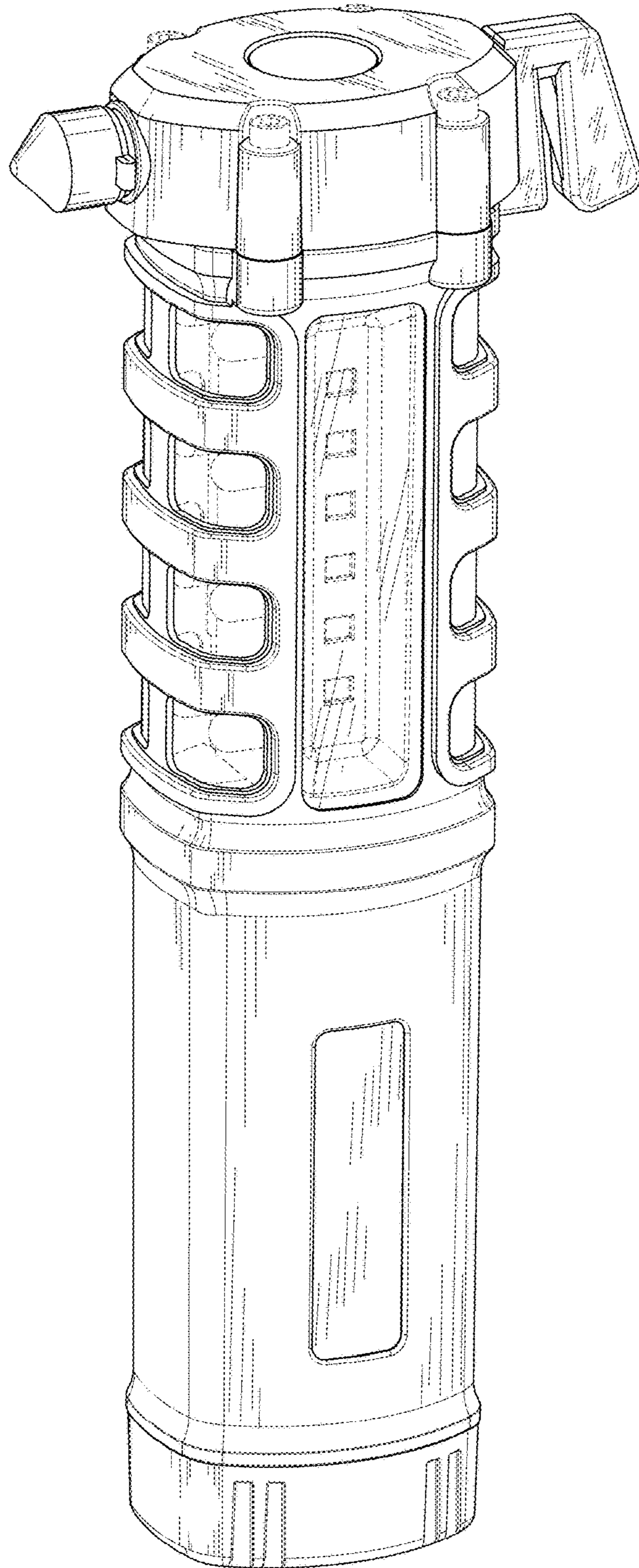


FIG. 7