



US00D818164S

(12) **United States Design Patent**
Ha et al.

(10) **Patent No.:** **US D818,164 S**

(45) **Date of Patent:** **** May 15, 2018**

(54) **HEADLAMP FOR VEHICLES**

(71) Applicant: **HYUNDAI MOTOR COMPANY**,
Seoul (KR)

(72) Inventors: **Jiwon Ha**, Suwon-si (KR); **Chanhee Lee**, Seoul (KR); **Bumyoung Song**, Seoul (KR)

(73) Assignee: **Hyundai Motor Company**, Seoul (KR)

(**) Term: **15 Years**

(21) Appl. No.: **35/502,471**

(22) Filed: **Jan. 20, 2017**

(80) **Hague Agreement Data**
 Int. Filing Date: **Jan. 20, 2017**
 Int. Reg. No.: **DM/094634**
 Int. Reg. Date: **Jan. 20, 2017**
 Int. Reg. Pub. Date: **Feb. 17, 2017**

(51) **LOC (11) Cl.** **26-06**

(52) **U.S. Cl.**
USPC **D26/28**

(58) **Field of Classification Search**
 USPC D12/86, 90, 91, 92, 114, 163, 169, 171,
 D12/172, 173, 181, 190, 196, 197, 199,
 D12/400; D26/28-36
 CPC .. B62J 6/02; B62J 6/00; B60Q 3/0279; B60Q
 1/04; B60Q 1/0408; B60Q 1/0466; B60Q
 1/2653; B60Q 1/28; F21S 48/00; F21S
 48/10; F21S 48/115; F21S 48/1233; F21S
 48/1266; F21S 48/1388; F21S 48/2268
 See application file for complete search history.

(56) **References Cited**
 U.S. PATENT DOCUMENTS
 D528,231 S * 9/2006 Ikeda D26/28
 D529,208 S * 9/2006 Ikeda D26/28

D544,614 S * 6/2007 Markefka D26/28
 D545,980 S * 7/2007 Platto D26/28
 D658,321 S * 4/2012 Takeda D26/28
 D674,940 S * 1/2013 Lai D26/28
 D676,166 S * 2/2013 Lai D26/28
 D677,813 S * 3/2013 Hanaoka D26/28
 D706,471 S * 6/2014 Lai D26/28
 D707,865 S * 6/2014 Yoshida D26/28
 D718,893 S * 12/2014 Lai D26/28
 D720,870 S * 1/2015 Lim D26/28
 D721,450 S * 1/2015 Lai D26/28
 D739,578 S * 9/2015 Han D26/28
 D742,045 S * 10/2015 Futschik D26/28
 D746,495 S * 12/2015 Gorsten Schuenemann .. D26/28
 D747,821 S * 1/2016 Yoshida D26/28
 D761,463 S * 7/2016 Lai D26/28
 D761,986 S * 7/2016 Obatake D26/28
 D765,894 S * 9/2016 Lai D26/28
 D769,477 S * 10/2016 Gunnarson D26/28
 D779,090 S * 2/2017 Giolito D26/28
 9,676,320 B2 * 6/2017 Lyon B60Q 1/0035
 D796,715 S * 9/2017 Lin D26/28
 D797,332 S * 9/2017 Lin D26/28
 D801,564 S * 10/2017 Nakamura D26/28

(Continued)

Primary Examiner — Darlington Ly
 (74) *Attorney, Agent, or Firm* — Mintz Levin Cohn Ferris
 Glovsky and Popeo, P.C.; Kongsik Kim

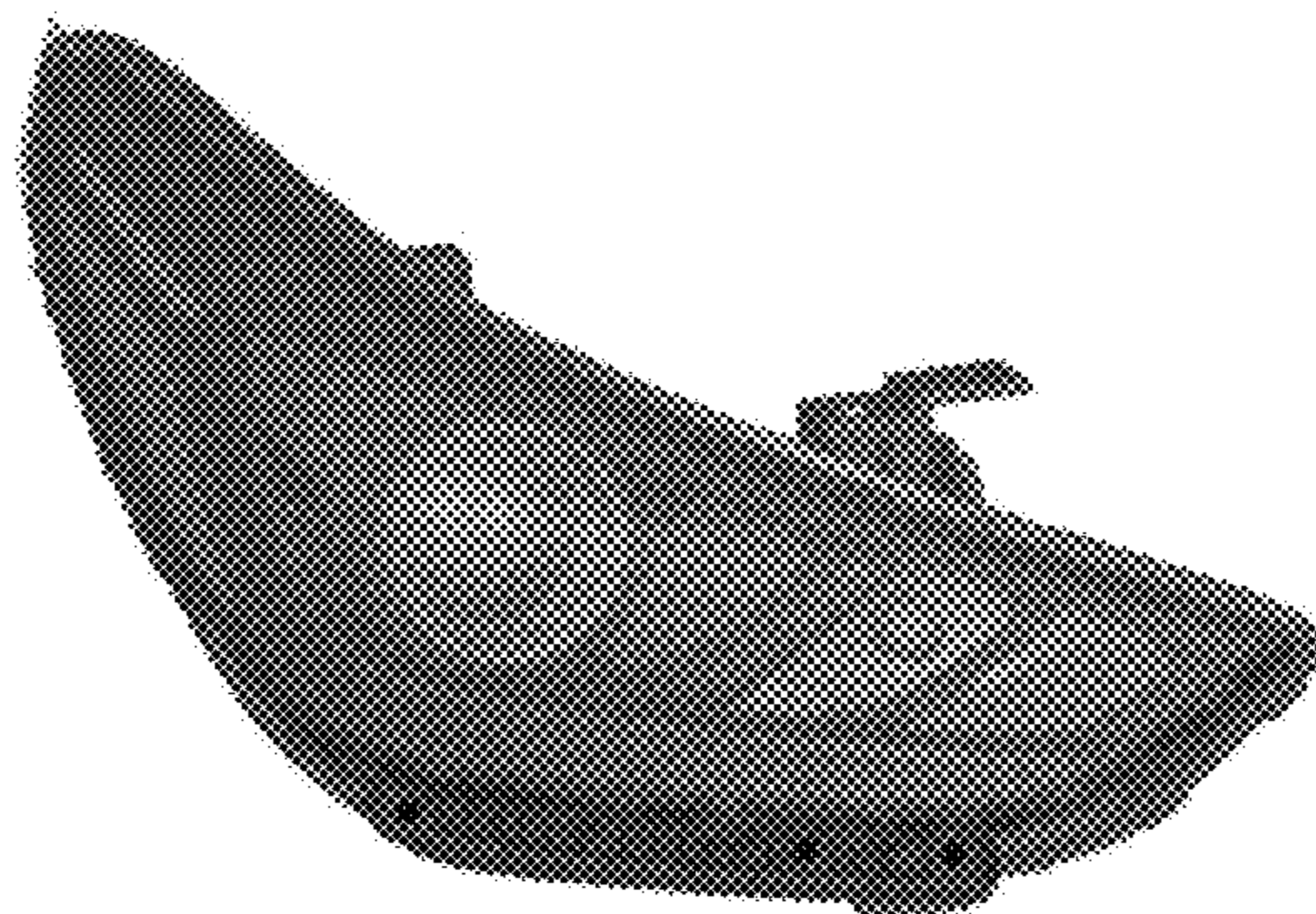
(57) **CLAIM**

The ornamental design for a headlamp for vehicles, as shown and described.

DESCRIPTION

1. Headlamp for vehicles
 1.1 is a top, front, and left side perspective view of a headlamp for vehicles showing our new design;
 1.2 is a front elevation view thereof;
 1.3 is a rear elevation view thereof;
 1.4 is a left side elevation view thereof;
 1.5 is a right side elevation view thereof;
 1.6 is a top plan view thereof; and
 1.7 is a bottom plan view thereof.

1 Claim, 7 Drawing Sheets



(56)

References Cited

U.S. PATENT DOCUMENTS

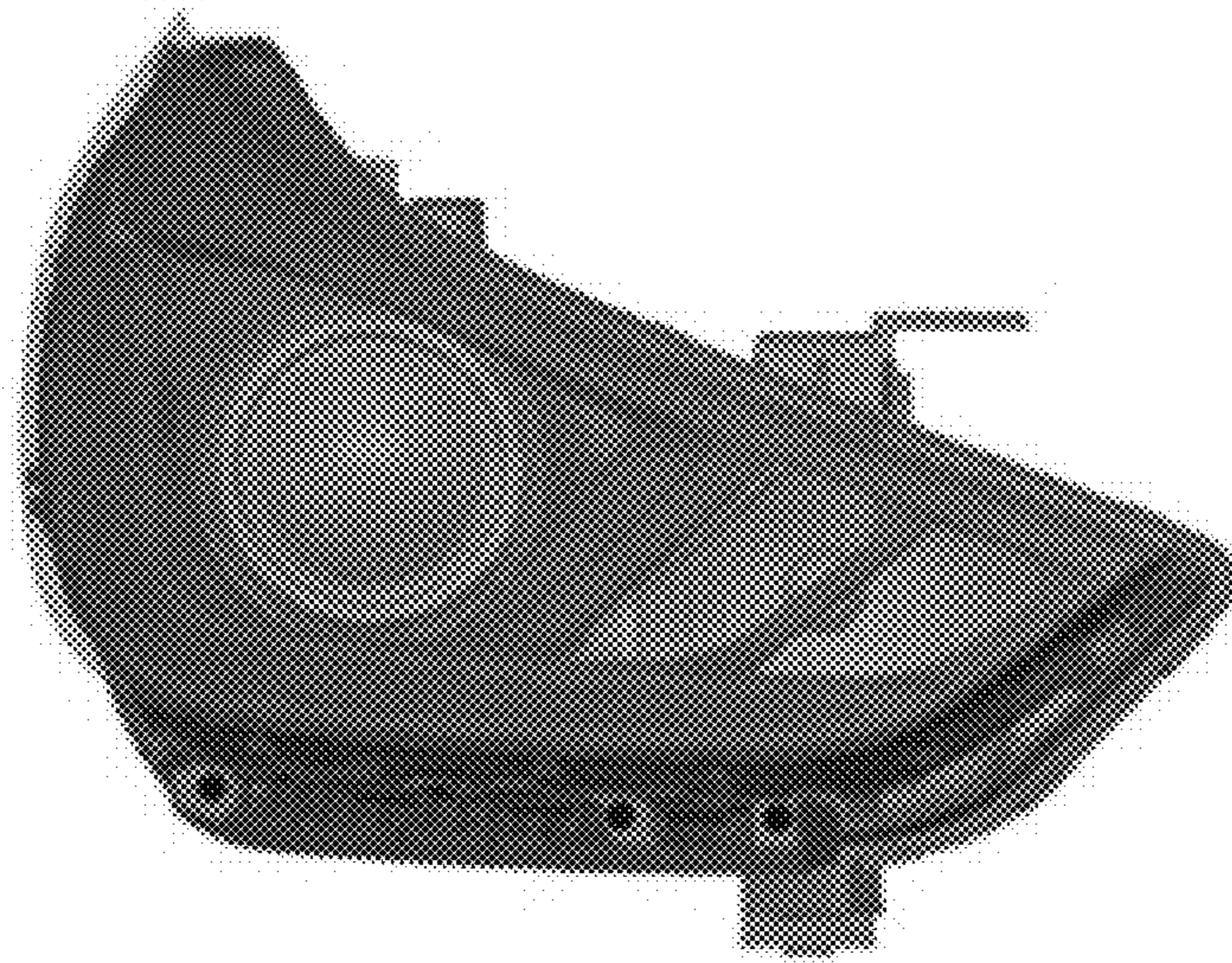
D801,567 S *	10/2017	Oh	D26/28
D802,181 S *	11/2017	Cartabiano	D26/28
D803,433 S *	11/2017	Yang	D26/28
D806,285 S *	12/2017	Kawakami	D26/28
D806,286 S *	12/2017	Kawakami	D26/28
2014/0192548 A1 *	7/2014	Kracker	F21S 48/1159 362/538

* cited by examiner

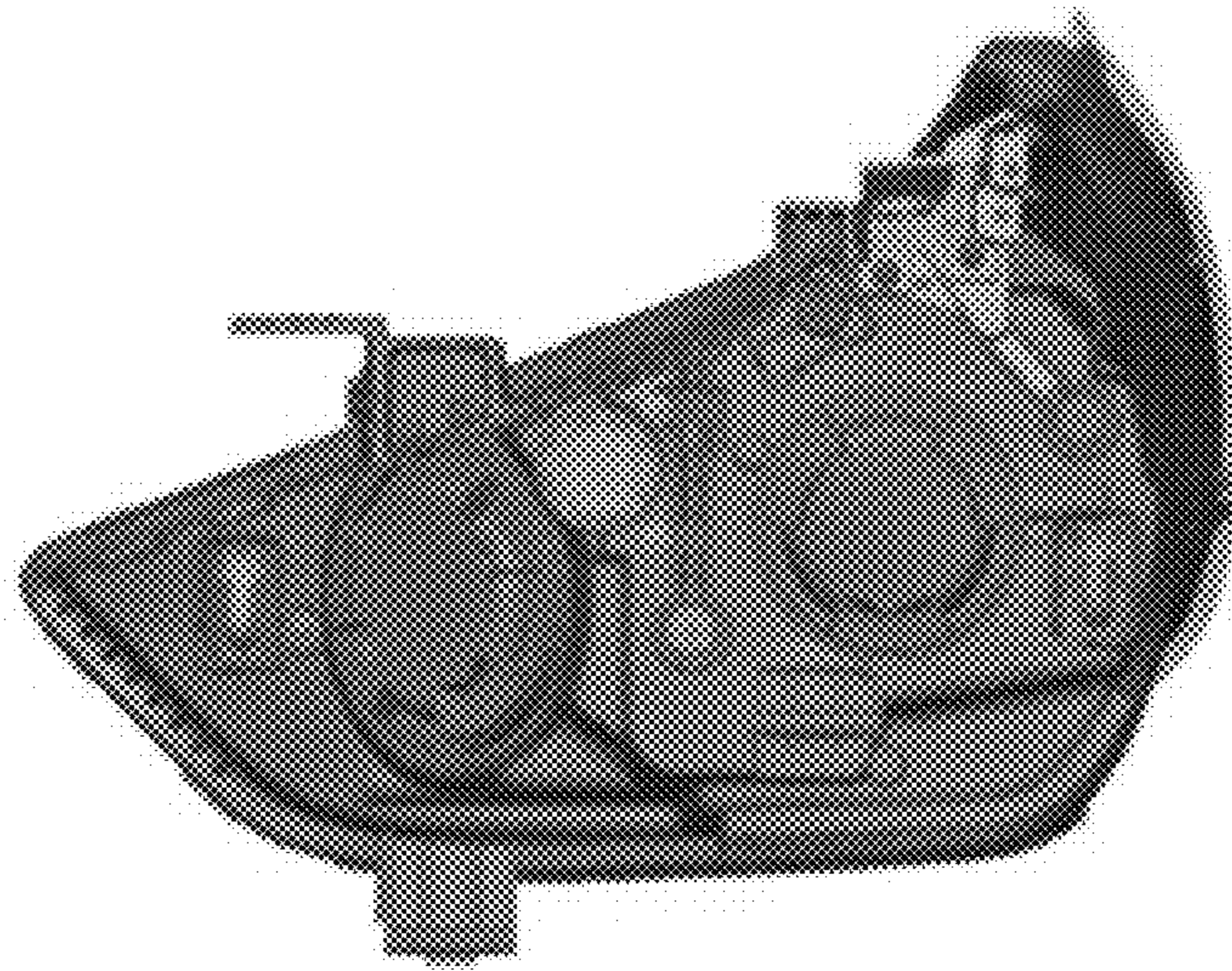
1.1



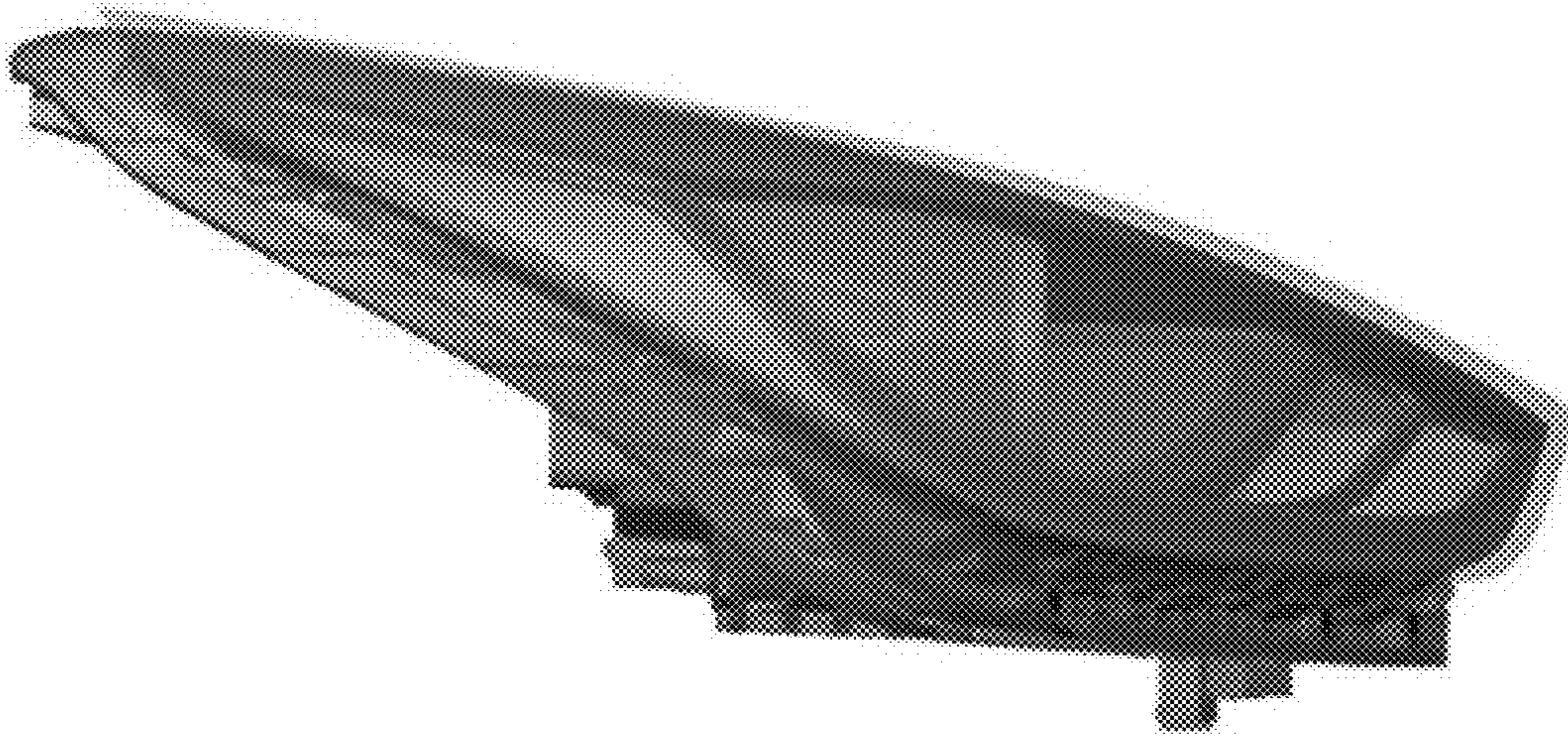
1.2



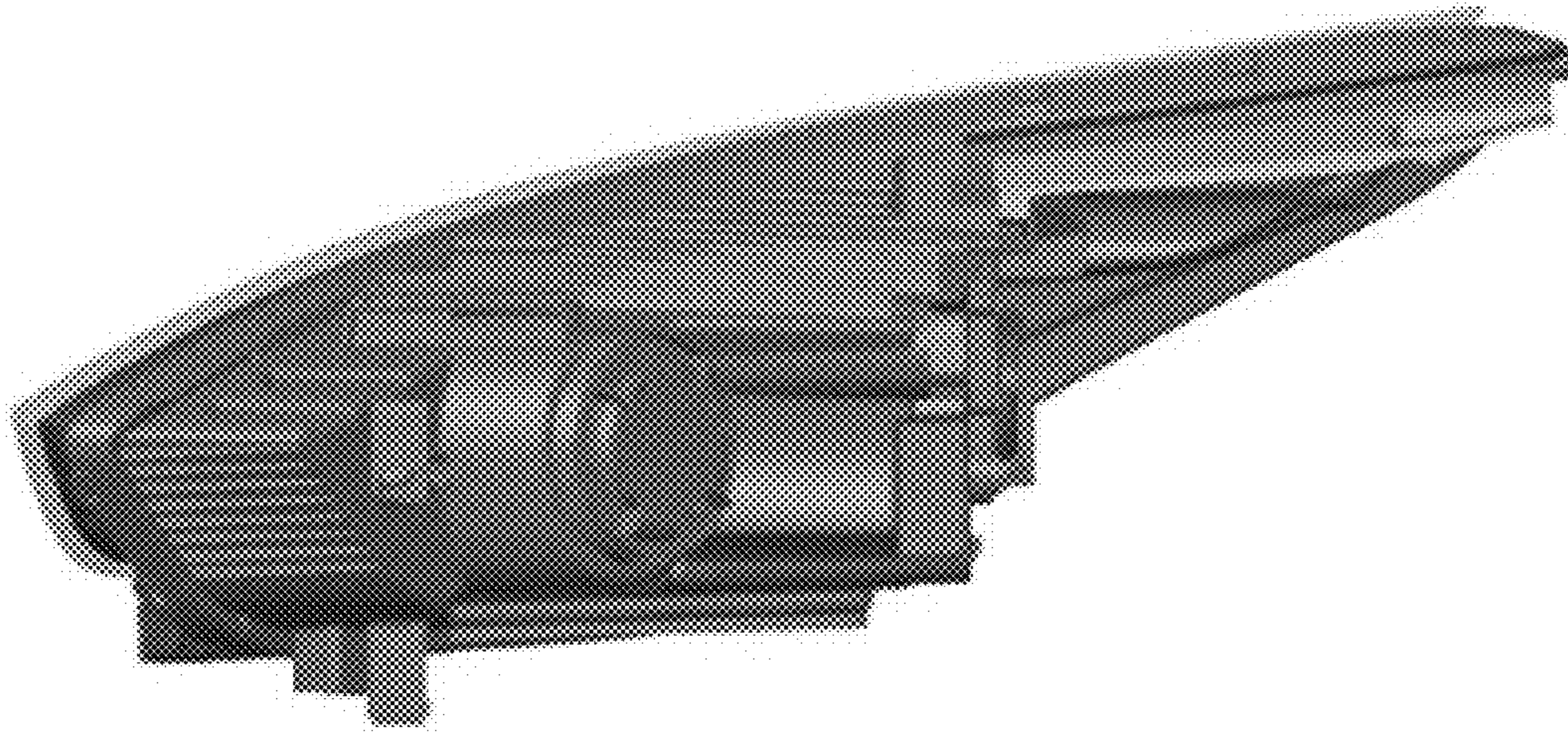
1.3



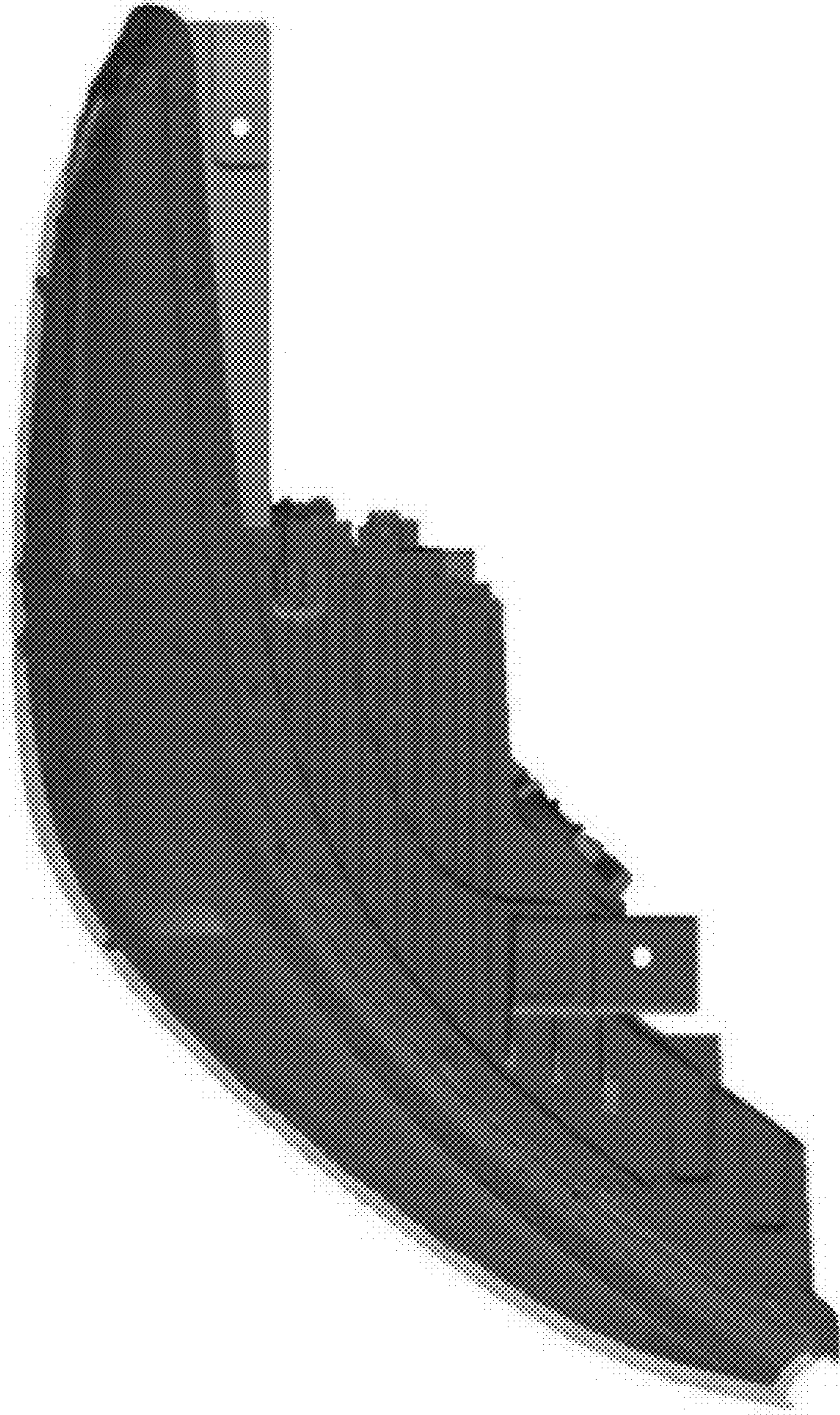
1.4



1.5



1.6



1.7

