



US00D818161S

(12) **United States Design Patent** (10) **Patent No.:** **US D818,161 S**  
**Ha et al.** (45) **Date of Patent:** **\*\* May 15, 2018**

(54) **REAR COMBINATION LAMP FOR VEHICLES**

(71) Applicant: **HYUNDAI MOTOR COMPANY**, Seoul (KR)

(72) Inventors: **Jiwon Ha**, Suwon-si (KR); **Chanhee Lee**, Seoul (KR); **Bumyoung Song**, Seoul (KR)

(73) Assignee: **Hyundai Motor Company**, Seoul (KR)

(\*\*) Term: **15 Years**

(21) Appl. No.: **35/502,468**

(22) Filed: **Jan. 20, 2017**

(80) **Hague Agreement Data**

Int. Filing Date: **Jan. 20, 2017**

Int. Reg. No.: **DM/094631**

Int. Reg. Date: **Jan. 20, 2017**

Int. Reg. Pub. Date: **Feb. 17, 2017**

(51) **LOC (11) Cl.** ..... **26-06**

(52) **U.S. Cl.**  
USPC ..... **D26/28**

(58) **Field of Classification Search**  
USPC ..... D12/86, 90, 91, 92, 114, 163, 169, 171, D12/172, 173, 181, 190, 196, 197, 199, D12/400; D26/28-36  
CPC .. B62J 6/02; B62J 6/00; B60Q 3/0279; B60Q 1/04; B60Q 1/0408; B60Q 1/0466; B60Q 1/2653; B60Q 1/28; F21S 48/00; F21S 48/10; F21S 48/115; F21S 48/1233; F21S 48/1266; F21S 48/1388; F21S 48/2268  
See application file for complete search history.

(56) **References Cited**

**U.S. PATENT DOCUMENTS**

6,280,480 B1 \* 8/2001 Tuttle ..... B60Q 1/2607 362/518  
6,286,984 B1 \* 9/2001 Berg ..... F21S 43/14 362/505

D660,483 S \* 5/2012 Gotschke ..... D26/28  
D675,353 S \* 1/2013 Kazama ..... D26/28  
D678,570 S \* 3/2013 Brendel ..... D26/28  
D708,368 S \* 7/2014 Song ..... D26/28  
D736,441 S \* 8/2015 Sperling ..... D26/28  
D749,250 S \* 2/2016 Thole ..... D26/28  
D752,781 S \* 3/2016 Choi ..... D26/28  
D764,691 S \* 8/2016 Luk ..... D26/28  
D774,220 S \* 12/2016 Lim ..... D26/28  
D774,223 S \* 12/2016 Lim ..... D26/28  
D775,378 S \* 12/2016 Hatton ..... D26/28  
D775,388 S \* 12/2016 Bucher ..... D26/28  
D786,463 S \* 5/2017 Lai ..... D26/28  
D789,575 S \* 6/2017 Willett ..... D26/28  
D791,375 S \* 7/2017 Lichte ..... D26/28  
D798,477 S \* 9/2017 Lai ..... D26/28  
D798,478 S \* 9/2017 Haeussinger ..... D26/28  
D806,919 S \* 1/2018 Hatton ..... D26/28

(Continued)

*Primary Examiner* — Darlington Ly

(74) *Attorney, Agent, or Firm* — Mintz Levin Cohn Ferris Glovsky and Popeo, P.C.; Kongsik Kim

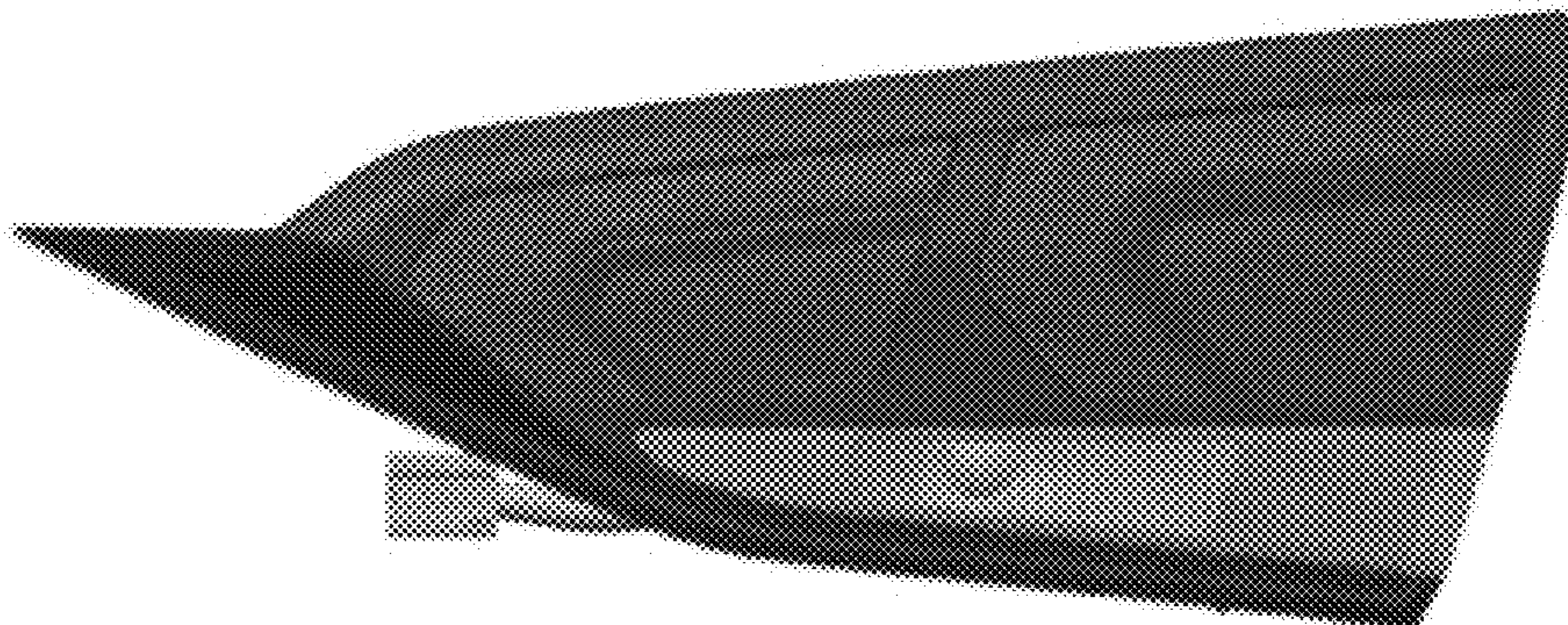
(57) **CLAIM**

The ornamental design for a rear combination lamp for vehicles, as shown and described.

**DESCRIPTION**

- 1. Rear combination lamp for vehicles
- 1.1 is a top, front, and right side perspective view of a rear combination lamp for vehicles showing our new design;
- 1.2 is a front elevation view thereof;
- 1.3 is a rear elevation view thereof;
- 1.4 is a left side elevation view thereof;
- 1.5 is a right side elevation view thereof;
- 1.6 is a top plan view thereof; and
- 1.7 is a bottom plan view thereof.

**1 Claim, 7 Drawing Sheets**



(56)

**References Cited**

U.S. PATENT DOCUMENTS

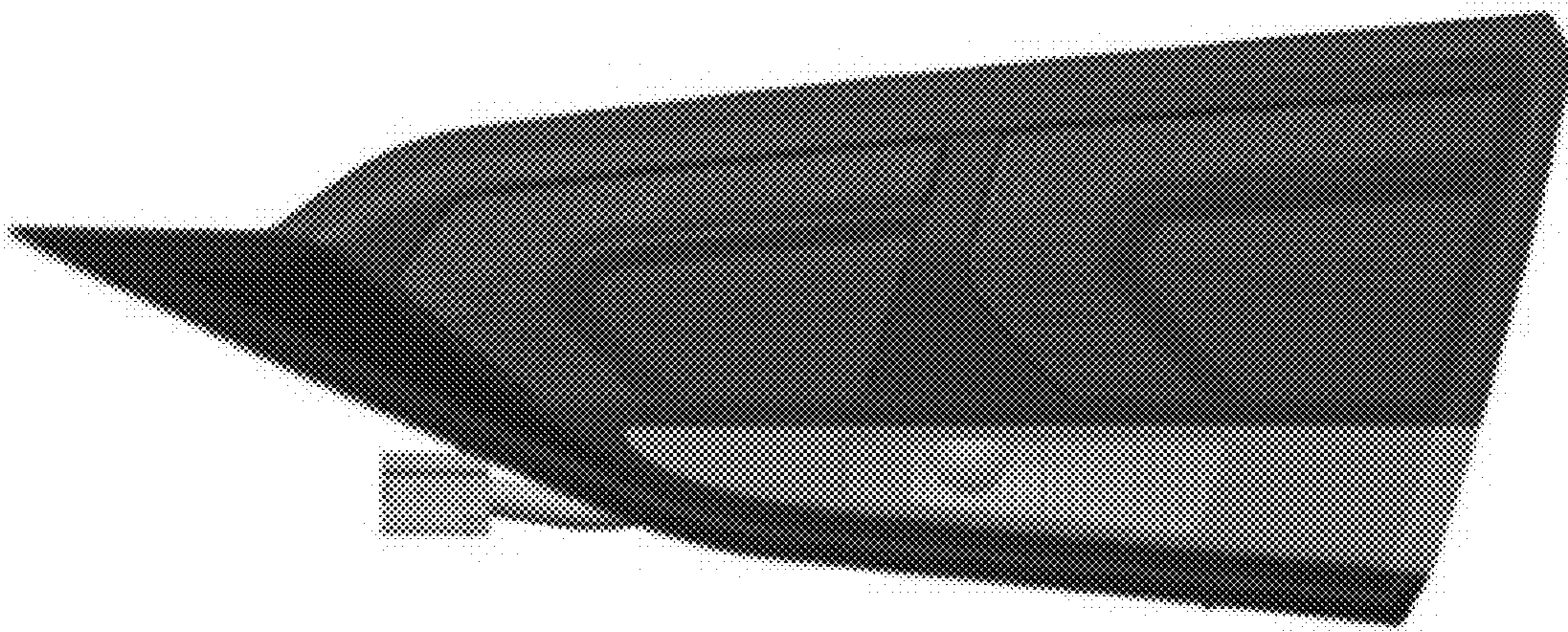
2014/0160779 A1\* 6/2014 Pusch ..... F21S 48/236  
362/511  
2016/0332561 A1\* 11/2016 Tseng ..... B60Q 1/30  
2017/0292674 A1\* 10/2017 Wu ..... F21S 48/2281

\* cited by examiner

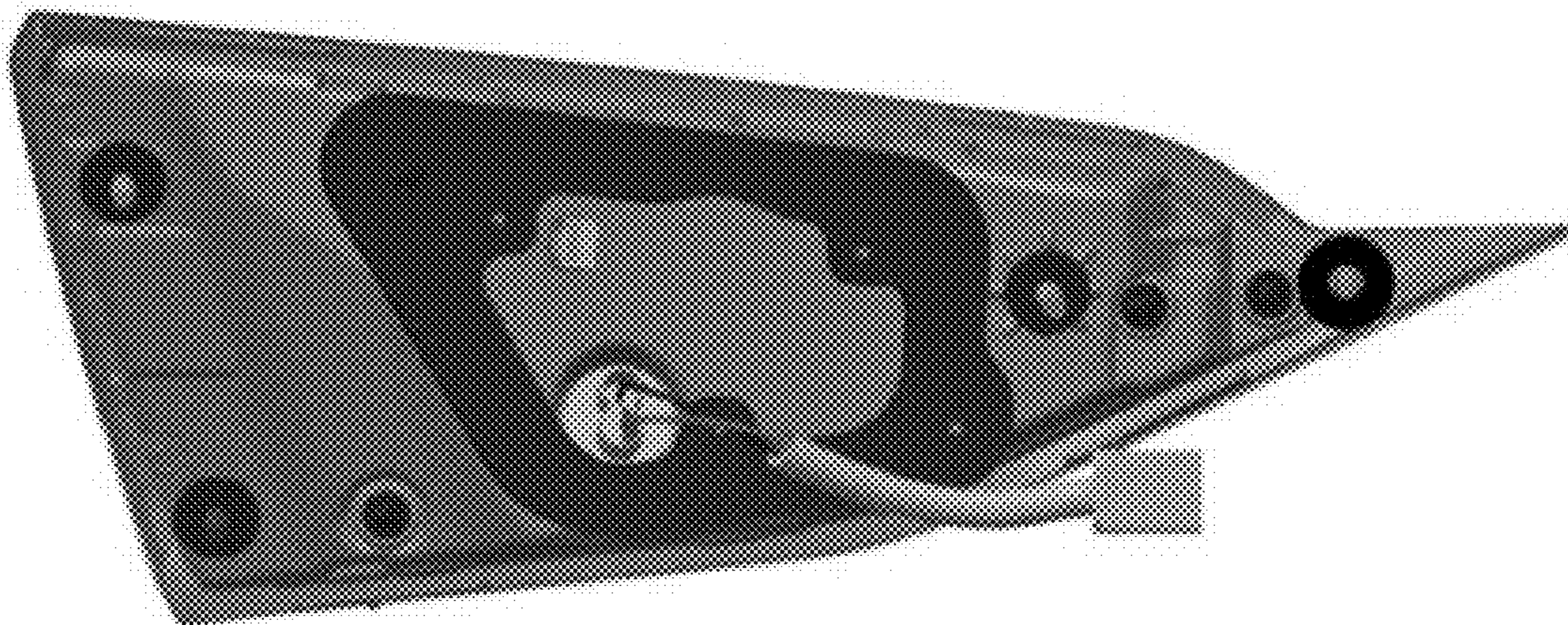
**1.1**



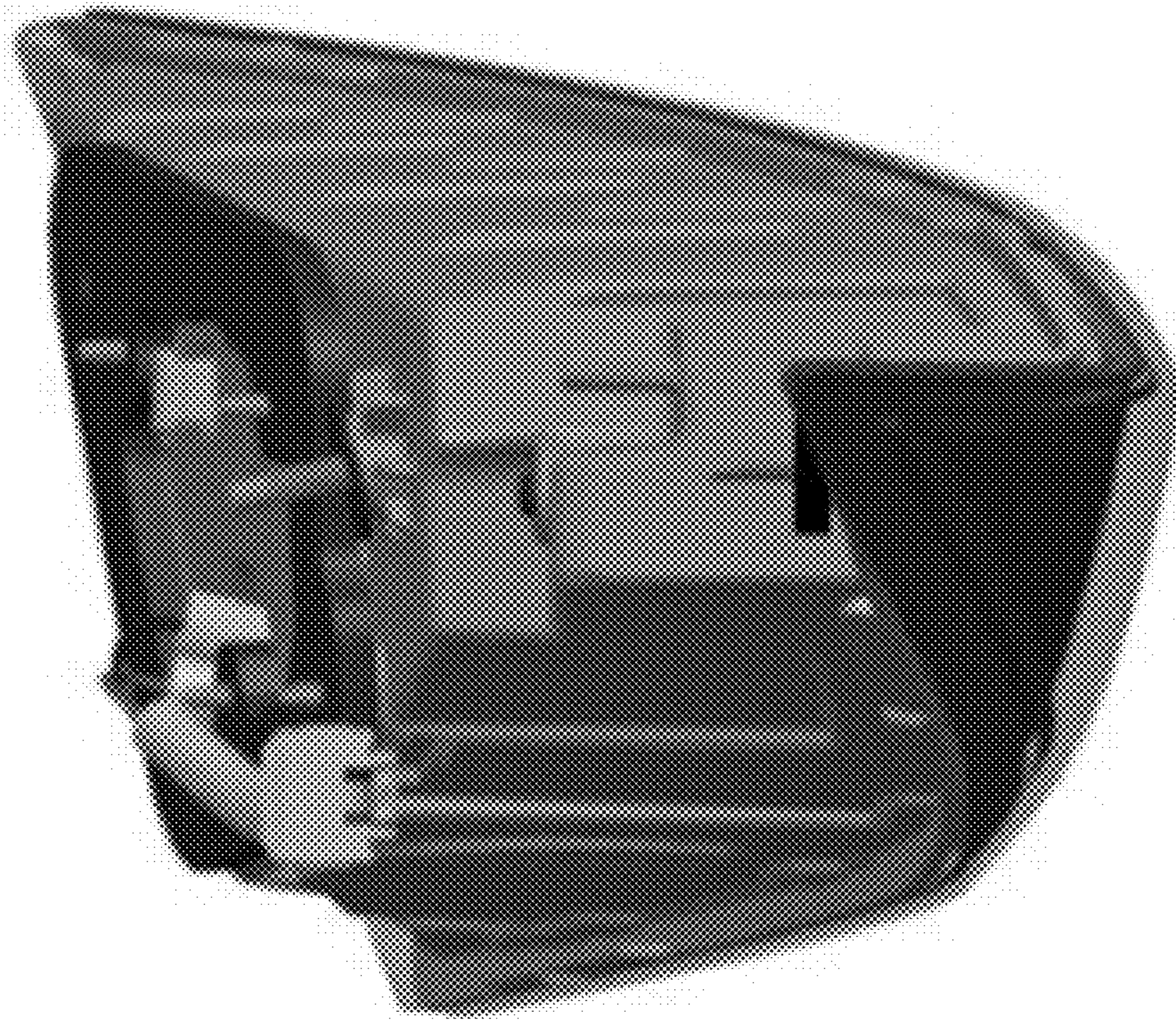
**1.2**



**1.3**



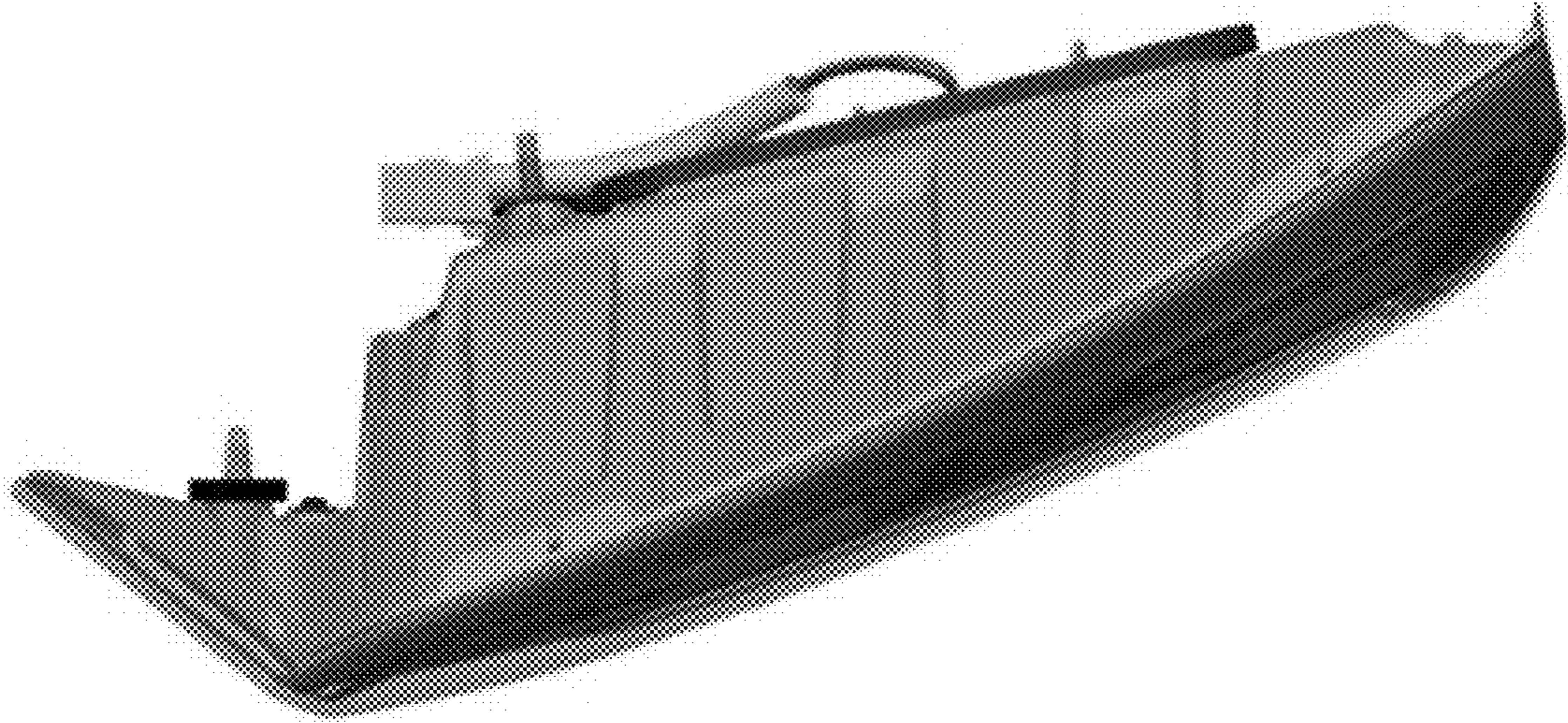
**1.4**



**1.5**



**1.6**





**1.7**

