



US00D818154S

(12) **United States Design Patent** (10) **Patent No.:** **US D818,154 S**  
**Feit** (45) **Date of Patent:** **\*\* May 15, 2018**

- (54) **LIGHT EMITTING DIODE LAMP**
- (71) Applicant: **Feit Electric Company, Inc.**, Pico Rivera, CA (US)
- (72) Inventor: **Alan Barry Feit**, Encino, CA (US)
- (73) Assignee: **Feit Electric Company, Inc.**, Pico Rivera, CA (US)
- (\*\*) Term: **15 Years**
- (21) Appl. No.: **29/601,541**
- (22) Filed: **Apr. 24, 2017**

D715,465 S	10/2014	Hasuo et al.	
8,979,315 B2	3/2015	Osawa et al.	
D736,967 S	8/2015	Auernhammer et al.	
D742,039 S	10/2015	Yu	
D745,981 S	12/2015	Goscha et al.	
D745,982 S	12/2015	Goscha et al.	
D746,490 S	12/2015	Goscha et al.	
D757,963 S	5/2016	Auernhammer et al.	
D762,886 S	8/2016	Zhang et al.	
D769,475 S	10/2016	Moon et al.	
D775,745 S	1/2017	Zolotykh et al.	
D775,746 S	1/2017	Zolotykh et al.	
D791,365 S *	7/2017	Feit .....	D26/2
D804,690 S *	12/2017	Xu .....	D26/2
D805,660 S *	12/2017	Creasman .....	D26/2
2014/0368109 A1	12/2014	Goscha et al.	

\* cited by examiner

**Related U.S. Application Data**

- (63) Continuation of application No. 29/519,247, filed on Mar. 3, 2015, now Pat. No. Des. 791,365.
- (51) **LOC (11) Cl.** ..... **26-04**
- (52) **U.S. Cl.**  
USPC ..... **D26/2**
- (58) **Field of Classification Search**  
USPC ..... D26/1-4; 313/313, 315, 316, 317, 318, 313/493; 315/52, 53, 56, 57, 58  
CPC ..... F21V 29/00  
See application file for complete search history.

*Primary Examiner* — Lakiya G Rogers

*Assistant Examiner* — Harold E Blackwell, II

(74) *Attorney, Agent, or Firm* — Alston & Bird LLP

(57) **CLAIM**

The ornamental design for an LED lamp, as shown and described.

**DESCRIPTION**

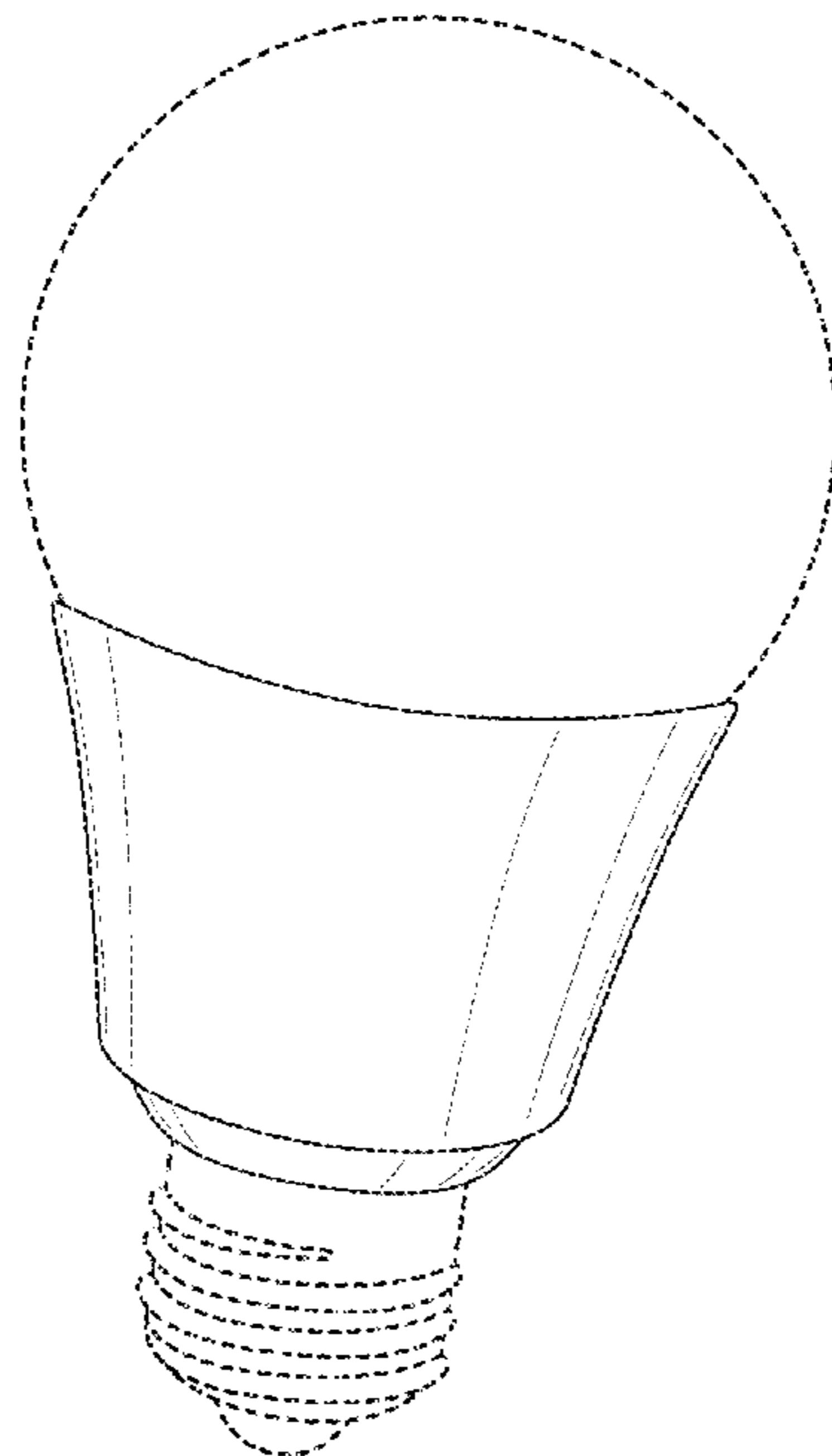
FIG. 1 is a perspective view of an LED lamp according to an exemplary embodiment of the present design; FIG. 2 is a front view of the LED lamp shown in FIG. 1; FIG. 3 is a top view of the LED lamp shown in FIG. 1; and, FIG. 4 is a bottom view of the LED lamp shown in FIG. 1. The broken lines in the drawings illustrate portions of the light emitting diode lamp, which form no part of the claimed design.

**1 Claim, 4 Drawing Sheets**

(56) **References Cited**

**U.S. PATENT DOCUMENTS**

D506,840 S	6/2005	Van de Ven et al.
D648,463 S	11/2011	Kim et al.
D648,874 S	11/2011	Kim et al.
D648,875 S	11/2011	Kim et al.
D652,543 S	1/2012	Kim et al.



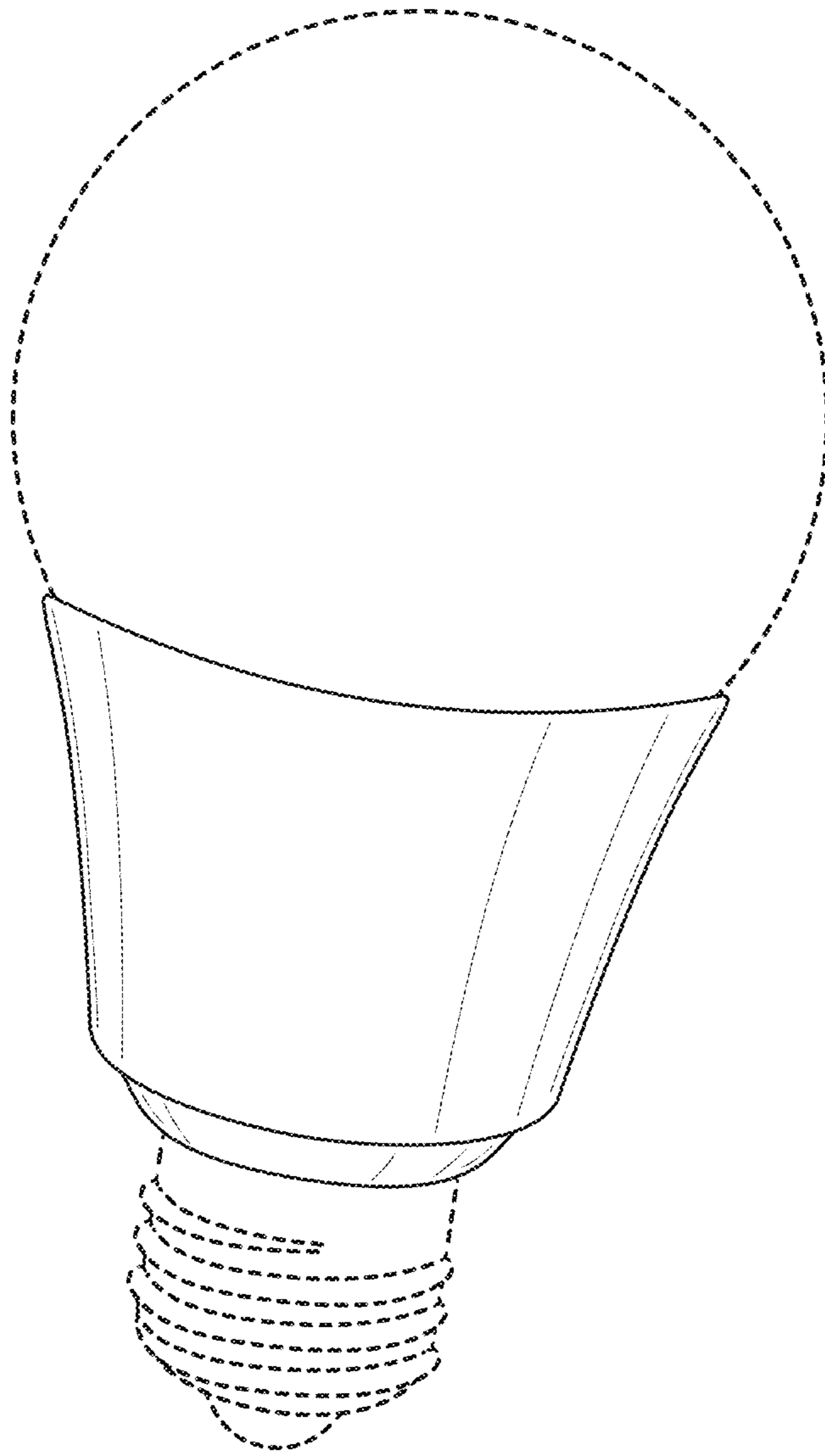


FIG. 1

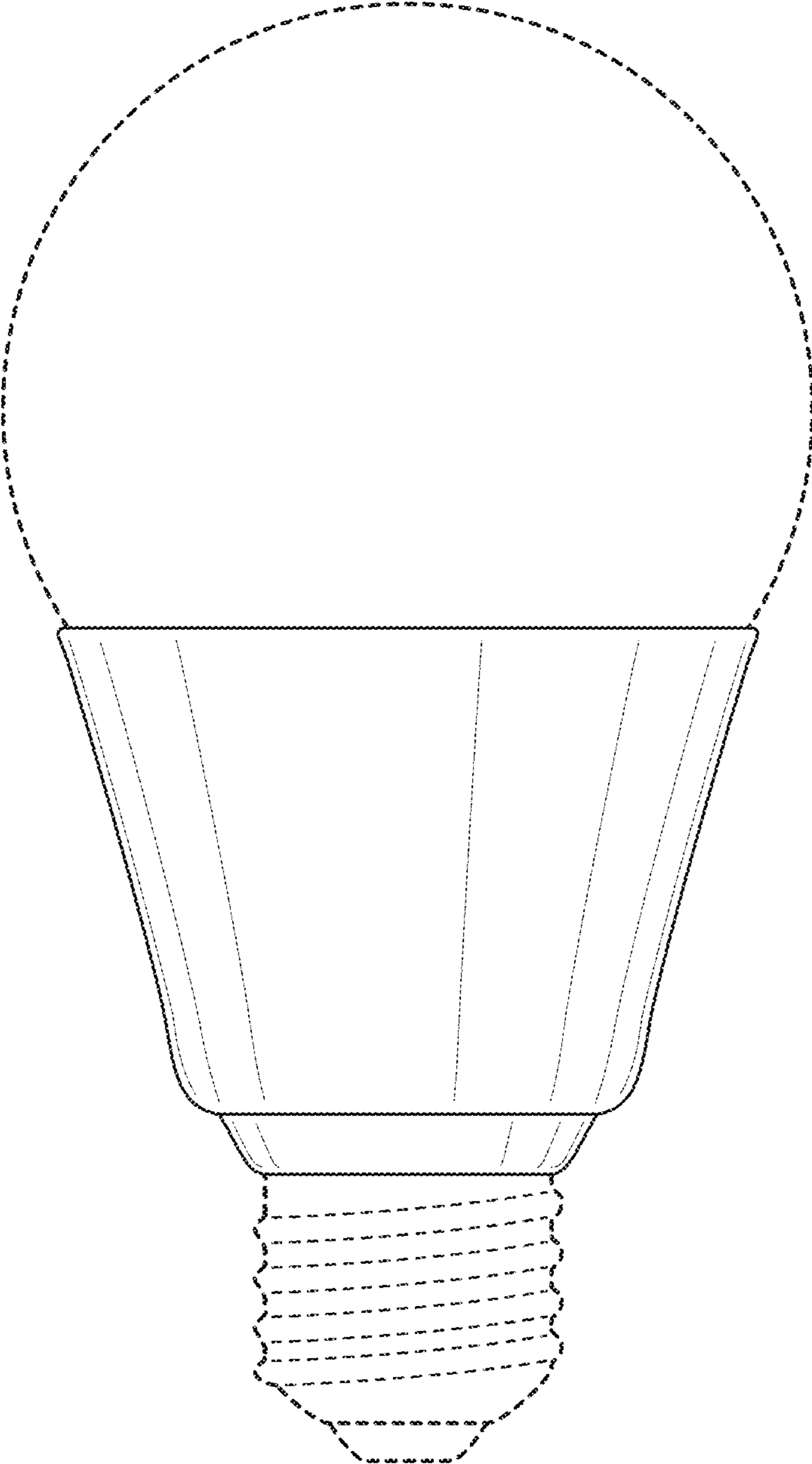


FIG. 2

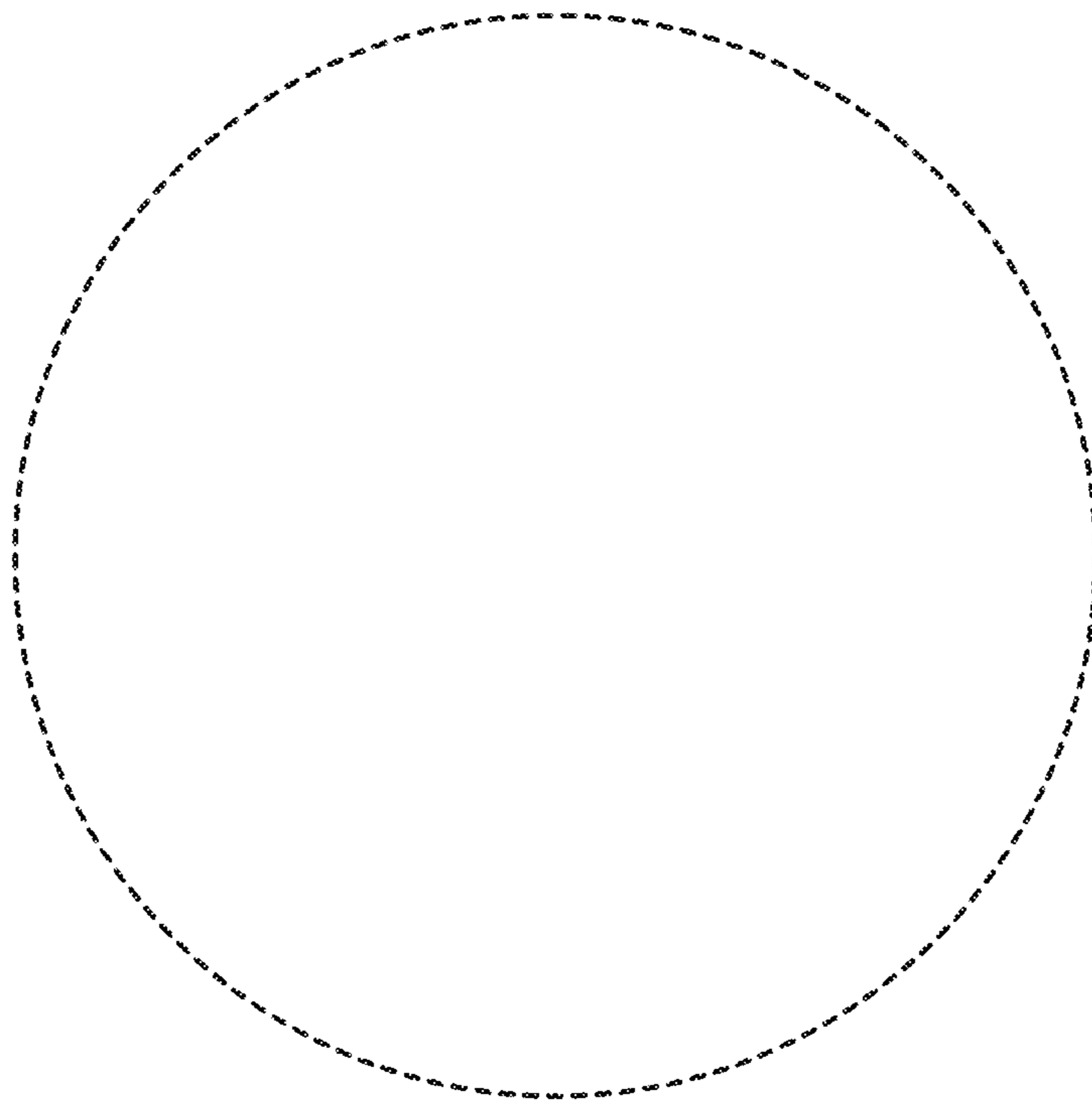


FIG. 3

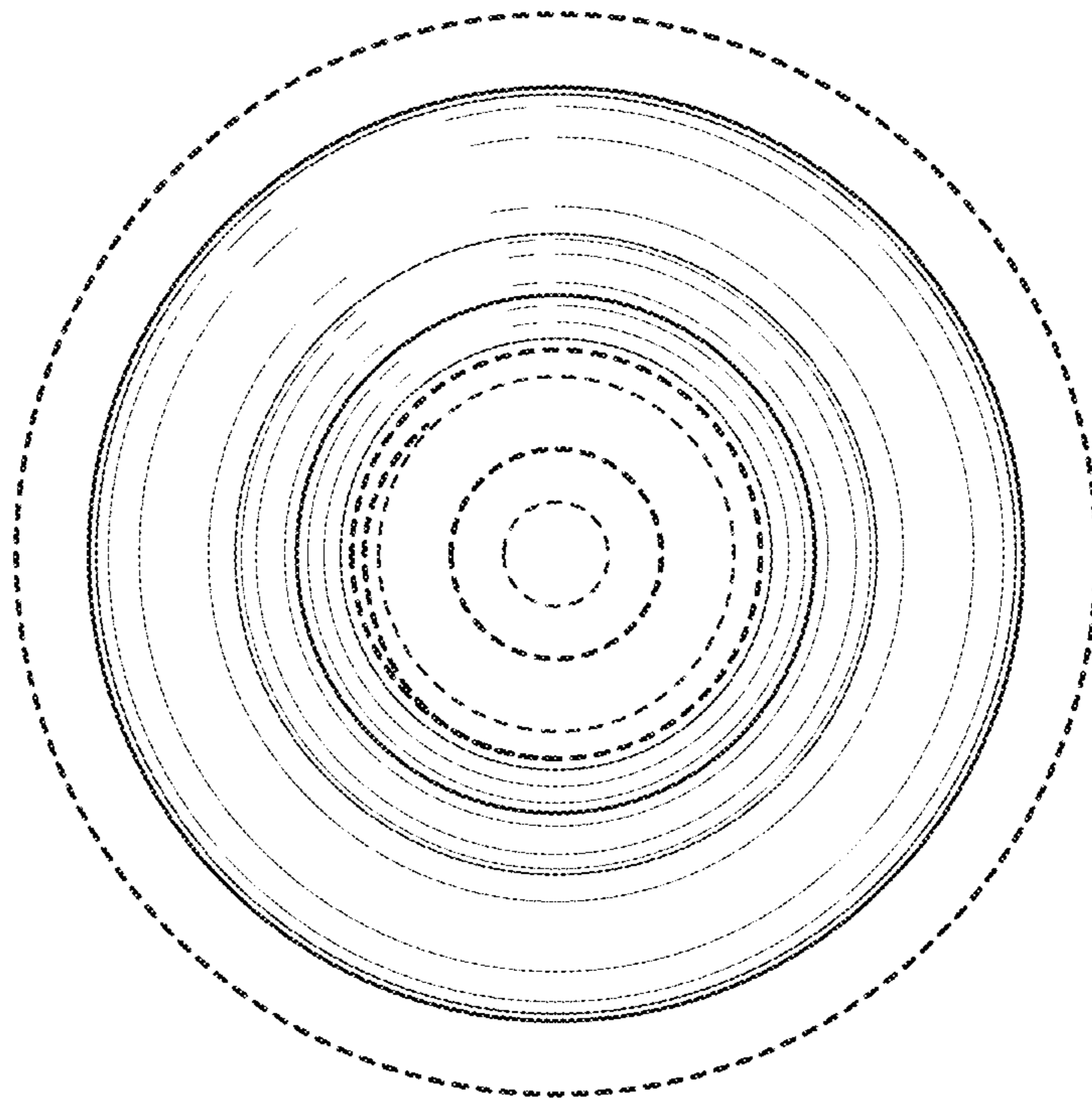


FIG. 4