



US00D818153S

(12) **United States Design Patent**
Feit

(10) **Patent No.:** **US D818,153 S**
(45) **Date of Patent:** **** May 15, 2018**

- (54) **DECORATIVE LAMP FILAMENT**
- (71) Applicant: **Feit Electric Company, Inc.**, Pico Rivera, CA (US)
- (72) Inventor: **Alan Barry Feit**, Encino, CA (US)
- (73) Assignee: **Feit Electric Company, Inc.**, Pico Rivera, CA (US)
- (**) Term: **14 Years**
- (21) Appl. No.: **29/520,892**
- (22) Filed: **Mar. 18, 2015**
- (51) **LOC (11) Cl.** **26-04**
- (52) **U.S. Cl.**
USPC **D26/2**
- (58) **Field of Classification Search**
USPC 13/313, 315, 317, 318, 493; 315/52, 53, 315/56, 57, 58; D26/1-4
CPC H01K 1/18
See application file for complete search history.

(56) **References Cited**

U.S. PATENT DOCUMENTS

- 1,457,239 A * 5/1923 Volpian H01K 1/18
313/279
- 1,552,835 A * 9/1925 Foulk H01K 1/18
313/272
- 1,957,242 A * 5/1934 Berger H01K 1/14
140/71.5
- 1,961,509 A * 6/1934 Ruben H01K 1/10
252/521.3
- 1,981,878 A * 11/1934 Ruben H01K 3/02
148/277

- 6,774,546 B2 * 8/2004 Gibboney, Jr. H01K 1/14
313/271
- 8,796,910 B2 * 8/2014 Jung H01K 1/18
313/274
- 8,890,401 B2 * 11/2014 Bailey F21K 9/52
313/501
- 9,732,913 B2 * 8/2017 Weekamp F21K 9/237

* cited by examiner

Primary Examiner — Lakiya G Rogers
Assistant Examiner — Harold E Blackwell, II
(74) *Attorney, Agent, or Firm* — Alston & Bird LLP

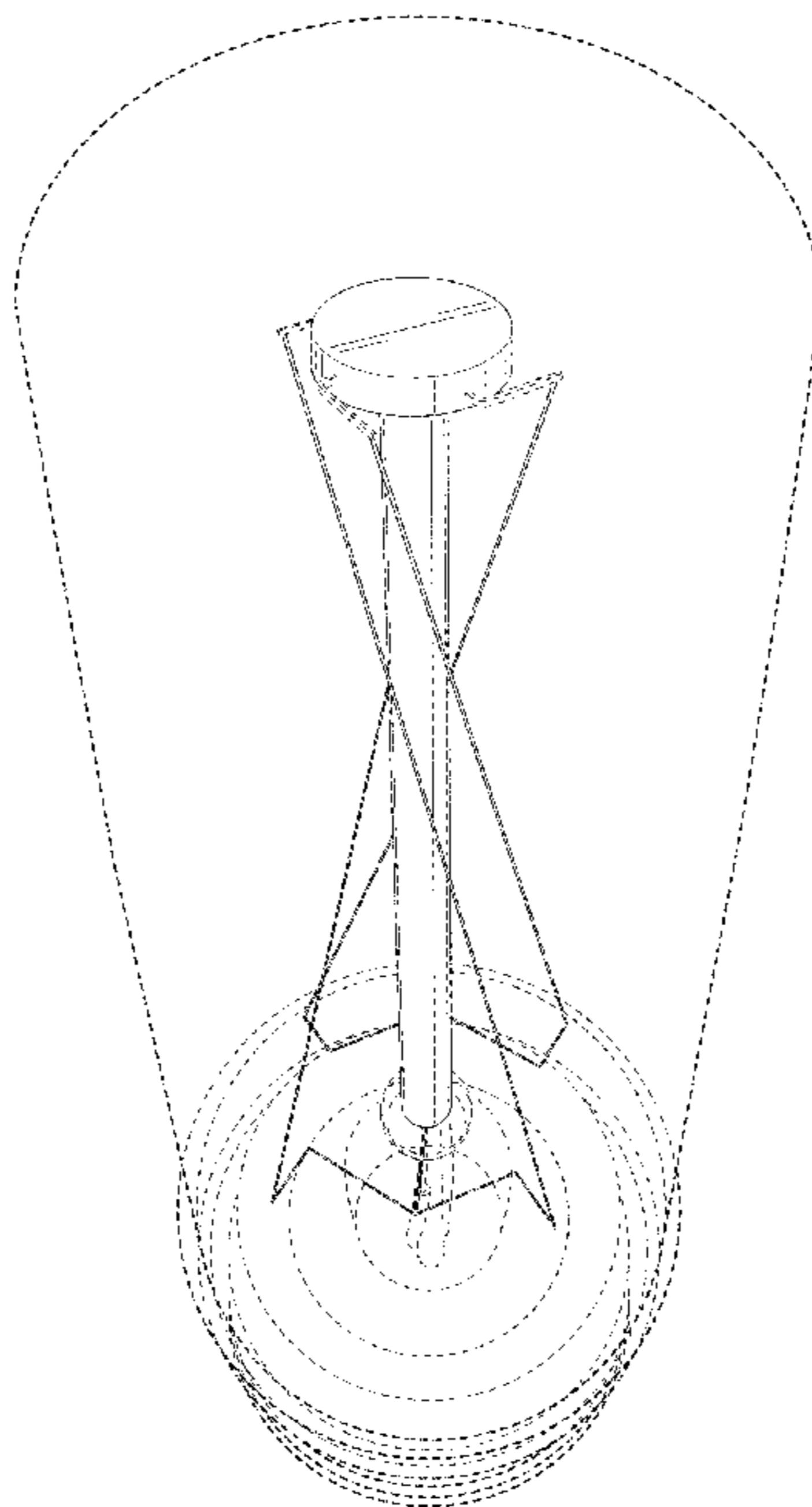
(57) **CLAIM**

The ornamental design for a decorative lamp filament, as shown and described.

DESCRIPTION

FIG. 1 is a perspective view of a decorative lamp filament according to the present design;
FIG. 2 is a front view of the decorative lamp filament shown in FIG. 1;
FIG. 3 is a back view of the decorative lamp filament shown in FIG. 1;
FIG. 4 is a first side view of the decorative lamp filament shown in FIG. 1;
FIG. 5 is a second side view of the decorative lamp filament shown in FIG. 1;
FIG. 6 is a top view of the decorative lamp filament shown in FIG. 1; and,
FIG. 7 is a bottom view of the decorative lamp filament shown in FIG. 1.
Applicant respectfully submits that the broken or dashed line format lines shown herein are for illustrative purposes only and form no part of the claimed design.

1 Claim, 6 Drawing Sheets



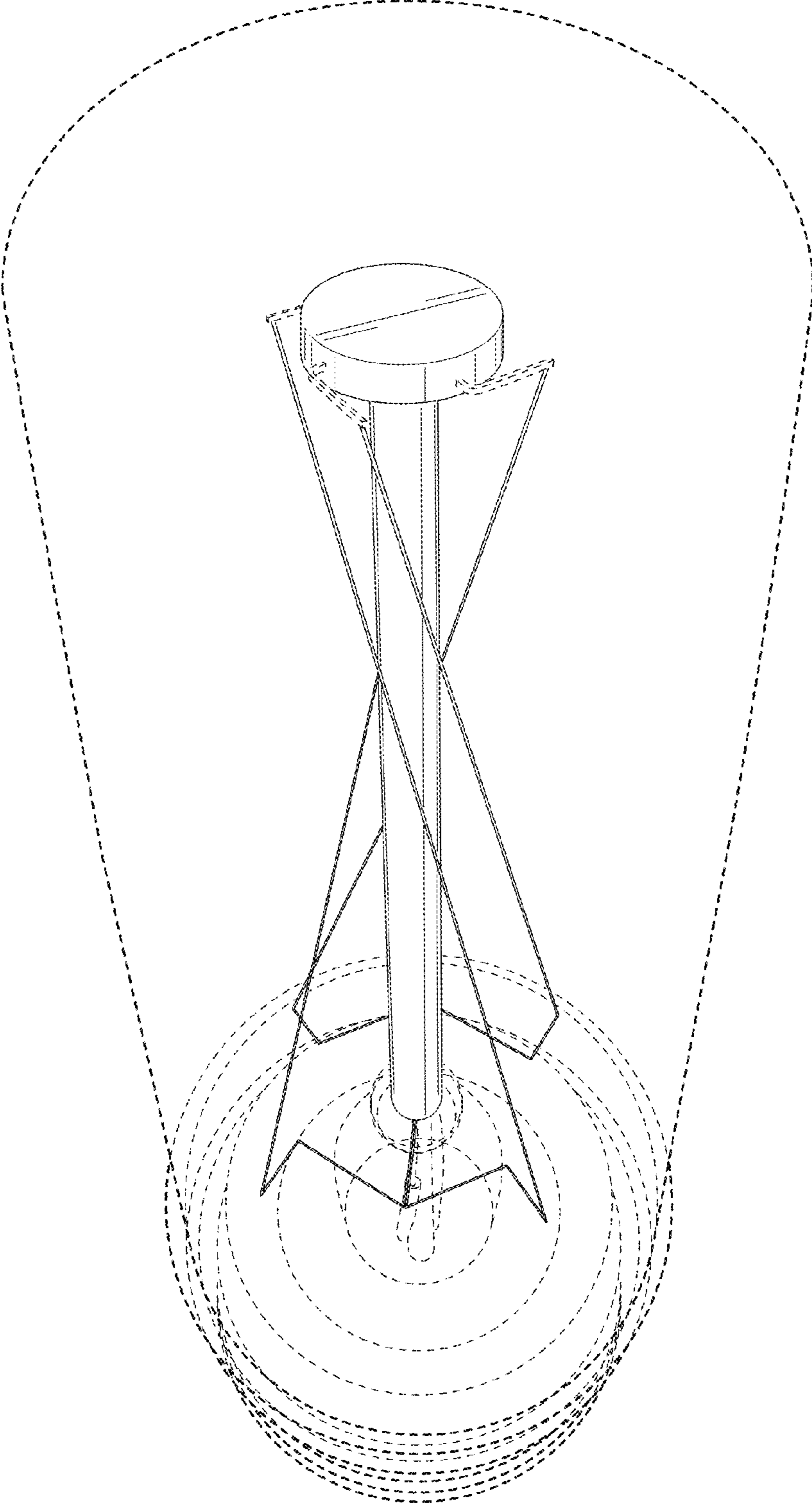


FIG. 1

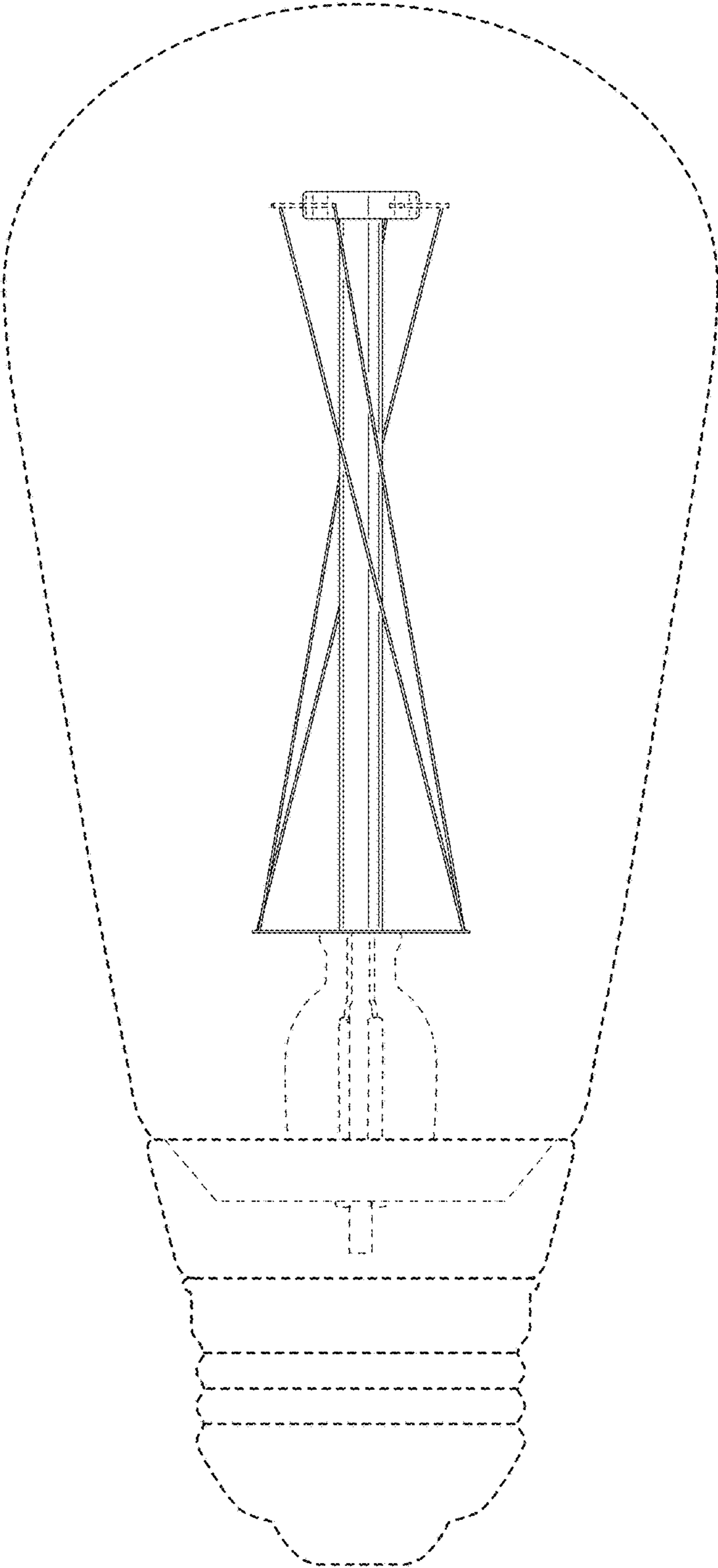


FIG. 2

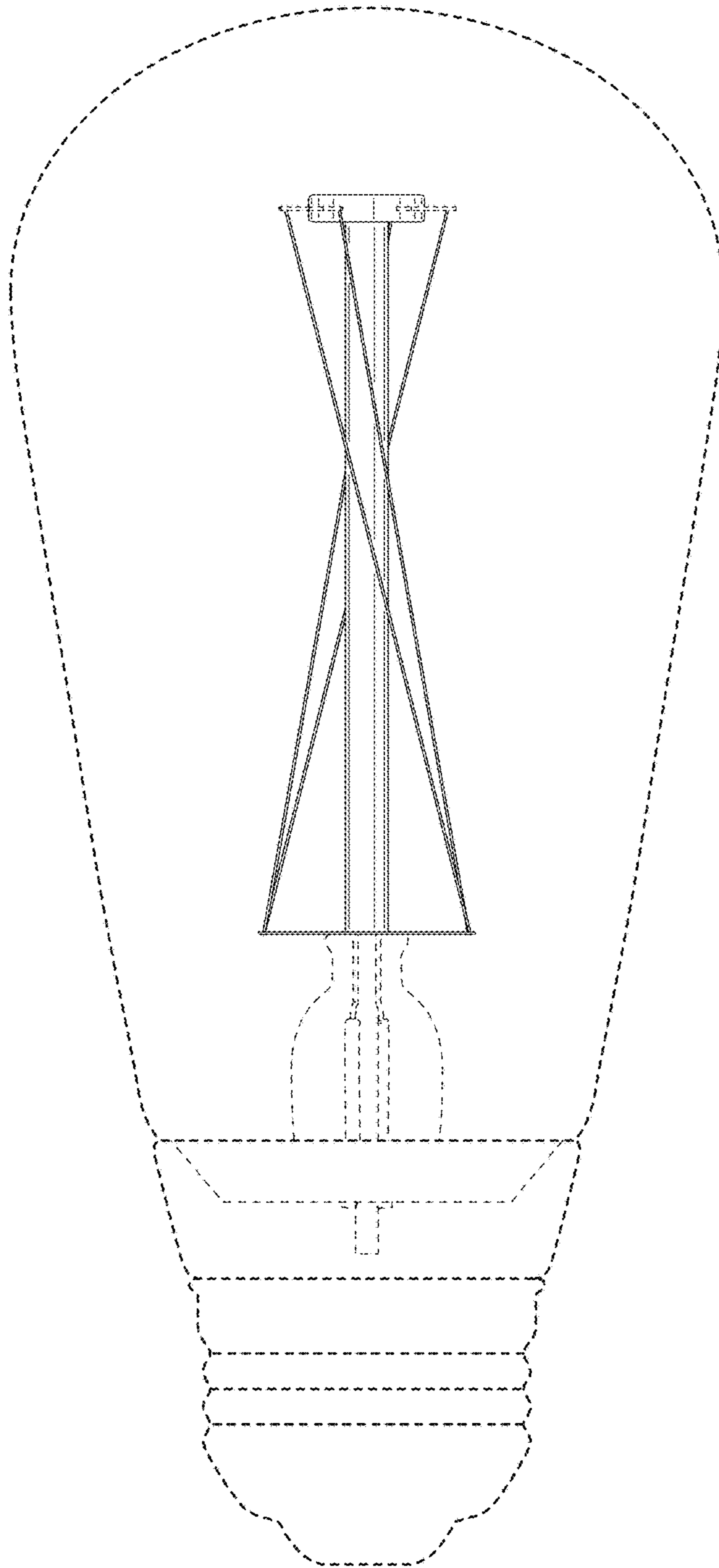


FIG. 3

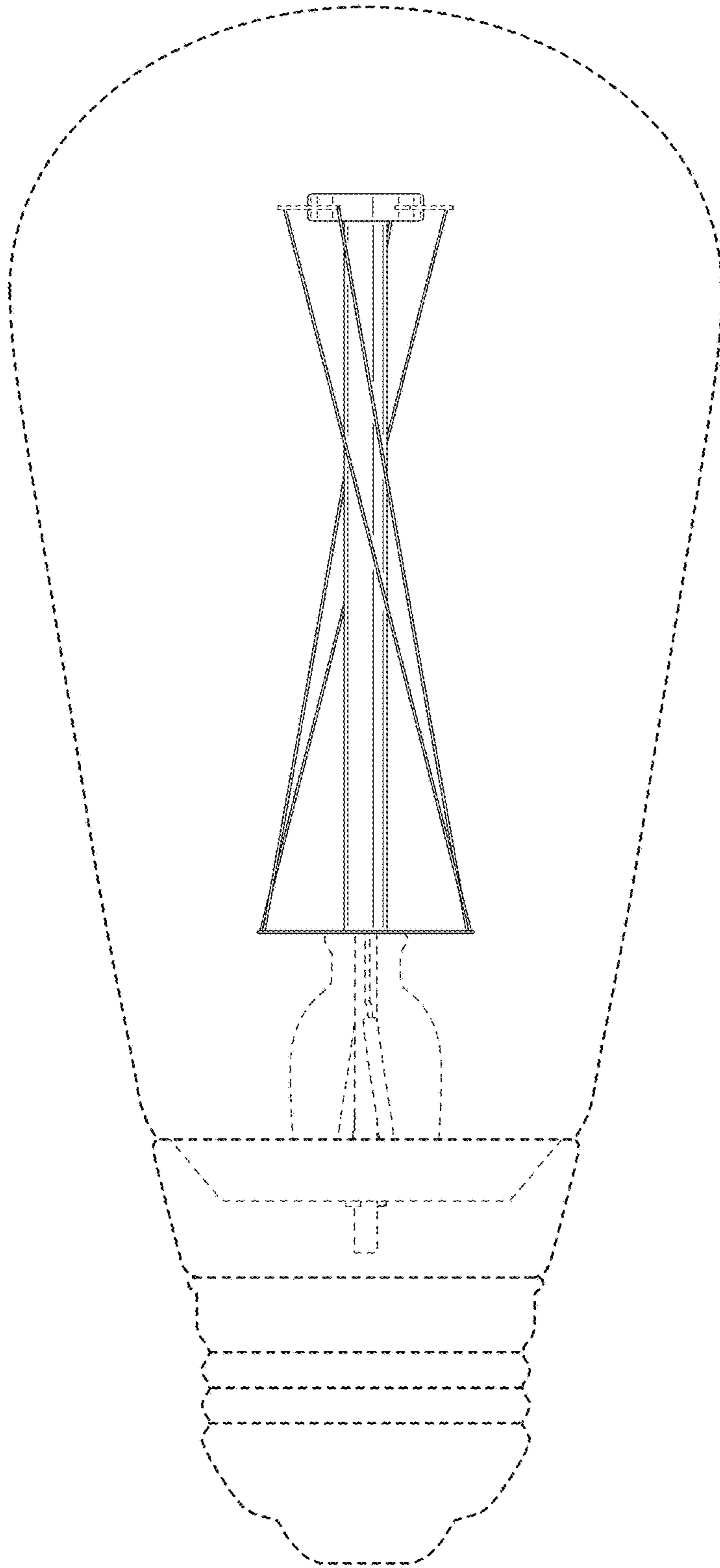


FIG. 4

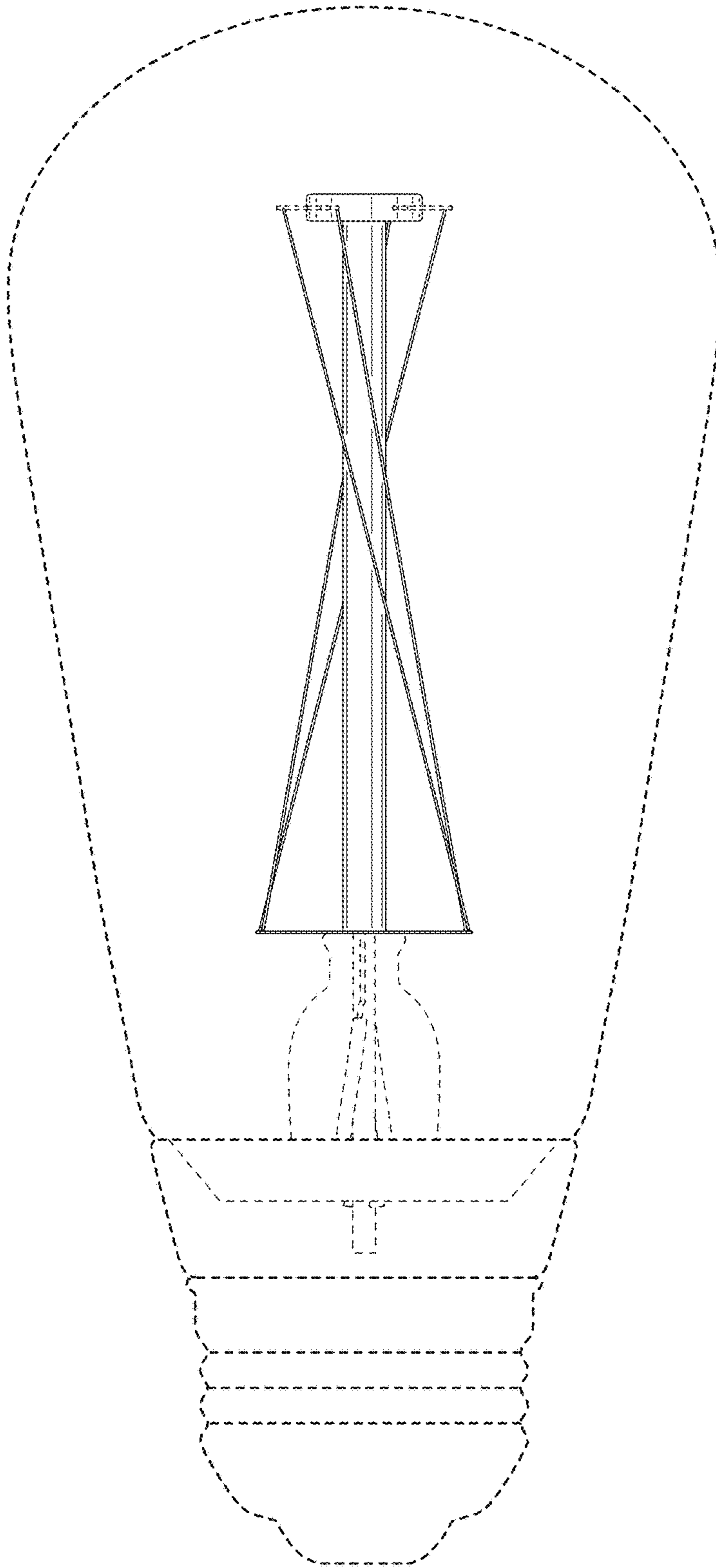


FIG. 5

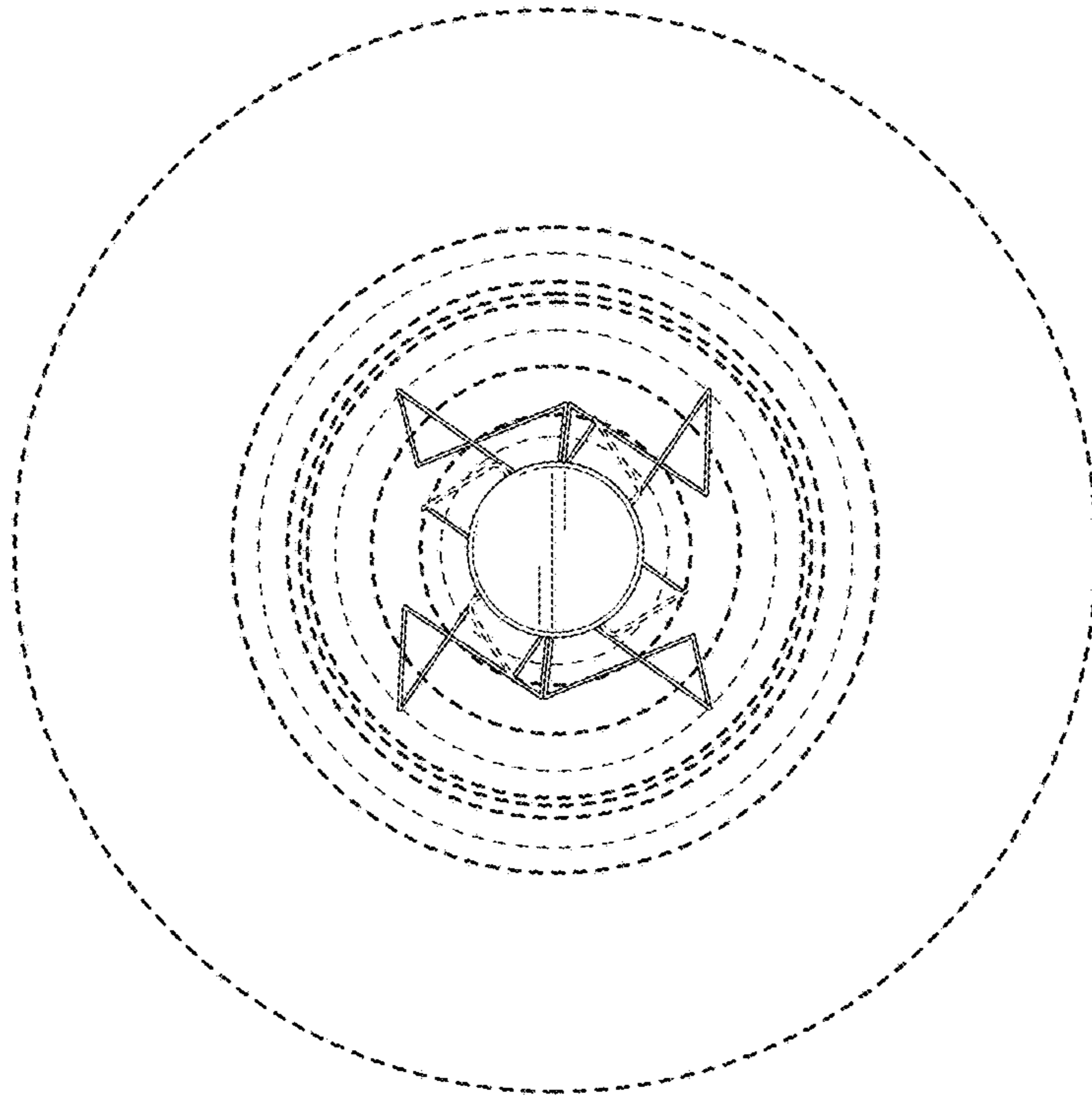


FIG. 6

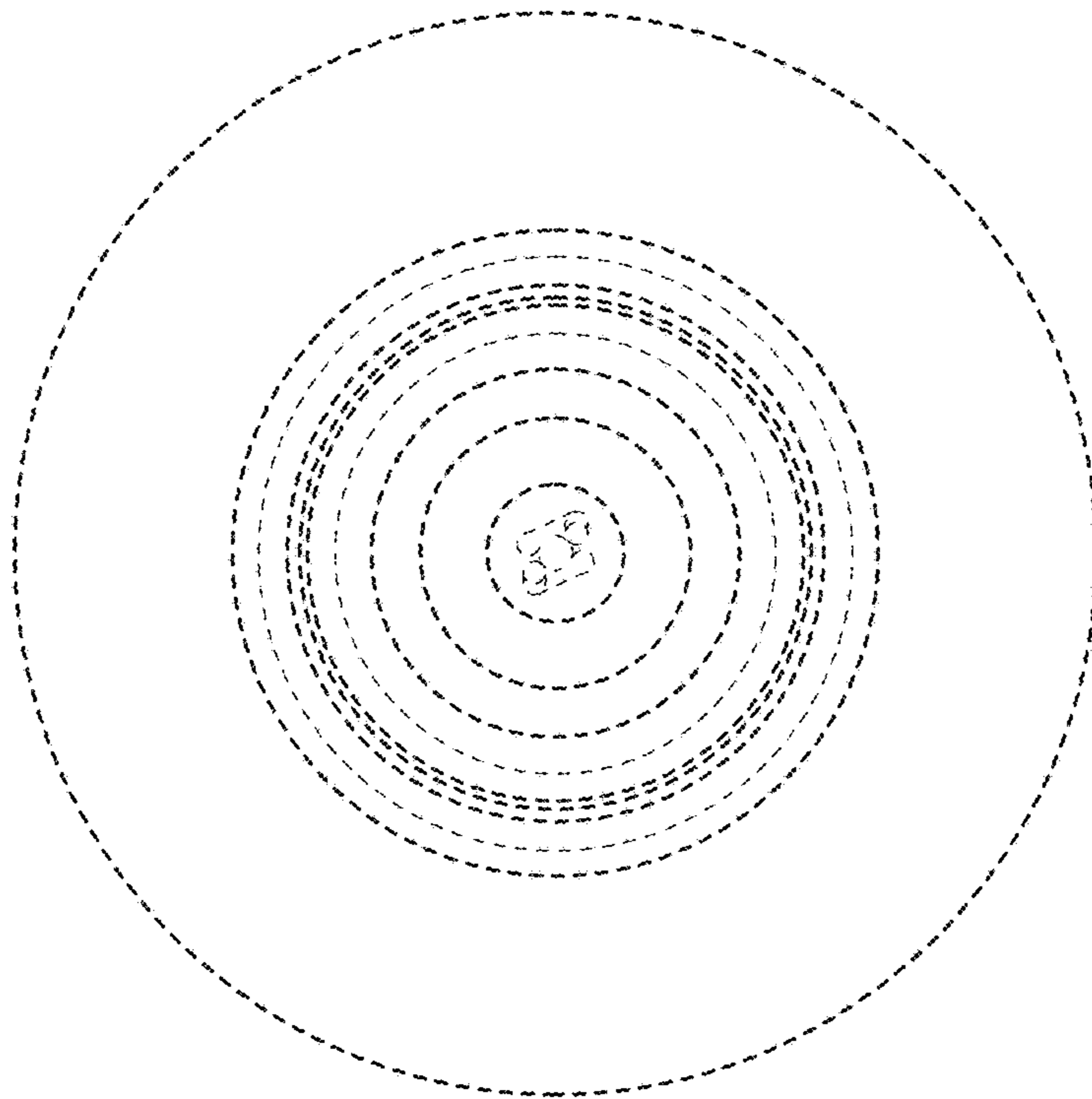


FIG. 7