



US00D818150S

(12) **United States Design Patent**
Yang

(10) **Patent No.:** **US D818,150 S**
(45) **Date of Patent:** **** May 15, 2018**

(54) **COMBINATION FRAME**

(71) Applicant: **Cheng-Hung Yang**, Taichung (TW)

(72) Inventor: **Cheng-Hung Yang**, Taichung (TW)

(**) Term: **15 Years**

(21) Appl. No.: **29/569,040**

(22) Filed: **Jun. 23, 2016**

Related U.S. Application Data

(63) Continuation of application No. 14/951,363, filed on Nov. 24, 2015, now abandoned, which is a continuation-in-part of application No. 14/601,163, filed on Jan. 20, 2015, now abandoned.

(51) **LOC (11) Cl.** **25-01**

(52) **U.S. Cl.**
USPC **D25/138**

(58) **Field of Classification Search**
USPC D25/138-163
CPC .. A47F 2005/0075; A47F 5/08; A47F 5/0838;
A47F 5/0853; E04C 2/52; E04F 13/0826;
E04F 13/0864; E04F 13/0876; E04F
13/0892; E04F 13/12; E04F 13/0803;
E04F 13/0814; E04F 13/0819; E04F
13/08; E04F 13/0801; E04F 13/072; E04F
13/18; E04F 15/02; E04F 15/02044; E04F
15/02161; E04F 15/10; E04F 15/105;
E04F 2015/02166; E04F 2203/04; E04F
2203/08

See application file for complete search history.

(56) **References Cited**

U.S. PATENT DOCUMENTS

6,490,838 B2 * 12/2002 Summerford E04B 5/06
52/403.1
6,617,009 B1 * 9/2003 Chen B29C 47/0038
428/148

D485,621 S * 1/2004 Deel D25/119
6,694,691 B2 * 2/2004 Ku E01C 5/223
52/403.1
6,986,934 B2 * 1/2006 Chen B29C 47/0028
428/148
8,919,068 B2 * 12/2014 Wright E04F 15/02183
52/302.1
8,955,281 B2 * 2/2015 Pietruczynik B29C 47/0028
52/580
9,222,269 B2 * 12/2015 Bruins E04F 15/105
2013/0326981 A1 * 12/2013 Council E04F 15/10
52/309.3
2014/0363621 A1 * 12/2014 Ngo E04B 1/66
428/119
2015/0240501 A1 * 8/2015 Yang E04F 15/02044
52/489.1

(Continued)

Primary Examiner — Vy N Koenig
Assistant Examiner — Kimberly Barnes
(74) *Attorney, Agent, or Firm* — WPAT, PC

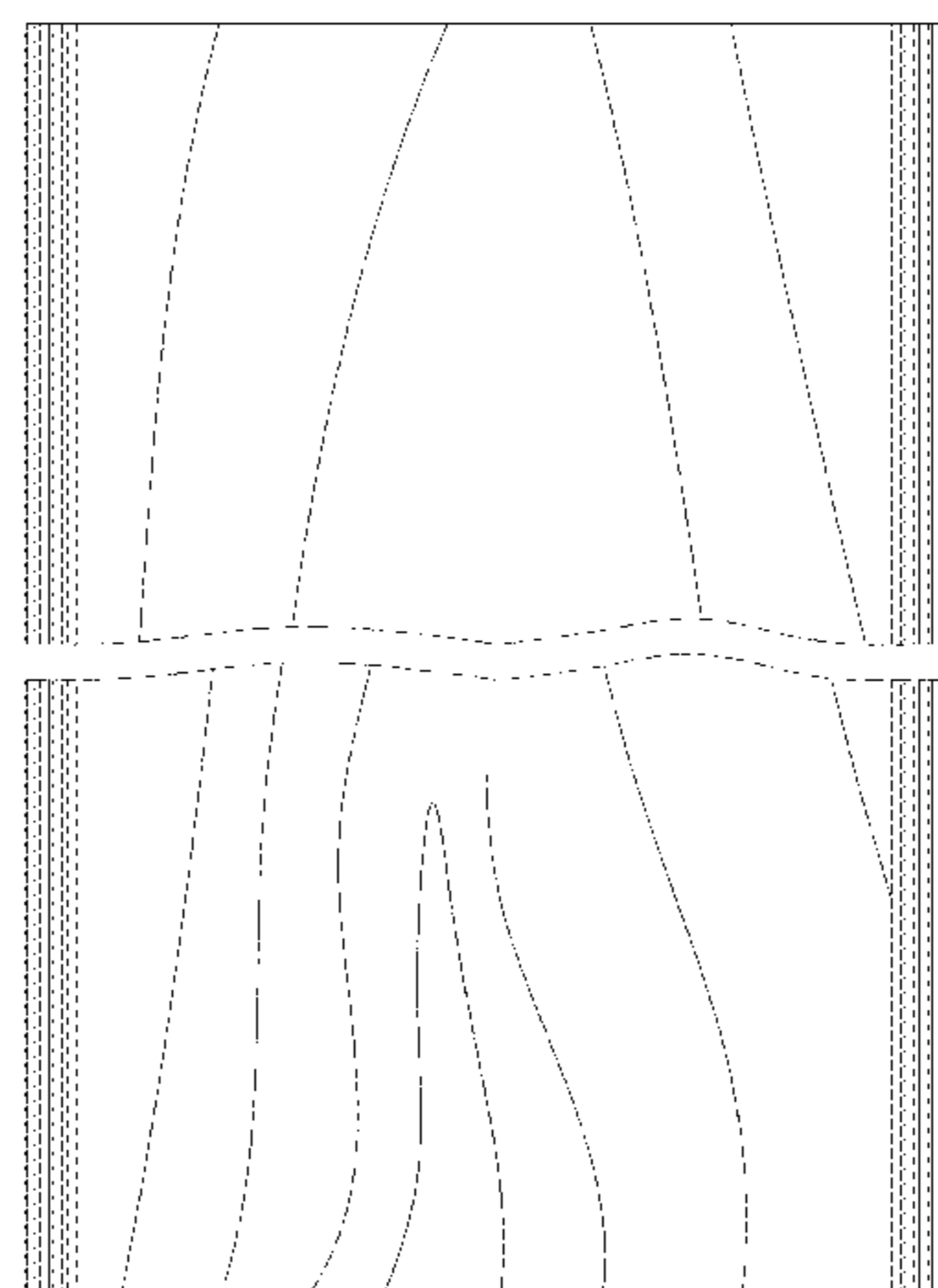
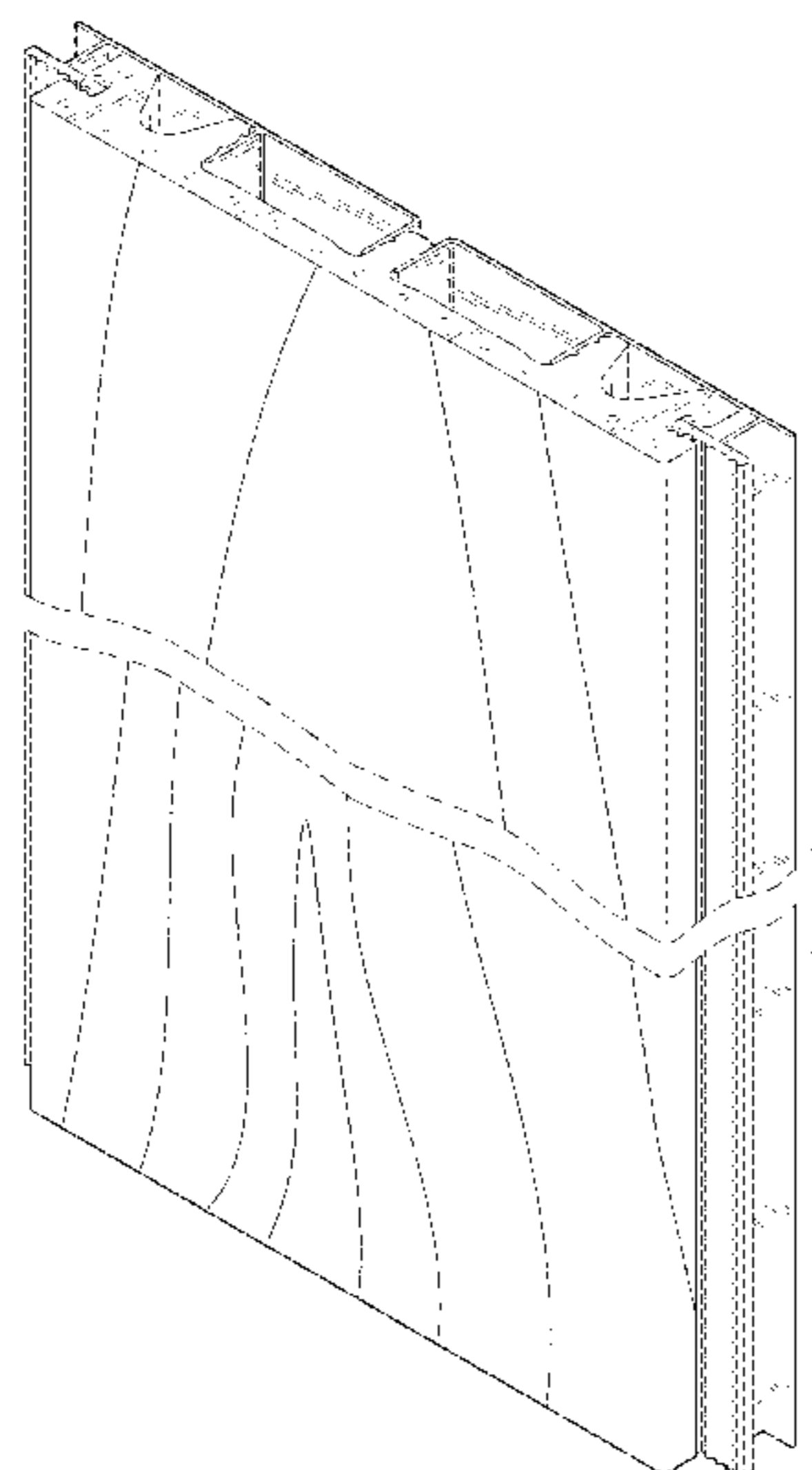
(57) **CLAIM**

The ornamental design for a “combination frame,” as shown and described.

DESCRIPTION

FIG. 1 is a perspective view of a combination frame showing my new design;
FIG. 2 is a front elevational view thereof;
FIG. 3 is a rear elevational view thereof;
FIG. 4 is a left side elevational view thereof;
FIG. 5 is a right side elevational view thereof;
FIG. 6 is a top plan view thereof; and,
FIG. 7 is a bottom plan view thereof.
The broken lines in FIGS. 1, 6, and 7 represent features of the combination frame that form no part of the claimed design. The combination frame is shown with a symbolic break in its length. The appearance of any portion of the article between the break lines forms no part of the claimed design.

1 Claim, 6 Drawing Sheets



(56)

References Cited

U.S. PATENT DOCUMENTS

2016/0208497 A1* 7/2016 Yang B32B 3/06
2017/0051515 A1* 2/2017 Aquilani E04F 13/0835

* cited by examiner

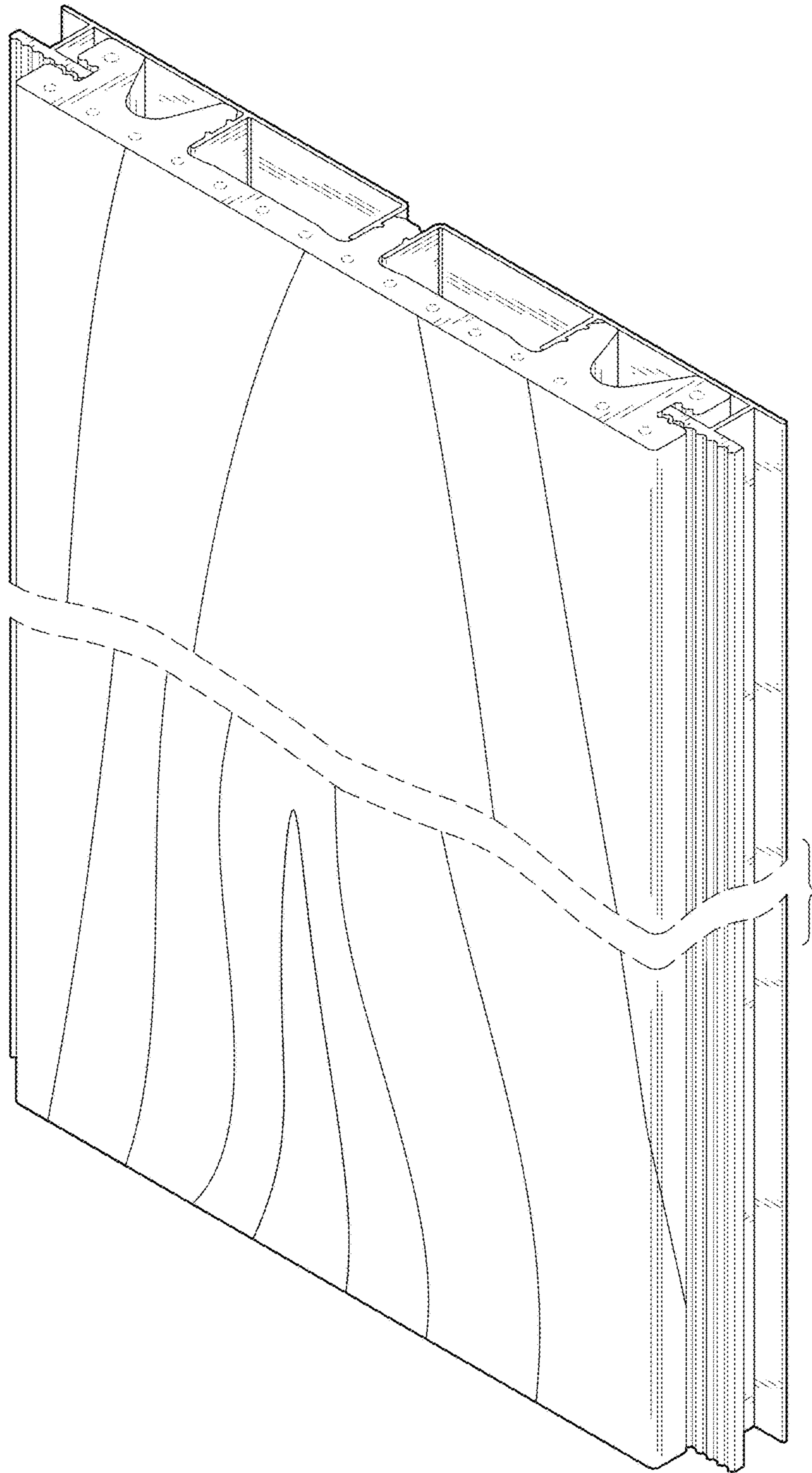


FIG. 1

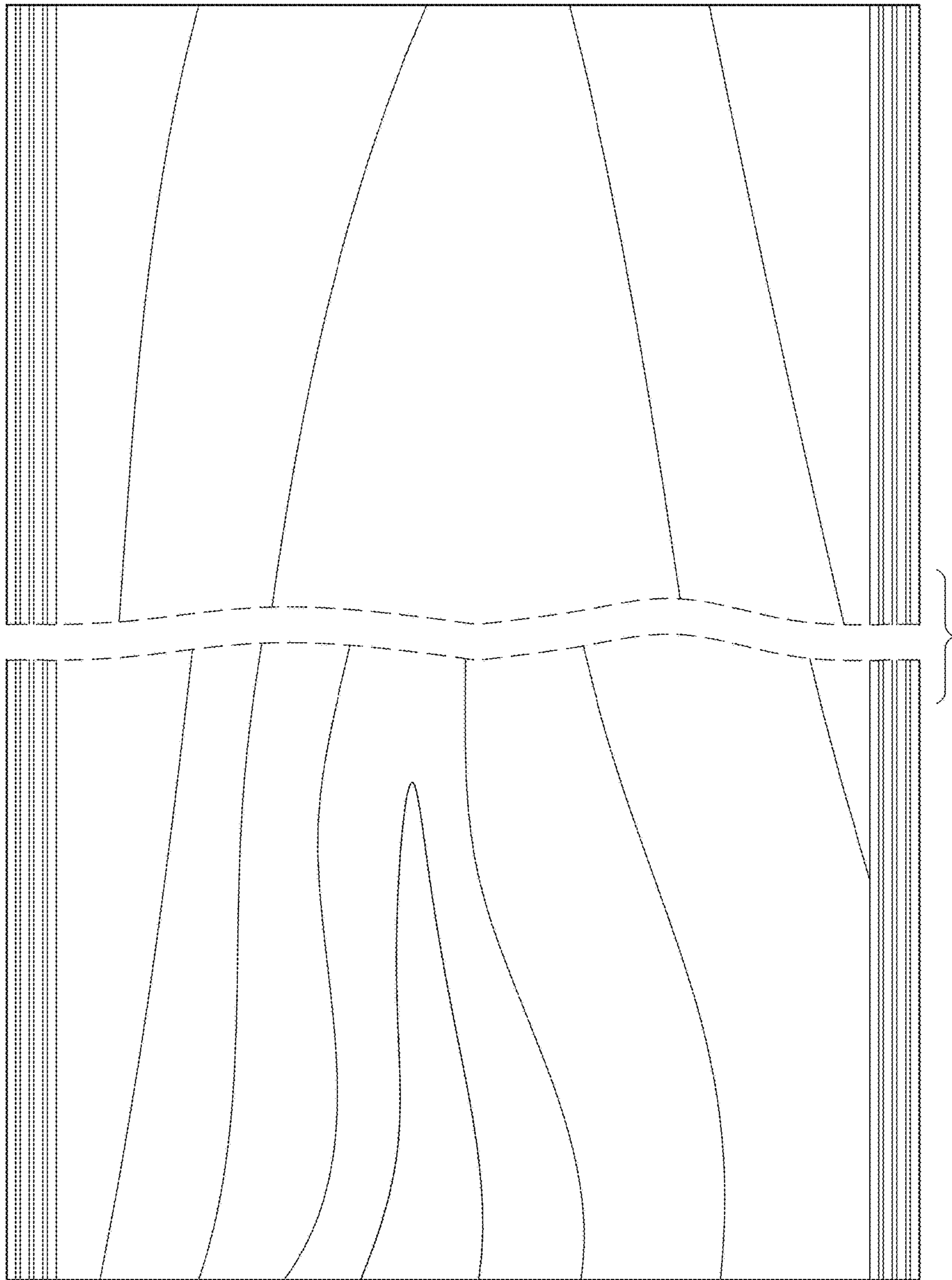


FIG. 2

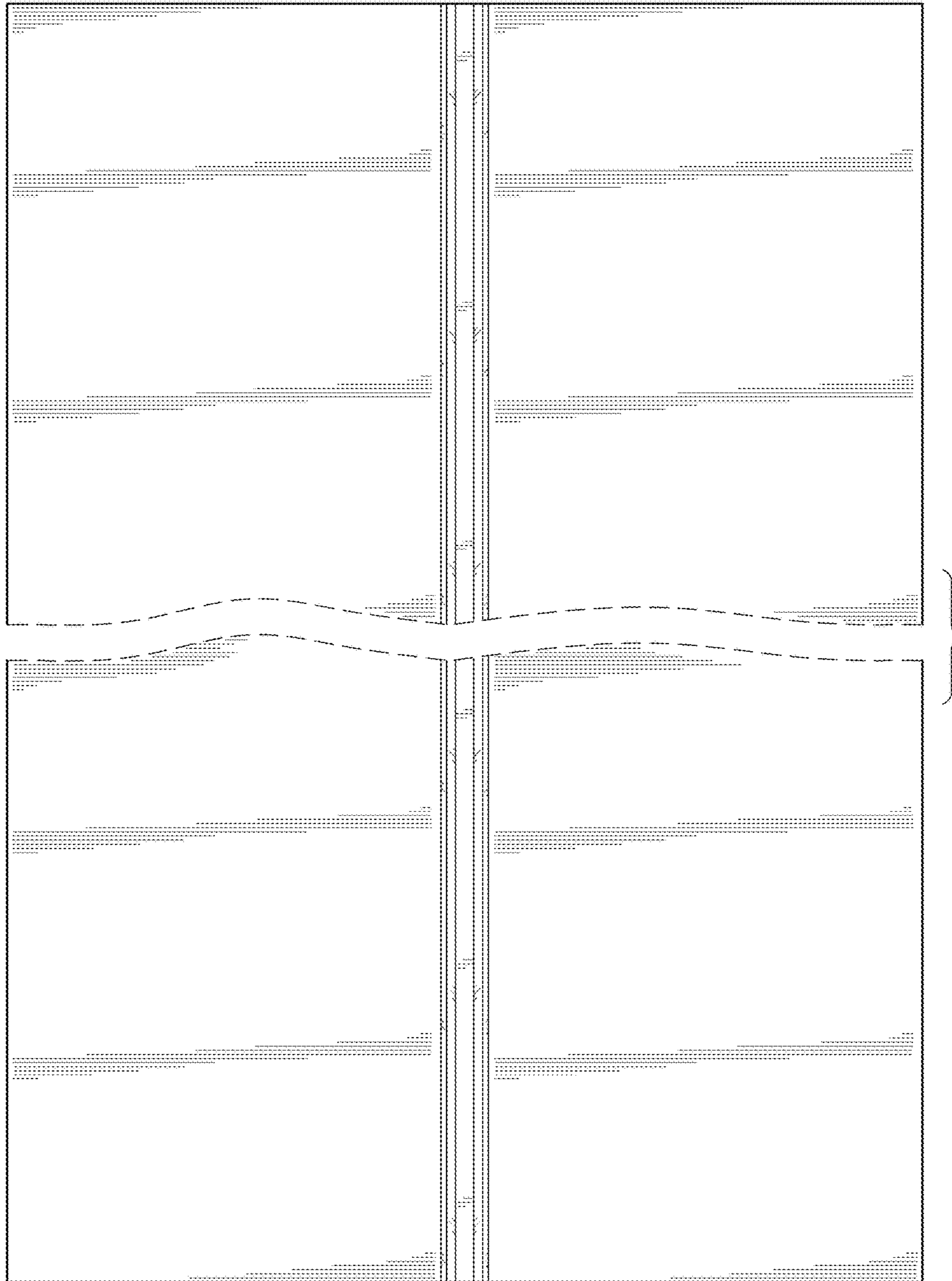


FIG. 3

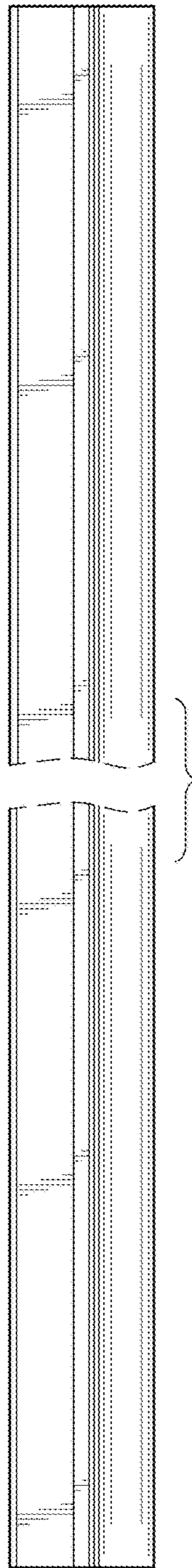


FIG. 4

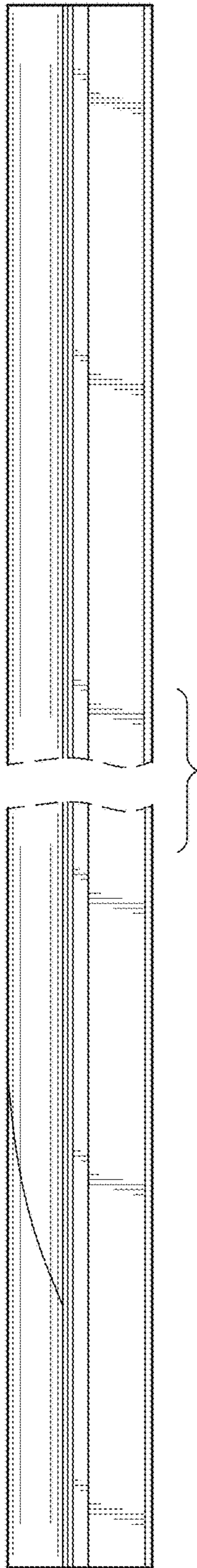


FIG. 5

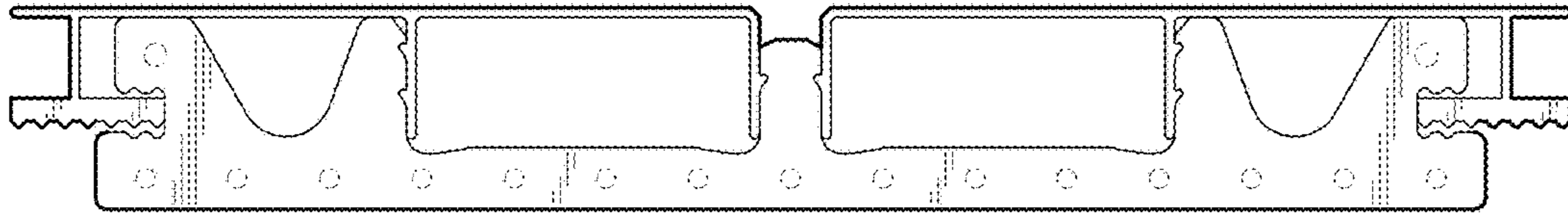


FIG. 6

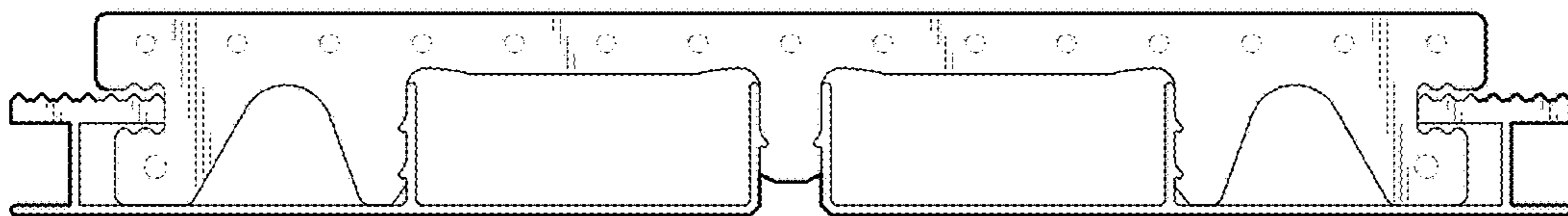


FIG. 7