



US00D818147S

(12) **United States Design Patent**  
**Gill et al.**

(10) **Patent No.:** **US D818,147 S**

(45) **Date of Patent:** **\*\* \*May 15, 2018**

(54) **MODULAR BUILDING WITH PILLARS**

(71) Applicant: **KwikSpace Guam**, Hagatna, GU (US)

(72) Inventors: **Peter E. Gill**, Tamuning, GU (US);  
**Peter E. Gill, III**, Tamuning, GU (US)

(73) Assignee: **KWIKSPACE GUAM**, Hagatna, GU (US)

(\*) Notice: This patent is subject to a terminal disclaimer.

(\*\*) Term: **15 Years**

(21) Appl. No.: **29/592,307**

(22) Filed: **Jan. 30, 2017**

(51) **LOC (11) Cl.** ..... **25-03**

(52) **U.S. Cl.**  
USPC ..... **D25/33**

(58) **Field of Classification Search**  
USPC ..... D25/1, 4, 16, 18, 22, 23, 30, 32, 33, 34;  
D34/28

CPC ... E04H 1/005; E04H 1/04; E04H 2001/1283;  
E04H 5/02; E04C 3/30; E04C 3/32; E04C  
3/34; E04C 3/36; E04B 1/04

See application file for complete search history.

(56) **References Cited**

**U.S. PATENT DOCUMENTS**

2,477,256	A *	7/1949	Kneas	.....	E04B 1/30 52/251
3,429,092	A *	2/1969	Hart	.....	E04B 1/20 52/236.7
6,625,943	B1 *	9/2003	Renner	.....	E04C 3/34 52/250
D637,785	S *	5/2011	Miller	.....	D34/28
8,453,414	B2 *	6/2013	Simmons	.....	E40B 1/2403 403/169

9,097,017	B1 *	8/2015	Vanlennep	.....	E04C 3/34
2001/0003234	A1 *	6/2001	Van Doren	.....	E04C 3/34 52/251
2004/0055246	A1 *	3/2004	Powers	.....	E04C 3/34 52/742.14
2004/0139690	A1 *	7/2004	Pina	.....	E04B 7/022 52/745.15
2012/0047816	A1 *	3/2012	Zhong	.....	E04C 3/34 52/11
2013/0067832	A1 *	3/2013	Collins	.....	E04B 1/24 52/125.1
2017/0058517	A1 *	3/2017	Mohle	.....	E04B 5/48

\* cited by examiner

*Primary Examiner* — Susan Bennett Hattan

*Assistant Examiner* — Brett Miller

(74) *Attorney, Agent, or Firm* — Donald J. Ersler

(57) **CLAIM**

The ornamental design for a modular building with pillars, as shown and described.

**DESCRIPTION**

FIG. 1 is a top perspective view of a modular building with pillars incorporating our new design;

FIG. 2 is a top perspective cutaway view as shown in FIG. 1 thereof;

FIG. 3 is a bottom perspective view thereof;

FIG. 4 is a bottom perspective cutaway view as shown in FIG. 3 thereof;

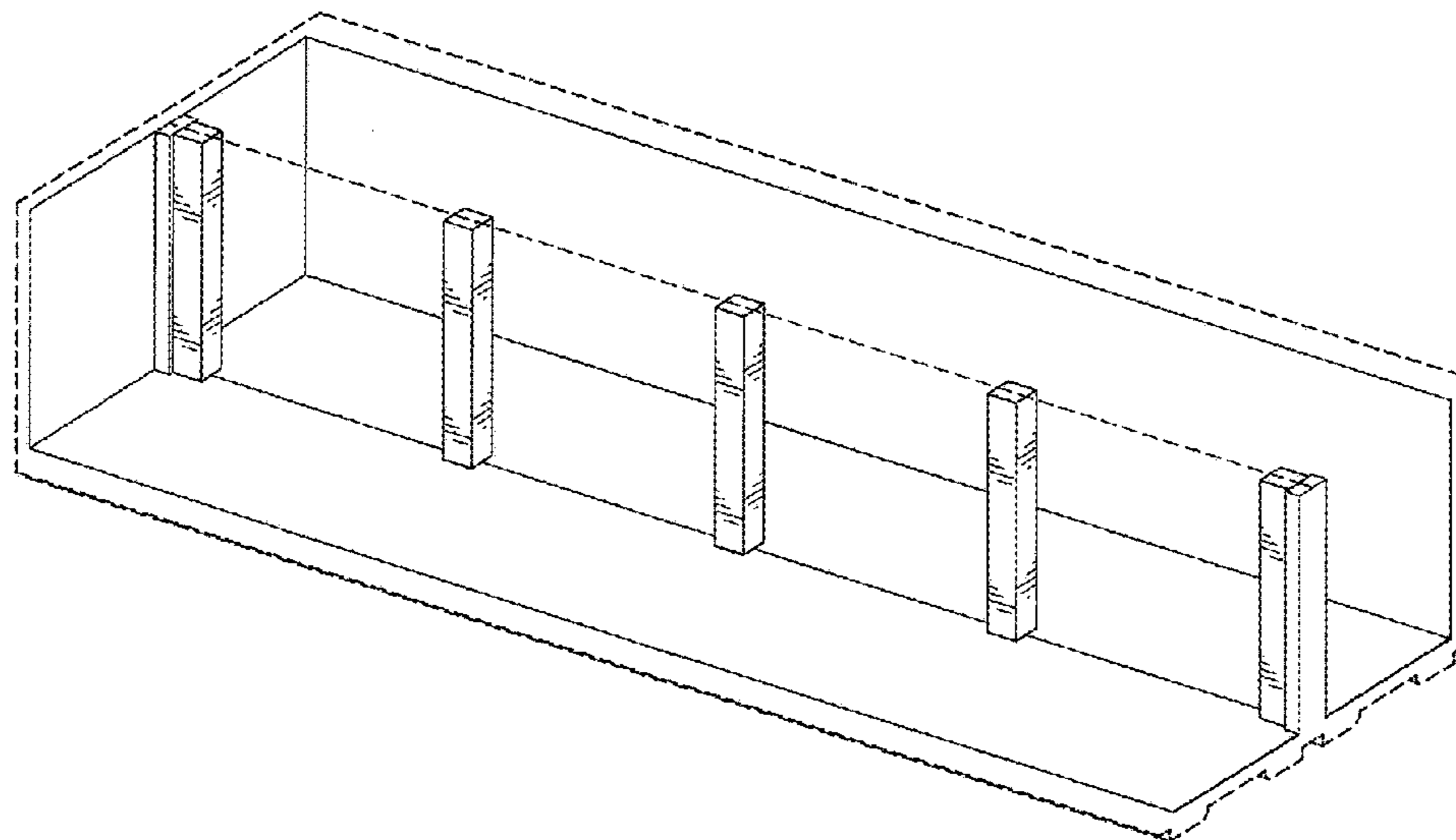
FIG. 5 is a cutaway top plan view

FIG. 6 is a bottom plan view thereof;

FIG. 7 is a left side cutaway view, as shown in FIG. 6; and, FIG. 8 is a front cutaway view, as shown in FIG. 6.

The broken lines shown in the drawings illustrate portions of the modular building with pillars that forms no part of the claimed invention.

**1 Claim, 7 Drawing Sheets**



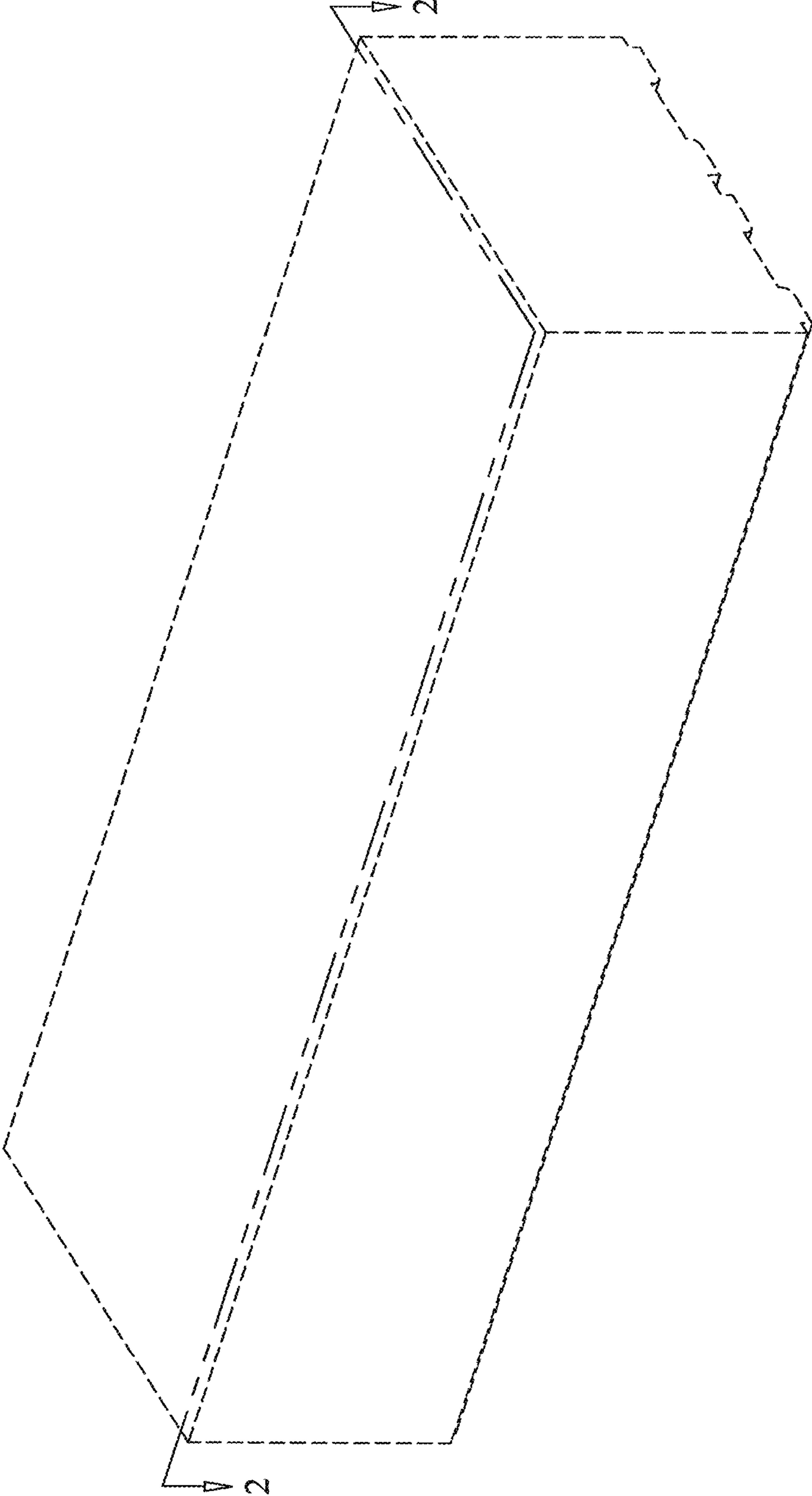


FIG. 1

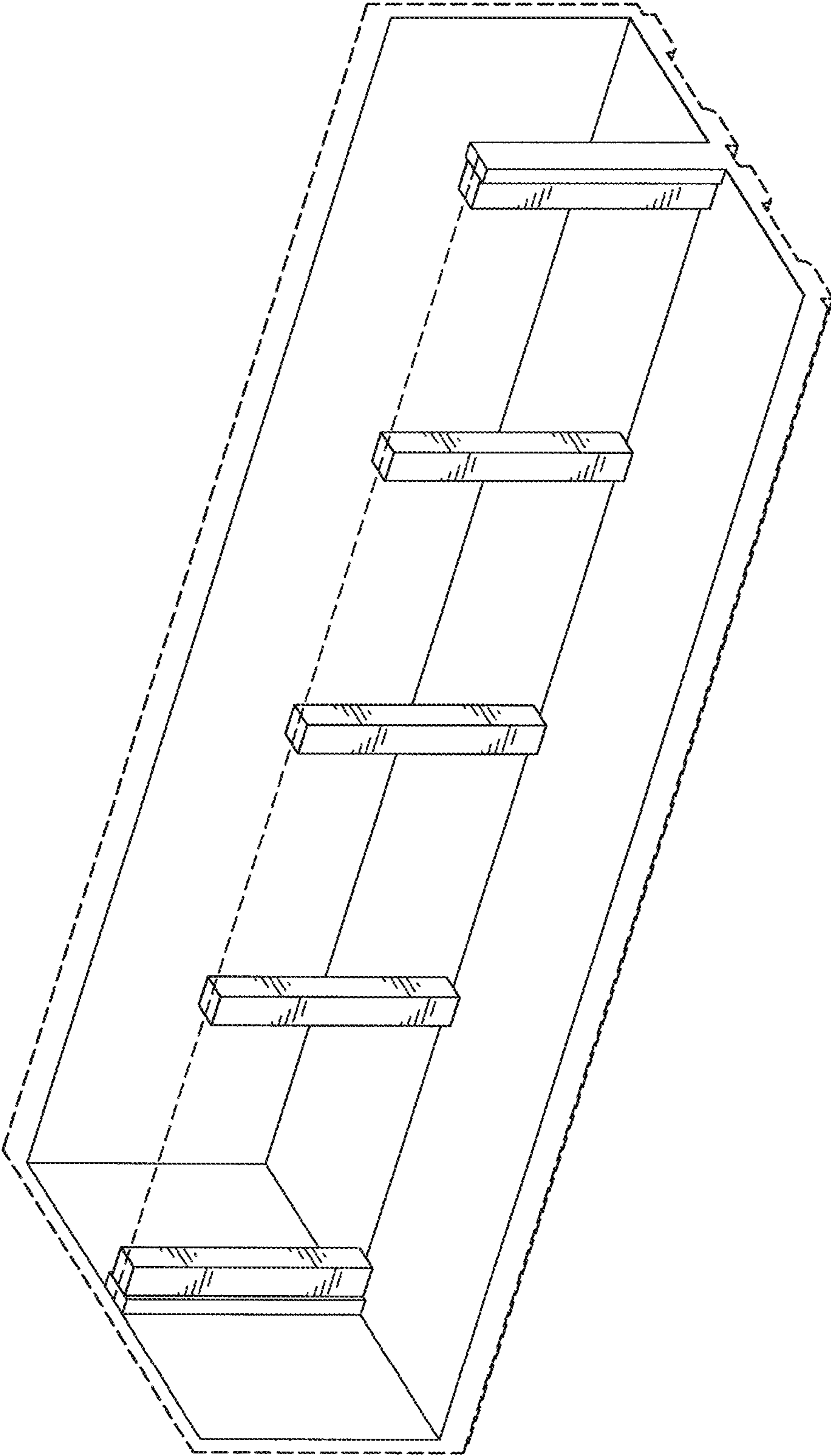


FIG. 2

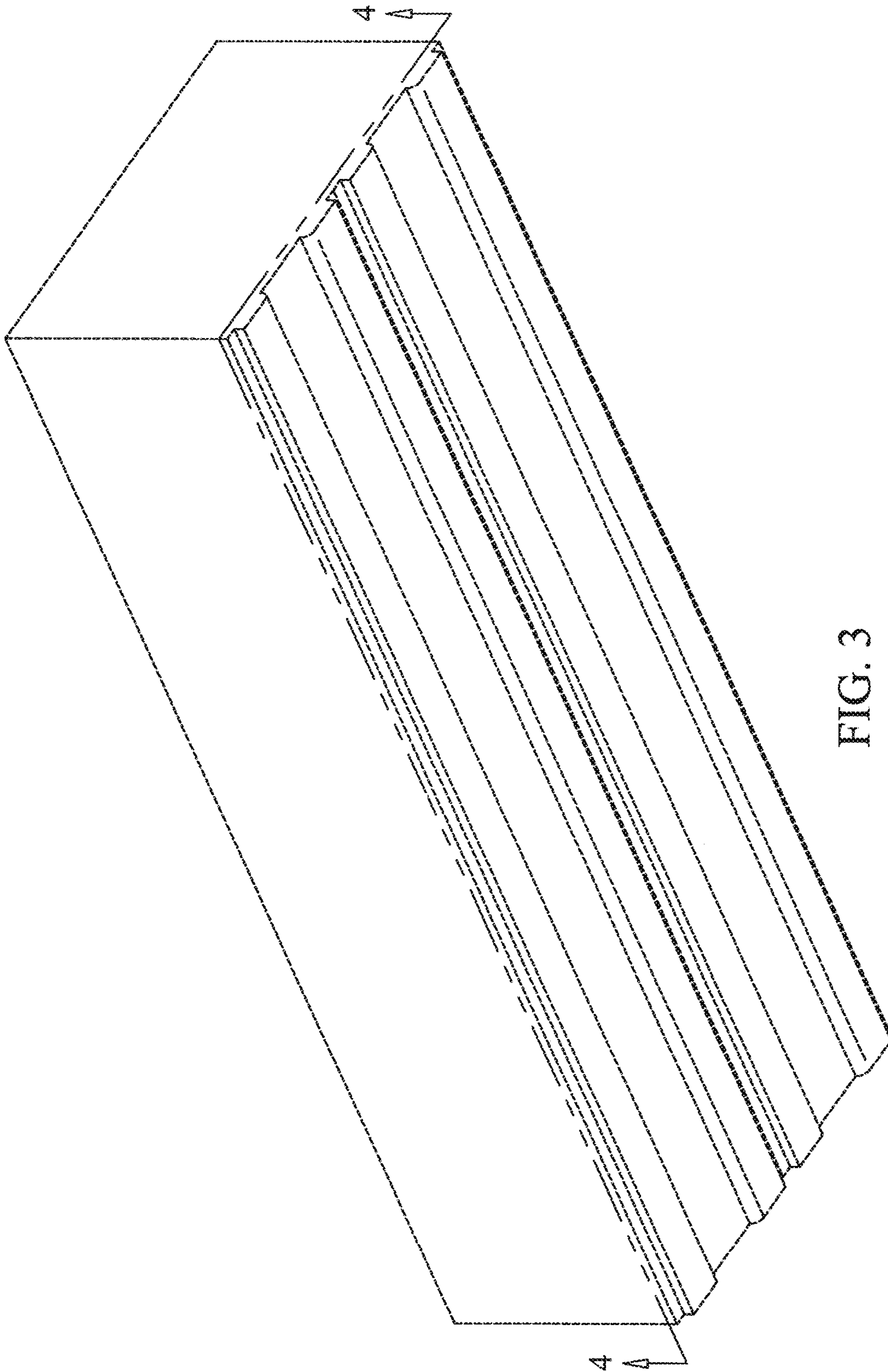


FIG. 3

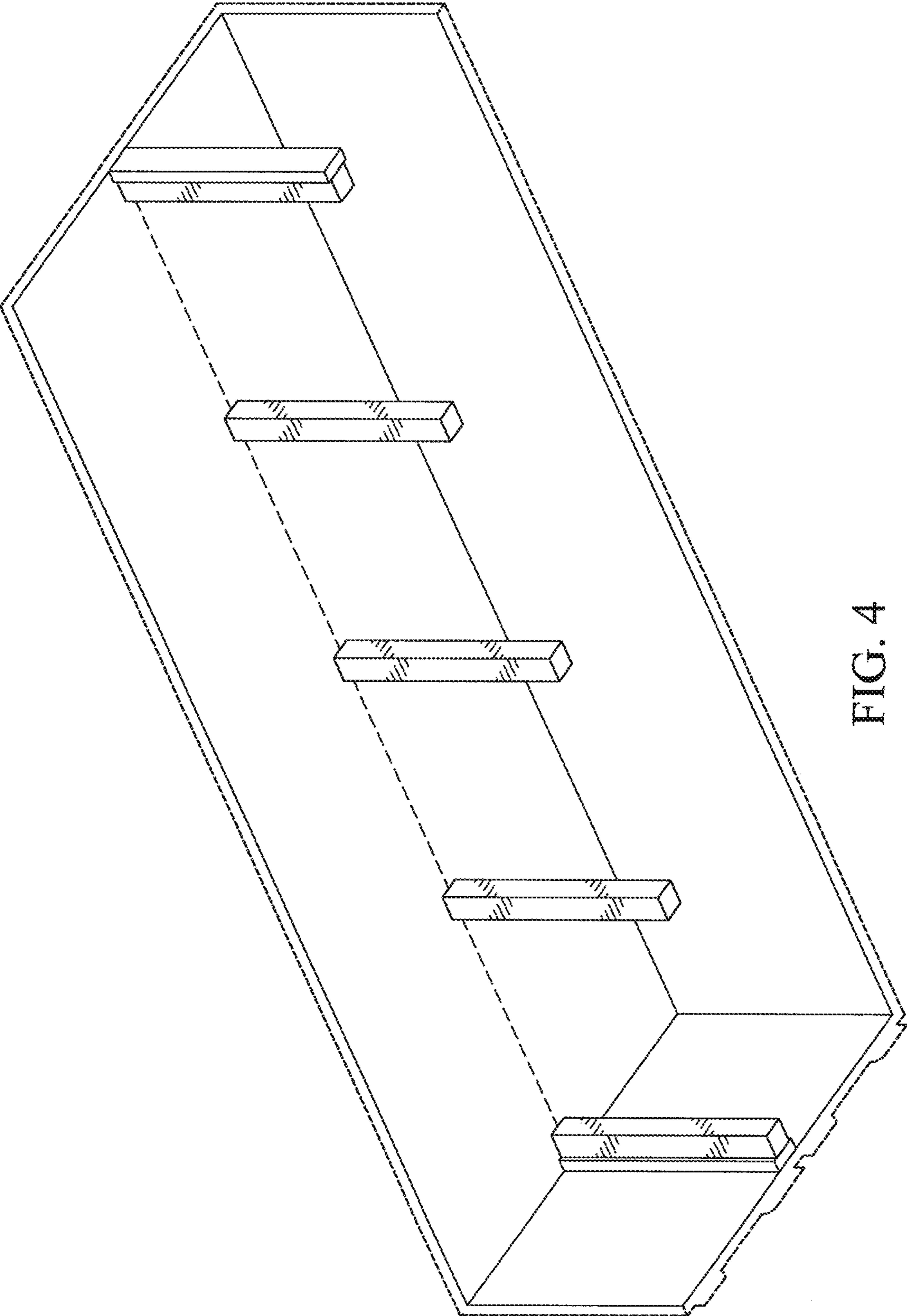


FIG. 4

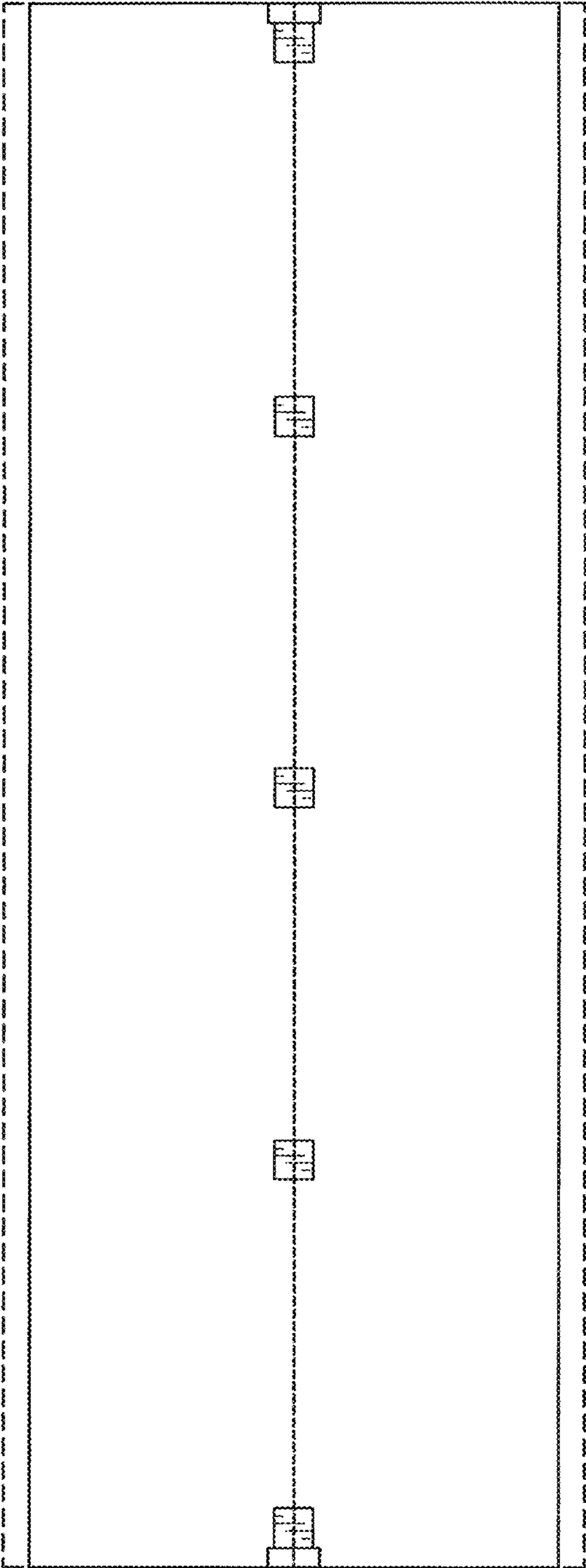


FIG. 5

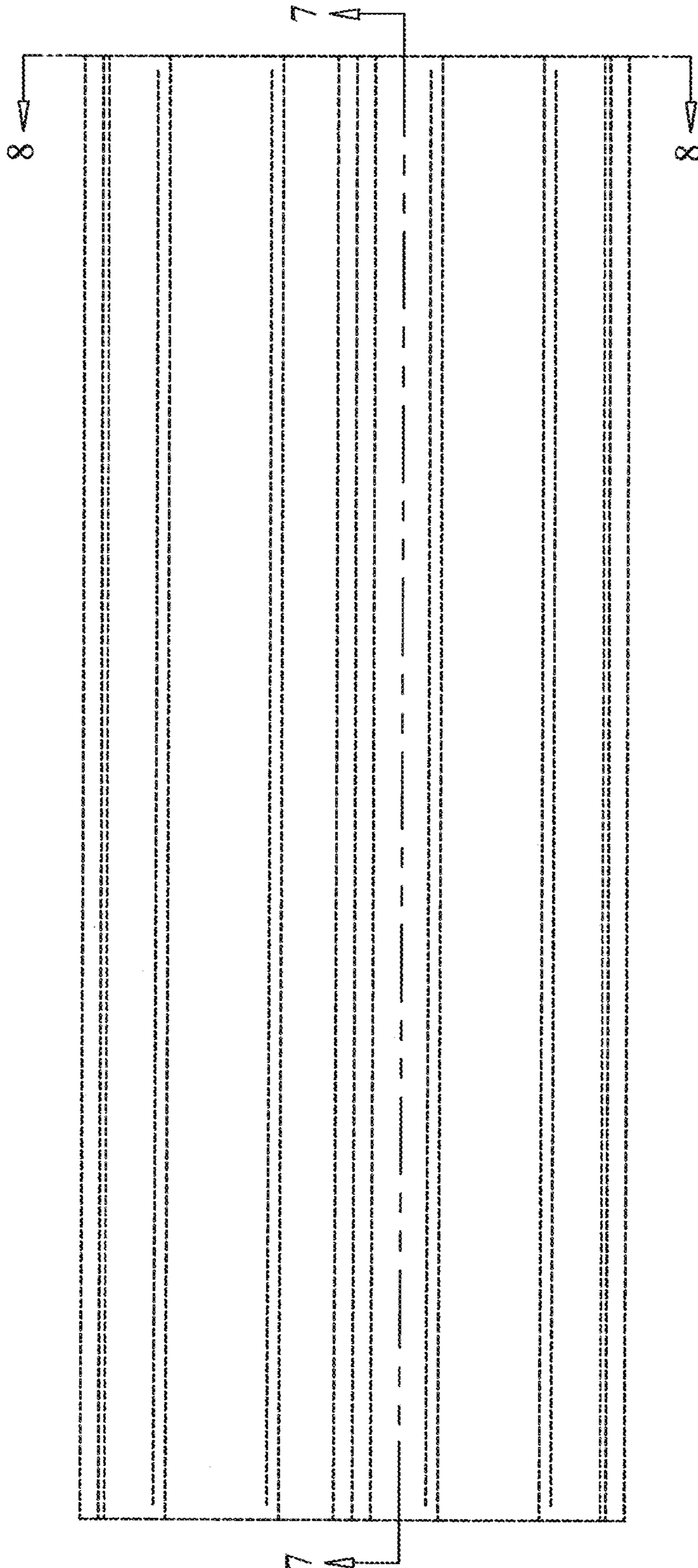


FIG. 6

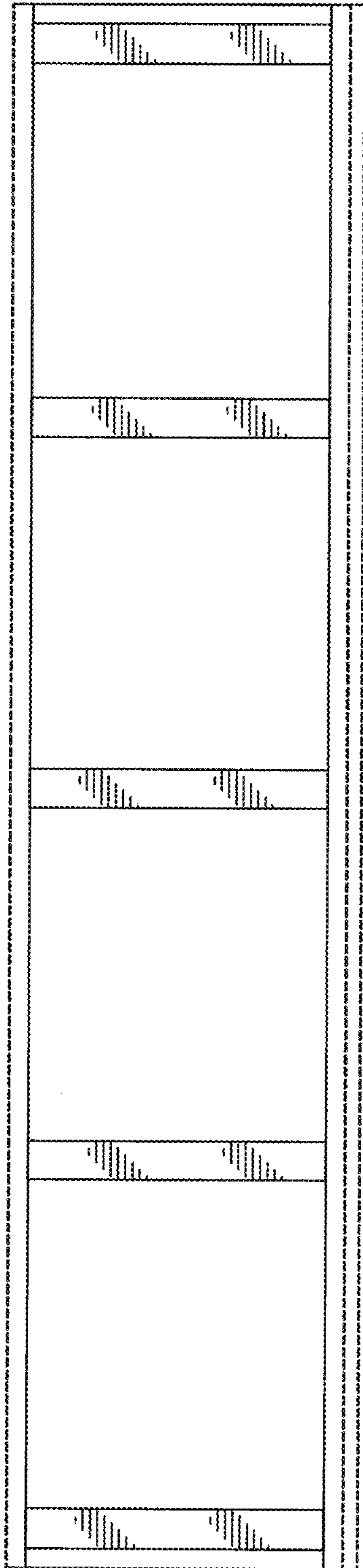


FIG. 7

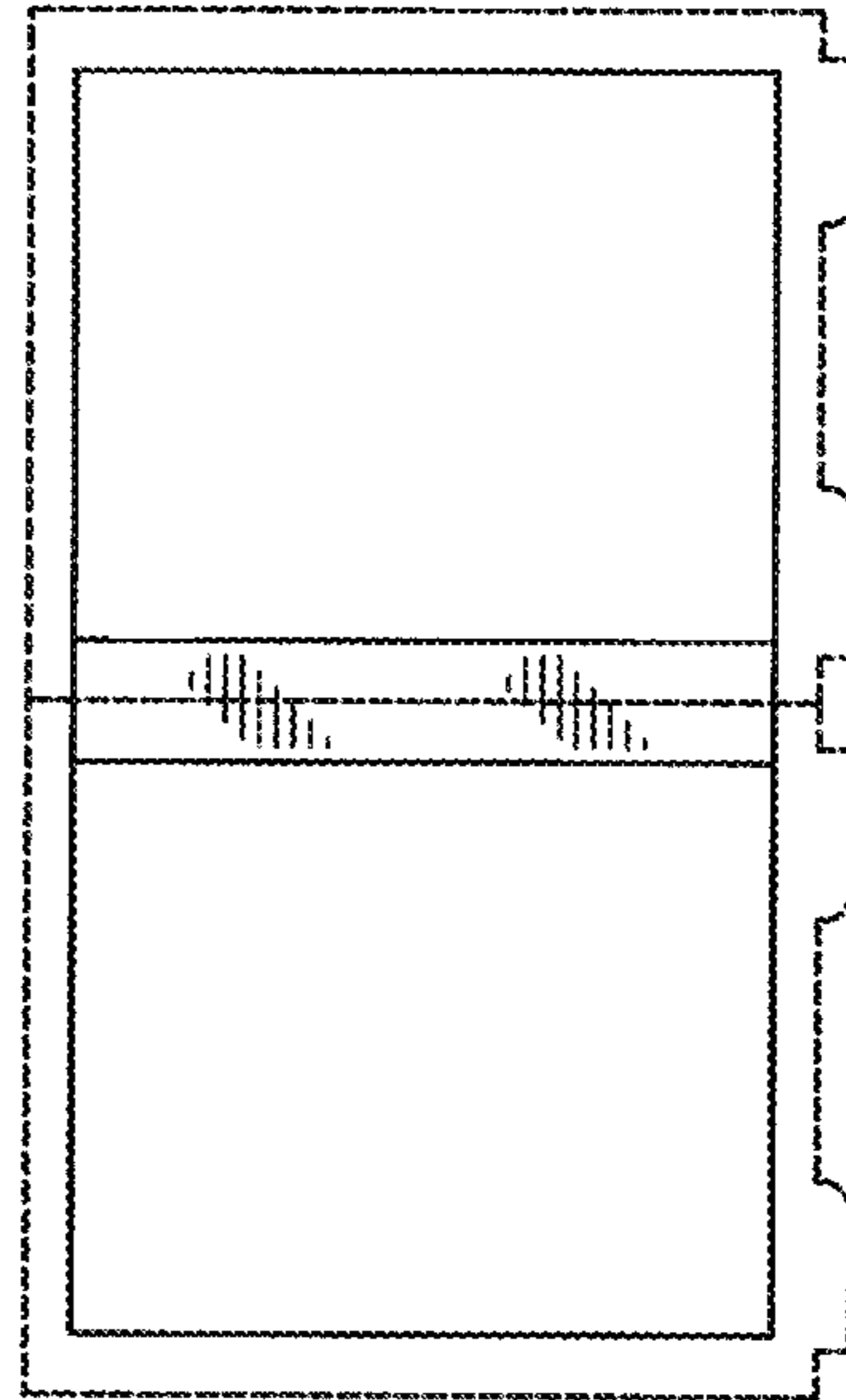


FIG. 8