



US00D818146S

(12) **United States Design Patent**
Tanaka

(10) **Patent No.:** **US D818,146 S**

(45) **Date of Patent:** **** May 15, 2018**

(54) **MEDICAL BIOCHEMICAL ANALYZER**

(71) Applicant: **FUJIFILM Corporation**, Tokyo (JP)

(72) Inventor: **Kunihiko Tanaka**, Ashigarakami-gun (JP)

(73) Assignee: **FUJIFILM Corporation**, Minato-Ku, Tokyo (JP)

(**) Term: **15 Years**

(21) Appl. No.: **29/593,937**

(22) Filed: **Feb. 14, 2017**

(30) **Foreign Application Priority Data**

Aug. 15, 2016 (JP) 2016-017381

(51) **LOC (11) Cl.** **24-02**

(52) **U.S. Cl.**
USPC **D24/216**

(58) **Field of Classification Search**

USPC D24/107, 186, 231, 232, 233, 223, 216;
D10/81, 97; 435/286.1, 286.4, 286.5,
435/287.3; 422/63-67, 509; 73/863.01,
73/863.02, 863.03, 863.31, 863.32
CPC G01N 35/025; G01N 35/00732; G01N
35/1002; G01N 2035/0455; G01N
2035/0441; G01N 2035/0444; G01N
2035/0451; G01N 2021/115; G01N
2021/3155

See application file for complete search history.

(56) **References Cited**

U.S. PATENT DOCUMENTS

D446,306 S * 8/2001 Ochi D24/165
D523,153 S * 6/2006 Akashi D10/81
D527,464 S * 8/2006 Ina D24/216
D560,131 S * 1/2008 Hu D10/81
D588,276 S * 3/2009 Isozaki D24/232

D638,545 S * 5/2011 Okawa D24/186
D644,544 S * 9/2011 Yukikado D10/81
8,043,560 B2 * 10/2011 Okumoto G01N 21/31
422/400
D676,568 S * 2/2013 Liu D24/216
D689,193 S * 9/2013 Shinohara D24/216
D729,399 S * 5/2015 Oonuma D24/216

* cited by examiner

Primary Examiner — Thomas Johannes

Assistant Examiner — Samantha Q. Lawrence

(74) *Attorney, Agent, or Firm* — Sughrue Mion, PLLC

(57) **CLAIM**

The ornamental design for a medical biochemical analyzer, as shown and described.

DESCRIPTION

FIG. 1 is a top, front and right side perspective view of a medical biochemical analyzer showing my new design; FIG. 2 is a front elevational view thereof; FIG. 3 is a rear elevational view thereof; FIG. 4 is a top plan view thereof; FIG. 5 is a bottom plan view thereof; FIG. 6 is a left side elevational view thereof; FIG. 7 is a top, front and right side perspective view thereof, in a state where the lid is opened; FIG. 8 is a front elevational view thereof, in the state where the lid is opened; FIG. 9 is a left side elevational view thereof, in the state where the lid is opened; and, FIG. 10 is a cross-sectional view thereof taken along lines X-X of FIG. 2, in which an internal structure thereof is shown.

The broken lines shown in FIG. 10 illustrate portions of the medical biochemical analyzer that form no part of the claimed design. The broken lines that lie directly adjacent to the perimeter of the claimed area illustrate a boundary that forms no part of the claimed design.

1 Claim, 10 Drawing Sheets

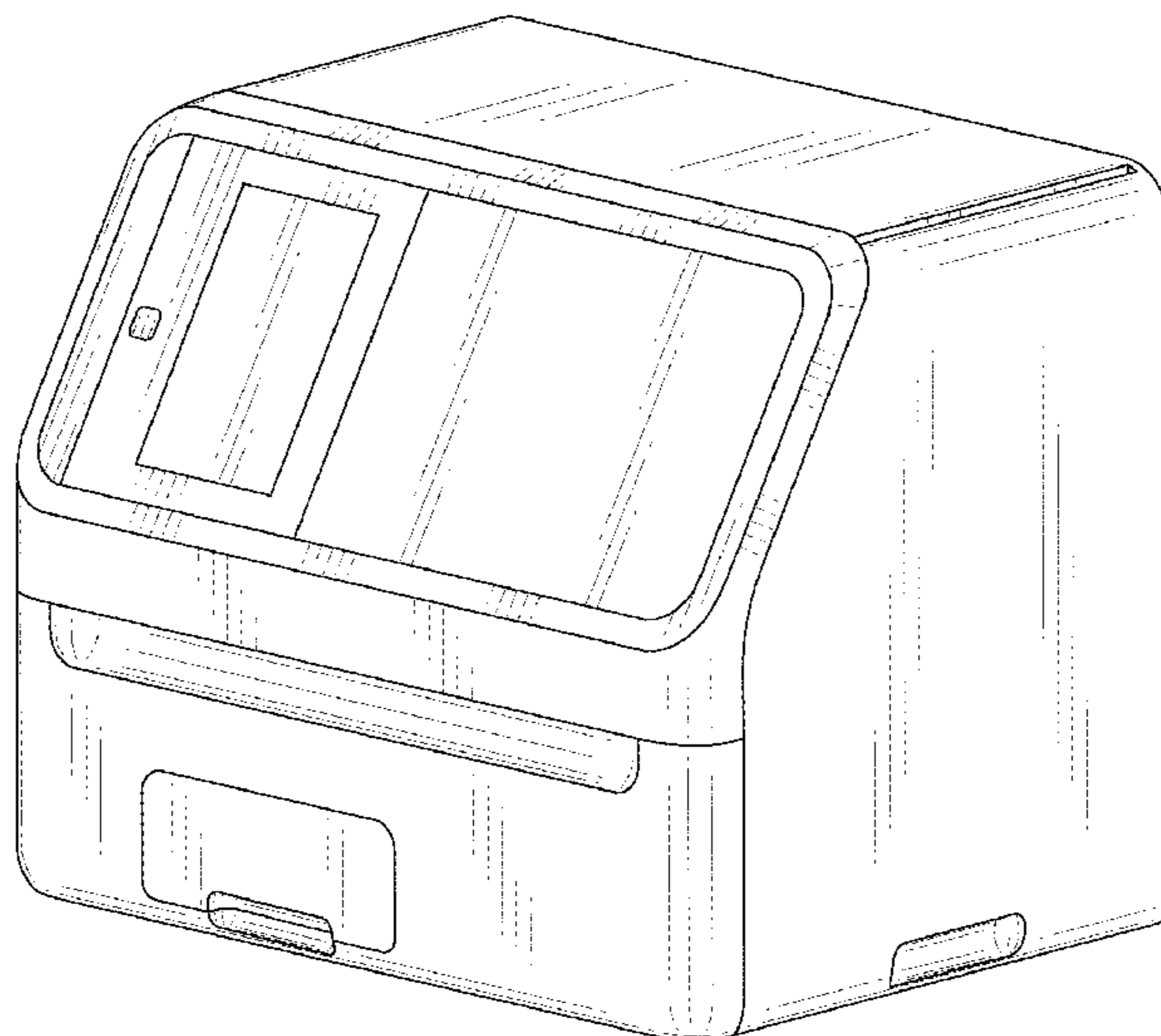


FIG. 1

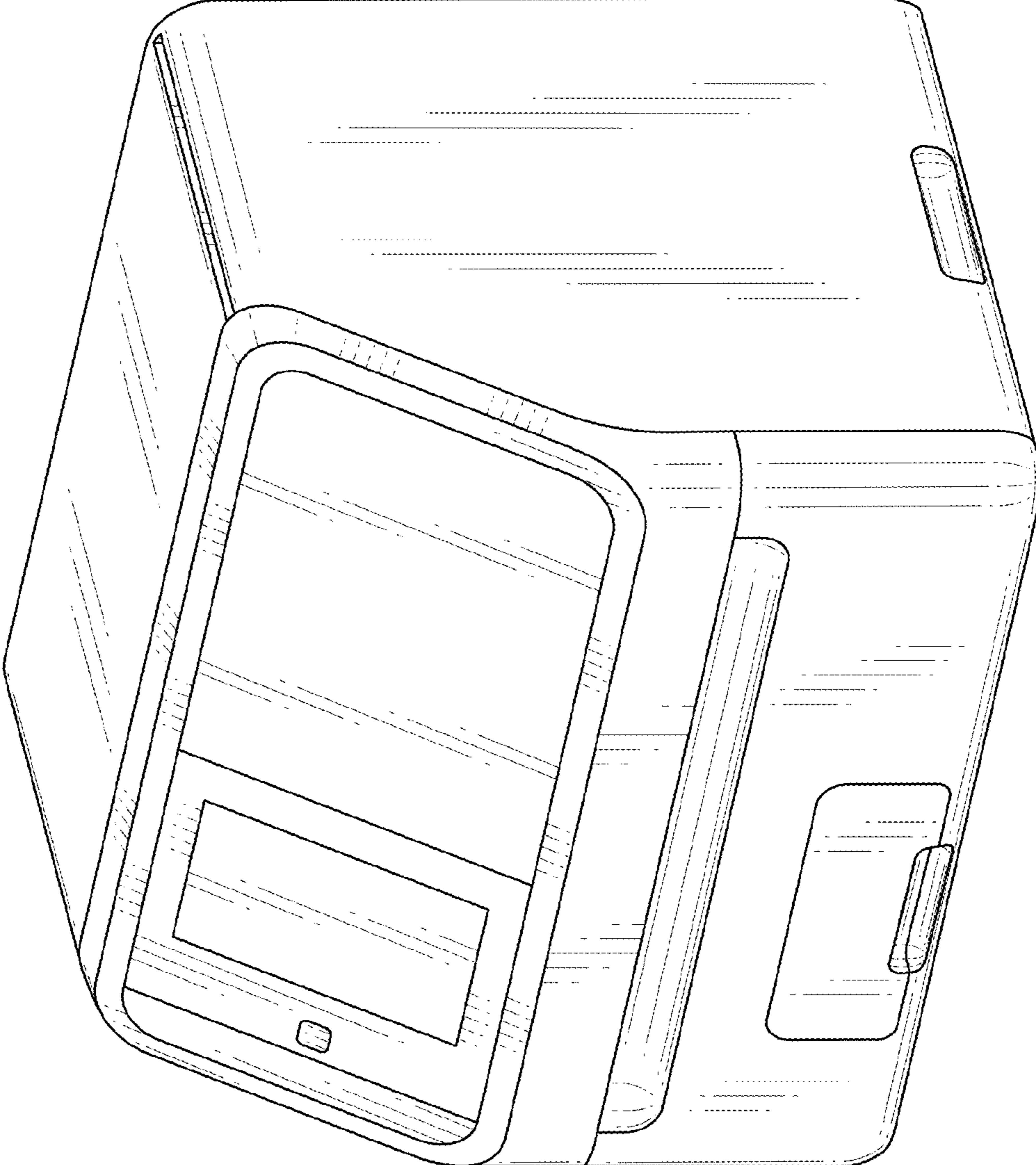
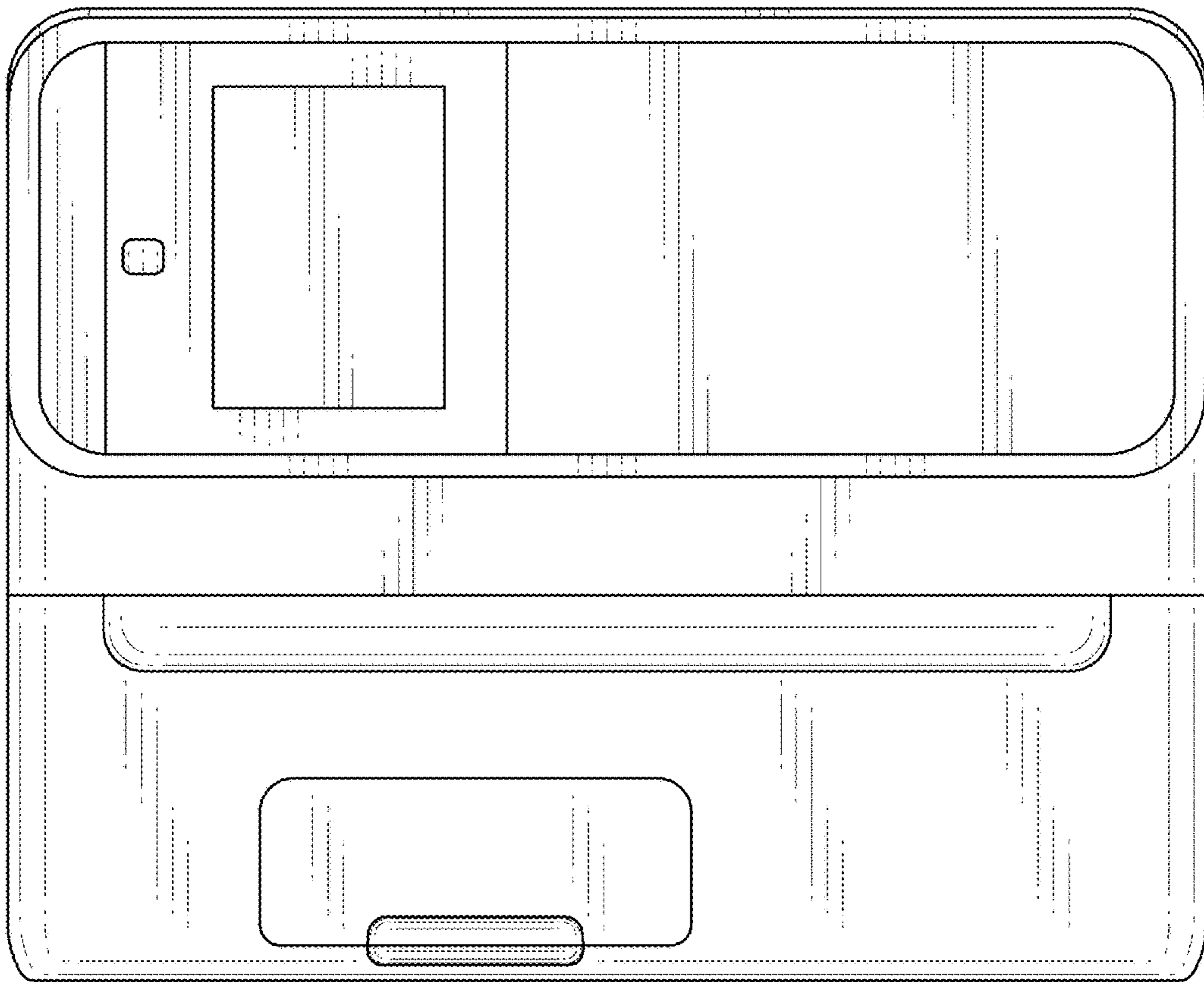


FIG. 2

X ←



X ←

FIG. 3

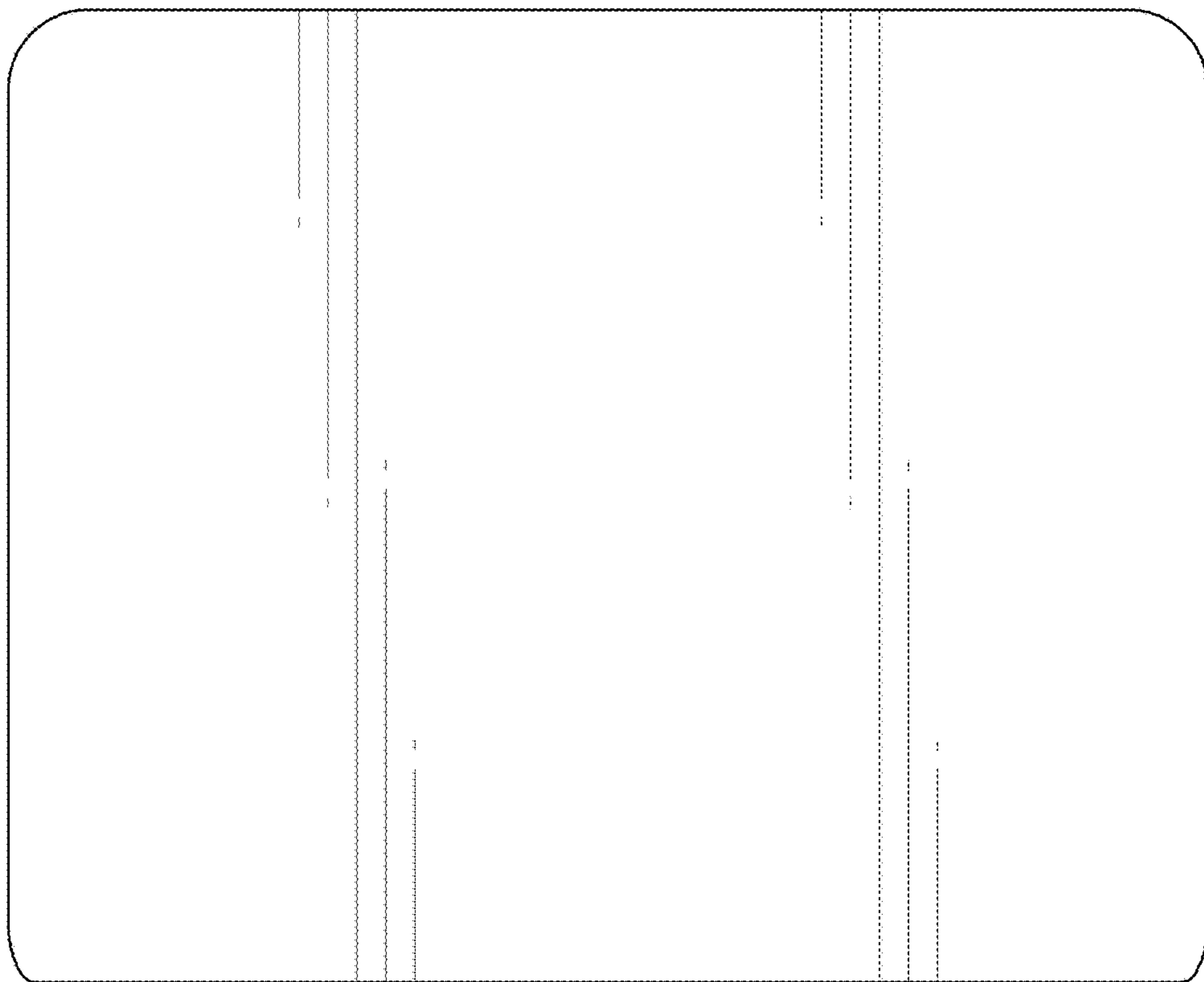


FIG. 4

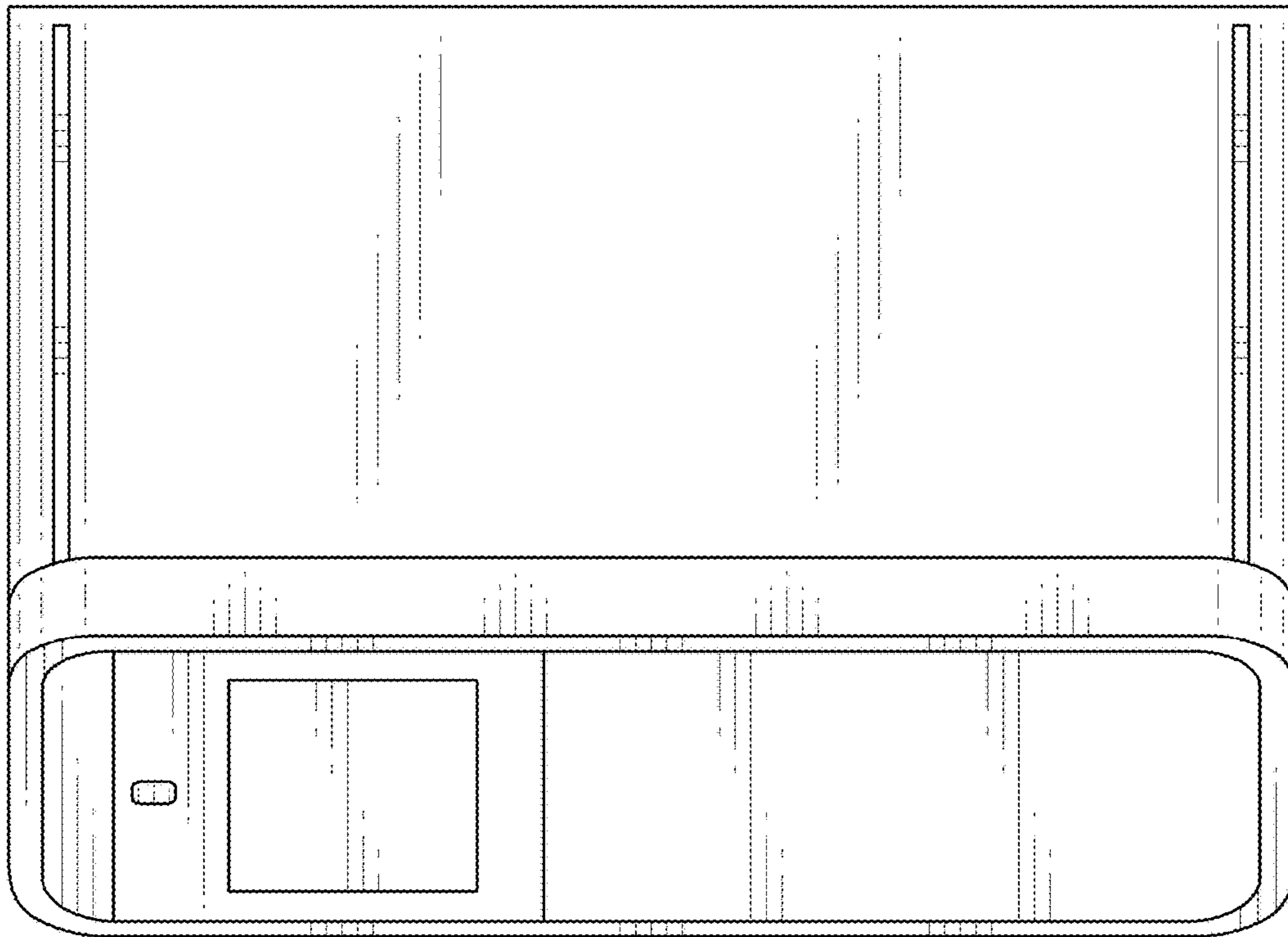


FIG. 5

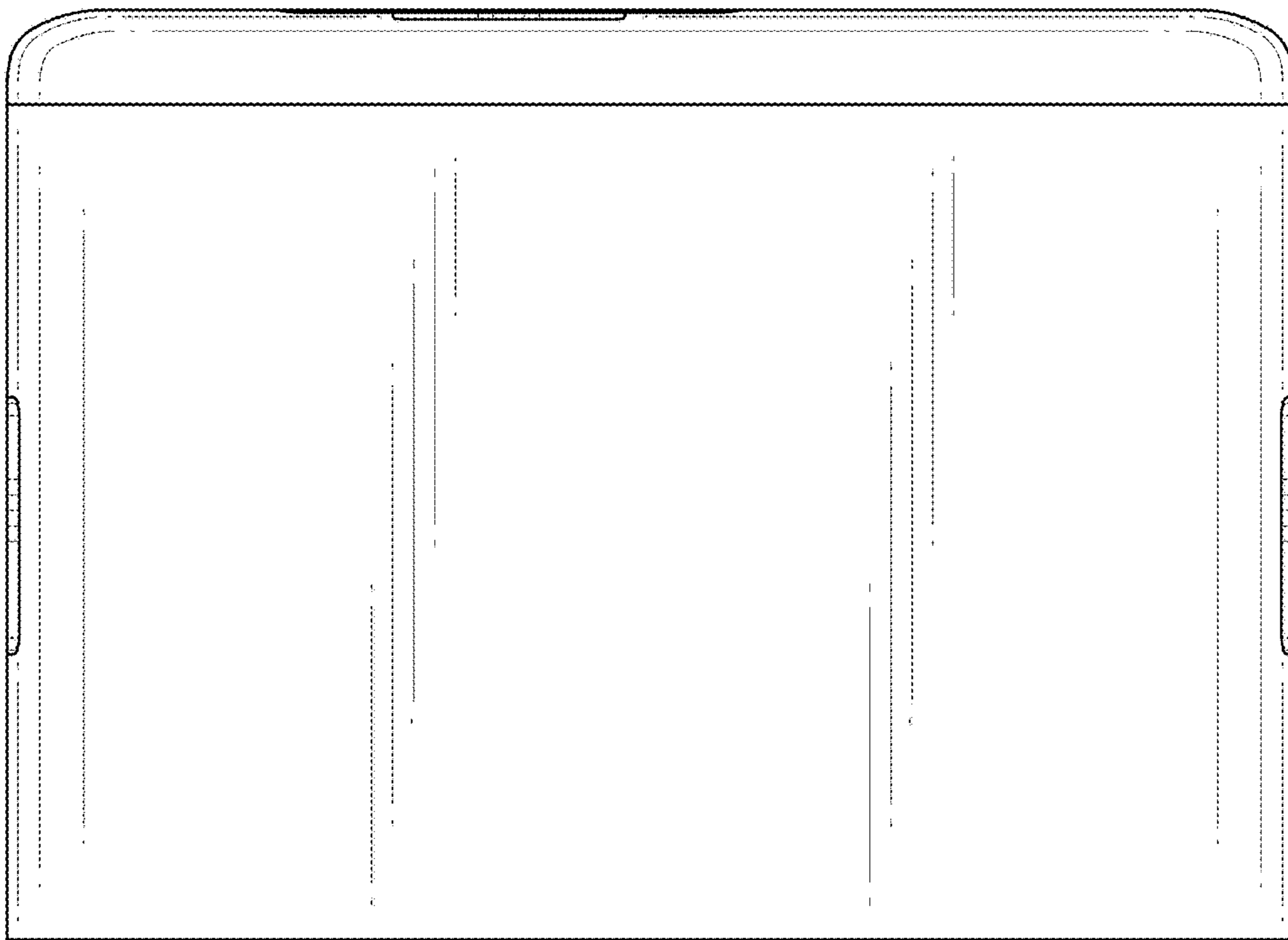


FIG. 6

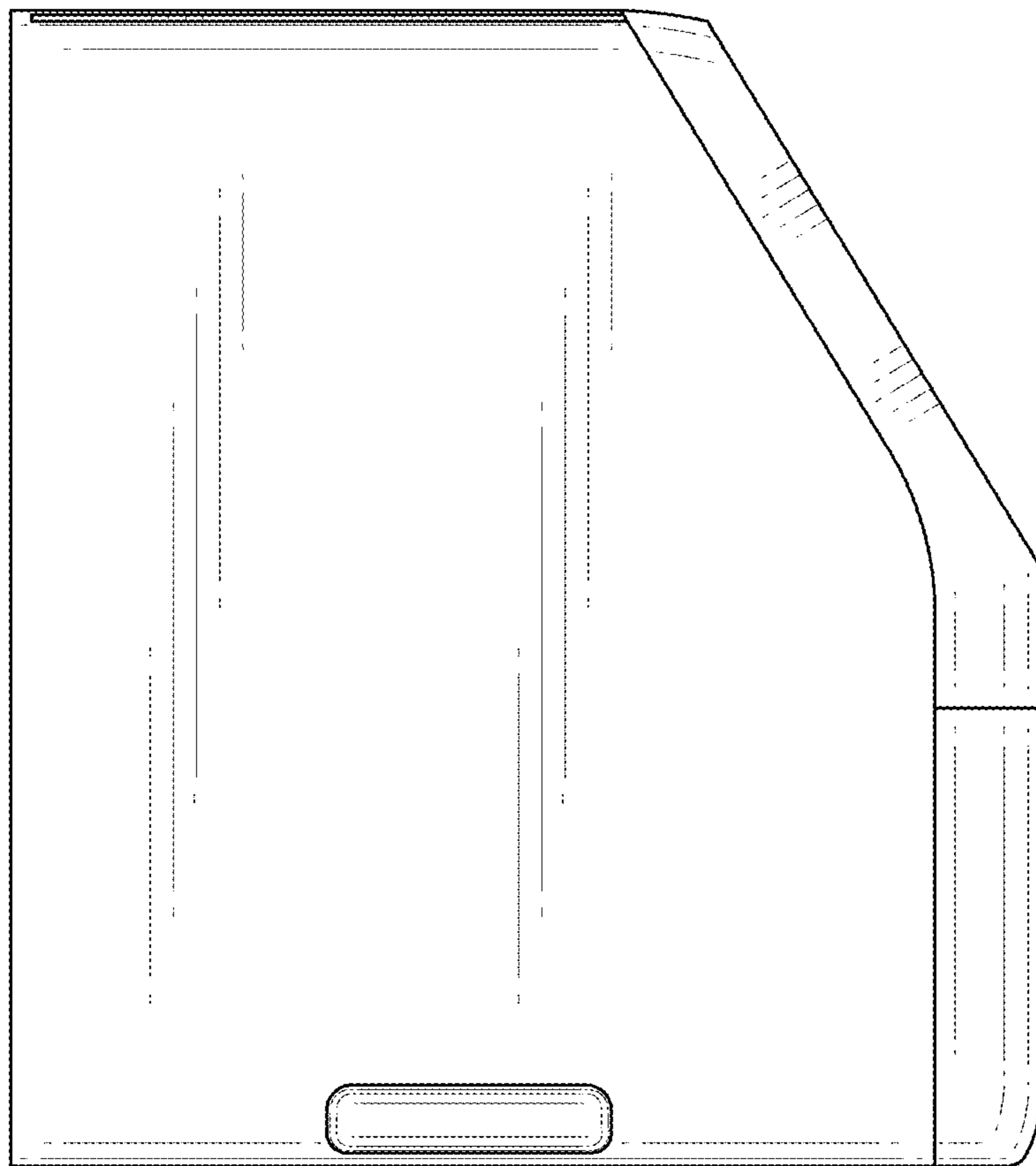


FIG. 7

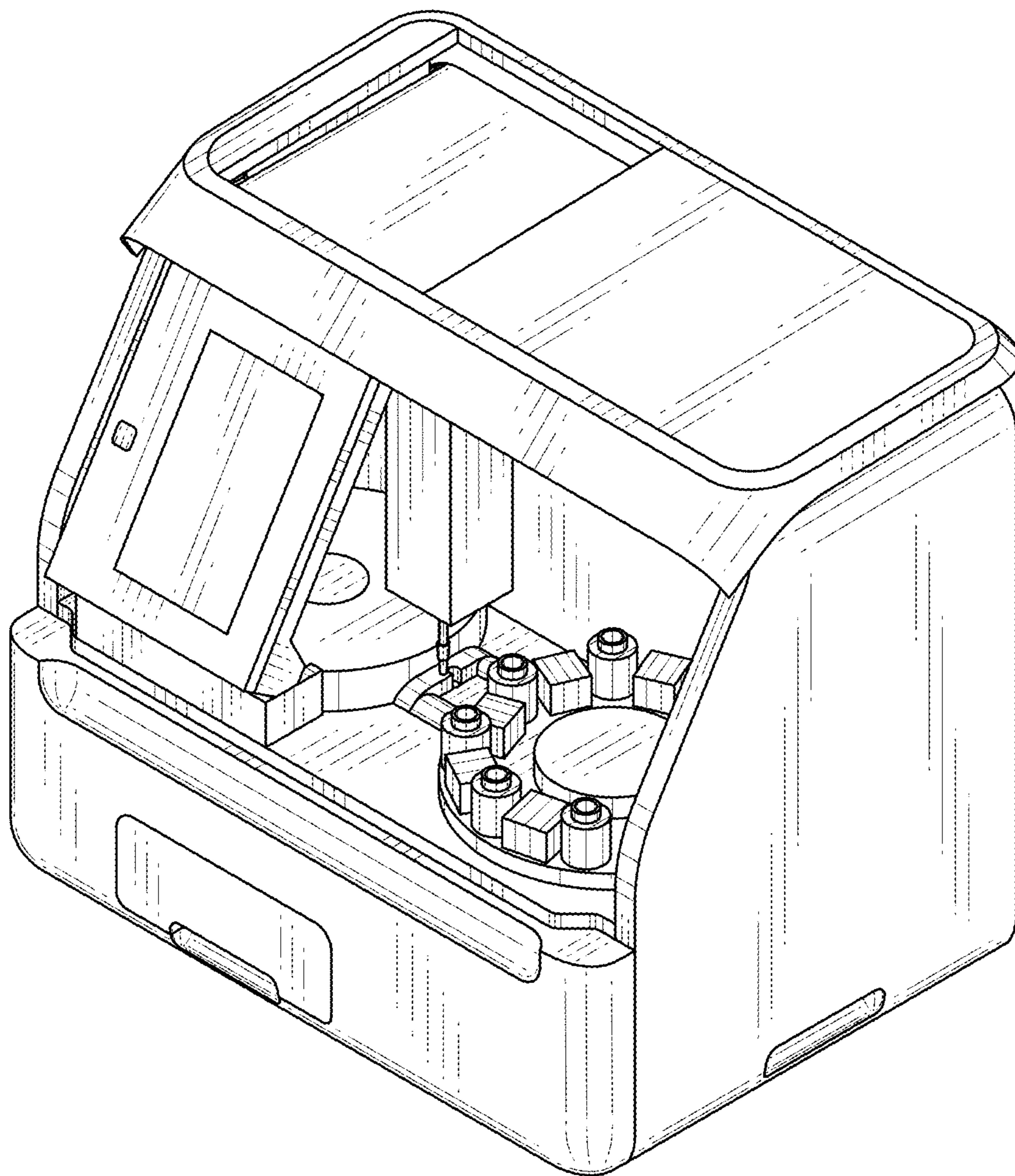


FIG. 8

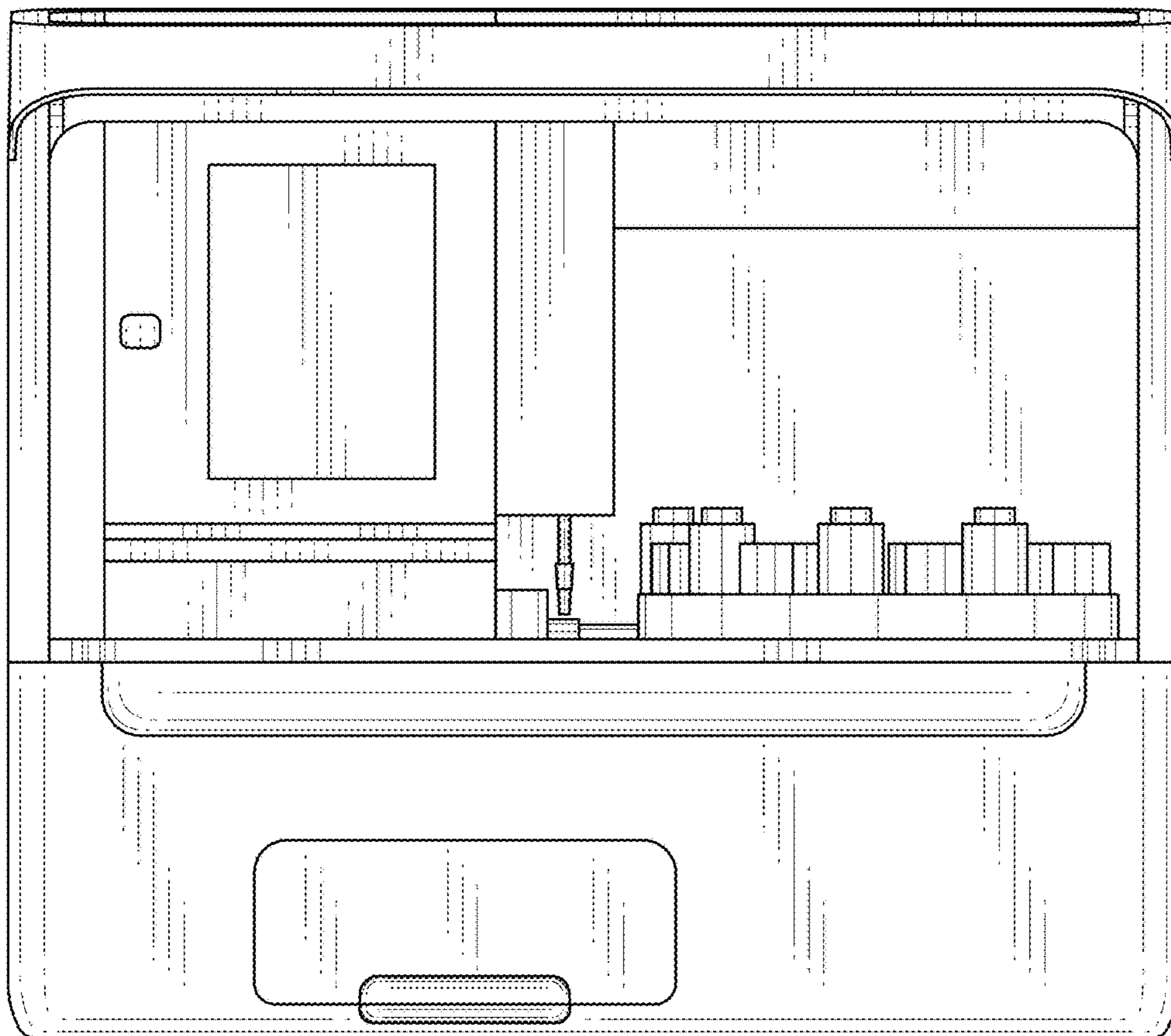


FIG. 9

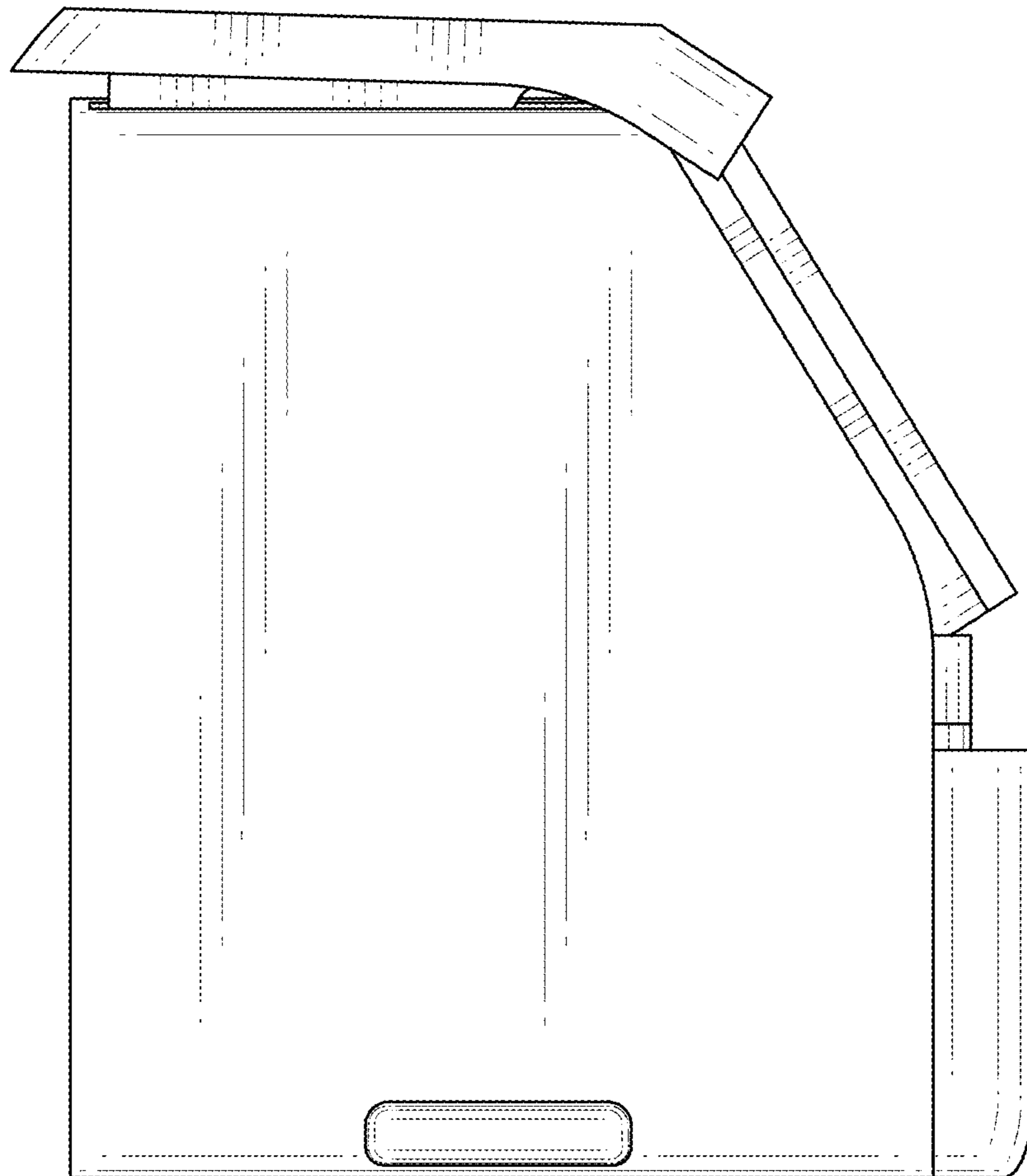


FIG. 10

