



US00D818137S

(12) **United States Design Patent** (10) **Patent No.:** **US D818,137 S**
Kawamura (45) **Date of Patent:** **** May 15, 2018**

(54) **TRAY FOR STERILIZATION AND FREEZE-DRYING OF VIALS**

DESCRIPTION

(71) Applicant: **DAIKYO SEIKO, LTD.**, Tochigi (JP)

(72) Inventor: **Hideaki Kawamura**, Tokyo (JP)

(73) Assignee: **DAIKYO SEIKO, LTD.**, Tokyo (JP)

(**) Term: **15 Years**

(21) Appl. No.: **29/592,938**

(22) Filed: **Feb. 3, 2017**

(30) **Foreign Application Priority Data**

Aug. 31, 2016 (JP) 2016-018691

(51) **LOC (11) Cl.** **24-01**

(52) **U.S. Cl.**
USPC **D24/203**

(58) **Field of Classification Search**
USPC D24/107, 216, 224-232

(Continued)

(56) **References Cited**

U.S. PATENT DOCUMENTS

D533,948 S * 12/2006 Schaub D24/229
7,211,224 B2 * 5/2007 Olivier B01L 3/50255
206/569

(Continued)

OTHER PUBLICATIONS

Design U.S. Appl. No. 29/540,299, filed Sep. 23, 2015.

Primary Examiner — Anhdao Doan

Assistant Examiner — Mary Shannon Malley

(74) *Attorney, Agent, or Firm* — Cermak Nakajima & McGowan LLP; Tomoko Nakajima

(57) **CLAIM**

The ornamental design for a tray for sterilization and freeze-drying of vials, as shown and described.

FIG. 1 is a front elevational view of a tray for sterilization and freeze-drying of vials showing my new design; FIG. 2 is a rear elevational view thereof; FIG. 3 is a top plan view thereof; FIG. 4 is a bottom plan view thereof; FIG. 5 is a right side elevational view thereof; FIG. 6 is a left side elevational view thereof; FIG. 7 is a front perspective view thereof; FIG. 8 is a rear perspective view thereof; FIG. 9 is a partially enlarged front elevational view thereof taken along lines 9-9 and 9'-9' shown in FIG. 1; FIG. 10 is a partially enlarged rear elevational view thereof taken along lines 9-9 and 9'-9' shown in FIG. 1; FIG. 11 is a partially enlarged cross sectional view thereof taken along the line 11-11 shown in FIG. 9; FIG. 12 is a partially enlarged cross sectional view thereof taken along the line 12-12 shown in FIG. 9; FIG. 13 is a partially enlarged front perspective view thereof taken along lines 9-9 and 9'-9' shown in FIG. 1; FIG. 14 is a partially enlarged rear perspective view thereof taken along lines 9-9 and 9'-9' shown in FIG. 1; FIG. 15 is a partially enlarged front elevational view thereof taken along lines 9-9 and 15-15 shown in FIG. 1; FIG. 16 is a partially enlarged rear elevational view thereof taken along lines 9-9 and 15-15 shown in FIG. 1; FIG. 17 is a partially enlarged cross sectional view thereof taken along the line 17-17 shown in FIG. 15; FIG. 18 is a partially enlarged cross sectional view thereof taken along the line 18-18 shown in FIG. 15; FIG. 19 is a partially enlarged front elevational view thereof taken along lines 9-9 and 15-15 shown in FIG. 1; FIG. 20 is a partially enlarged rear perspective view thereof taken along lines 9-9 and 15-15 shown in FIG. 1; FIG. 21 is a partially enlarged front elevational view thereof taken along lines 21-21 and 21'-21' shown in FIG. 1; FIG. 22 is a partially enlarged rear elevational view thereof taken along lines 21-21 and 21'-21' shown in FIG. 1; FIG. 23 is a partially enlarged cross sectional view thereof taken along the line 23-23 shown in FIG. 21; FIG. 24 is a partially enlarged cross sectional view thereof taken along the line 24-24 shown in FIG. 21;

(Continued)

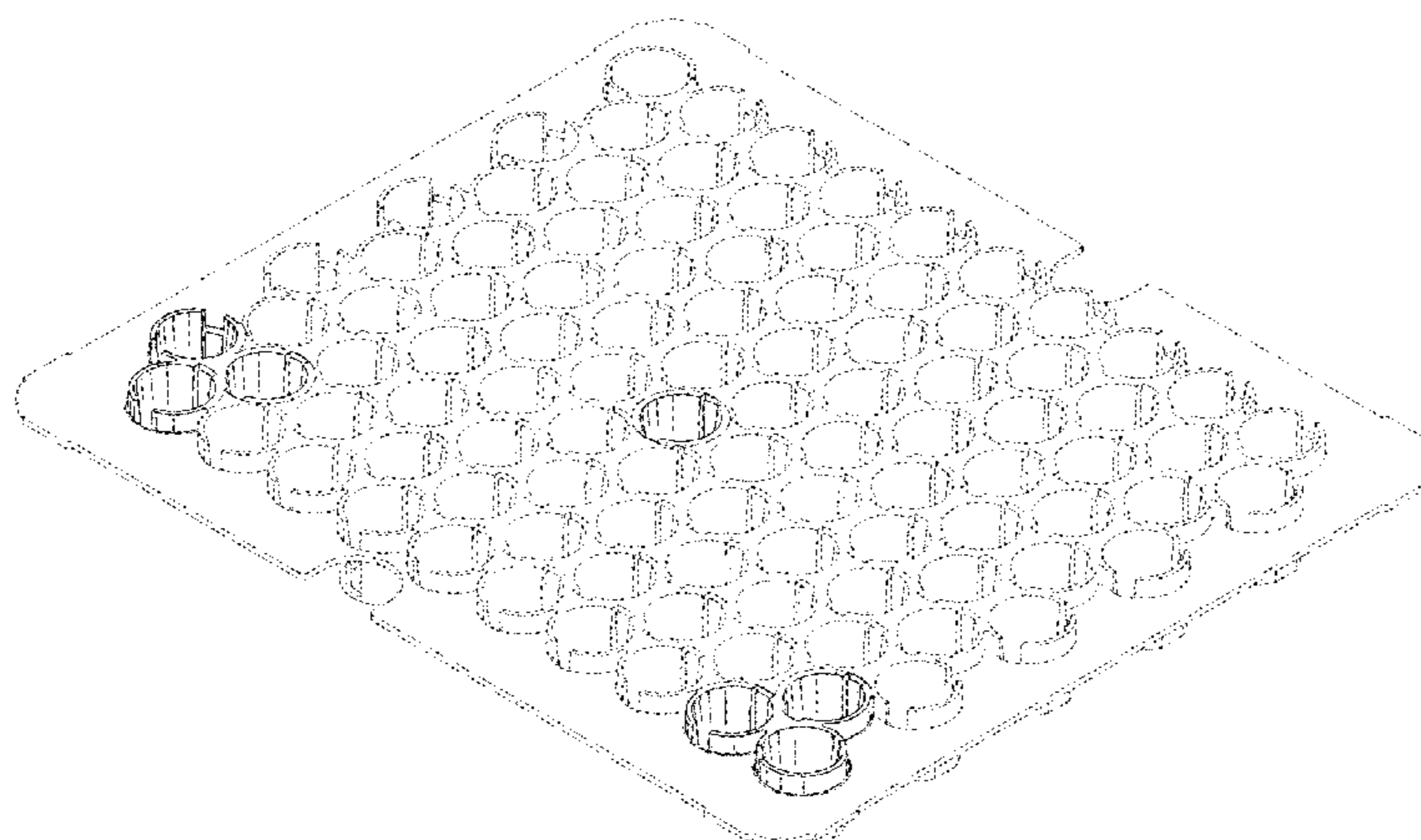


FIG. 25 is a partially enlarged front perspective view thereof taken along lines 21-21 and 21'-21' shown in FIG. 1

FIG. 26 is a partially enlarged rear perspective view thereof taken along lines 21-21 and 21'-21' shown in FIG. 1

FIG. 27 is a partially enlarged cross sectional view thereof taken along line 12-12 shown in FIG. 9, showing one state of use; and,

FIG. 28 is a referential perspective view thereof, showing another state of use.

The broken lines showing vials and a tray case in FIGS. 27 and 28 represent environment that forms no part of the claimed design. all other broken lines show portions of the tray for sterilization and freeze-drying of vials that form no part of the claimed design.

The dash-dot line represents the boundary of the claimed design.

1 Claim, 28 Drawing Sheets

(58) Field of Classification Search

CPC .. B01L 9/54; B01L 9/523; B01L 9/527; B01L

9/543; B01L 9/547; B01L 3/5085; B01L 3/5027; G01N 35/1002; G01N 35/02

See application file for complete search history.

(56)

References Cited

U.S. PATENT DOCUMENTS

8,460,622	B2 *	6/2013	Motadel	B01L 9/543 211/126.1
D690,028	S	9/2013	Tsukiji	
D694,908	S *	12/2013	Okihara	D24/230
D697,227	S *	1/2014	Motadel	D24/227
D701,617	S	3/2014	Tsukiji	
9,468,711	B2 *	10/2016	Iwase	A61M 5/008
D783,177	S *	4/2017	Kawamura	D24/227
2009/0100802	A1 *	4/2009	Bush	A61M 5/002 53/434
2009/0288977	A1 *	11/2009	Vanderbush	A61M 5/002 206/524.8
2010/0258578	A1 *	10/2010	Motadel	B01L 9/543 221/1
2015/0089830	A1 *	4/2015	Wissner et al.	F26B 5/06 34/284

* cited by examiner

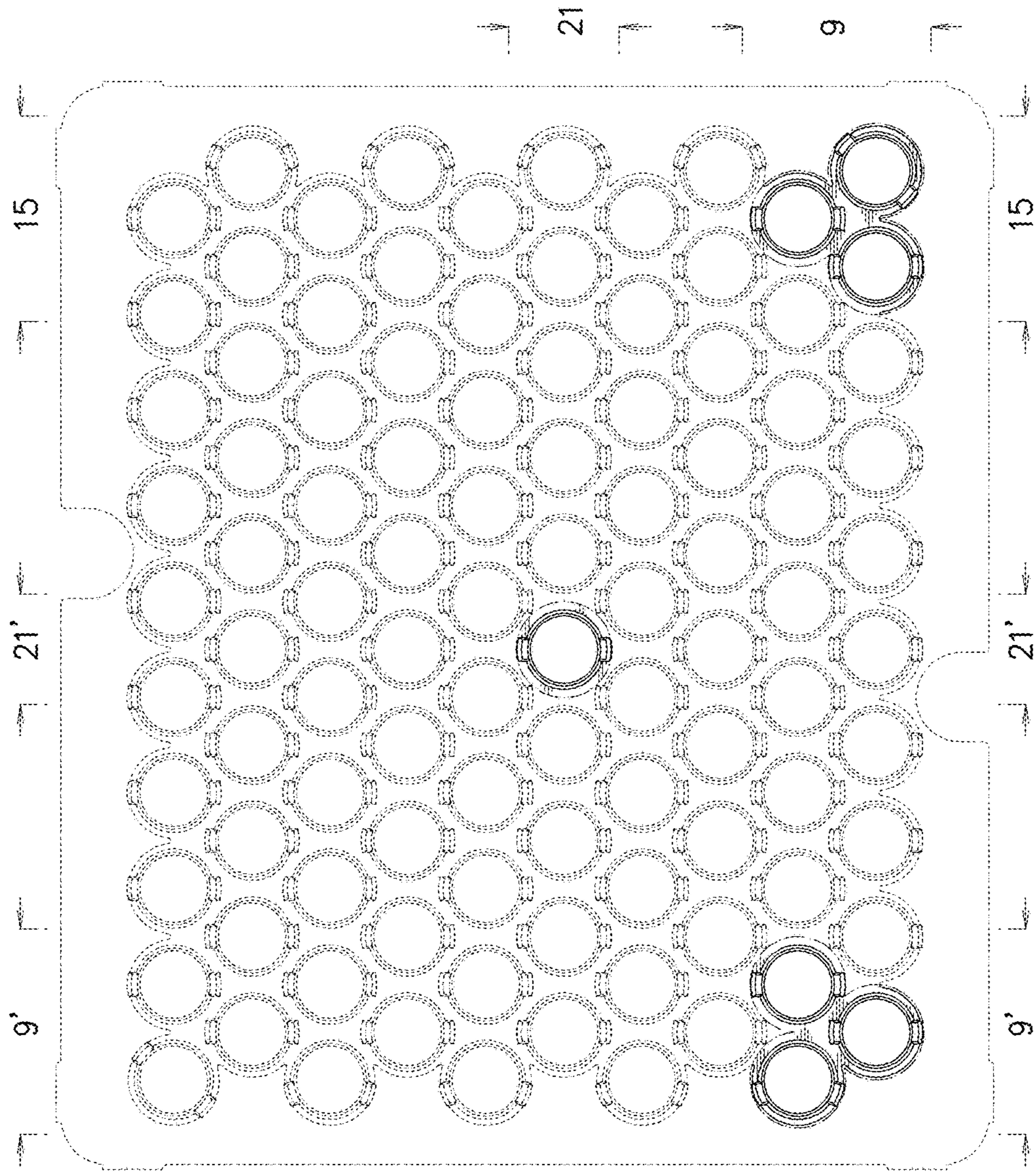


FIG. 1

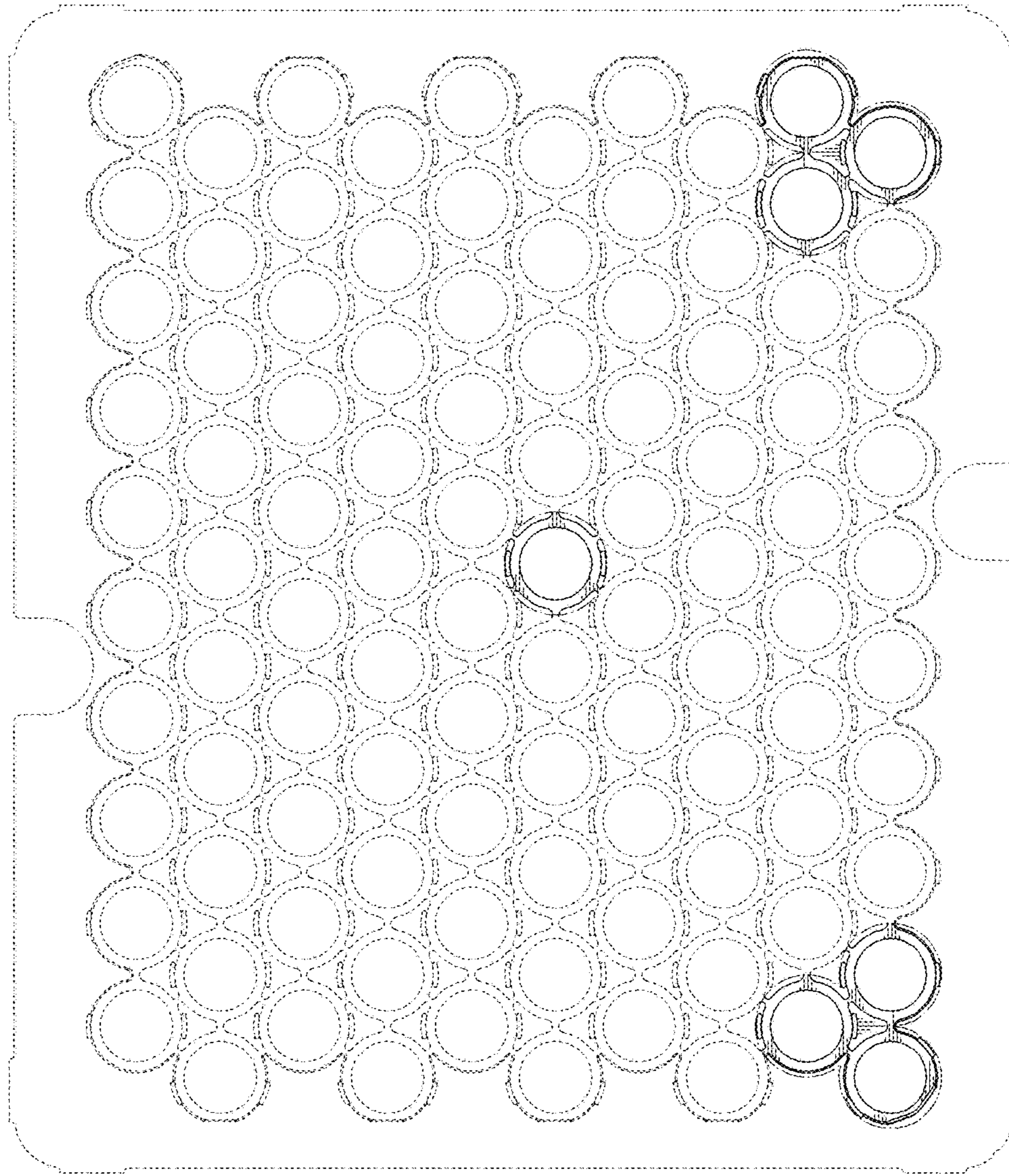


FIG. 2

FIG. 3

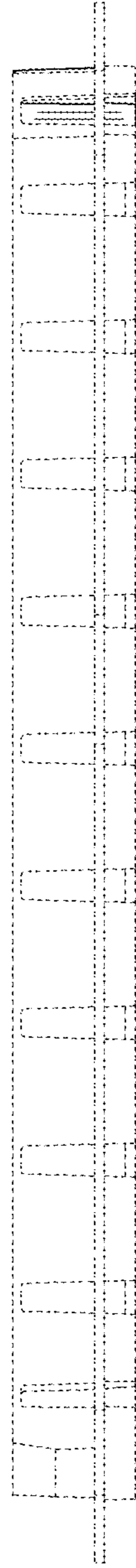
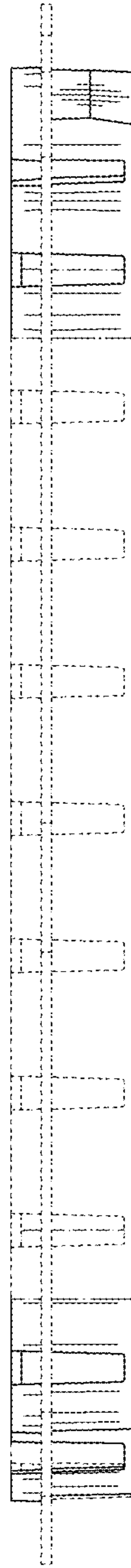


FIG. 4



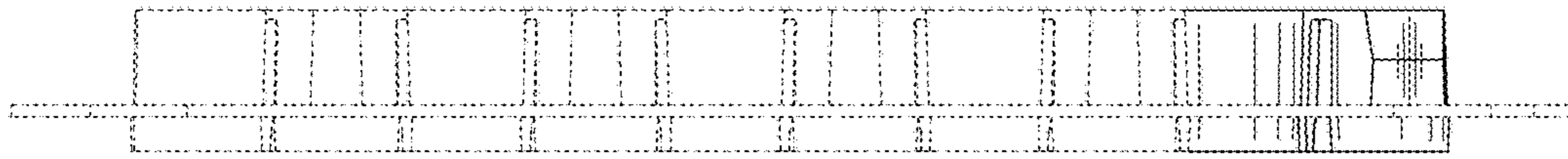


FIG. 5

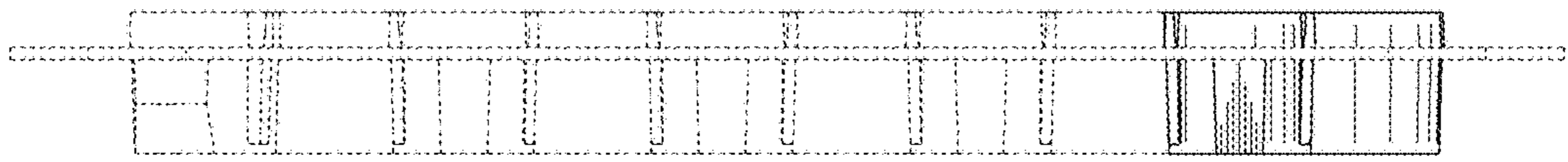


FIG. 6

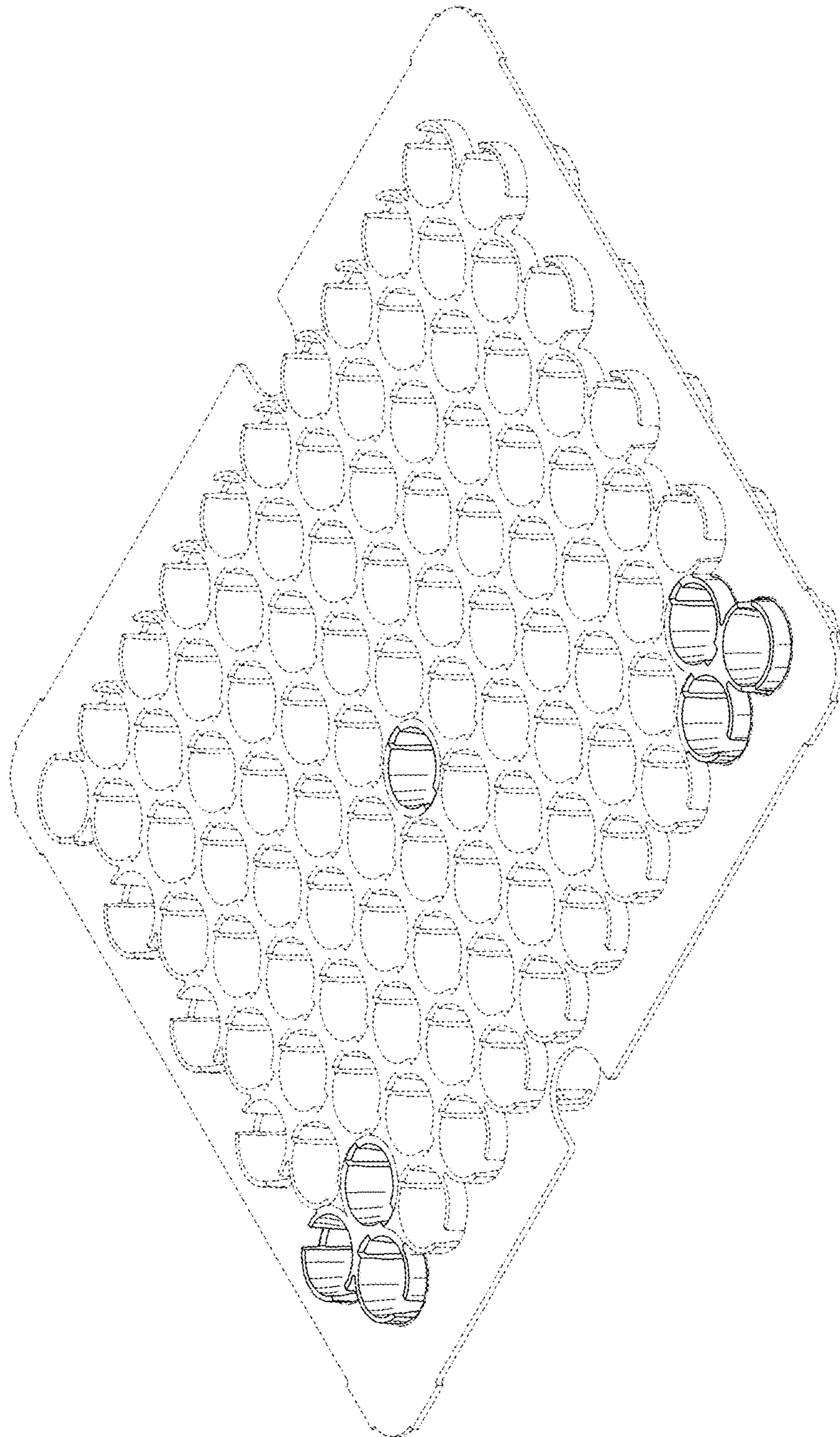


FIG. 7

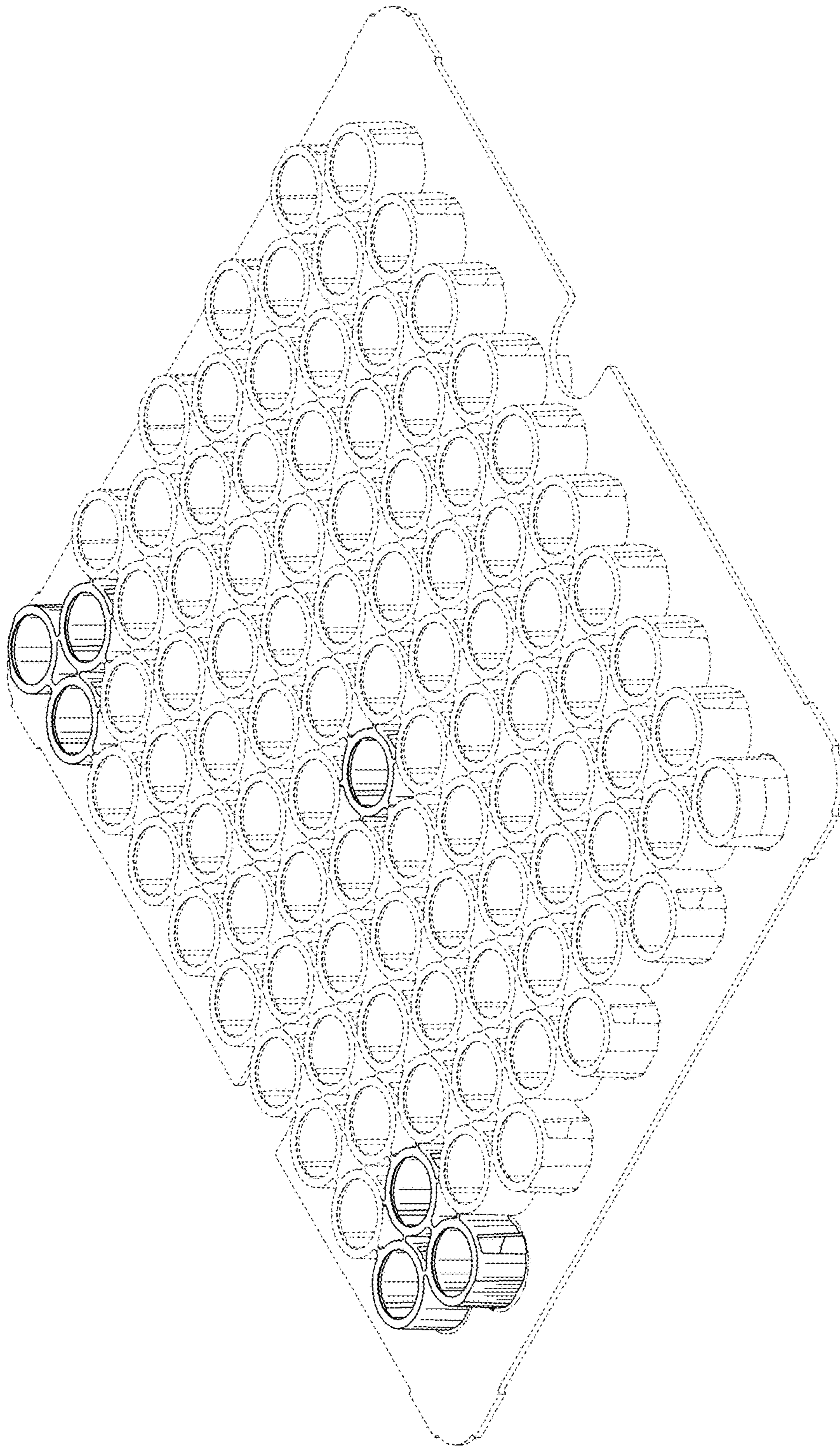


FIG. 8

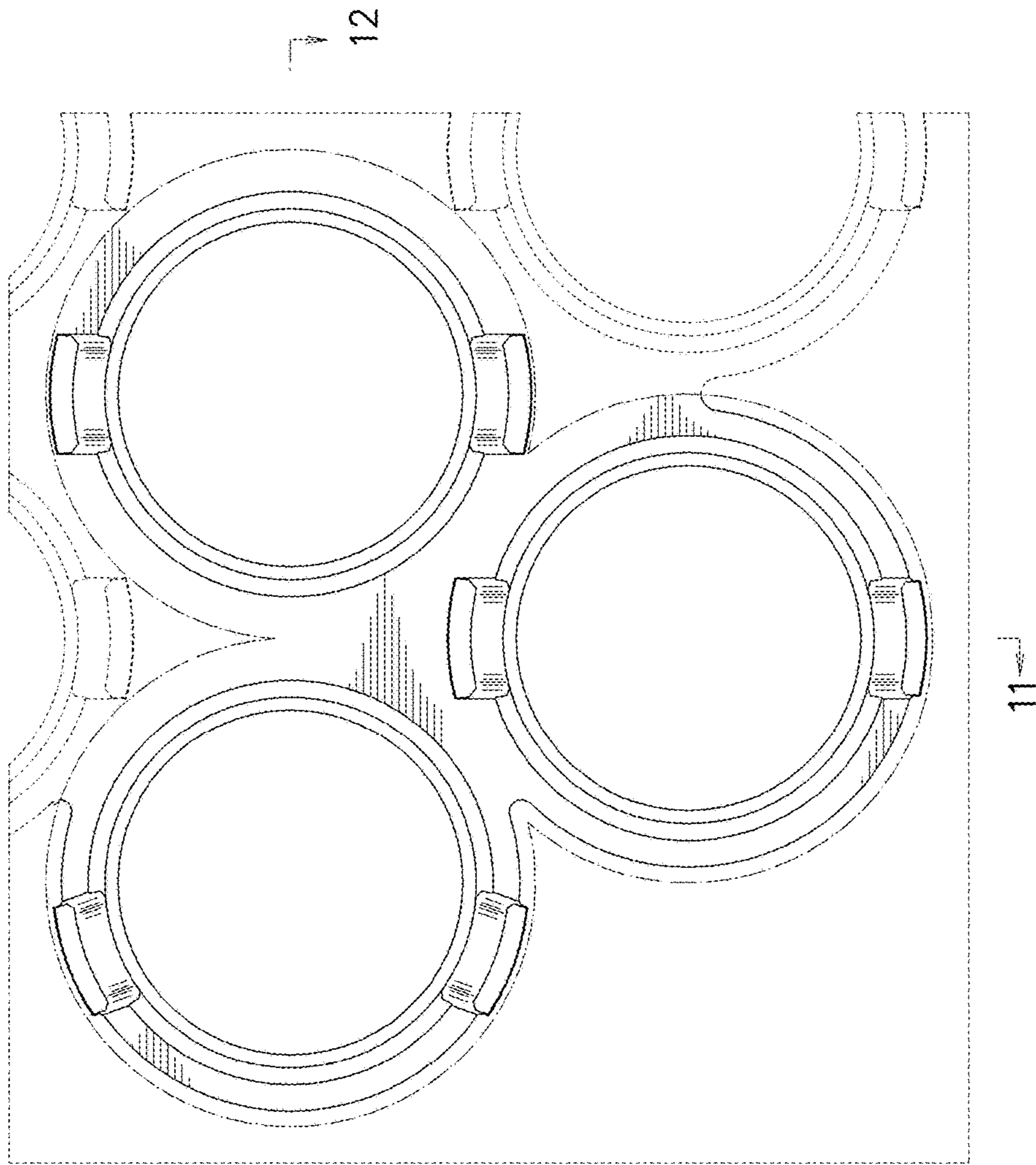


FIG. 9

12

11

12

11

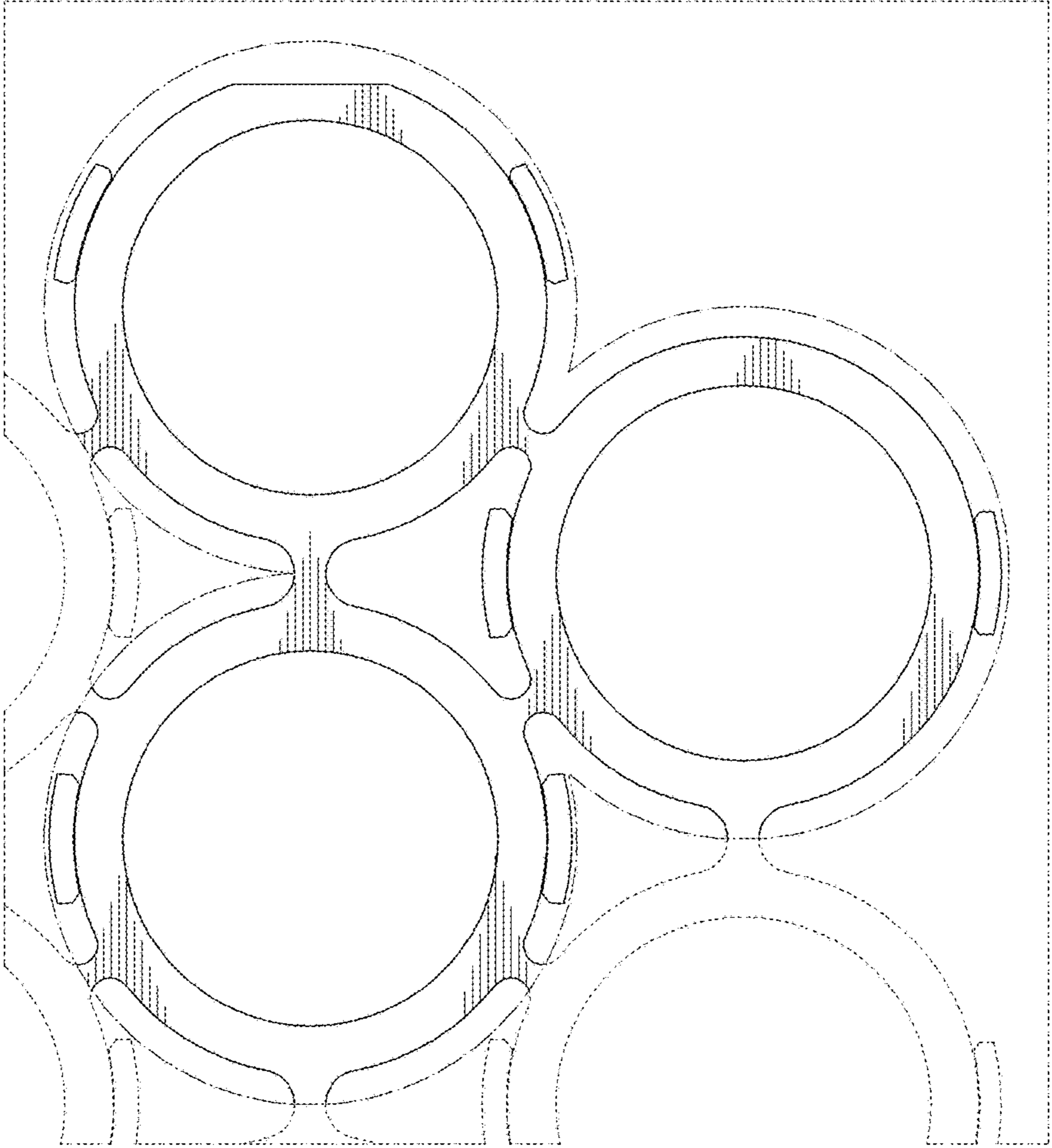


FIG. 10

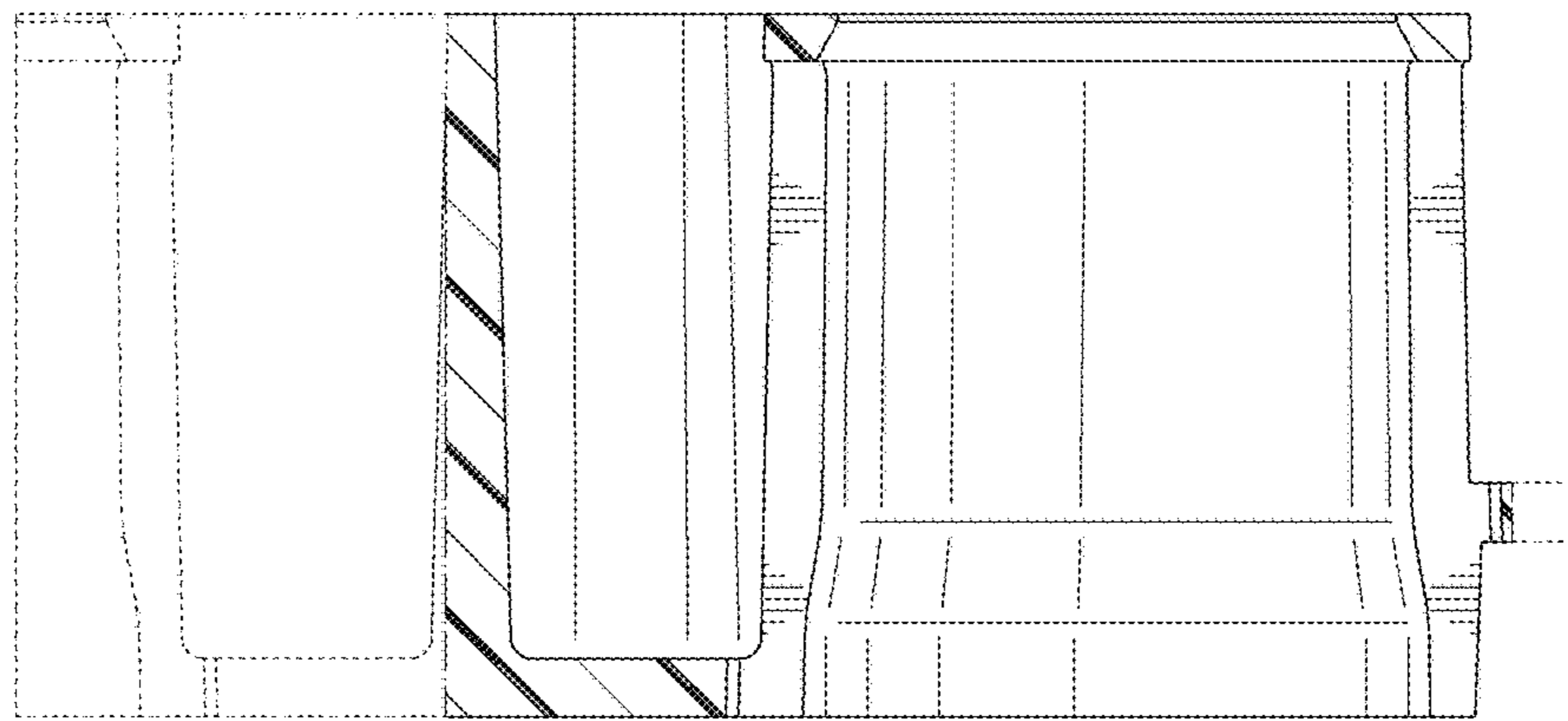


FIG. 11

FIG. 12

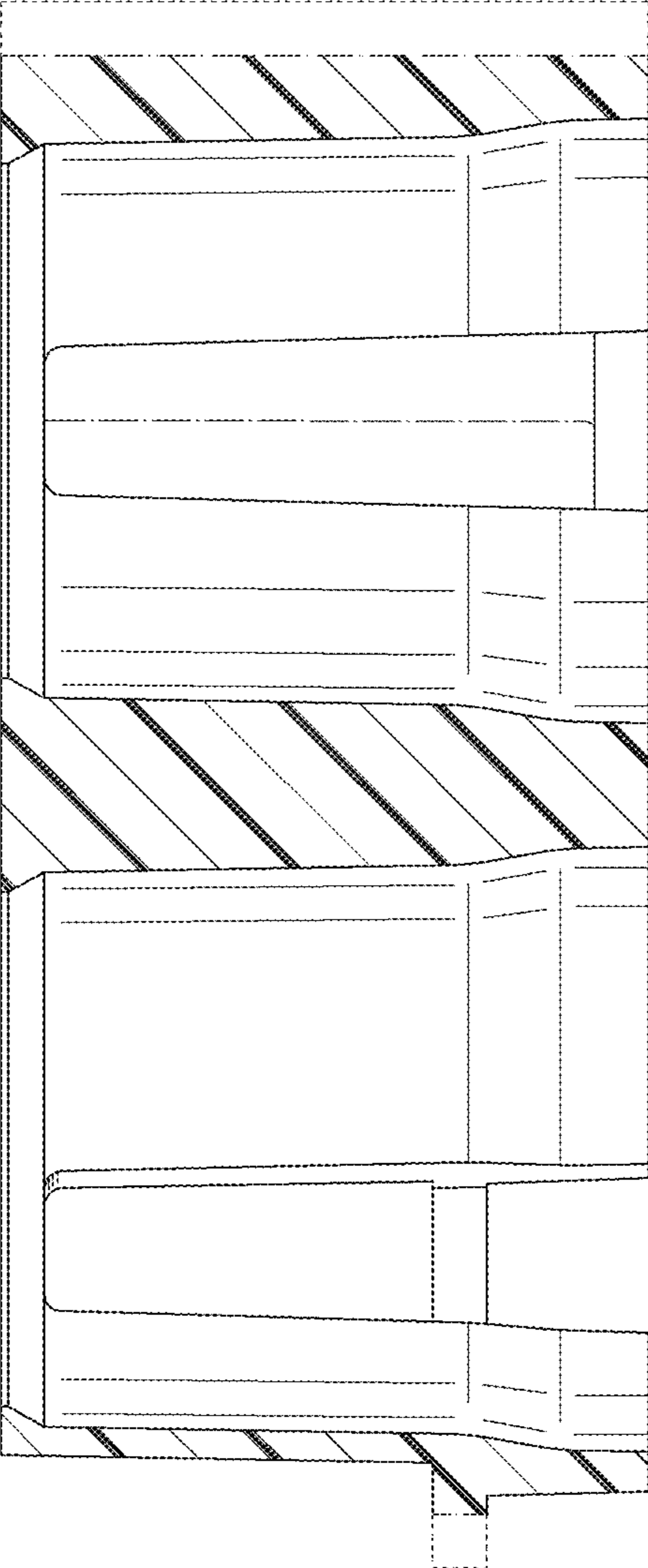
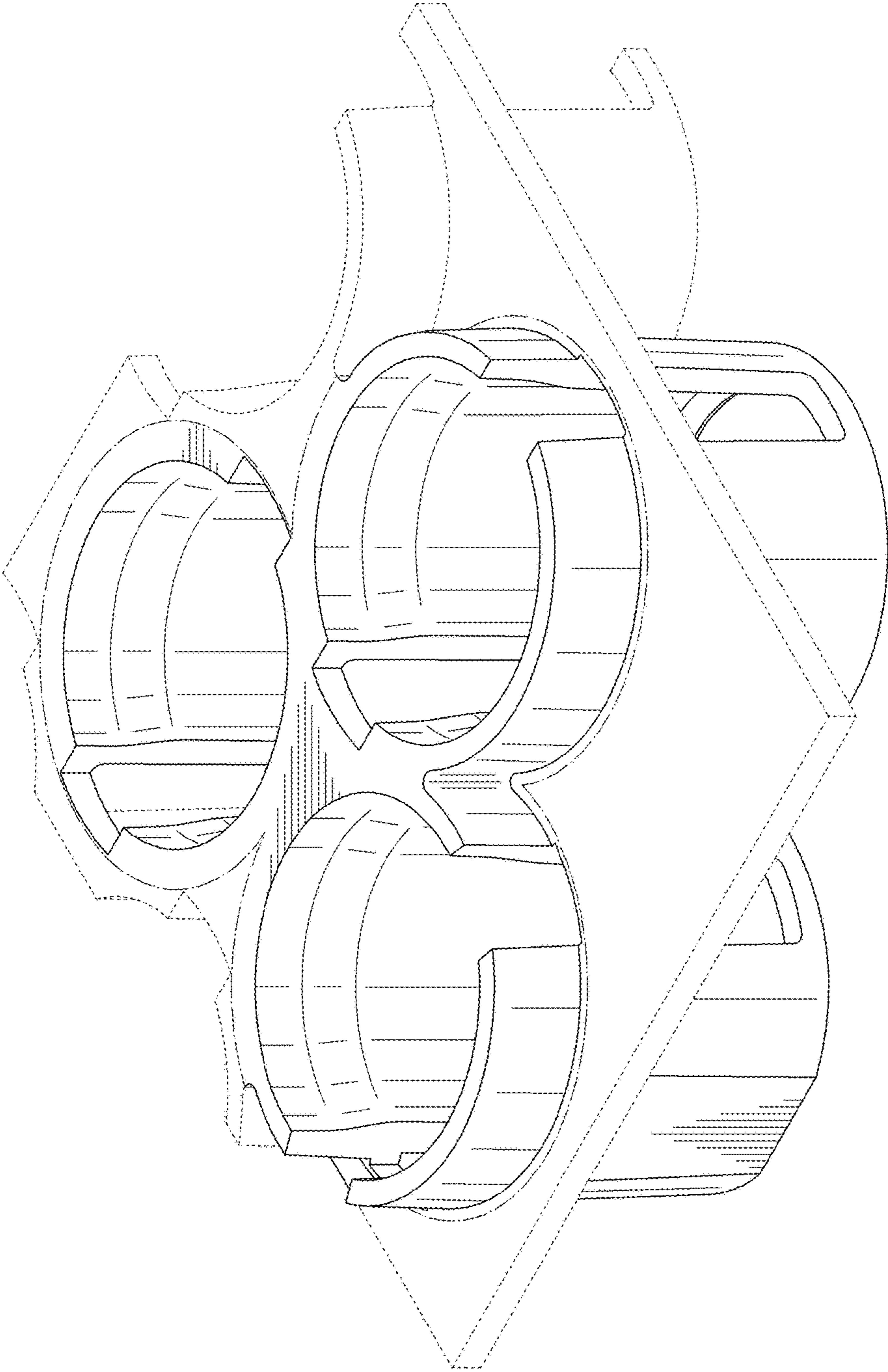


FIG. 13



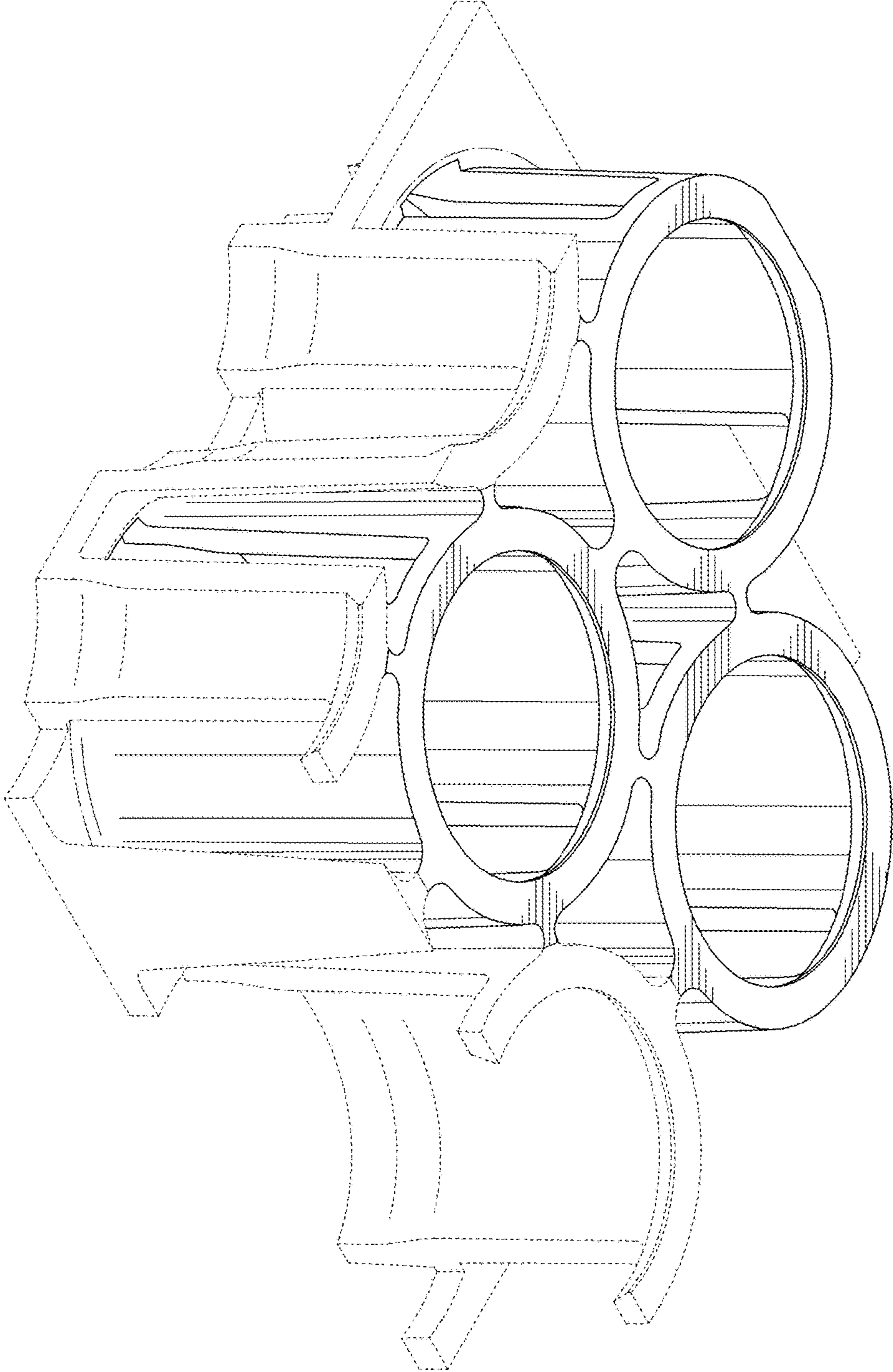
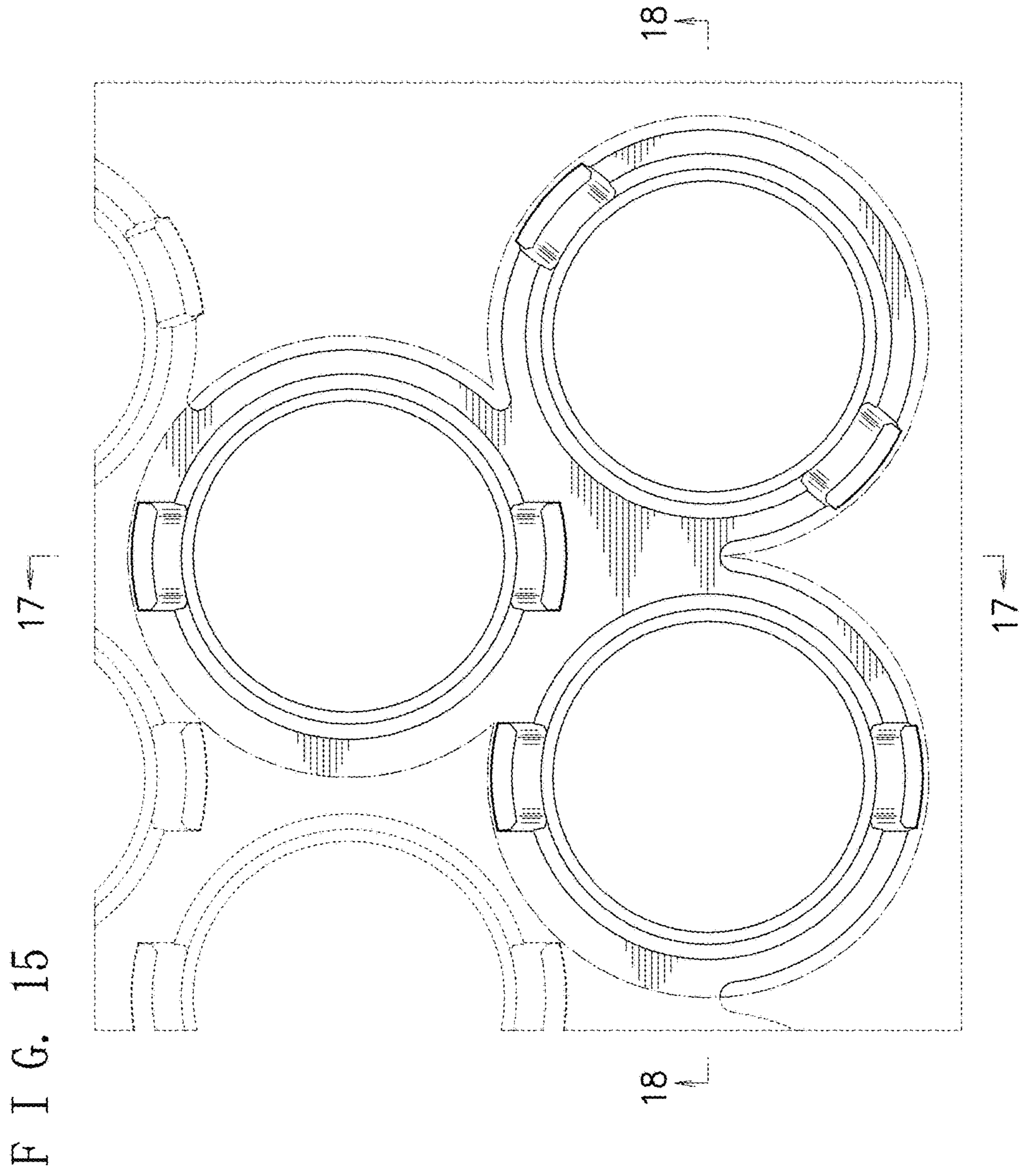


FIG. 14



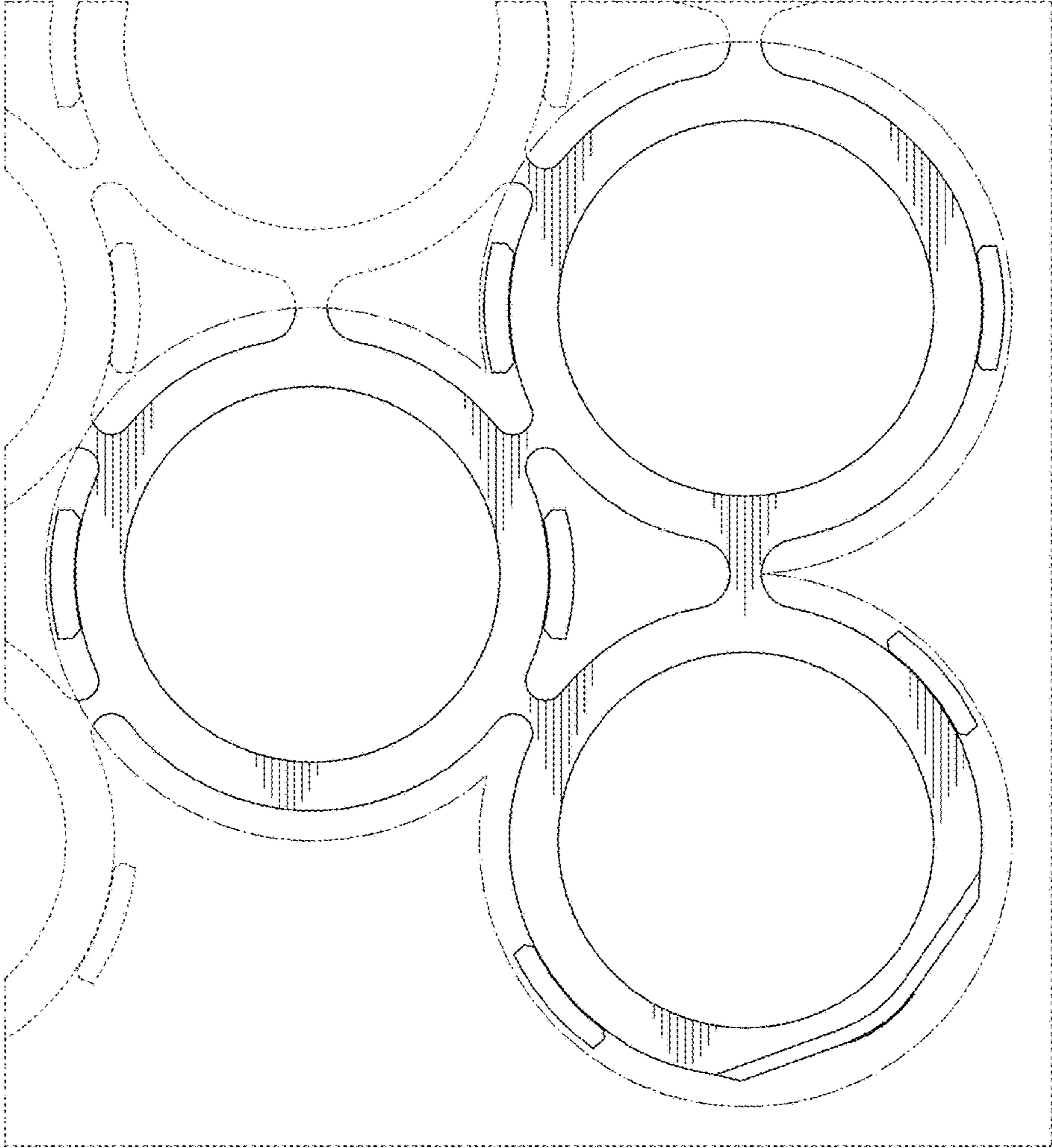


FIG. 16

FIG. 17

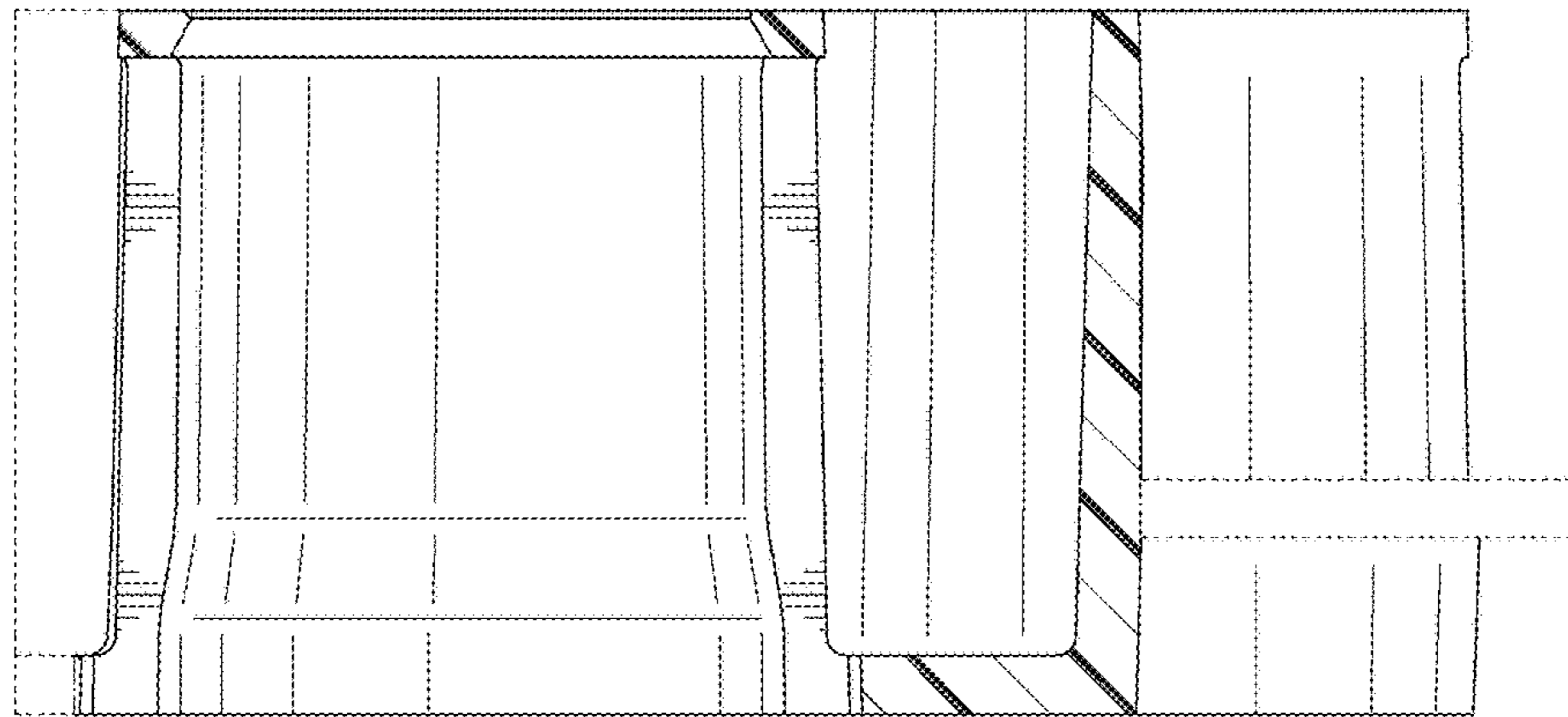
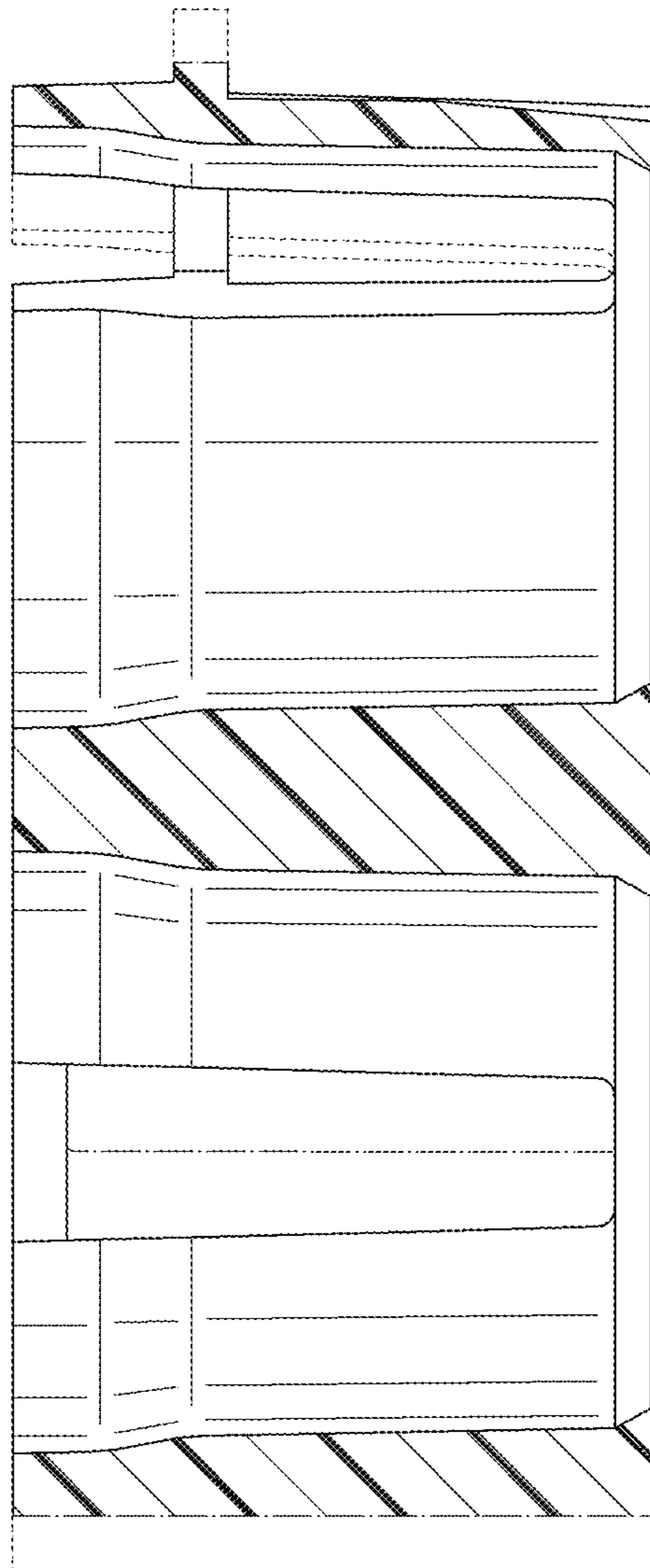


FIG. 18



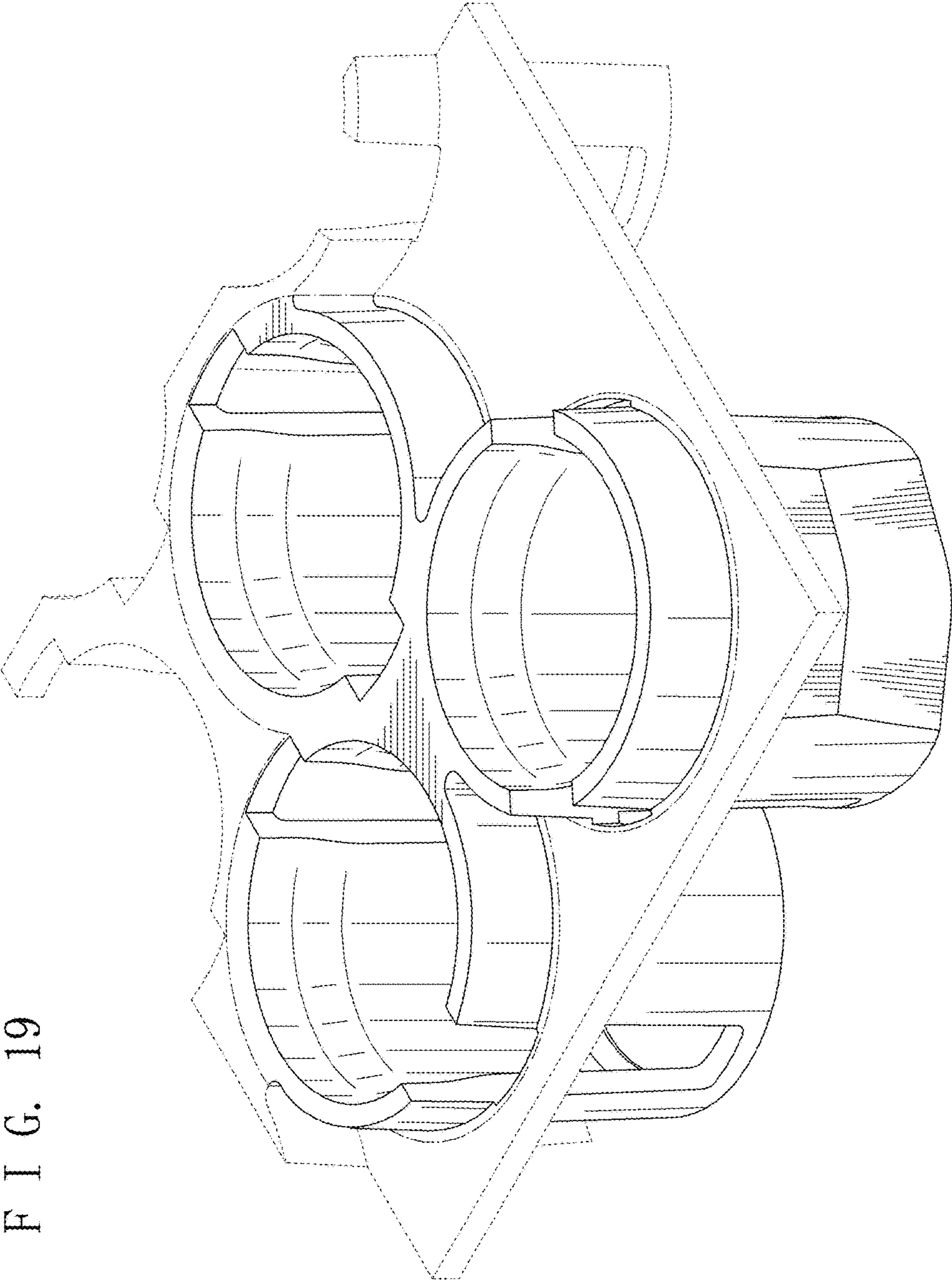


FIG. 19

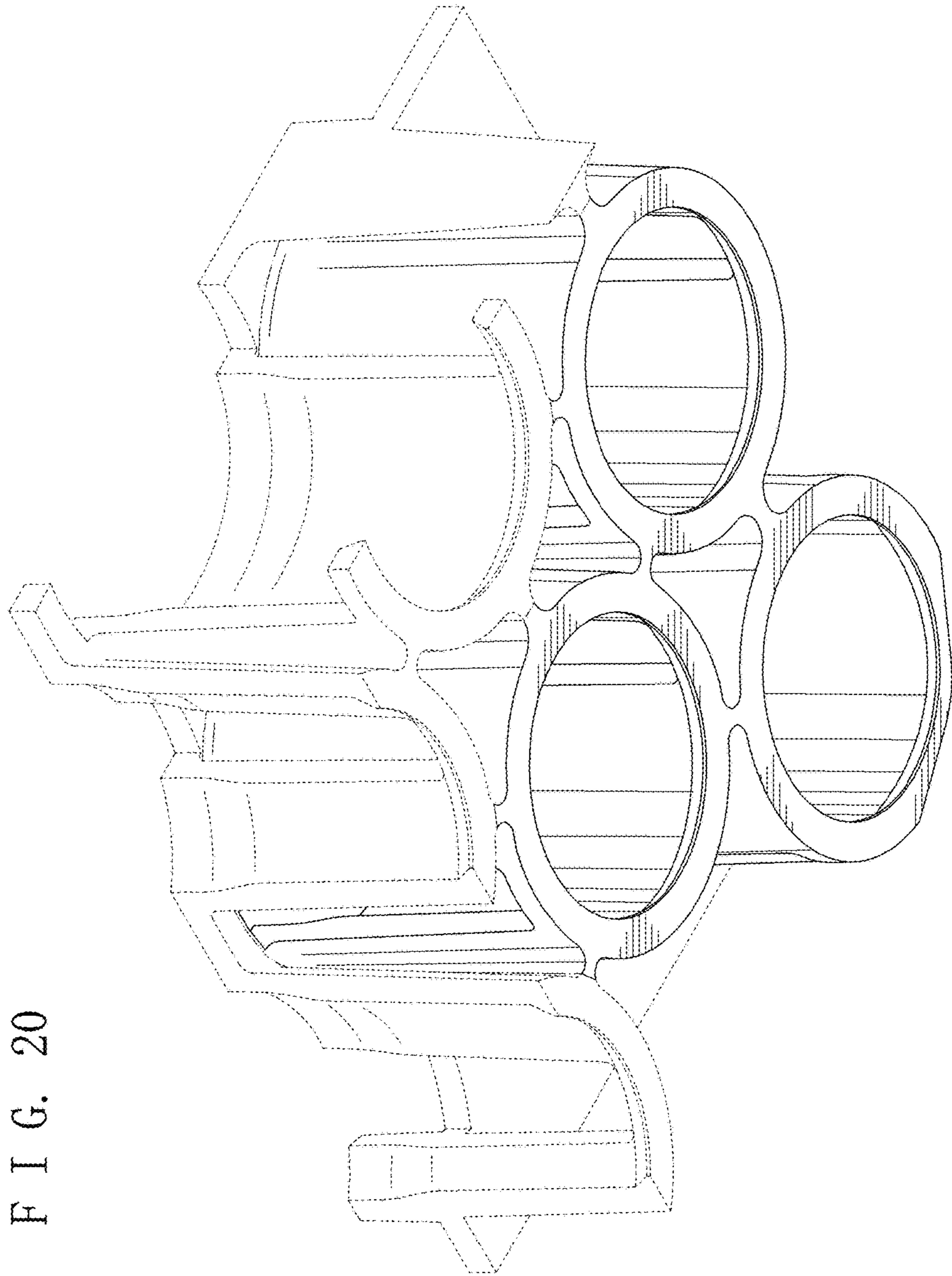


FIG. 20

FIG. 21

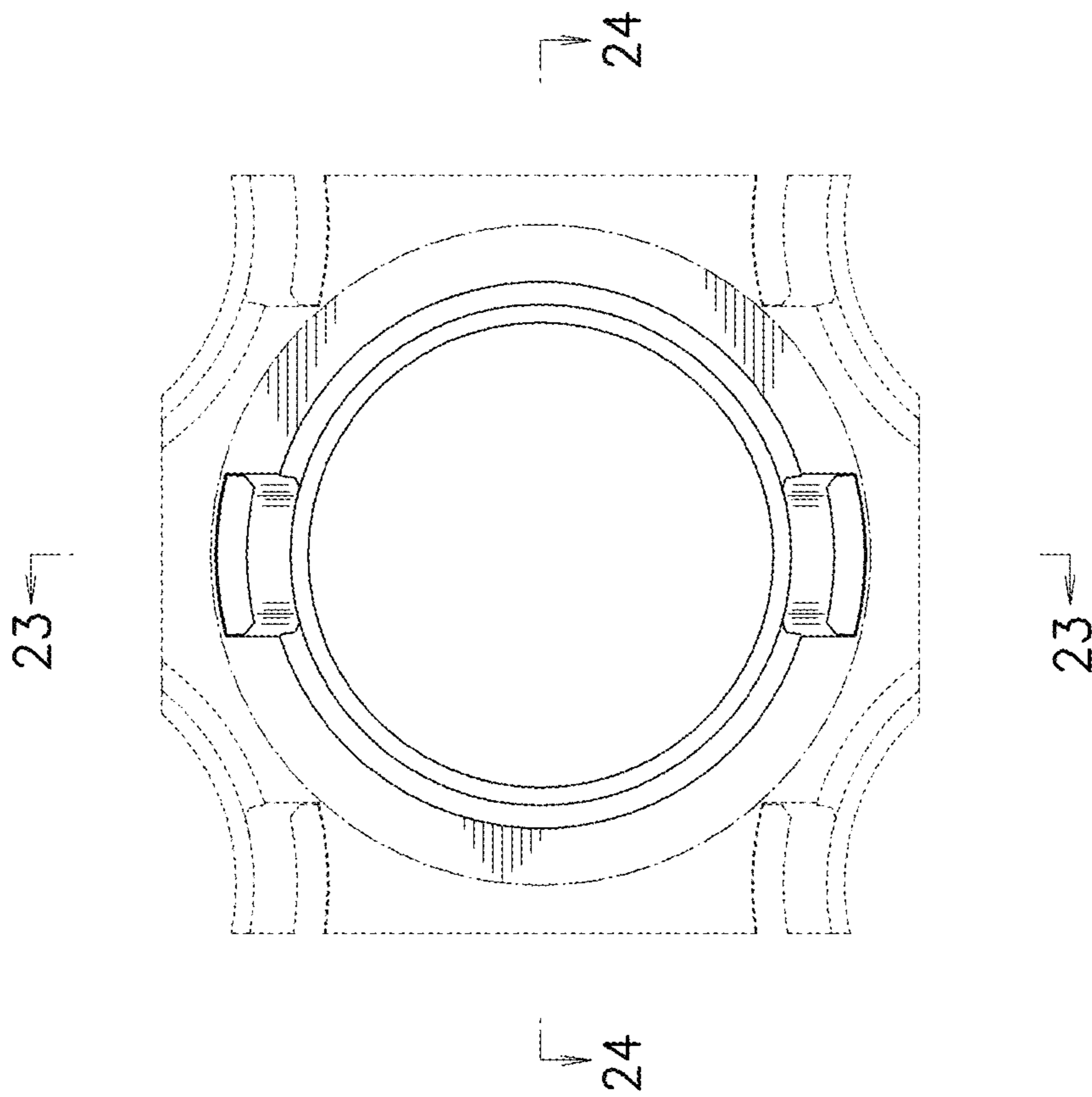


FIG. 22

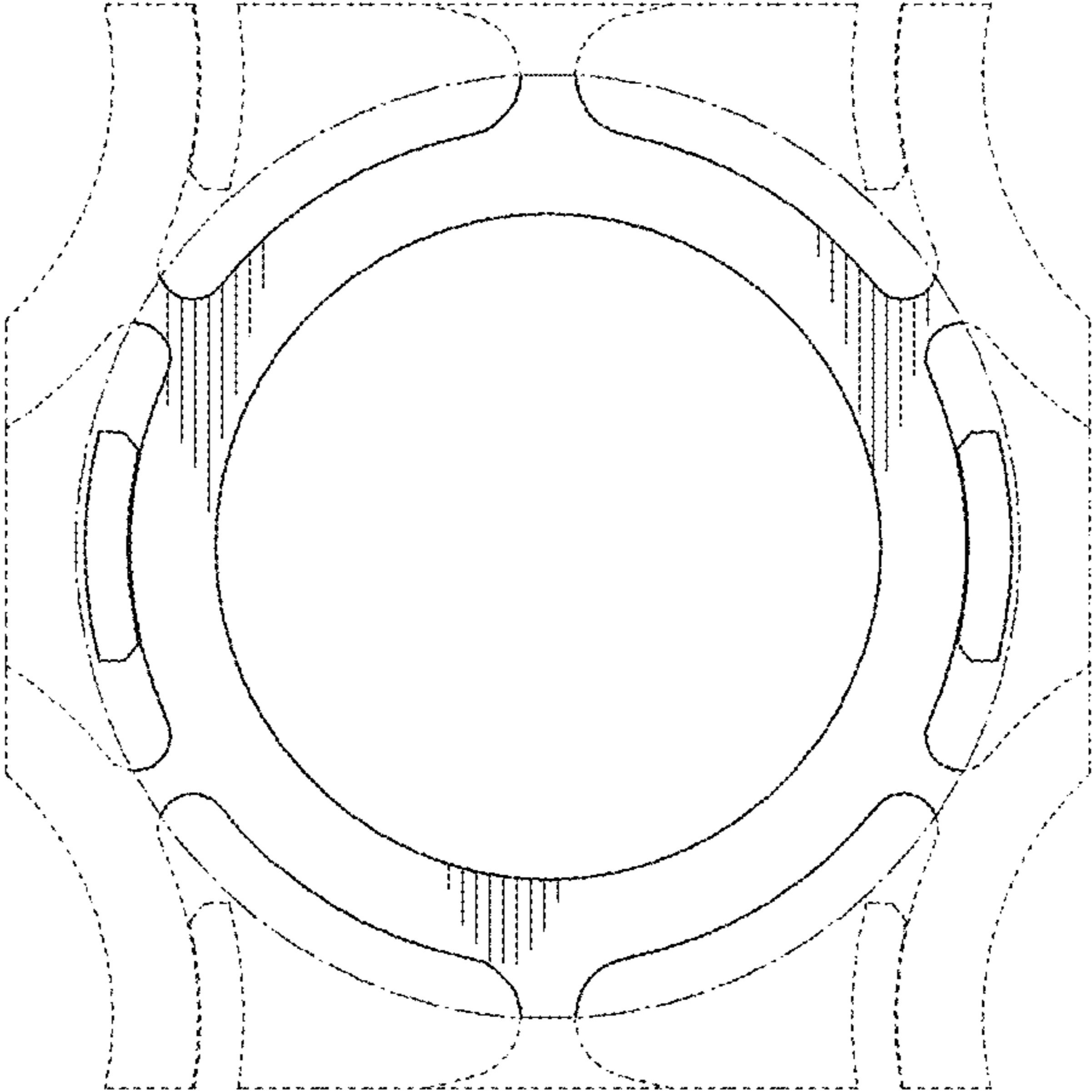


FIG. 23

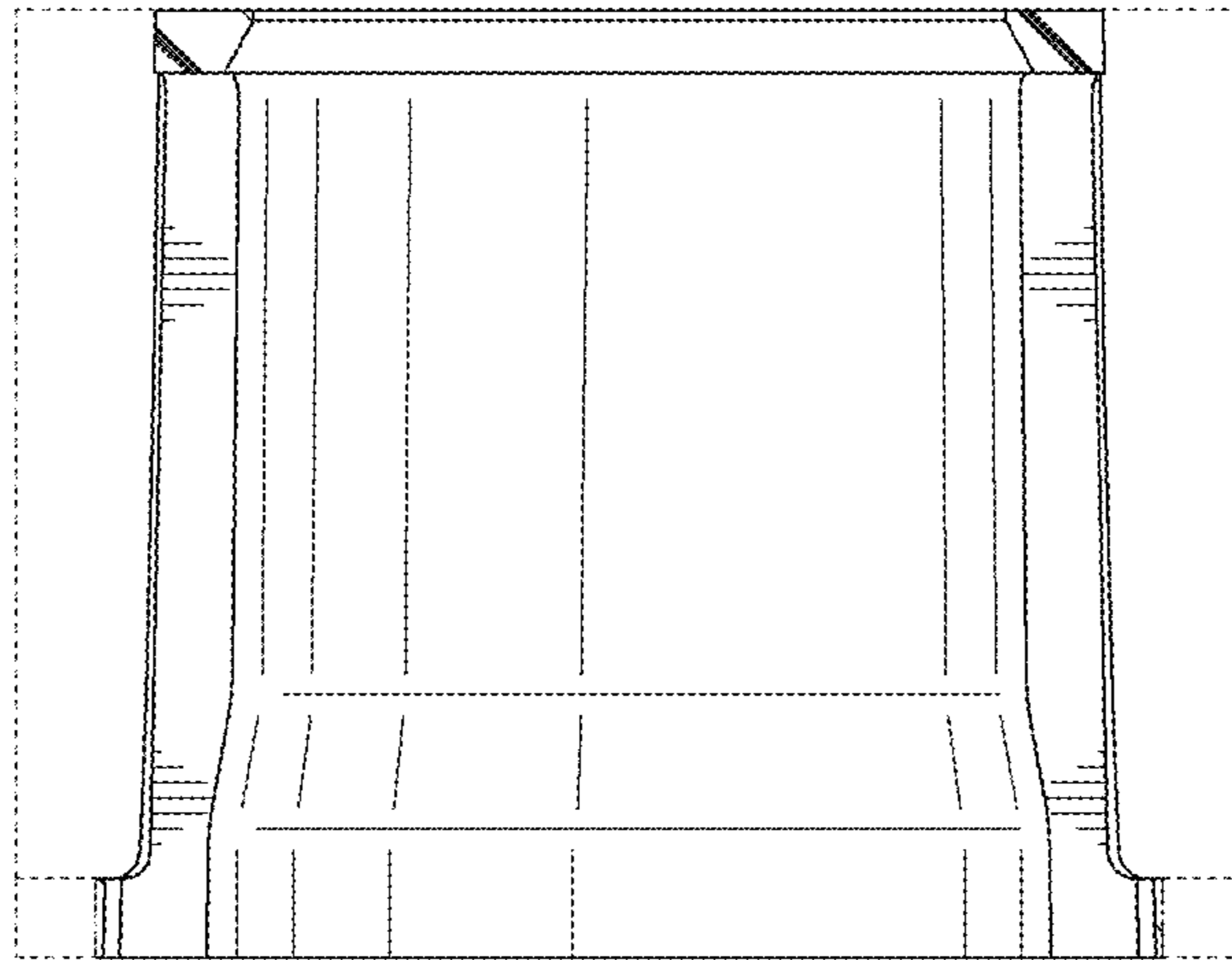


FIG. 24

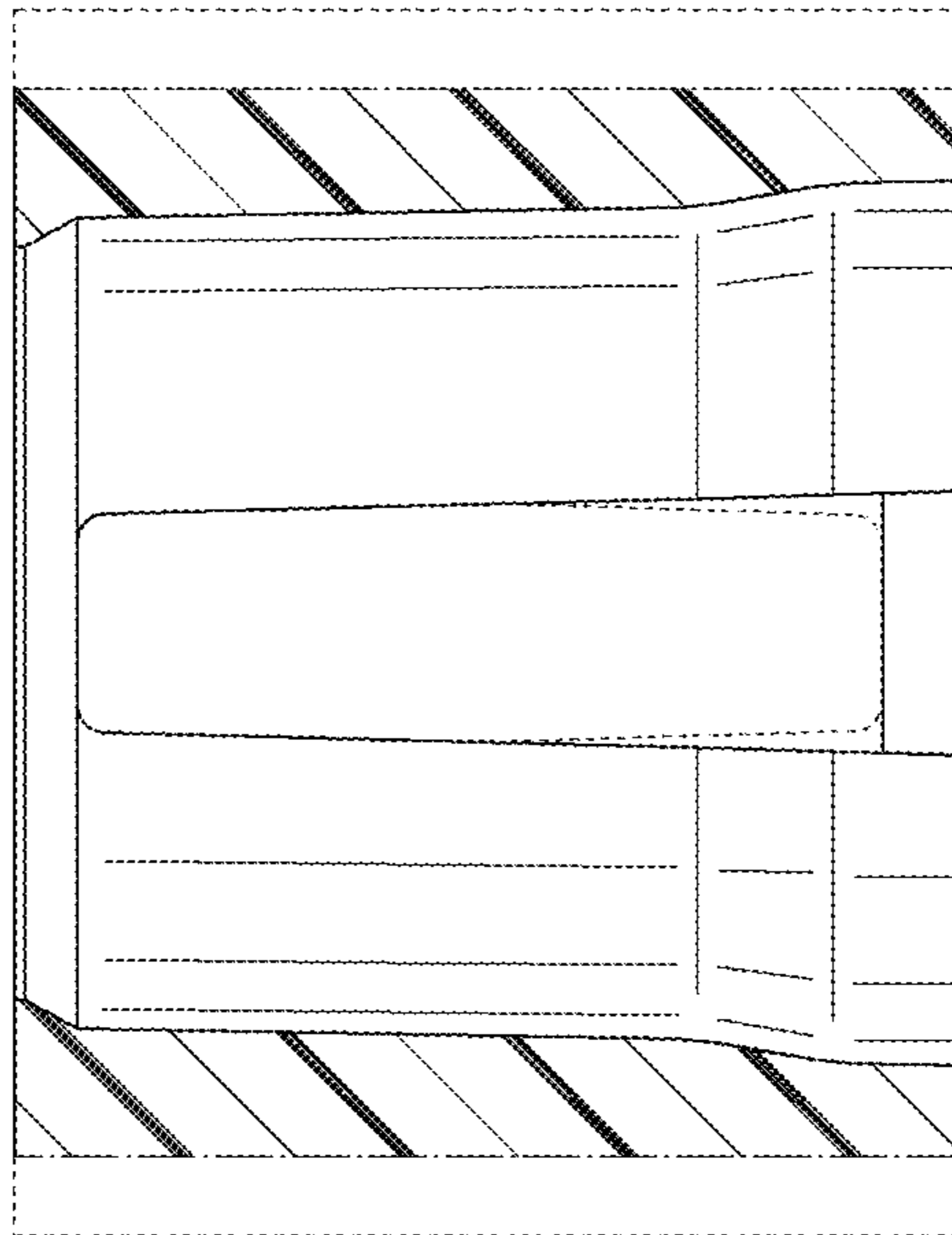


FIG. 25

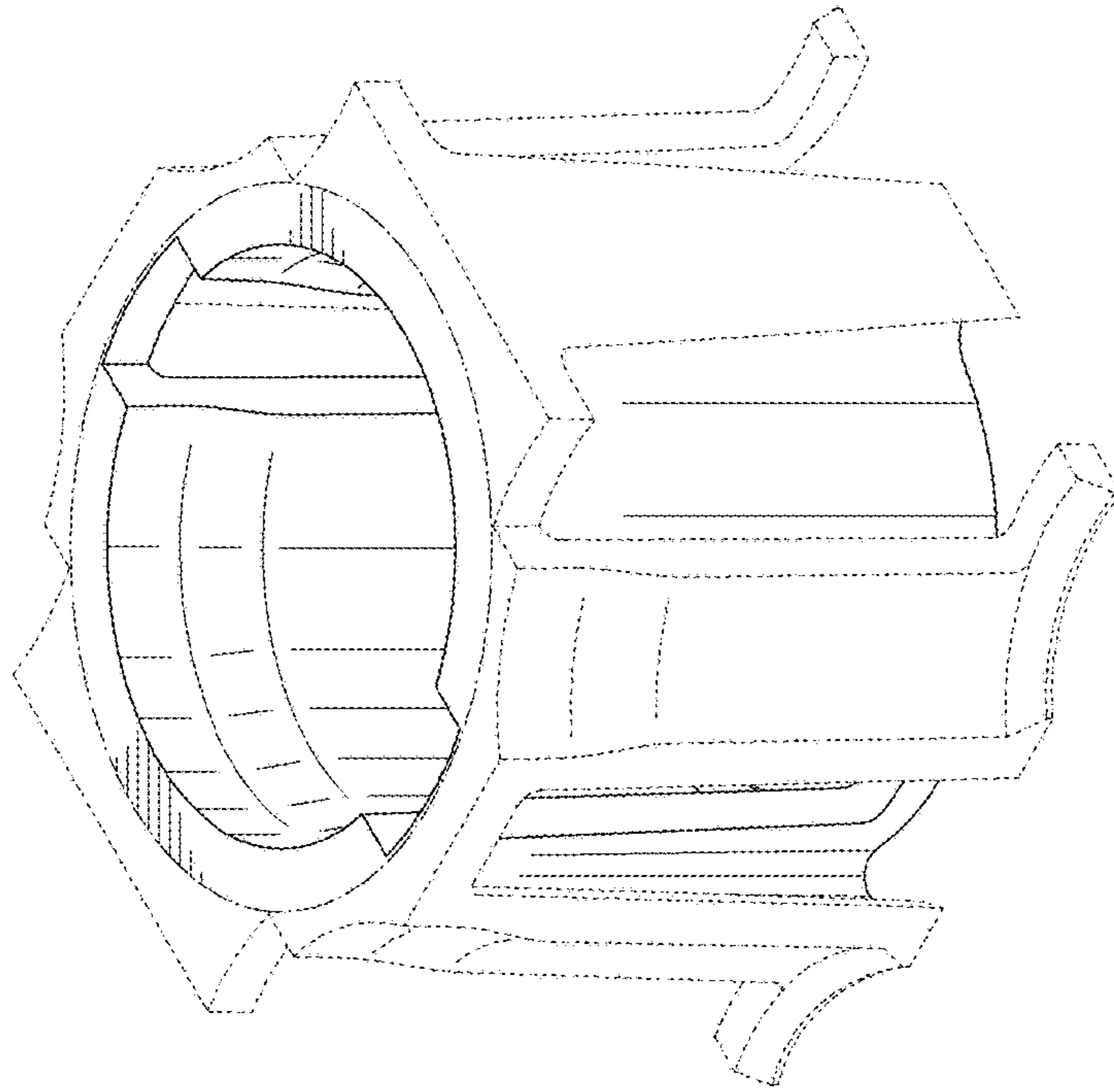


FIG. 26

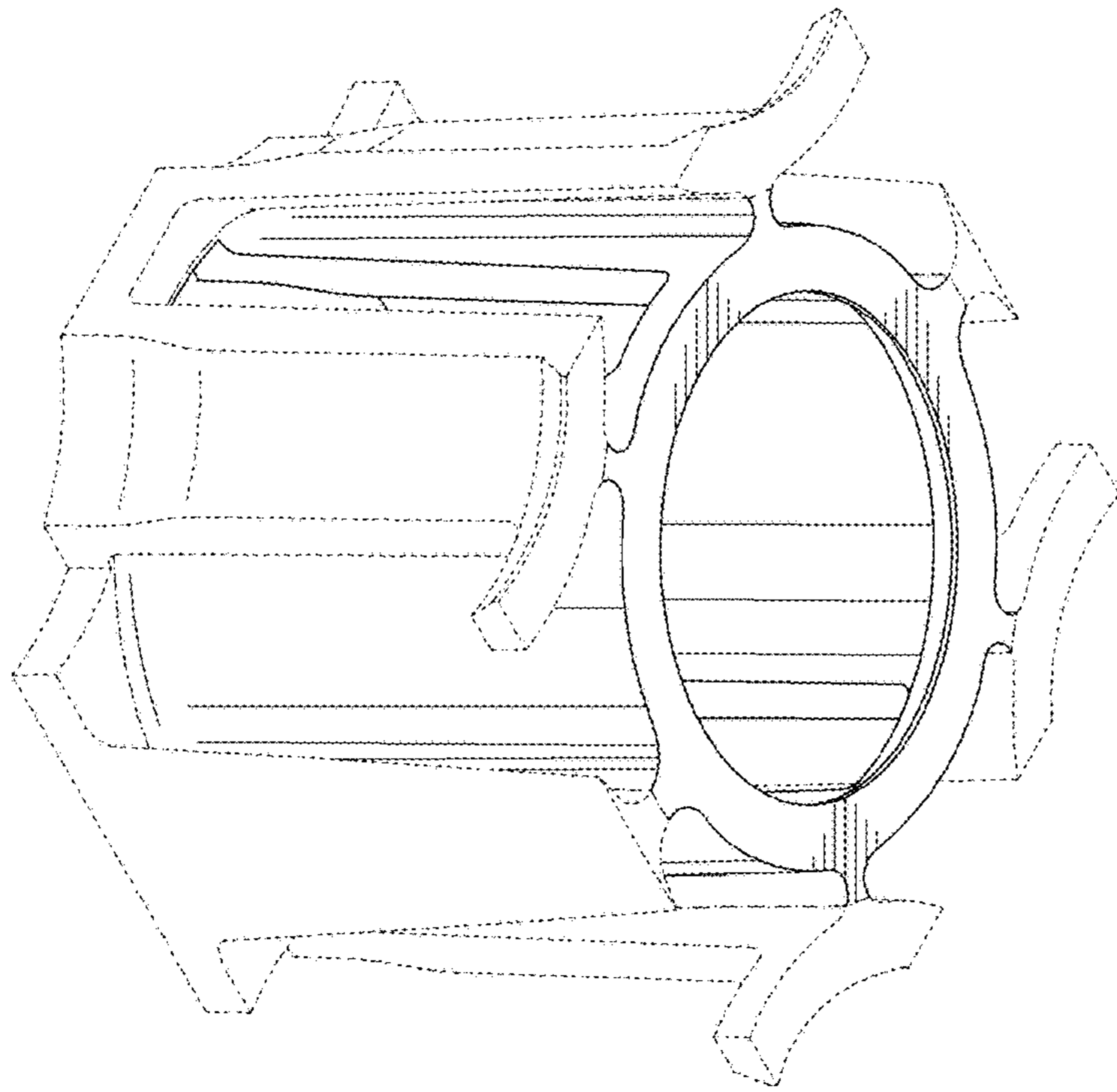


FIG. 27

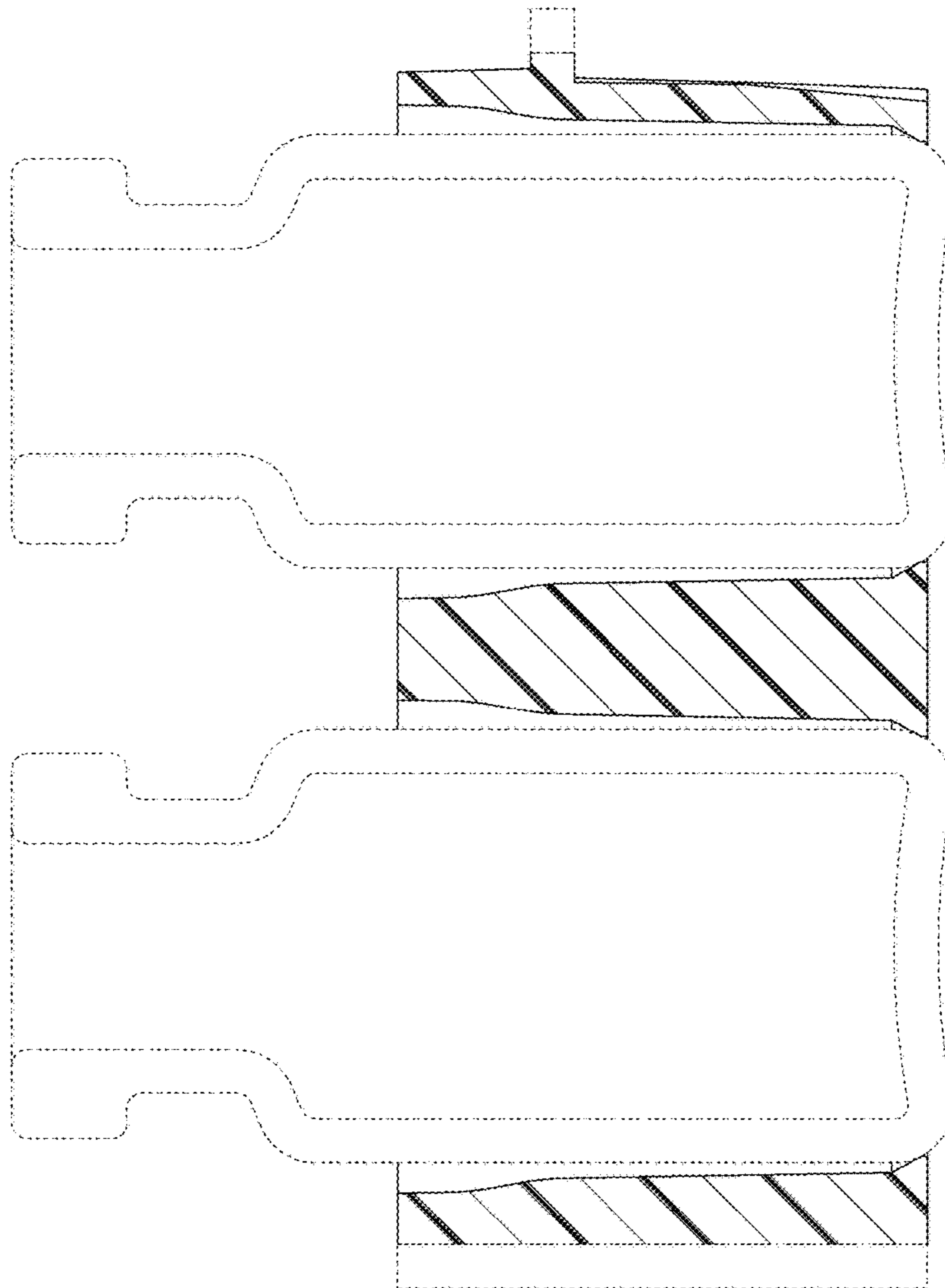


FIG. 28

