



US00D818129S

(12) **United States Design Patent**
Heine et al.

(10) **Patent No.:** **US D818,129 S**
(45) **Date of Patent:** **** May 15, 2018**

- (54) **SPHYGMOMANOMETER**
- (71) Applicant: **Heine Optotechnik GmbH & Co. KG**,
Herrsching (DE)
- (72) Inventors: **Oliver Heine**, Herrsching (DE); **Tobias Hager**, Vorderfischen (DE)
- (73) Assignee: **Heine Optotechnik GmbH & Co. KG**,
Herrsching (DE)

D741,497 S * 10/2015 Aber D24/167
 D745,167 S * 12/2015 Canas D24/167
 D752,229 S * 3/2016 Chen D24/165
 2008/0082004 A1 * 4/2008 Banet A61B 5/02028
 600/485

(**) Term: **15 Years**

(21) Appl. No.: **29/601,537**

(22) Filed: **Apr. 24, 2017**

(30) **Foreign Application Priority Data**

Nov. 10, 2016 (EM) 003456524-0002

(51) **LOC (11) Cl.** **24-02**

(52) **U.S. Cl.**
USPC **D24/165**

(58) **Field of Classification Search**
USPC D24/164–168, 186, 107; D10/75, 70, 78
CPC A61B 5/0402; A61B 5/0404; A61B 5/021;
A61B 5/024; A61B 5/02438; A61B
5/681; A61B 2560/0205; A61B
2560/0462

See application file for complete search history.

(56) **References Cited**

U.S. PATENT DOCUMENTS

D324,570 S * 3/1992 Arioka D10/78
 D550,844 S * 9/2007 Gutmann D24/165
 D569,521 S * 5/2008 Omaki D24/186
 D582,043 S * 12/2008 Koike D24/165
 D634,430 S * 3/2011 Osiecki D24/165

* cited by examiner

Primary Examiner — Anhdao Doan

(74) *Attorney, Agent, or Firm* — Bachman & LaPointe,
PC

(57) **CLAIM**

The ornamental design for a sphygmomanometer, as shown and described.

DESCRIPTION

FIG. 1 is an isometric projection from an upper right perspective of a sphygmomanometer according to the invention;

FIG. 2 is an isometric projection from a lower right perspective of the sphygmomanometer according to the invention;

FIG. 3 is a front view of the sphygmomanometer according to the invention;

FIG. 4 is a right side view of the sphygmomanometer according to the invention;

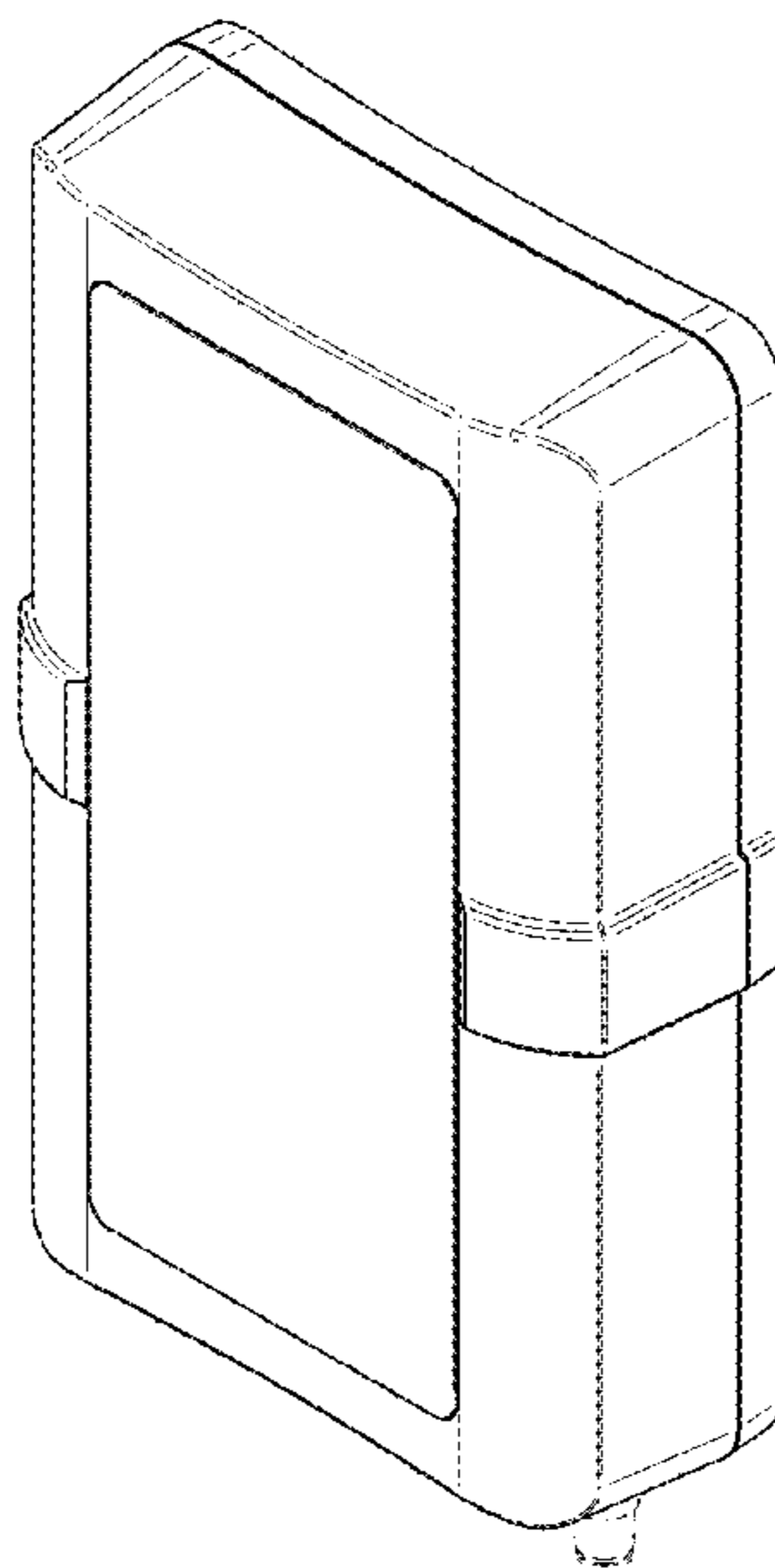
FIG. 5 is a left side view of the sphygmomanometer according to the invention;

FIG. 6 is a top view of the sphygmomanometer according to the invention; and,

FIG. 7 is a bottom view of the sphygmomanometer according to the invention.

The broken lines immediately adjacent the shaded areas represent the bounds of the claim, while all other broken lines are directed to environment and are for illustrative purposes only; the broken lines form no part of the claimed design.

1 Claim, 7 Drawing Sheets



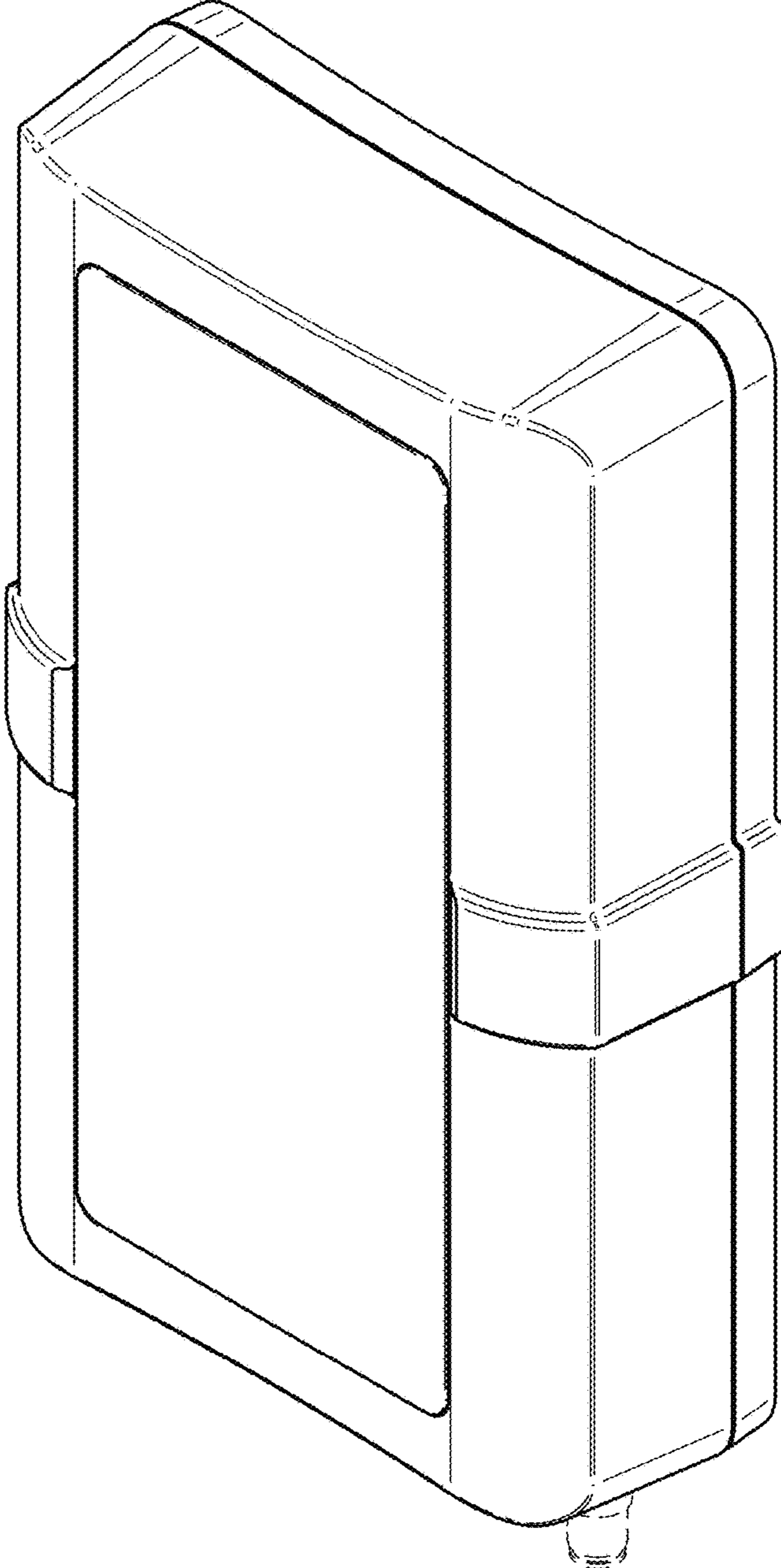


Fig. 1

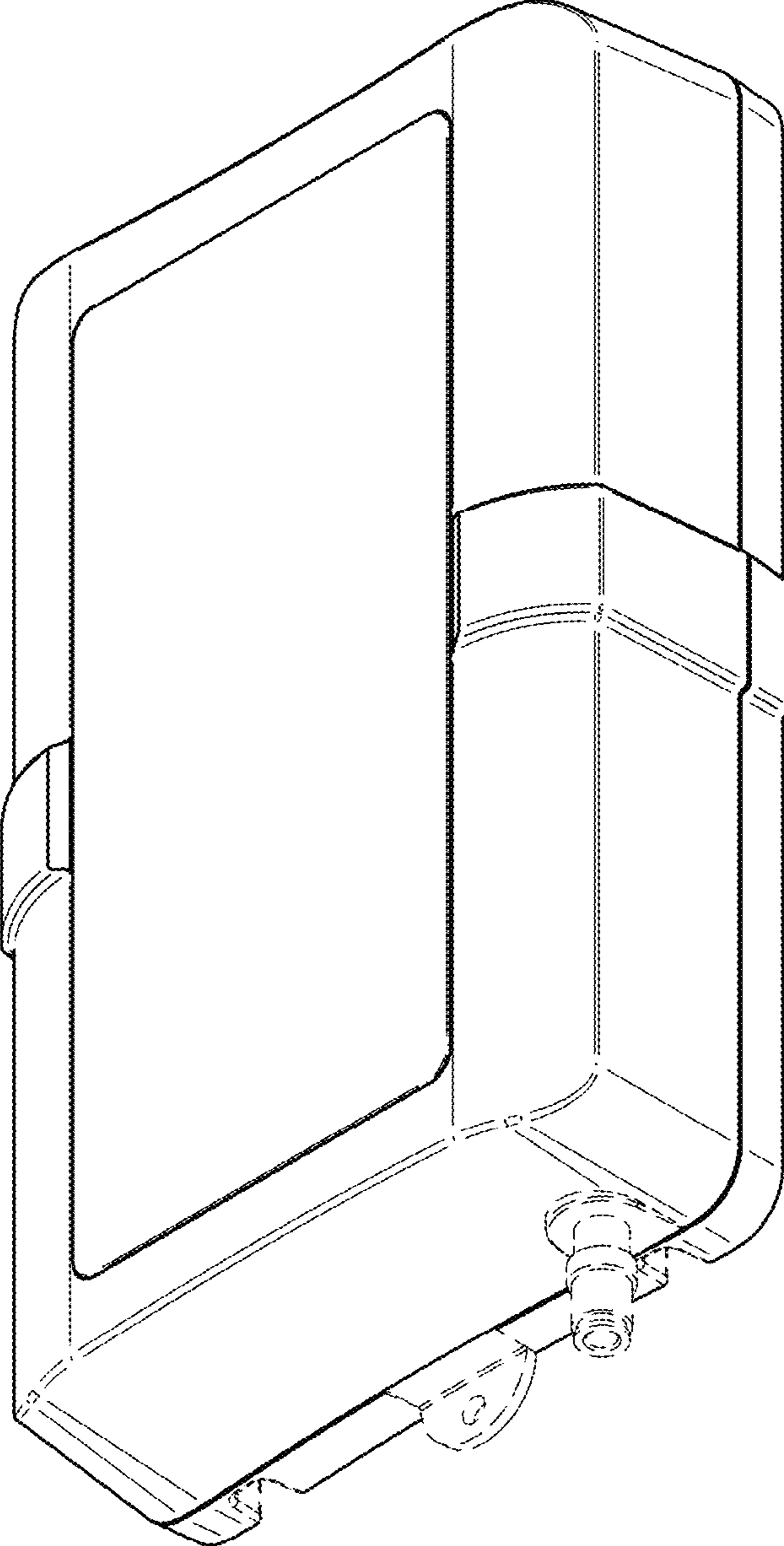


Fig. 2

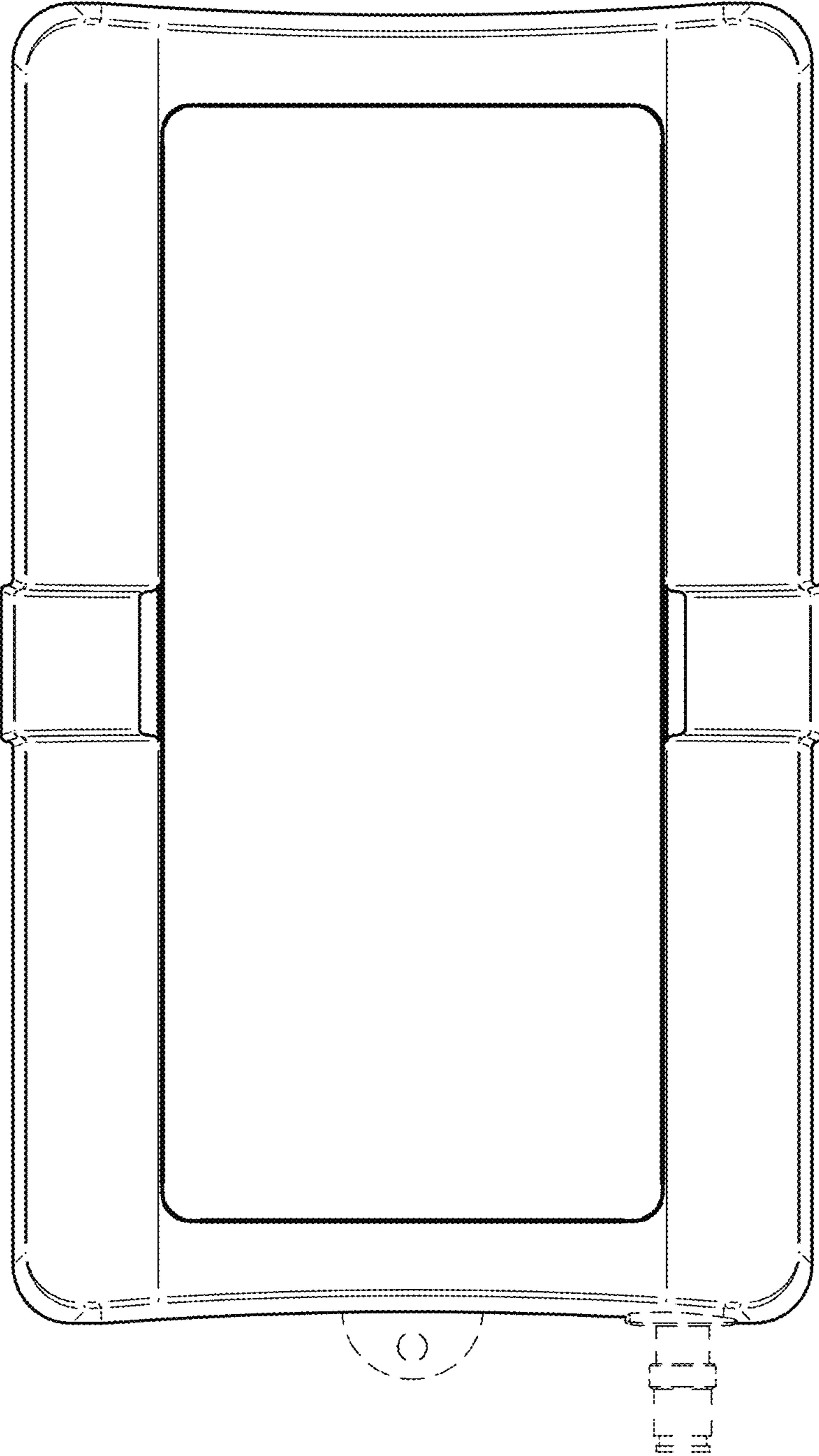


Fig. 3

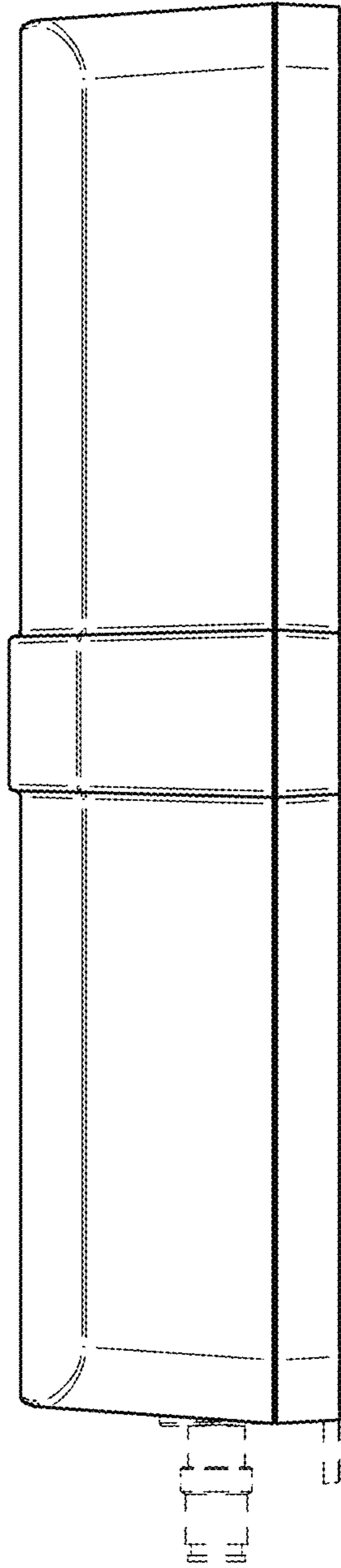


Fig. 4

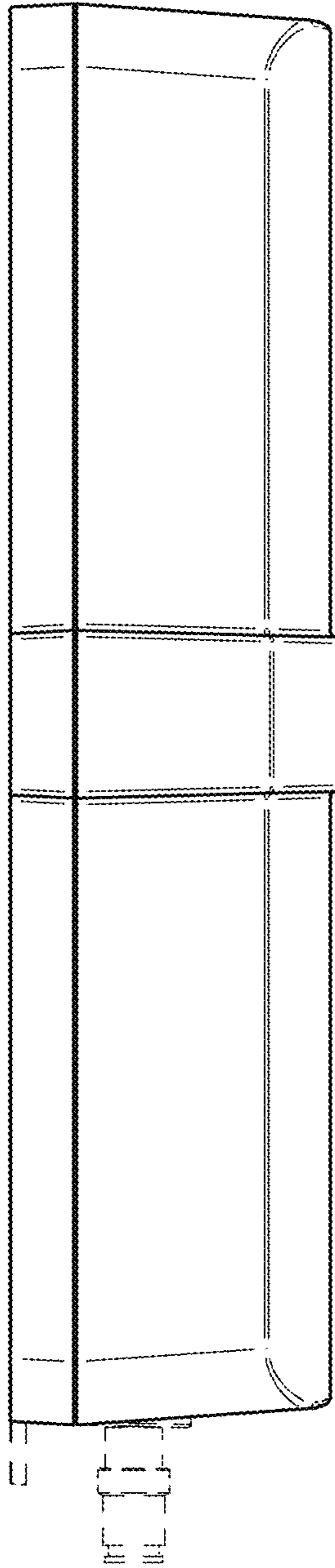


Fig. 5

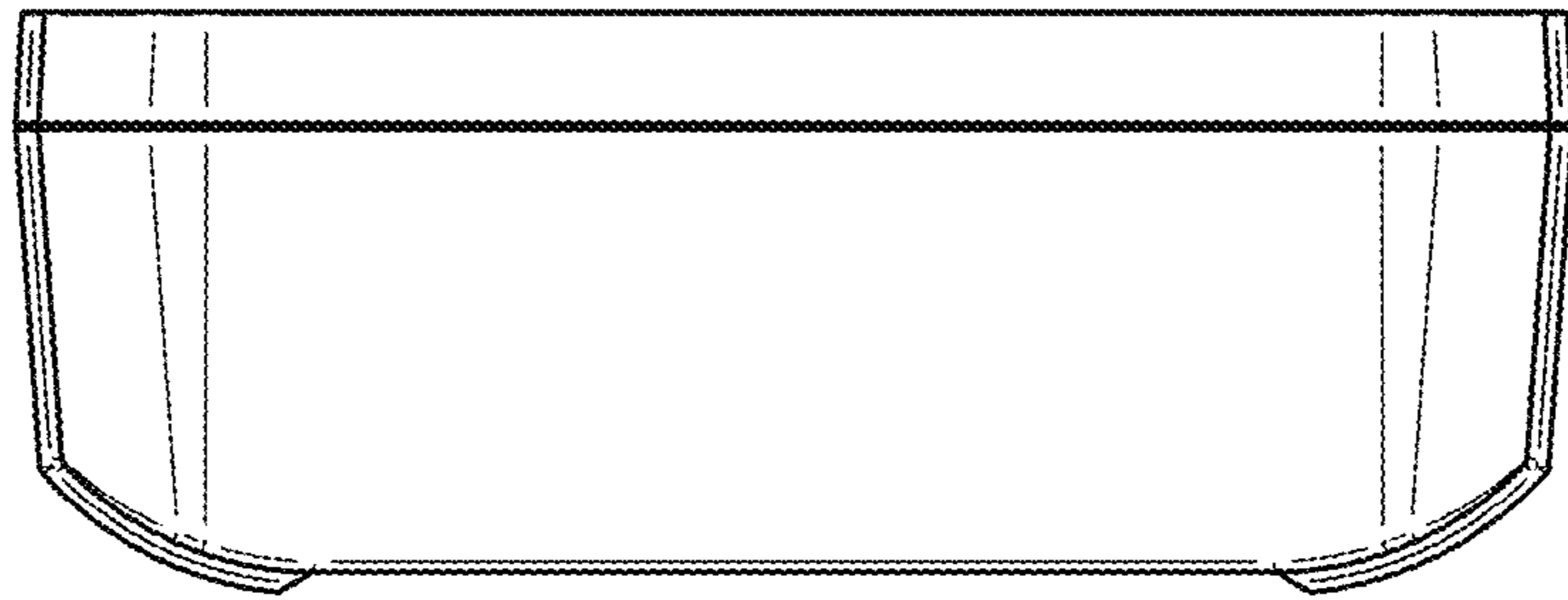


Fig. 6

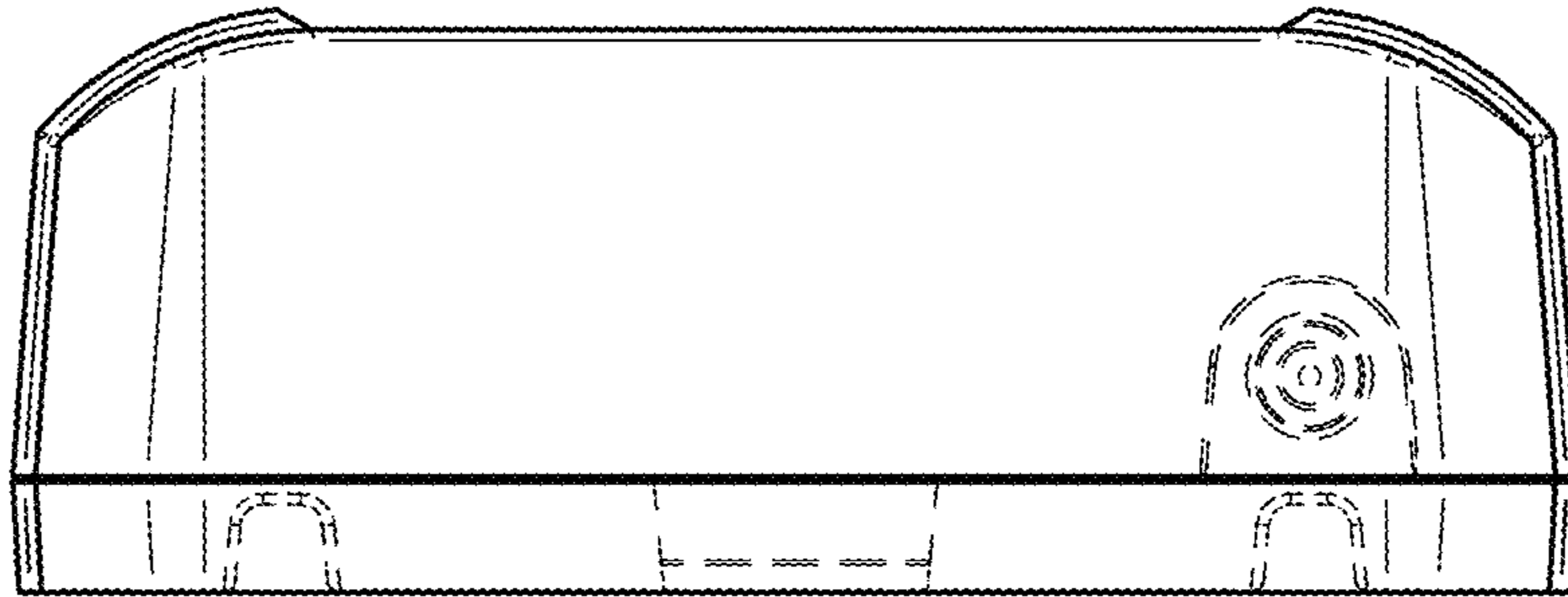


Fig. 7