



US00D818128S

(12) **United States Design Patent** (10) **Patent No.:** **US D818,128 S**
Wakabayashi et al. (45) **Date of Patent:** **** May 15, 2018**

(54) **INFANT INCUBATOR**
(71) Applicant: **ATOM MEDICAL CORPORATION**,
Bunkyo-ku, Tokyo (JP)
(72) Inventors: **Keisuke Wakabayashi**, Saitama (JP);
Kenji Kobayashi, Saitama (JP);
Masaaki Oohashi, Tokyo (JP); **Ichiro**
Matsubara, Tokyo (JP); **Terumi**
Matsubara, Tokyo (JP)
(73) Assignee: **ATOM MEDICAL CORPORATION**,
Tokyo (JP)

(**) Term: **15 Years**
(21) Appl. No.: **29/571,245**
(22) Filed: **Jul. 15, 2016**

(30) **Foreign Application Priority Data**
Jan. 19, 2016 (JP) 2016-000906
(51) **LOC (11) Cl.** **24-01**
(52) **U.S. Cl.**
USPC **D24/163**
(58) **Field of Classification Search**
USPC D24/163, 164, 185, 202, 209, 231;
D30/108, 117, 199; D10/50; 600/21, 22;
119/311; 128/202.12, 205.26
CPC A61G 11/00; A61G 11/002; A61G 11/005;
A61G 11/009
See application file for complete search history.

(56) **References Cited**
U.S. PATENT DOCUMENTS
D182,394 S * 4/1958 Adolphson D24/163
D604,416 S * 11/2009 Chilton, III A61G 11/00
D24/163
D722,381 S * 2/2015 Mareguddi D24/163

9,044,370 B2 * 6/2015 Matsubara A61G 11/00
2002/0019578 A1 * 2/2002 Honma A61G 11/00
600/22
2002/0147381 A1 * 10/2002 Kolarovic A61G 11/00
600/22
2010/0004502 A1 * 1/2010 Honma A61G 11/00
600/22
2010/0109347 A1 * 5/2010 Matsubara A61G 11/00
292/121
2012/0269568 A1 * 10/2012 Matsubara A61G 11/006
403/104
2013/0274543 A1 10/2013 Matsubara et al.
2013/0310634 A1 11/2013 Matsubara et al.
2013/0310635 A1 11/2013 Matsubara et al.
2013/0345494 A1 12/2013 Matsubara et al.
2016/0030616 A1 * 2/2016 Nariyuki A61G 11/00
600/22
2017/0128301 A1 * 5/2017 Wakabayashi A61G 11/005

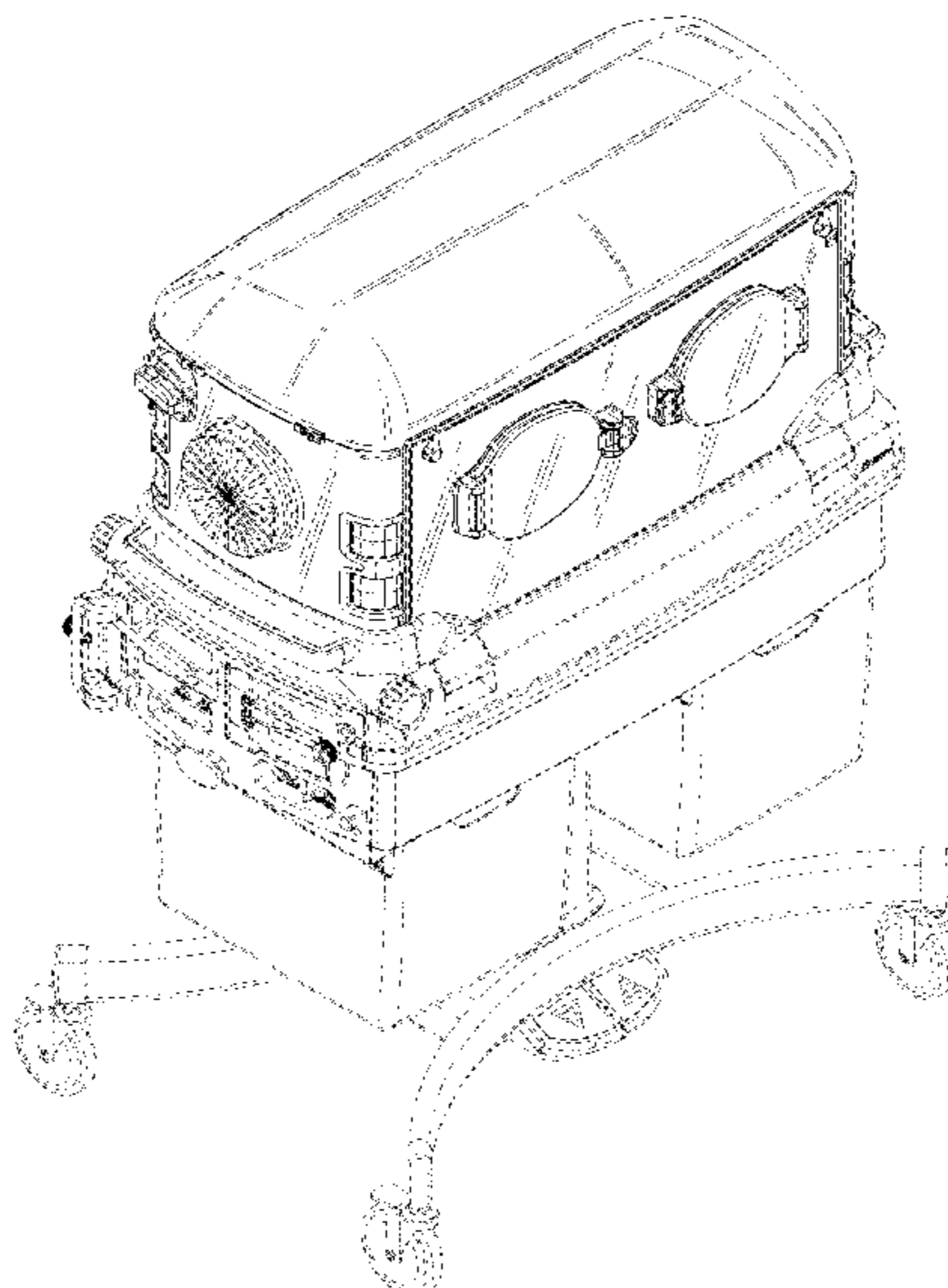
* cited by examiner

Primary Examiner — Anhdao Doan
Assistant Examiner — Mary Malley
(74) *Attorney, Agent, or Firm* — Brinks Gilson & Lione

(57) **CLAIM**
We claim the ornamental design for an infant incubator, as shown and described.

DESCRIPTION
FIG. 1 is a front and top perspective view of an infant incubator of the present invention;
FIG. 2 is a rear and top perspective view thereof;
FIG. 3 is a front view thereof;
FIG. 4 is a rear view thereof;
FIG. 5 is a first side view thereof;
FIG. 6 is a second side view thereof;
FIG. 7 is a top view thereof; and,
FIG. 8 is a bottom view thereof.
The broken lines show portions of the infant incubator that form no part of the claimed design.

1 Claim, 7 Drawing Sheets



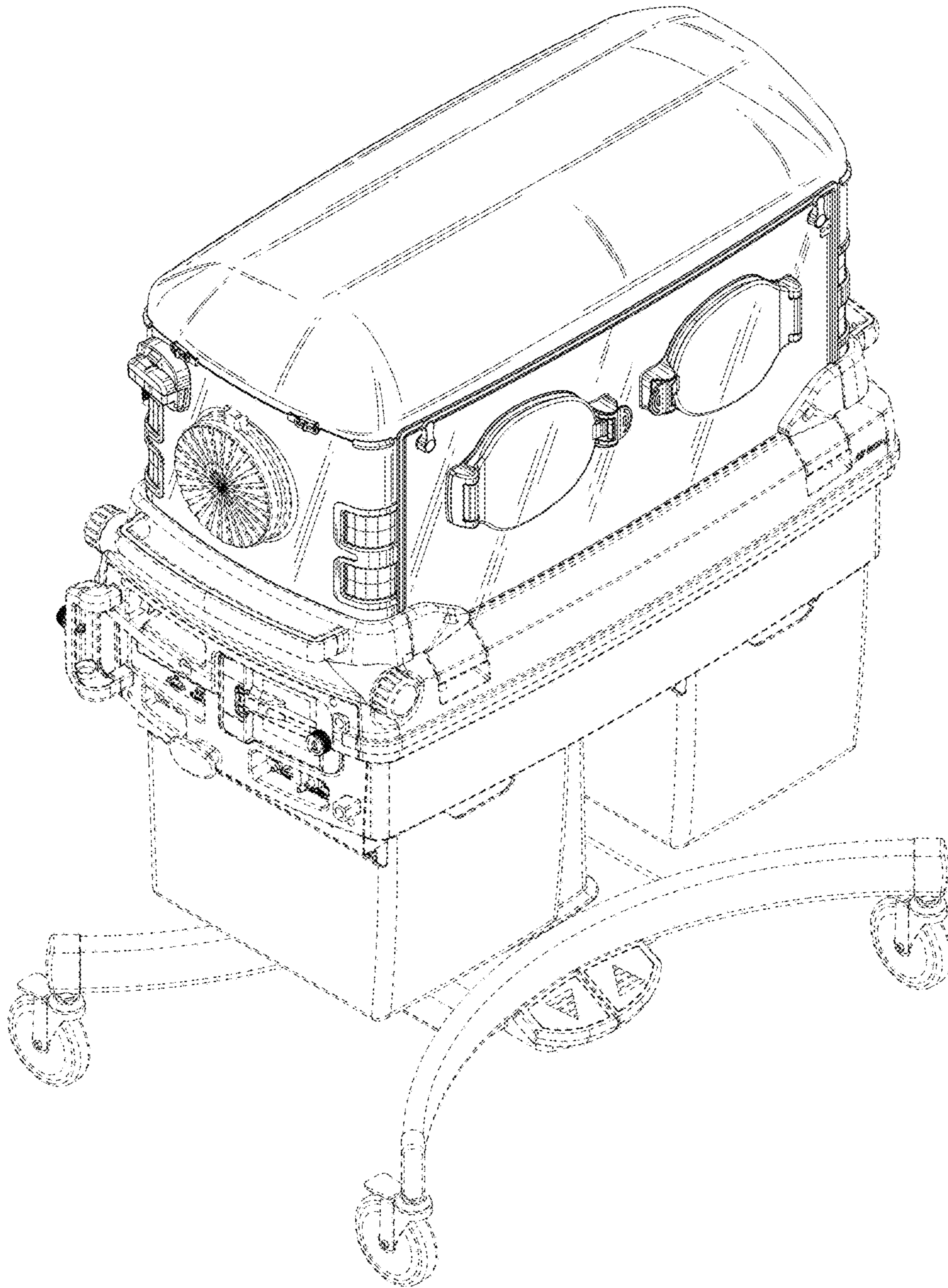


FIG. 1

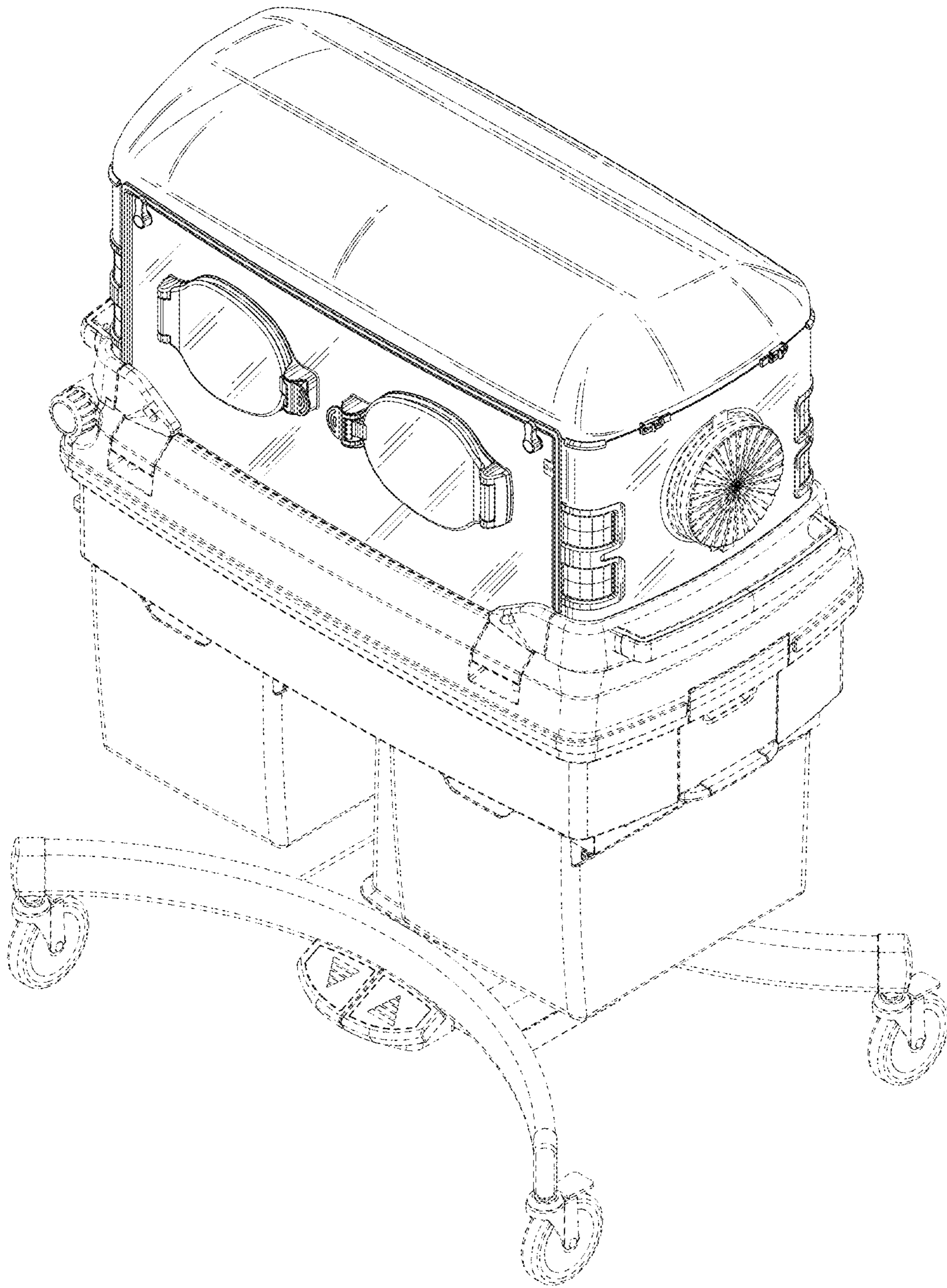


FIG. 2

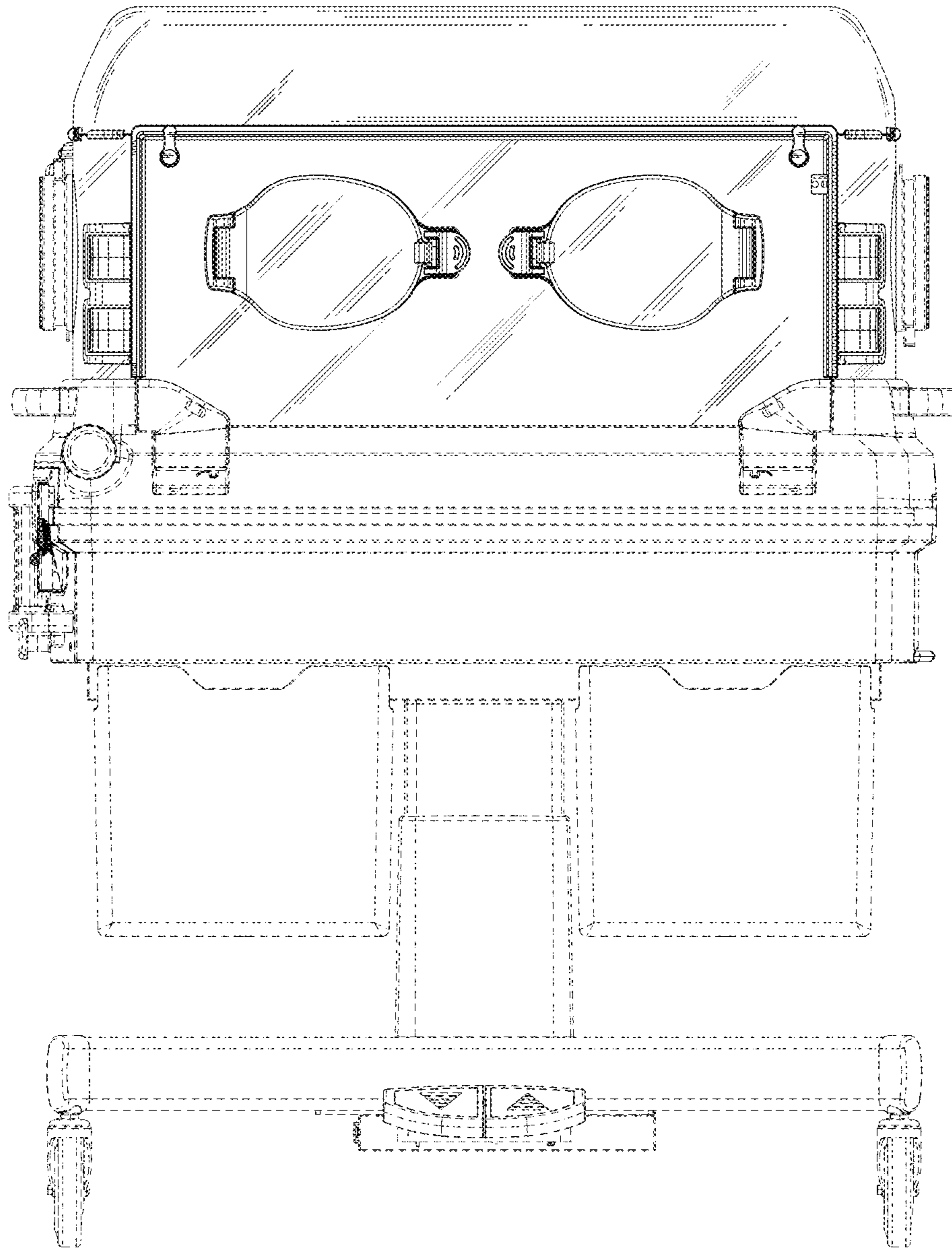


FIG. 3

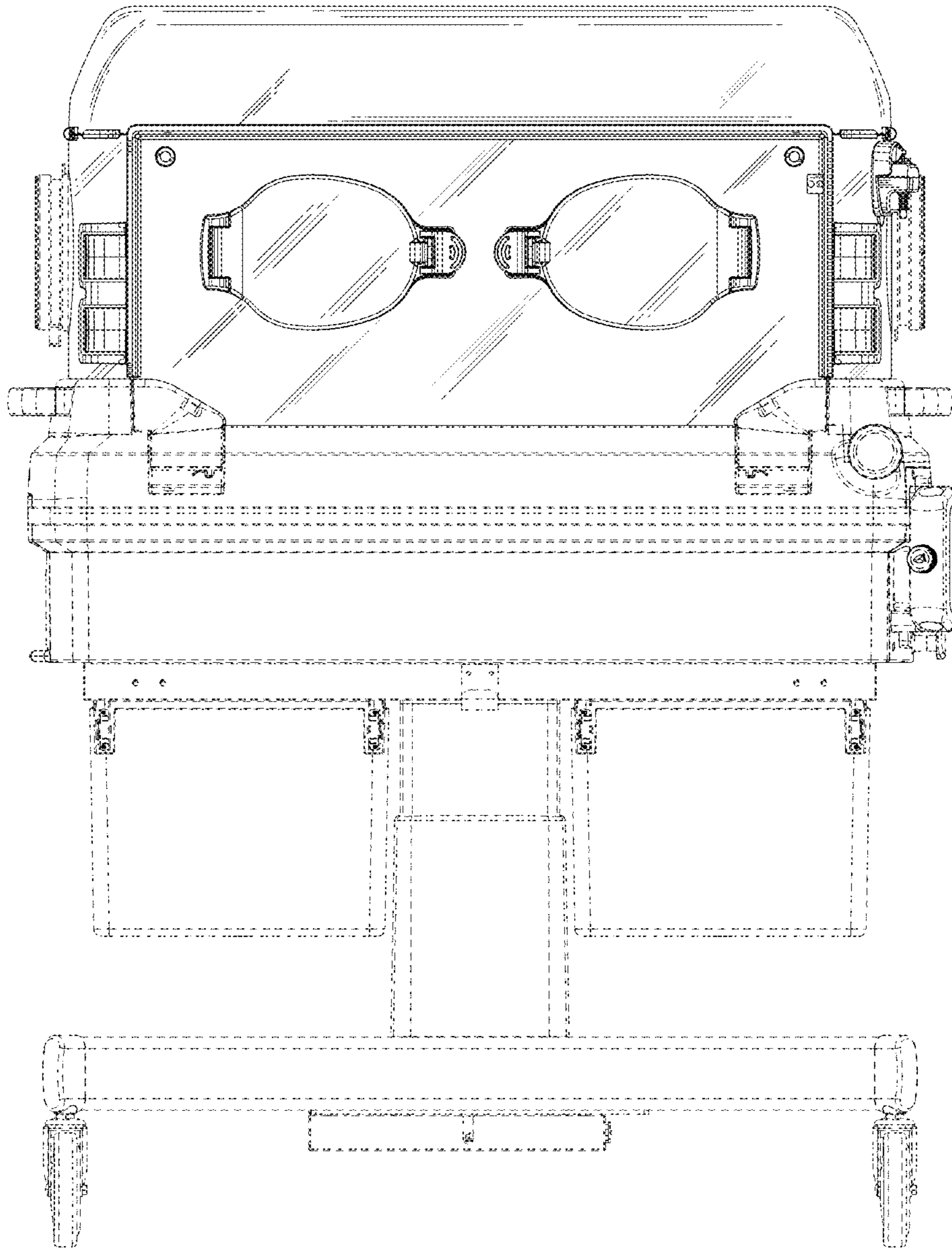


FIG. 4

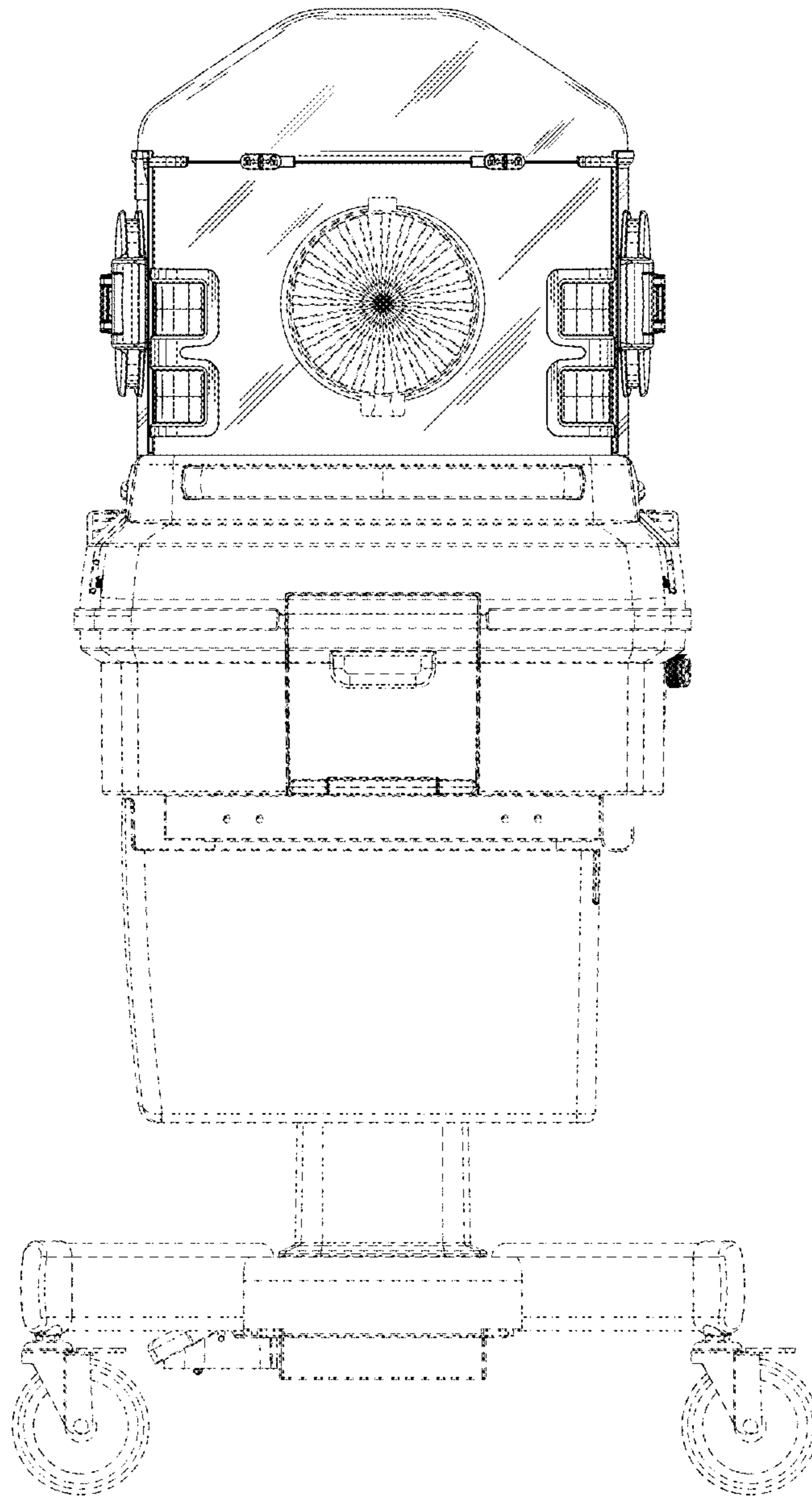


FIG. 5

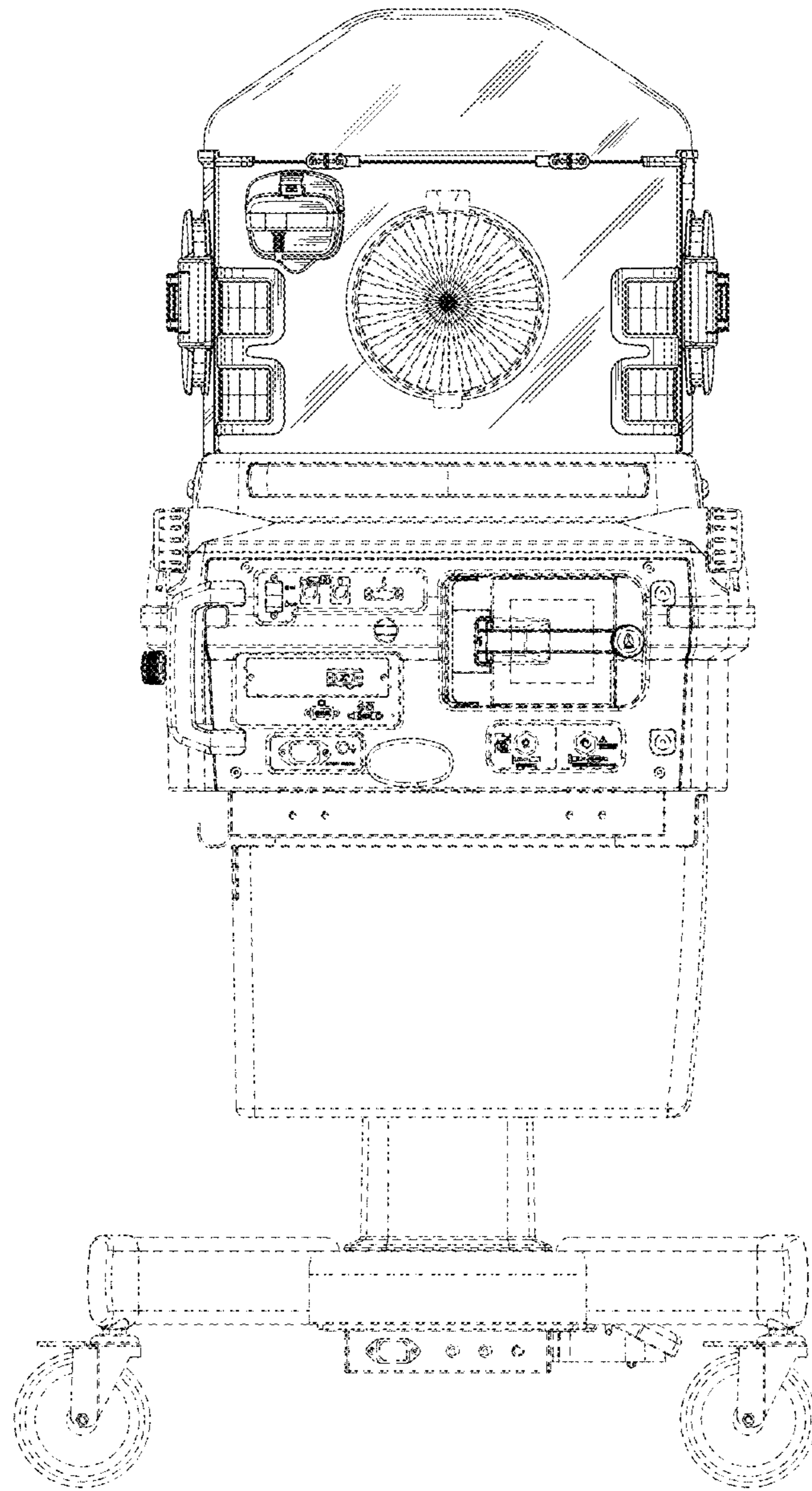


FIG. 6

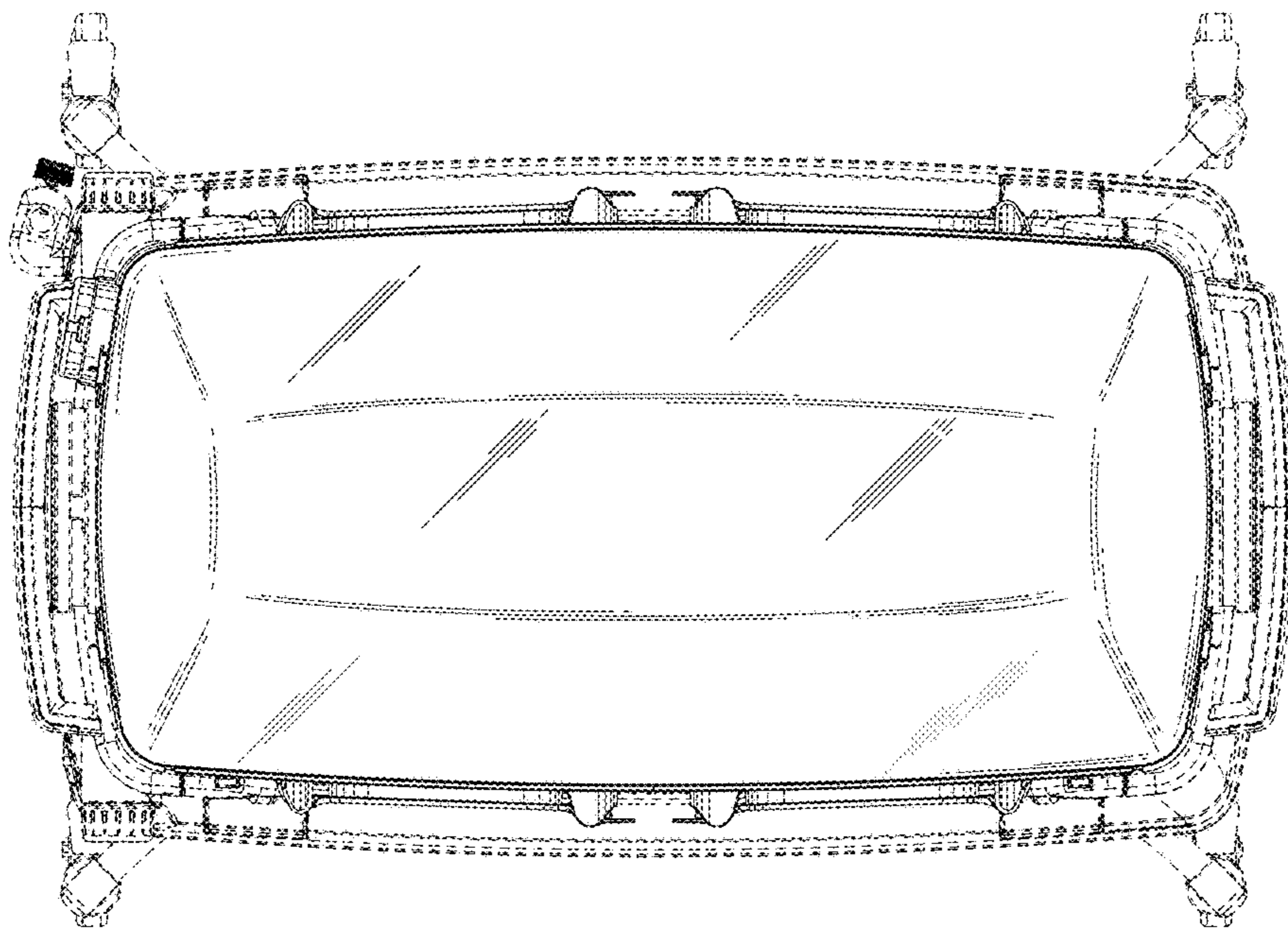


FIG. 7

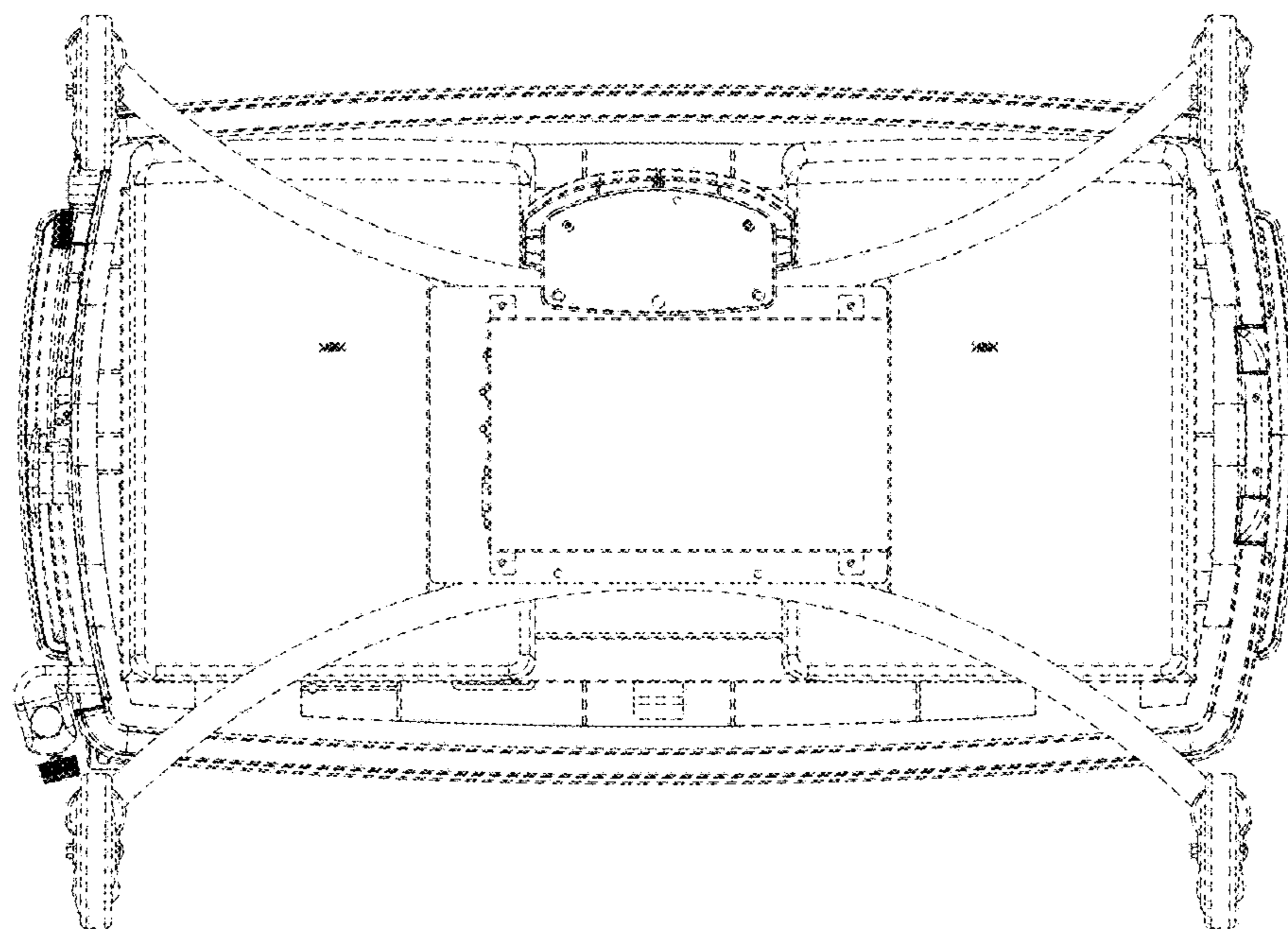


FIG. 8