



US00D818126S

(12) **United States Design Patent** (10) **Patent No.:** **US D818,126 S**
Personnelli (45) **Date of Patent:** **** May 15, 2018**

(54) **MAGNETIC RESONANCE IMAGING DEVICE**

2015/0320376 A1* 11/2015 Oishi A61B 6/4405
378/199
2016/0287347 A1* 10/2016 Meier A61B 6/08

(71) Applicant: **General Electric Company,**
Schenectady, NY (US)

* cited by examiner

(72) Inventor: **Regis Gerard Personnelli,** Buc (FR)

Primary Examiner — Anhdao Doan

(73) Assignee: **General Electric Company,**
Schenectady, NY (US)

(74) *Attorney, Agent, or Firm* — McCoy Russell LLP

(**) Term: **15 Years**

(57) **CLAIM**

The ornamental design for a magnetic resonance imaging device, as shown and described.

(21) Appl. No.: **29/585,477**

DESCRIPTION

(22) Filed: **Nov. 23, 2016**

FIG. 1 is a front left perspective view of a design for a magnetic resonance imaging device according to an embodiment of the present invention.

(51) **LOC (11) Cl.** **24-01**

FIG. 2 is a front right perspective view of the magnetic resonance imaging device of FIG. 1.

(52) **U.S. Cl.**

USPC **D24/158**

FIG. 3 is a front view of the magnetic resonance imaging device of FIG. 1.

(58) **Field of Classification Search**

USPC D24/107, 158–161, 185, 186, 187, 231
CPC .. A61B 6/03; A61B 6/035; A61B 5/05; A61B 5/055

FIG. 4 is a left side view of the magnetic resonance imaging device of FIG. 1.

See application file for complete search history.

FIG. 5 is a right side view of the magnetic resonance imaging device of FIG. 1.

(56) **References Cited**

U.S. PATENT DOCUMENTS

4,707,607	A *	11/1987	Whetten	H01J 47/02
					250/374
D703,321	S *	4/2014	Wodecki	D24/158
D706,424	S *	6/2014	Banryu	D24/158
D715,945	S *	10/2014	Zhang	D24/159
D738,505	S *	9/2015	Eberler	D24/158
D758,587	S *	6/2016	Eberler	D24/158
D766,441	S *	9/2016	Liu	D24/159
D779,070	S *	2/2017	Graziani	D24/158
2010/0020918	A1 *	1/2010	Popescu	A61B 6/035
					378/4
2010/0080338	A1 *	4/2010	Fukushima	A61B 6/032
					378/4
2010/0177867	A1 *	7/2010	Kozelj	A61B 6/035
					378/20

FIG. 6 is a back view of the magnetic resonance imaging device of FIG. 1.

FIG. 7 is a top view of the magnetic resonance imaging device of FIG. 1;

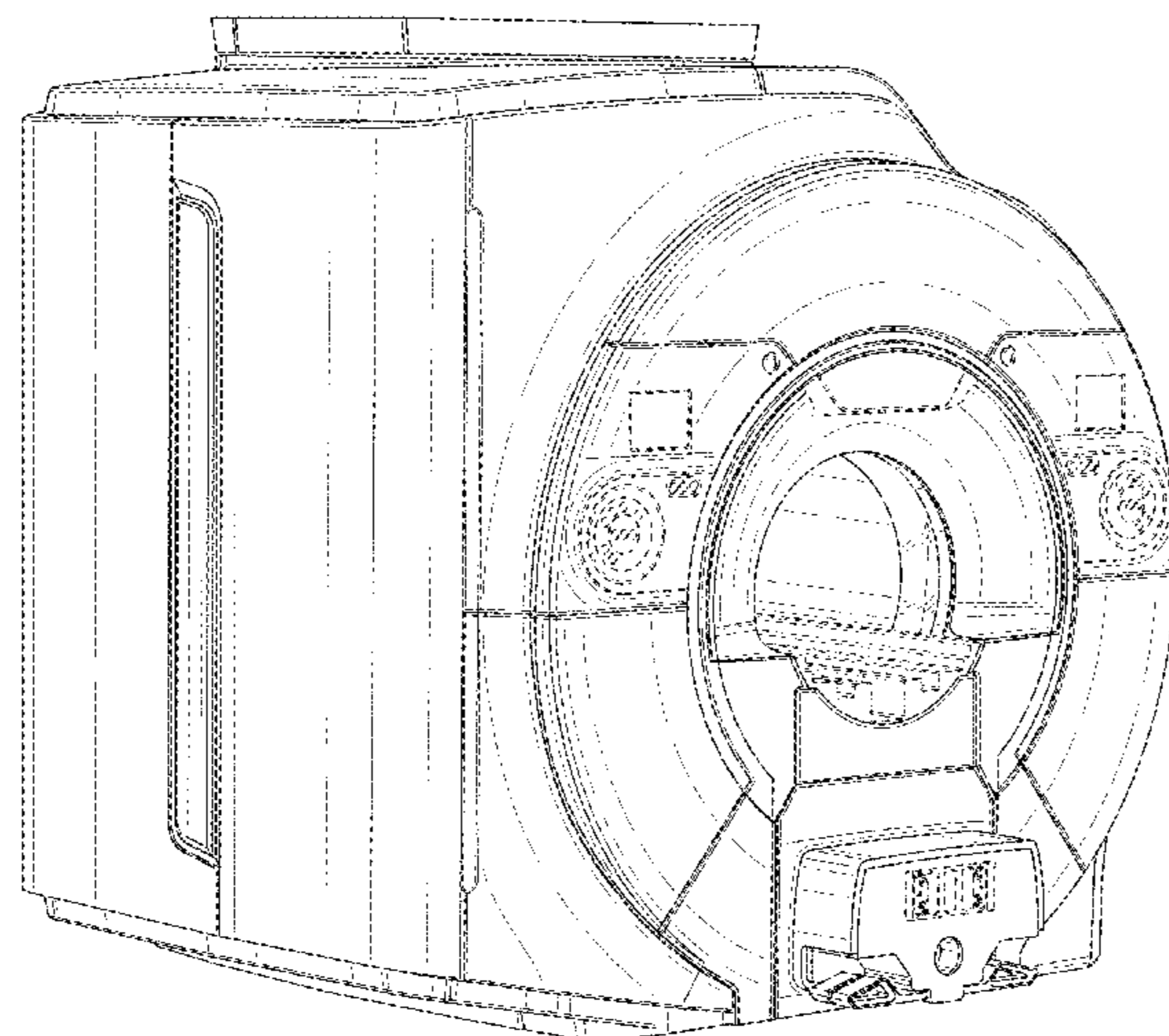
FIG. 8 is a bottom view of the magnetic resonance imaging device of FIG. 1.

FIG. 9 is a back right perspective view of the magnetic resonance imaging device of FIG. 1; and,

FIG. 10 is a back left perspective view of the magnetic resonance imaging device of FIG. 1.

The broken lines immediately adjacent the shaded areas represent the bounds of the claim, while all other broken lines are directed to environment and are for illustrative purposes only. The broken lines form no part of the claimed design.

1 Claim, 10 Drawing Sheets



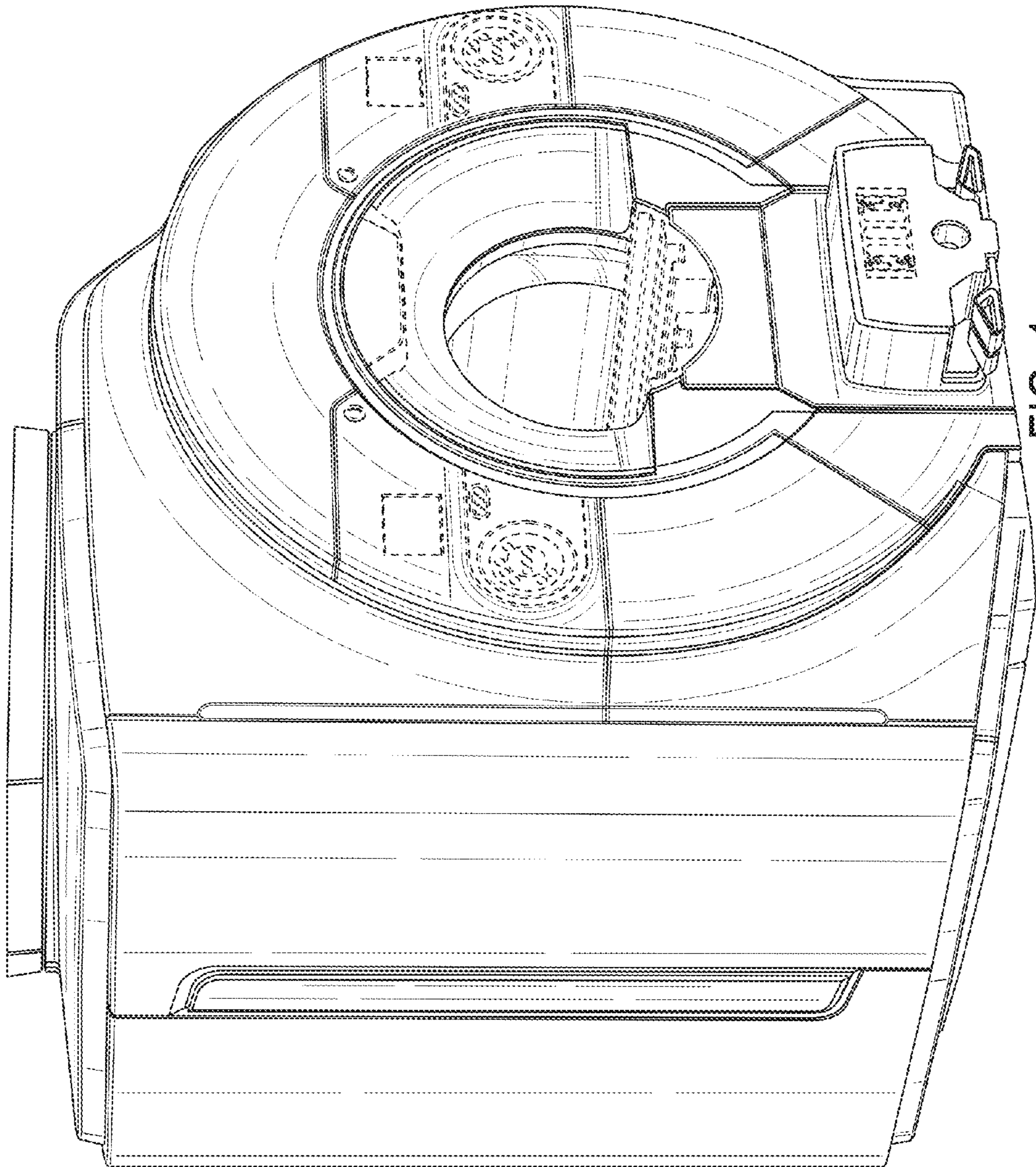


FIG. 1

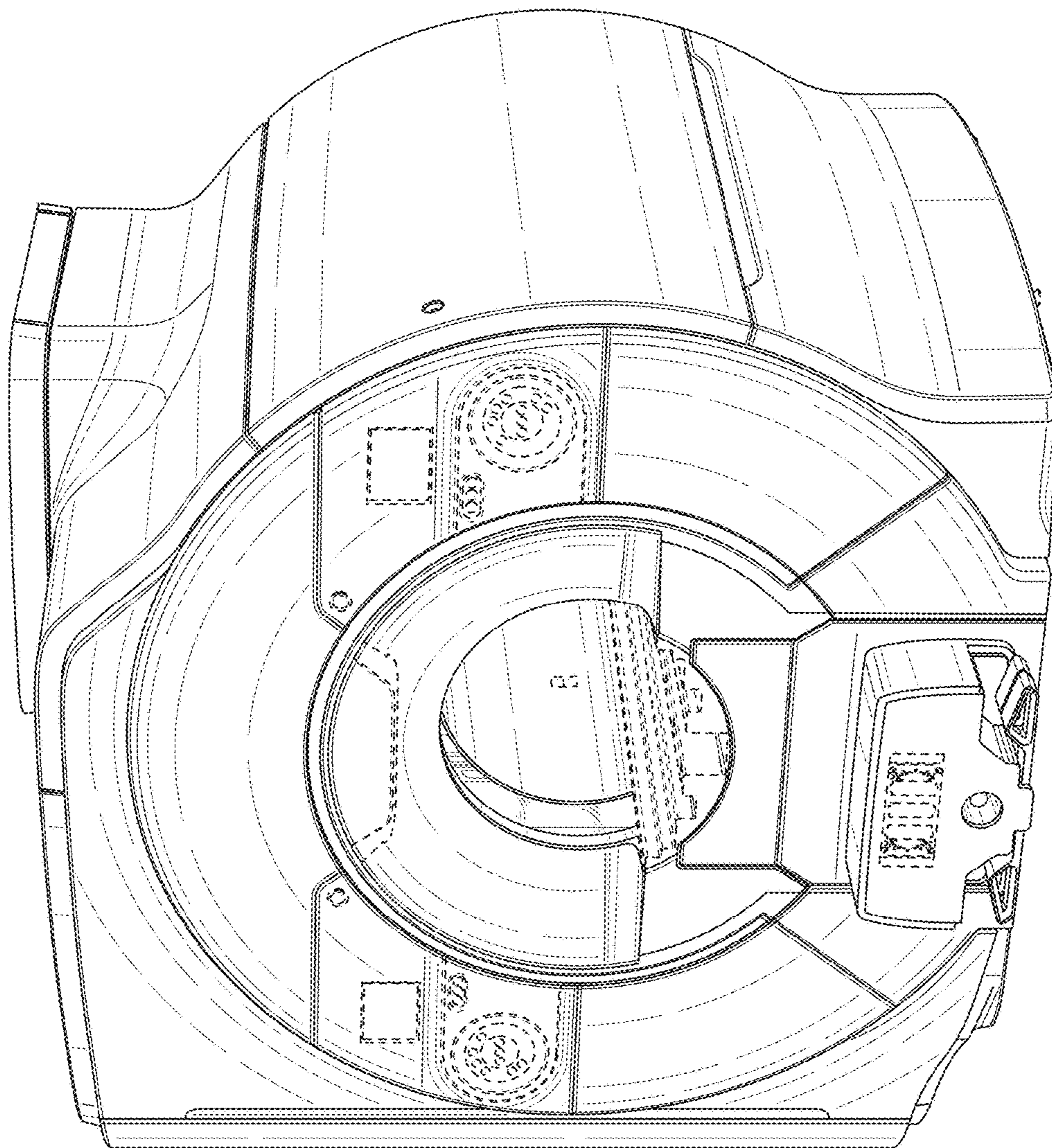


FIG. 2

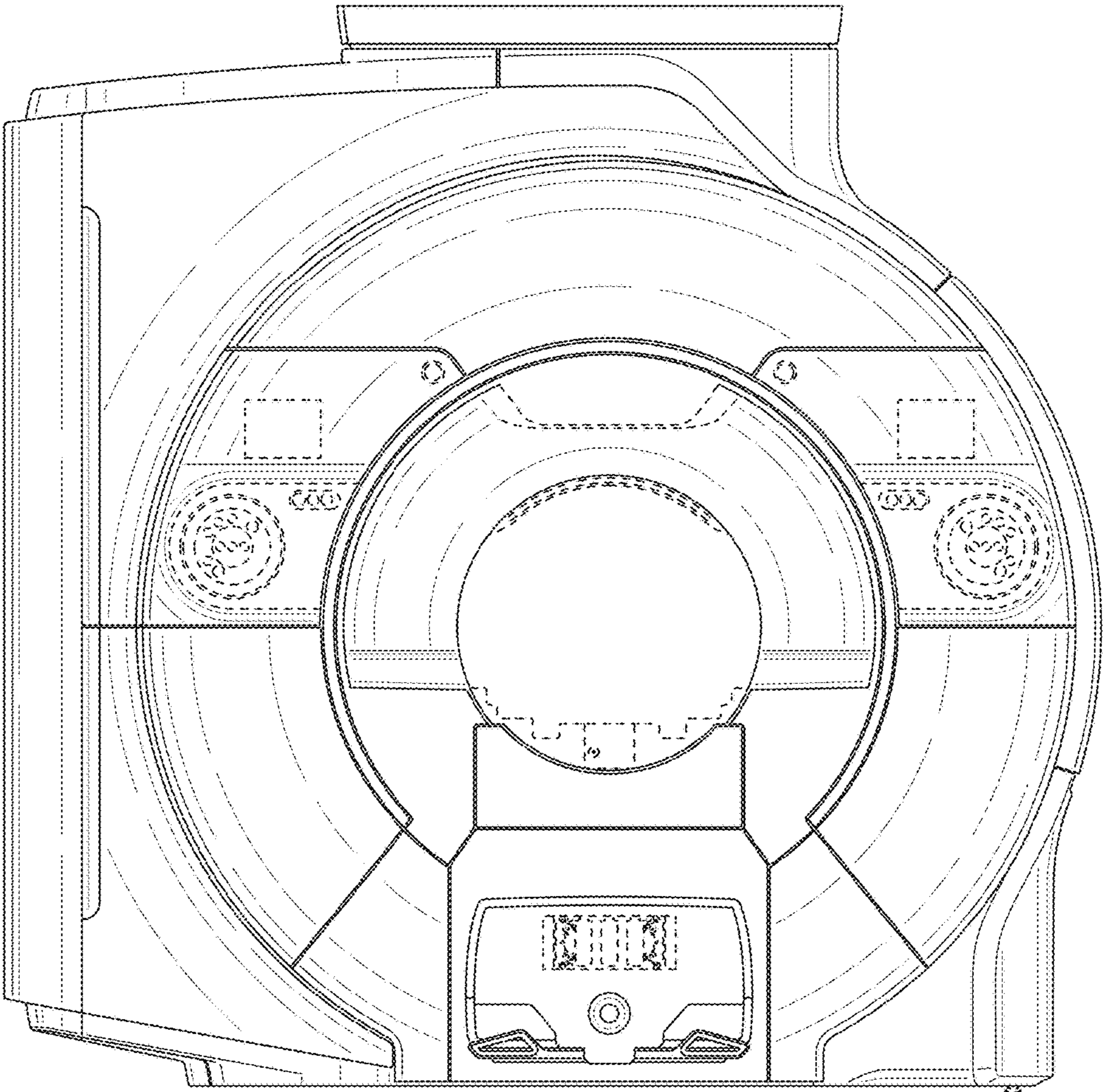


FIG. 3

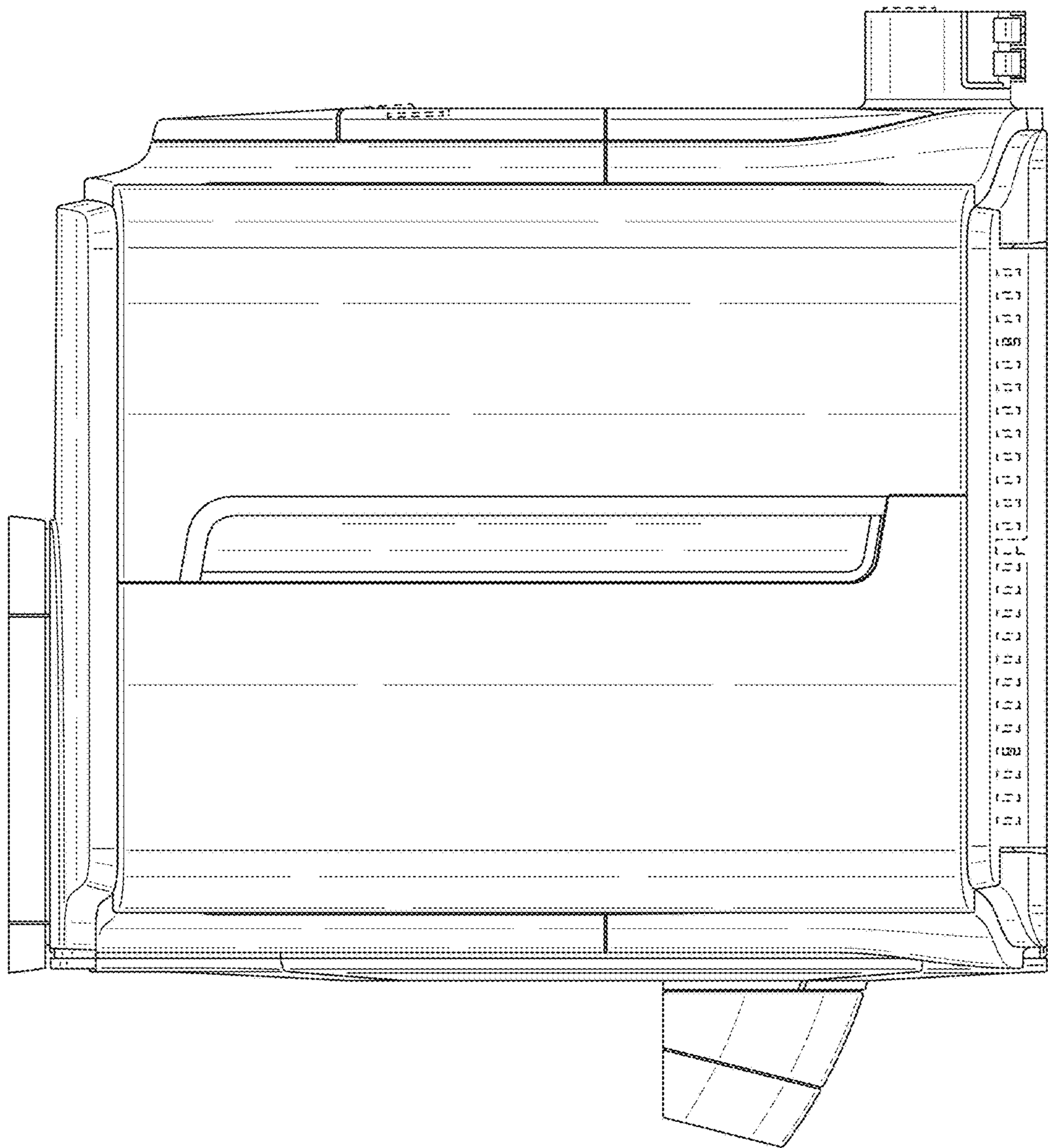


FIG. 4

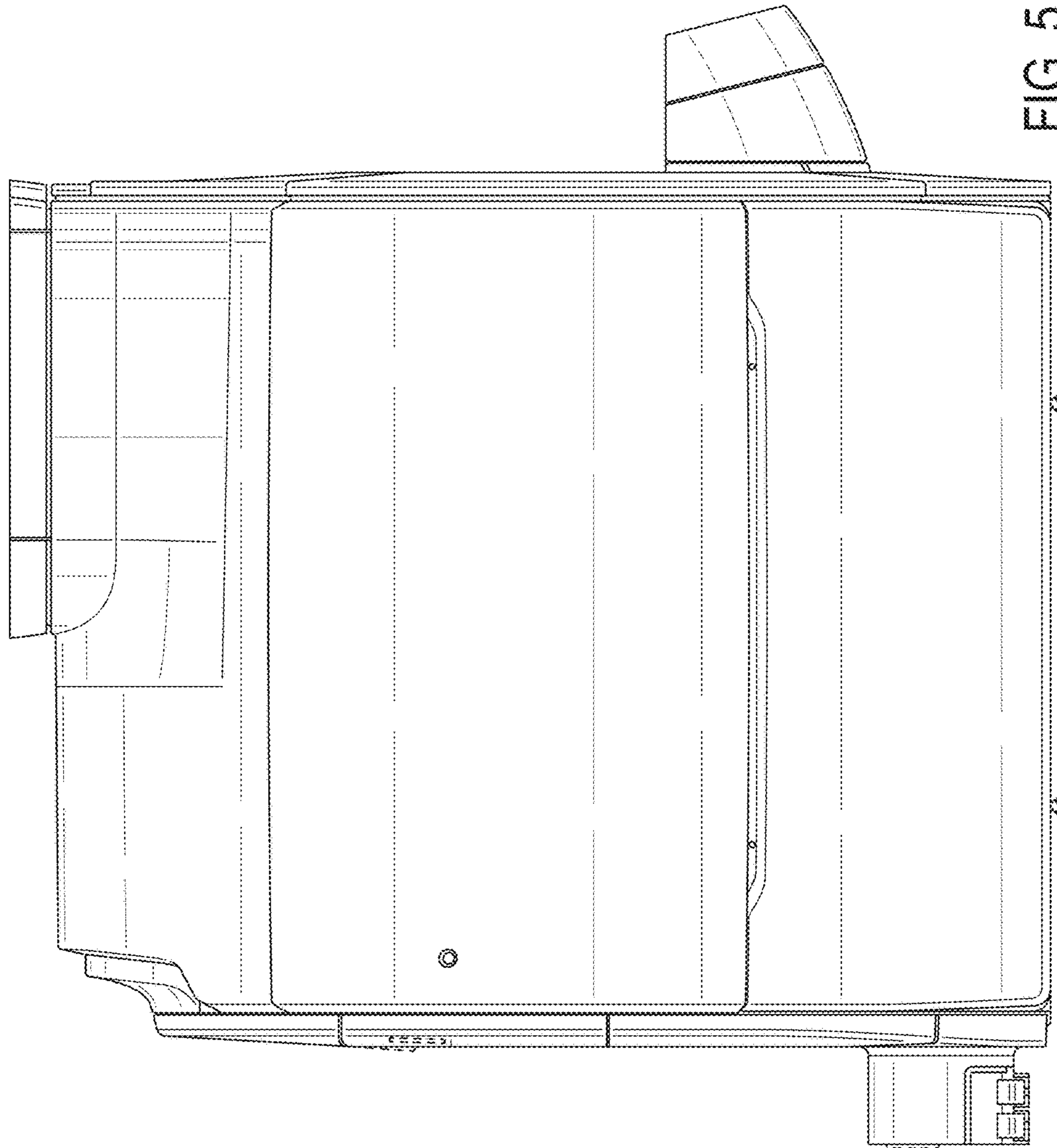


FIG. 5

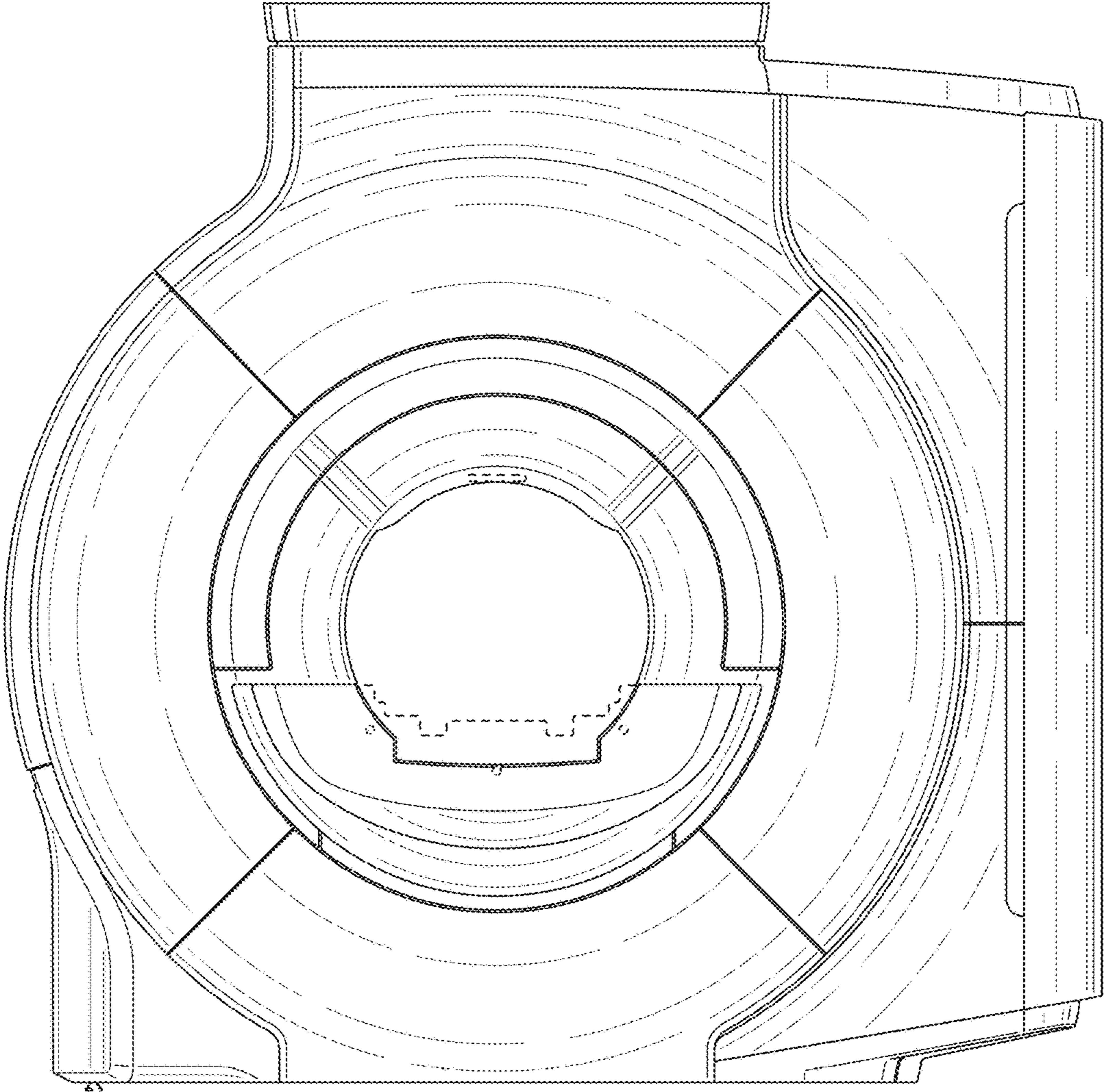


FIG. 6

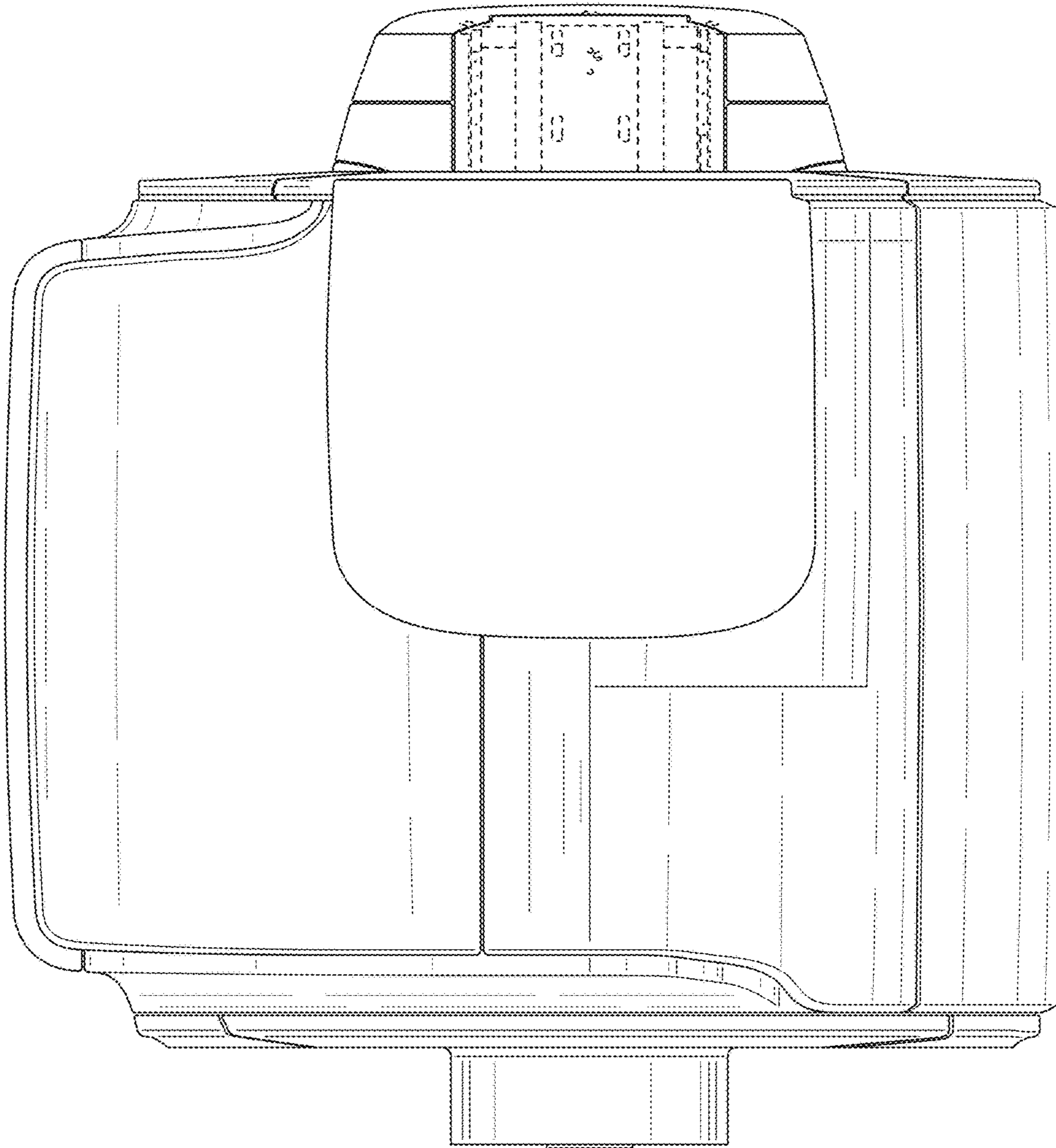


FIG. 7

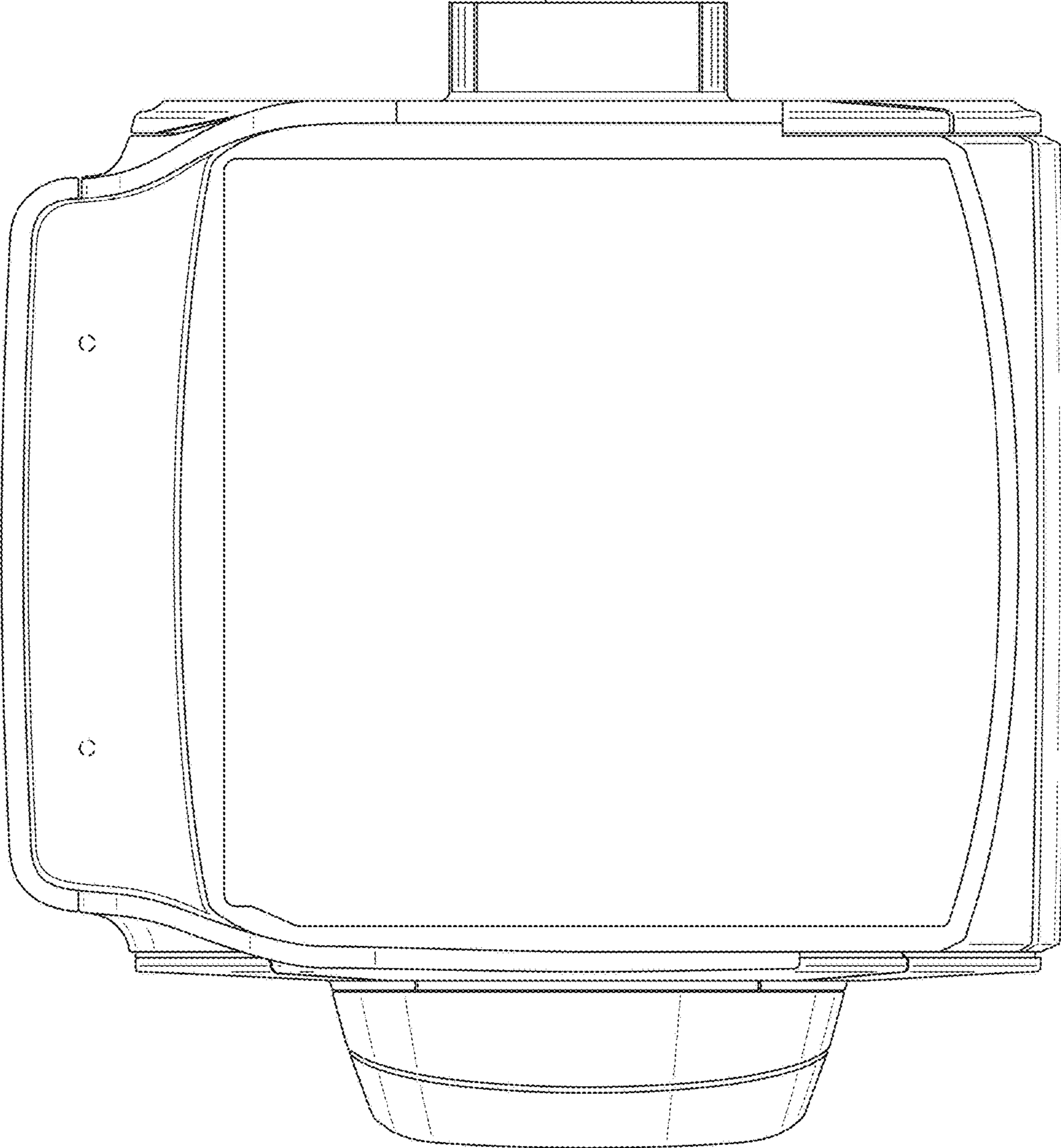


FIG. 8

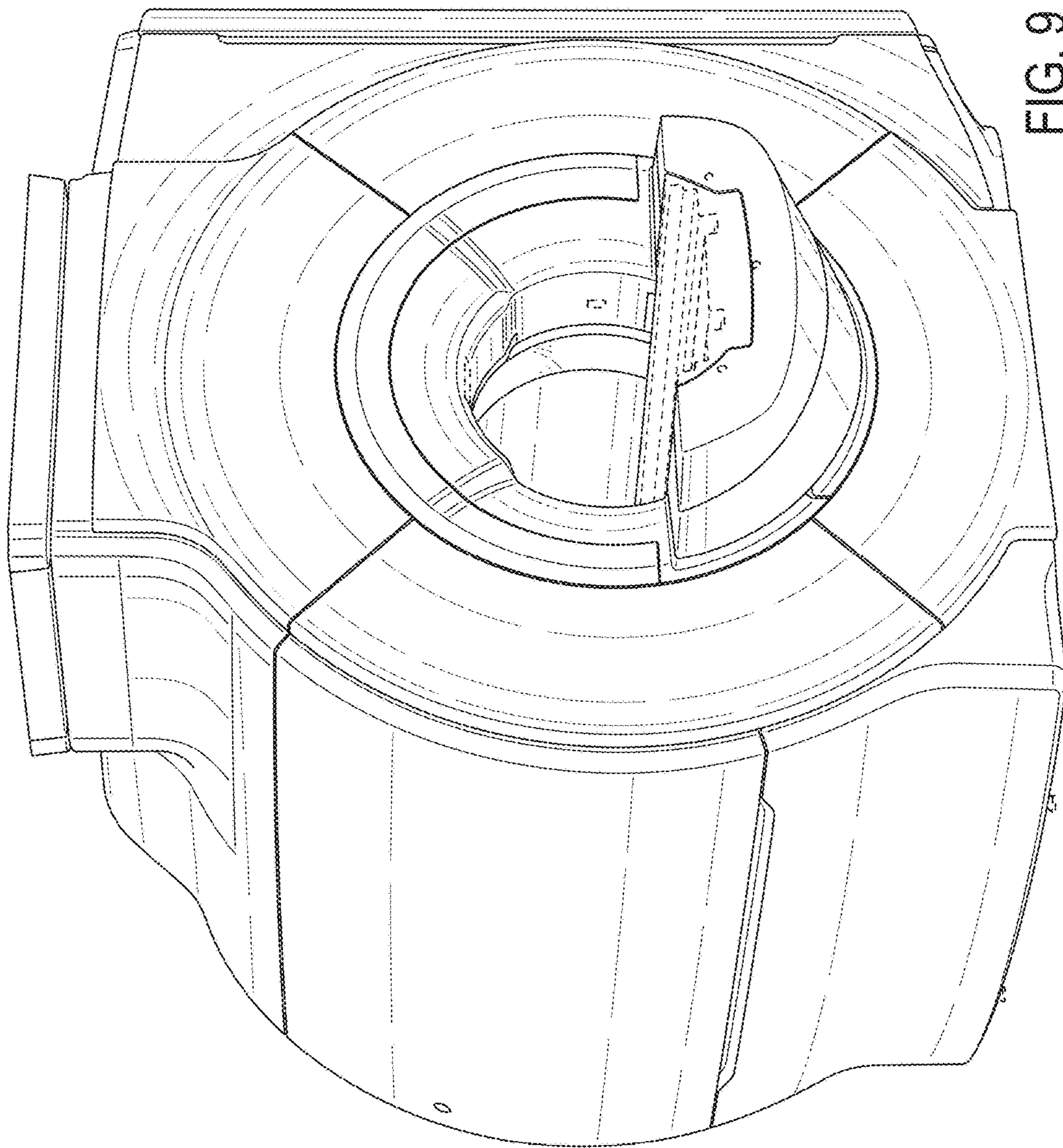


FIG. 9

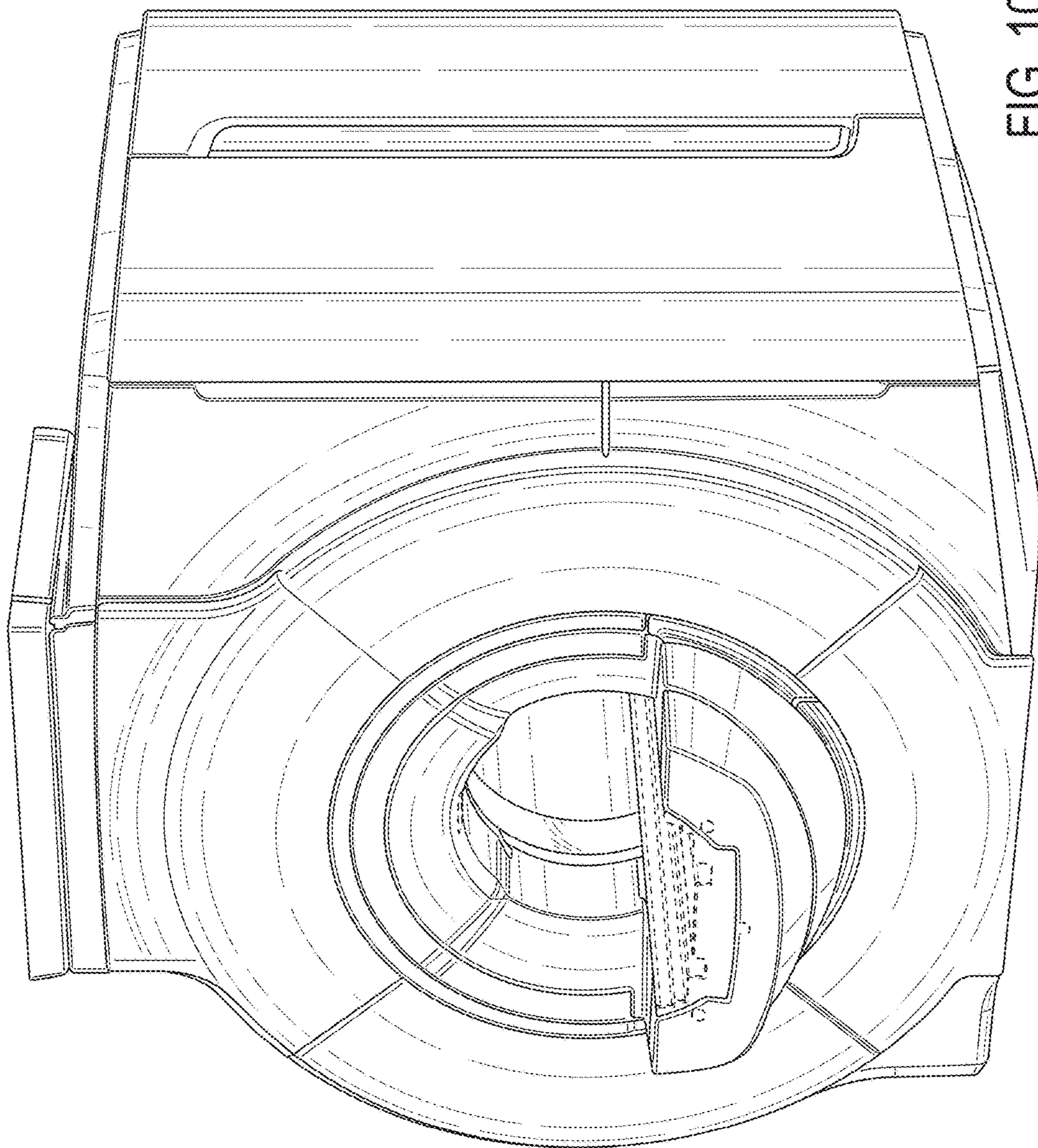


FIG. 10