



US00D818123S

(12) **United States Design Patent** (10) **Patent No.:** **US D818,123 S**
Hussain et al. (45) **Date of Patent:** **** May 15, 2018**

(54) **DUAL-END FORCEPS**

(71) Applicants: **Muhammad Hussain**, Highland Park, NJ (US); **Farah Hussain**, Highland Park, NJ (US)

(72) Inventors: **Muhammad Hussain**, Highland Park, NJ (US); **Farah Hussain**, Highland Park, NJ (US)

(**) Term: **15 Years**

(21) Appl. No.: **29/612,785**

(22) Filed: **Aug. 3, 2017**

Related U.S. Application Data

(63) Continuation-in-part of application No. 29/575,258, filed on Aug. 23, 2016, now Pat. No. Des. 809,207, and a continuation-in-part of application No. 29/564,625, filed on May 13, 2016, now Pat. No. Des. 811,661, and a continuation-in-part of application No. 29/579,702, filed on Oct. 3, 2016, now Pat. No. Des. 812,304, and a continuation-in-part of application No. 29/612,780, filed on Aug. 3, 2017.

(51) **LOC (11) Cl.** **24-02**

(52) **U.S. Cl.**
USPC **D24/143**

(58) **Field of Classification Search**
USPC D24/143, 147, 149; D28/55
CPC B25B 9/02; A61B 17/28-17/30; A61B 17/2804; A61B 17/2816; A61B 17/50; A61B 2017/0042; A61B 2017/00424; A45D 26/0066

See application file for complete search history.

(56) **References Cited**

U.S. PATENT DOCUMENTS

D227,040	S	*	5/1973	Lockwood	D24/143
D456,076	S	*	4/2002	Tyler	D24/143
D753,881	S		4/2016	Hussain et al.		
9,333,049	B2	*	5/2016	McDonald	A61B 17/30
9,751,194	B2	*	9/2017	Hussain	B25B 9/02
9,888,934	B2	*	2/2018	Storz	A61B 17/29
2006/0129187	A1	*	6/2006	Cho	A45D 26/0066 606/210
2014/0325846	A1		11/2014	Hussain		
2016/0279766	A1		9/2016	Hussain et al.		

* cited by examiner

Primary Examiner — Wan Laymon

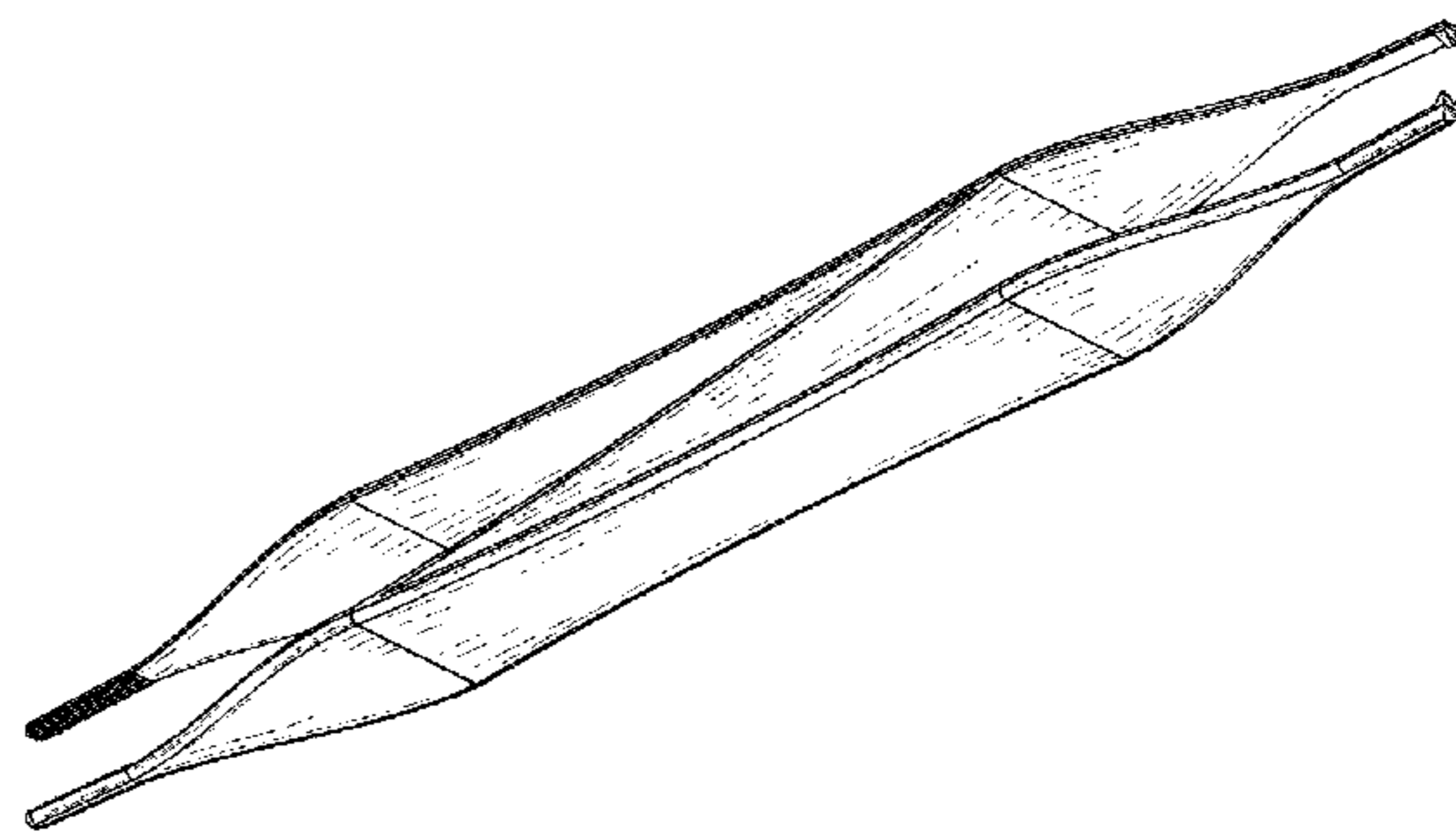
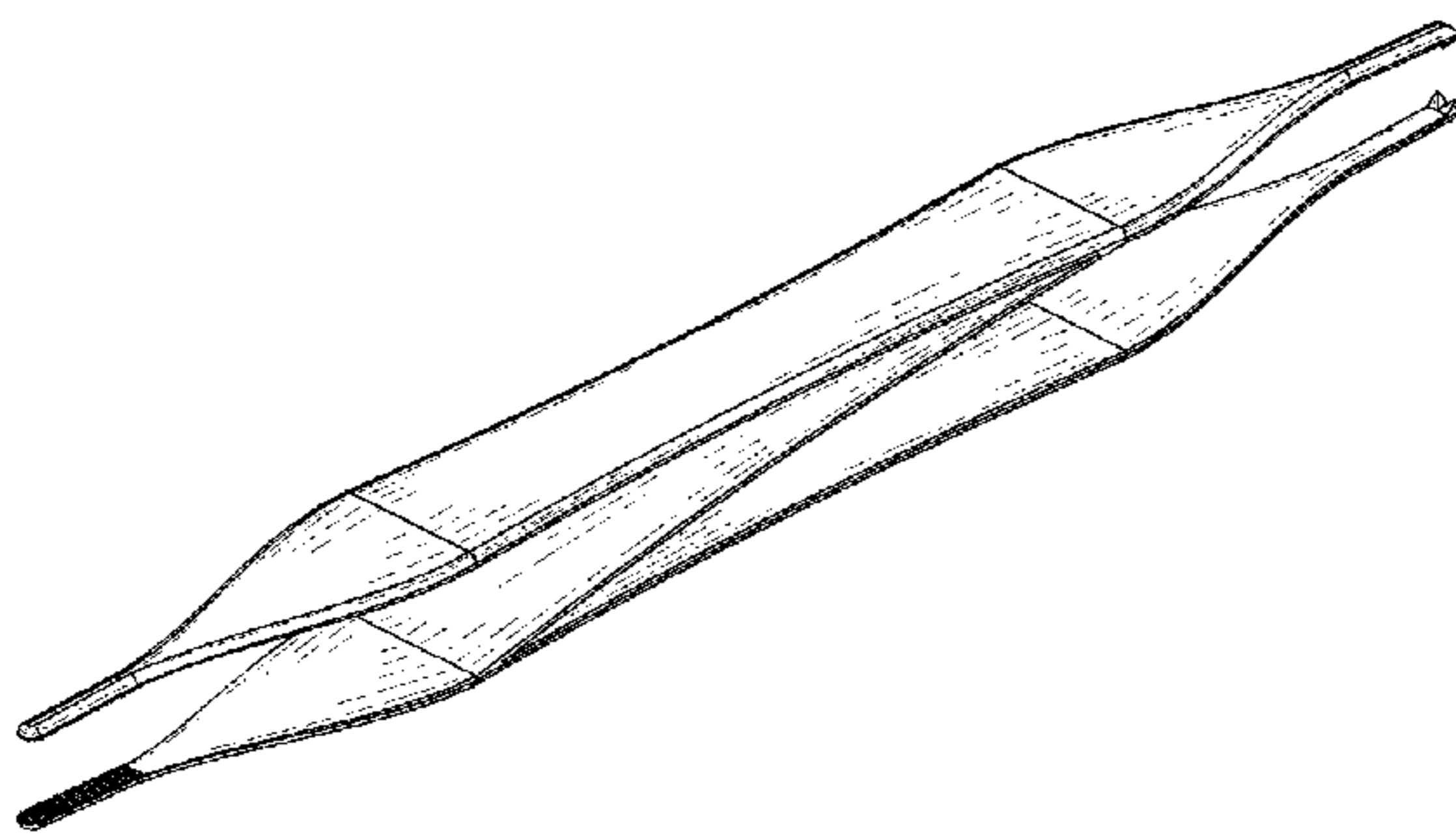
(57) **CLAIM**

The ornamental design for a dual-end forceps, as shown and described.

DESCRIPTION

FIG. 1 is a front, top perspective view of a dual-end forceps; FIG. 2 is a front elevational view thereof; FIG. 3 is a rear elevational view thereof; FIG. 4 is a right side elevational view thereof; FIG. 5 is a left side elevational view thereof; FIG. 6 is a top plan view thereof; FIG. 7 is a bottom plan view thereof; and, FIG. 8 is a rear, bottom perspective view thereof.

1 Claim, 8 Drawing Sheets



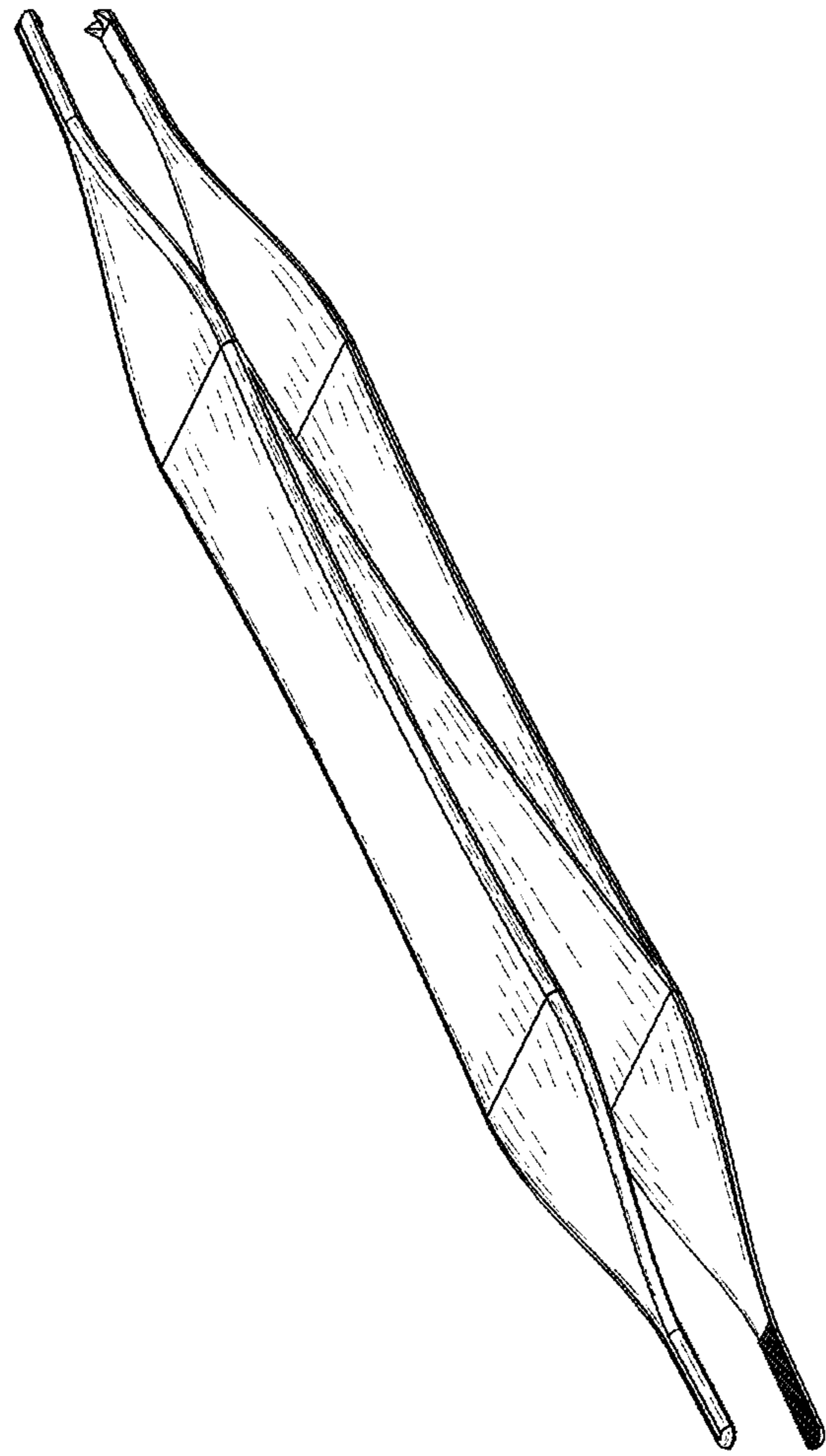


FIG. 1

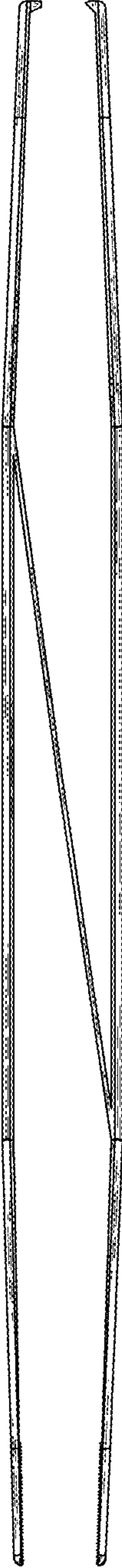


FIG. 2

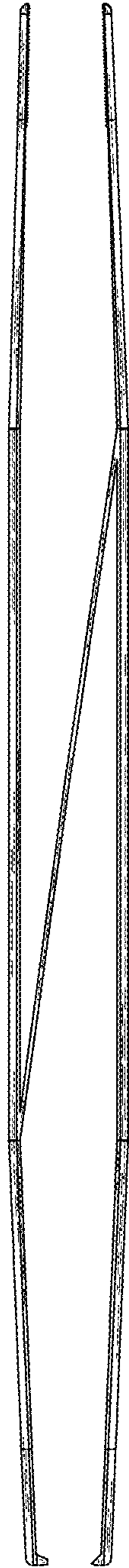


FIG. 3

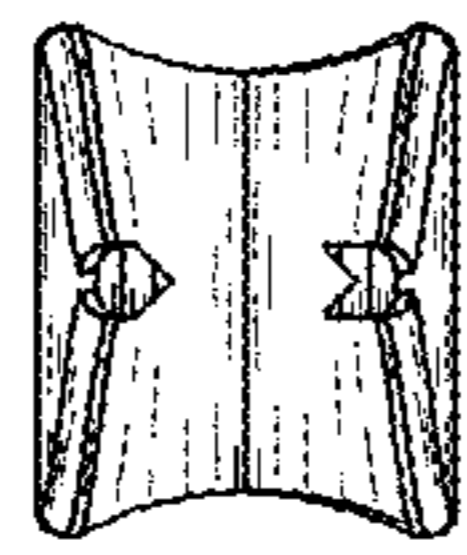


FIG. 4

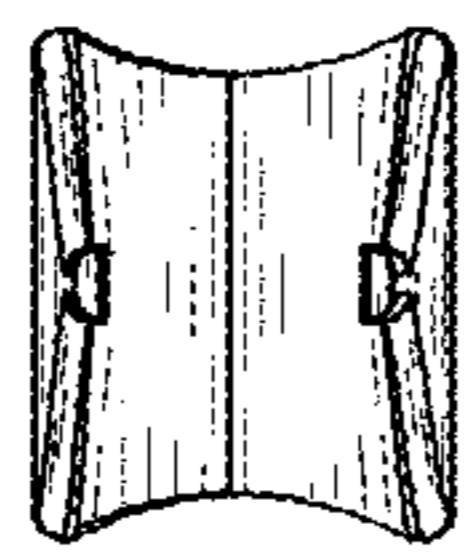


FIG. 5

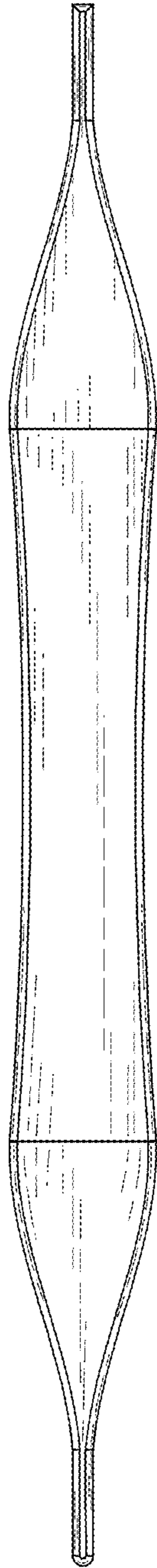


FIG. 6

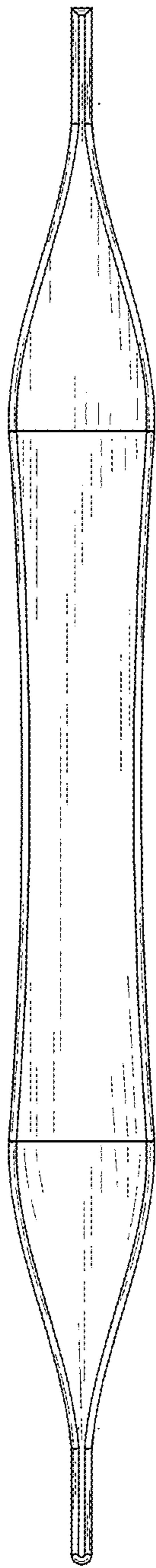


FIG. 7

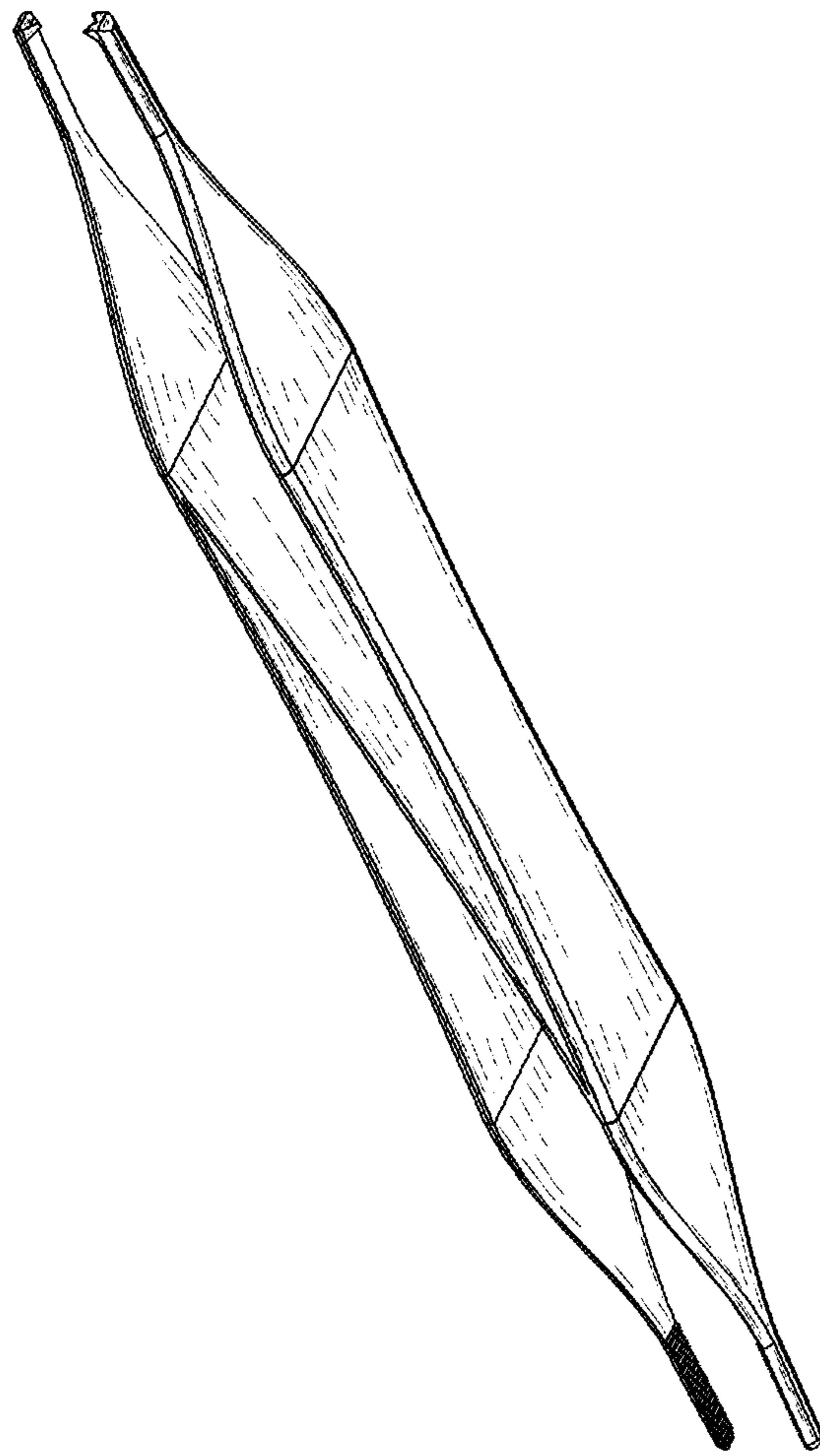


FIG. 8