



US00D818117S

(12) **United States Design Patent** (10) **Patent No.:** **US D818,117 S**
Green (45) **Date of Patent:** **** *May 15, 2018**

(54) **AIR REMOVAL DEVICE**

FOREIGN PATENT DOCUMENTS

(71) Applicant: **Richard Green**, Santa Monica, CA (US)

CN 301729330 S 11/2011
CN 301729332 S 11/2011

(Continued)

(72) Inventor: **Richard Green**, Santa Monica, CA (US)

OTHER PUBLICATIONS

(73) Assignee: **AILNH, LLC**, Boca Raton, FL (US)

BD A-Line Syringe Without Needle 3ml Slip Tip, https://online.ebos.co.nz/default.cfm?action=displayproduct&product_code=21120424, 1 page.

(*) Notice: This patent is subject to a terminal disclaimer.

(Continued)

(**) Term: **15 Years**

Primary Examiner — David G Muller

(21) Appl. No.: **29/596,365**

Assistant Examiner — Nathan M Johnston

(22) Filed: **Mar. 7, 2017**

(74) *Attorney, Agent, or Firm* — Steve Hassid; Partners Law Group, Inc.

Related U.S. Application Data

(63) Continuation-in-part of application No. 29/556,546, filed on Mar. 1, 2016.

(57) **CLAIM**

(51) **LOC (11) Cl.** **24-02**

I claim the ornamental design for an air removal device, as shown and described.

(52) **U.S. Cl.**

USPC **D24/112**

(58) **Field of Classification Search**

USPC D24/112–114, 108, 133, 130, 127, 186; 600/101, 139, 143; 604/4.01, 6.05, 264, 604/272, 187, 181, 184, 227; 606/181, 606/185; 128/200.24, 207.14, 207.15; 422/44

CPC A61M 25/00; A61M 39/00; A61M 27/00; A61M 25/0043; A61M 25/0067; A61M 25/0097

See application file for complete search history.

DESCRIPTION

FIG. 1 is a top front perspective view of the claimed design; FIG. 2 is a right side elevation view thereof; FIG. 3 is a left side elevation view thereof; FIG. 4 is a front elevation view thereof; FIG. 5 is a rear elevation view thereof; FIG. 6 is a top plan view thereof; and, FIG. 7 is a bottom plan view thereof.

The broken line showing of air removal device is included for the purpose of illustrating portions of the “article” and forms no part of the claimed design.

The air removal device is shown with symbolic breaks in its length. The appearance of any portion of the article between the break lines forms no part of the claimed design.

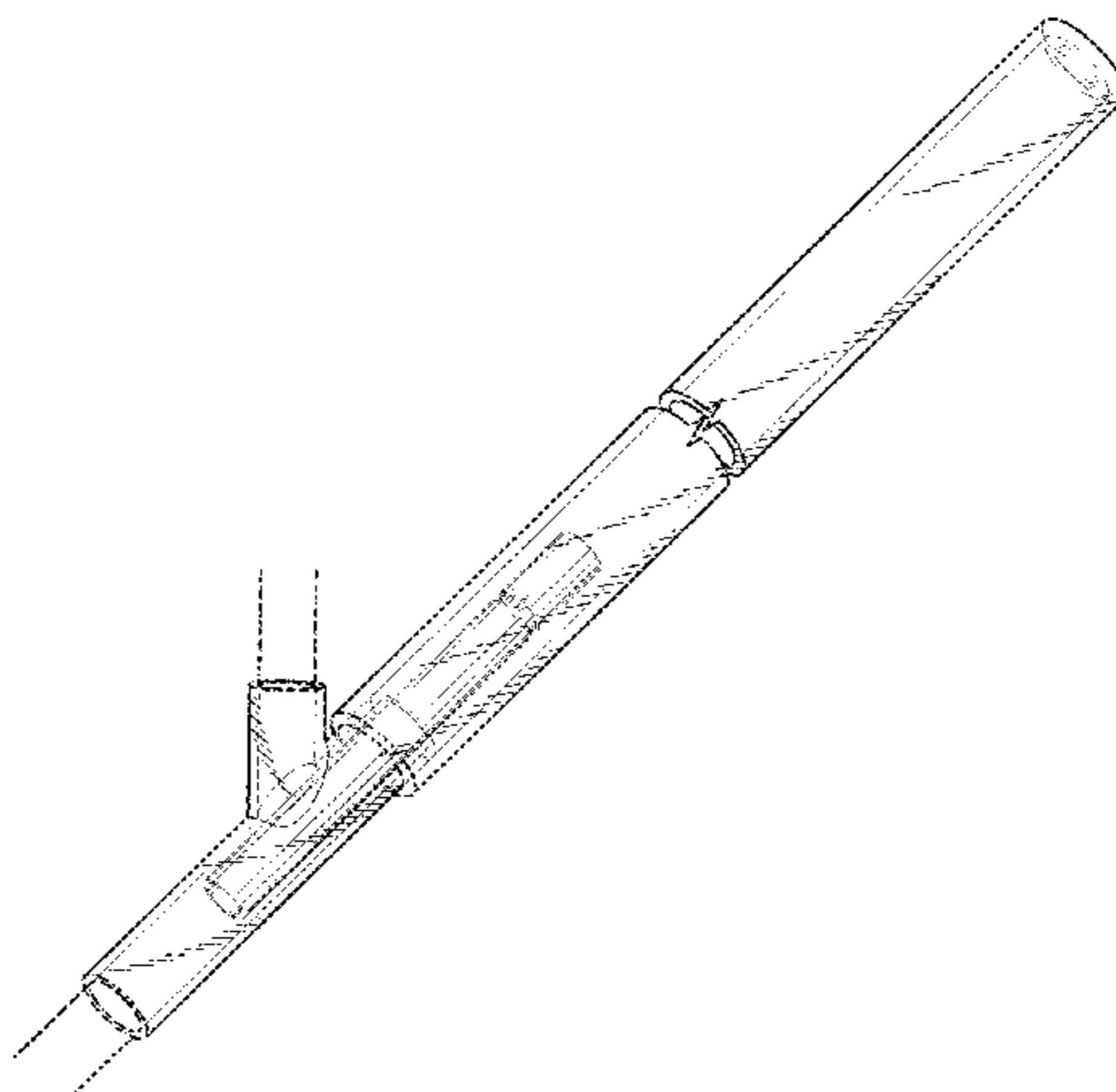
(56) **References Cited**

U.S. PATENT DOCUMENTS

D282,204 S 1/1986 Holt
D323,889 S 2/1992 Wyatt et al.
D339,189 S 9/1993 Nilsson

(Continued)

1 Claim, 4 Drawing Sheets



(56)

References Cited

U.S. PATENT DOCUMENTS

5,284,486 A * 2/1994 Kotula A61B 17/32075
606/159

D363,702 S 10/1995 McFadden

D372,311 S 7/1996 Koros et al.

D376,645 S * 12/1996 Lindgren D24/112

6,053,899 A * 4/2000 Slanda A61B 17/0483
604/500

D446,865 S * 8/2001 Conway D24/216

D449,104 S 10/2001 Baker et al.

6,315,755 B1 * 11/2001 Sussman A61F 9/00736
239/13

D452,004 S 12/2001 Baker et al.

D458,134 S 6/2002 Berish et al.

D461,555 S * 8/2002 Binet D24/114

D482,121 S 11/2003 Harding et al.

D482,447 S 11/2003 Harding et al.

6,716,189 B1 * 4/2004 Jarvik A61M 1/101
604/4.01

D520,041 S 5/2006 Wheat

D522,595 S 6/2006 Donahue et al.

D586,913 S 2/2009 Leroy et al.

D593,801 S * 6/2009 Wilson D24/114

7,569,029 B2 8/2009 Clark

D600,793 S * 9/2009 Bierman D24/112

7,896,832 B2 3/2011 Zafirelis et al.

D642,548 S 8/2011 Bowen, III

D647,496 S 10/2011 Tung

8,029,728 B2 10/2011 Lindsay

8,062,270 B2 11/2011 Sweeney

D657,867 S * 4/2012 Effenberger D24/114

8,211,047 B2 7/2012 Cerasoli et al.

D667,546 S 9/2012 Becker

8,313,954 B2 11/2012 Leach et al.

D672,238 S 12/2012 Aziz et al.

D673,673 S 1/2013 Wang

8,393,328 B2 3/2013 Angel et al.

8,394,052 B2 * 3/2013 Jessop B65D 25/082
604/187

D715,423 S 10/2014 Rogers

D715,921 S 10/2014 Wan

D720,850 S 1/2015 Hsia et al.

D722,160 S 2/2015 Armstrong

D727,499 S * 4/2015 Schad D24/146

D733,291 S 6/2015 Wang

D741,476 S 10/2015 Hiraoka et al.

D753,283 S * 4/2016 Efinger D24/108

D758,579 S * 6/2016 Keckstein D24/133

D761,961 S * 7/2016 Tan D24/143

D768,868 S * 10/2016 Inoue D24/216

D773,664 S * 12/2016 DeNeui D24/147

D774,181 S * 12/2016 Green D24/112

D782,026 S * 3/2017 Bresco Torras D24/108

2011/0118704 A1 * 5/2011 Riaz A61M 25/04
604/544

2015/0343157 A1 12/2015 Basile et al.

2016/0067391 A1 * 3/2016 Real A61B 17/3421
604/543

2016/0129220 A1 * 5/2016 Jagadeesan A61M 39/06
604/508

FOREIGN PATENT DOCUMENTS

CN 30/1978850 7/2012

CN 301978850 S 7/2012

EM 003359108-0001 8/2016

EM 003359108-0002 8/2016

EP 2 497 512 9/2012

GB 2 039 434 6/1994

GB 3 011 694 3/2003

GB 3 011 695 3/2003

JP D1296417 2/2007

SU 1134199 1/1985

SU 1215718 3/1986

WO WO-2012/128816 9/2012

OTHER PUBLICATIONS

BD SAF-T-Intima Closed IV Catheter System, <http://www.bd.com/infusion/products/ivcatheters/sti.asp>, 2 pages.

Canadian Examiner's Report dated Dec. 19, 2016, from related application No. 170250.

Extracorporeal Membrane Oxygenation, an Anesthesiologist's Perspective: Physiology and Principles, <http://annals.In/article.asp?issn=0971-9784;year=2011;volume=14;issue=3;spage=218;epage=229;aulast=Chauhan;type=3>.

International Preliminary Report on Patentability dated Aug. 25, 2016, from related international application No. PCT/US2014/016595.

IV Gravity Sets, <https://sentramedical.co.uk/portfolio-view/iv-gravity-sets/>, 2 pages.

Japanese Office Action dated Jan. 10, 2017, from related application No. 2016-18812.

Latex Short Type Y Injection Port for I.V. Tube, <http://eastmed01.en.made-in-china.com/product/PqcQUOKAXdpz/China-Latex-Short-Type-YInjection-Port-for-I-V-Tube.html>, 3 pages.

PCT International Search Report and Written Opinion dated Nov. 6, 2014, from related application No. PCT/U52014/016595.

Pen Type IV Cannula Without Valve and Without Wings With CE&ISO Approval, <http://sell.lulusoso.com/selling-leads/1215085/Y-type-I-V-Cannula-Types-of-cannula.html>, 7 pages.

SAF—T—Intima Intravenous Cannula, <http://www.clhgroup.co.uk/products/saf-t-intima-intravenous-cannula/3331/>, 1 page.

Starting Intravenous Lines, <http://www.mrprotocols.com/sset/iv.html>, 5 pages.

US Notice of Allowance dated Jul. 16, 2014, from related U.S. Appl. No. 29/456,396.

US Notice of Allowance dated Oct. 28, 2016, from related U.S. Appl. No. 29/545,199.

US Office Action dated Sep. 30, 2016, from related U.S. Appl. No. 29/545,199.

Canadian Examiner's Report dated Mar. 28, 2017, from related application No. 170250.

US Office Action dated Jun. 29, 2017, from U.S. Appl. No. 29/556,546.

* cited by examiner

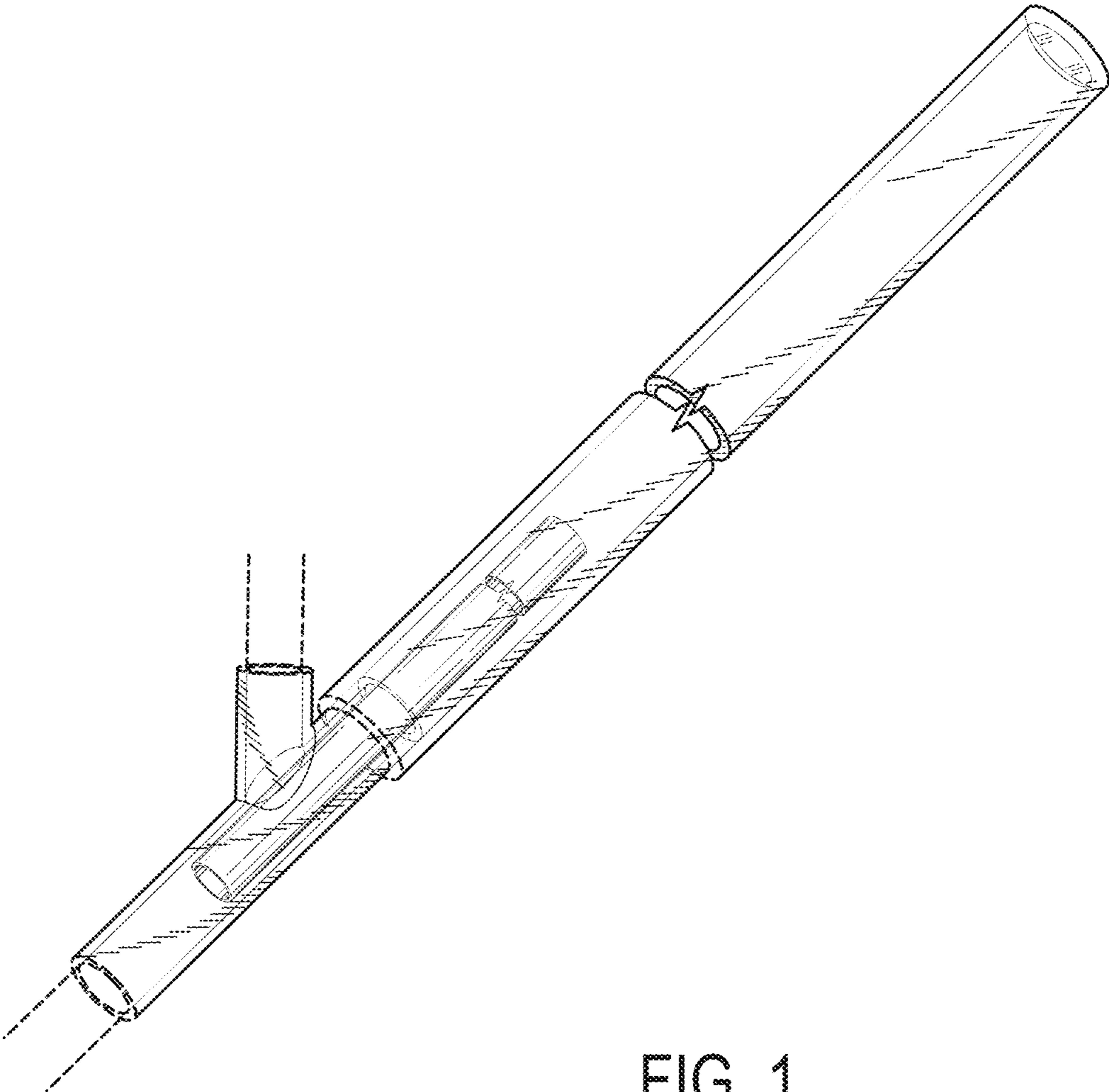


FIG. 1

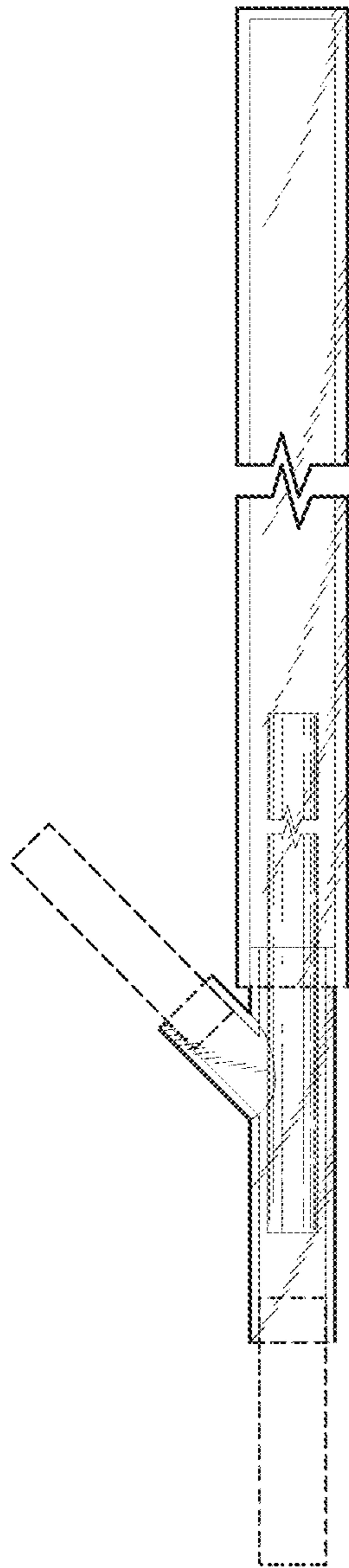


FIG. 2

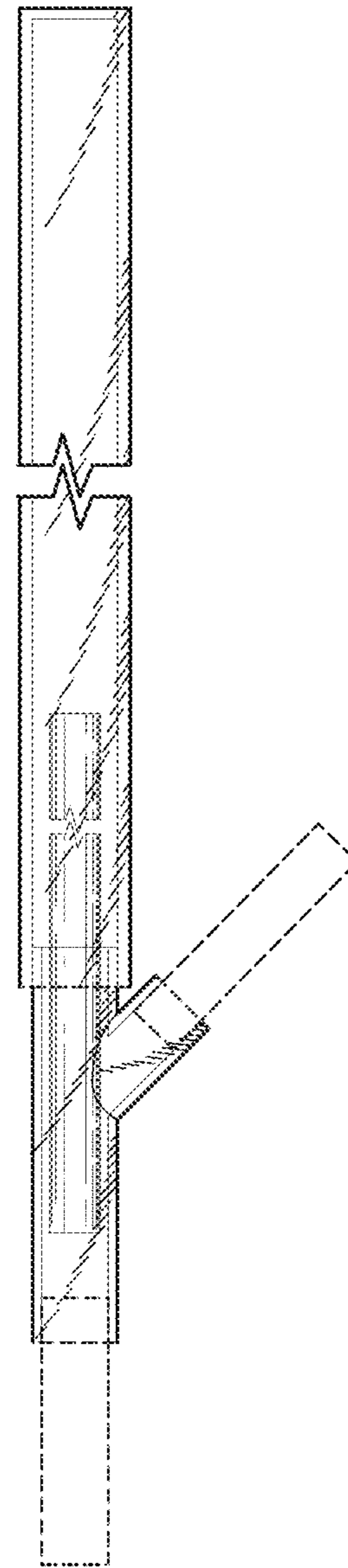


FIG. 3

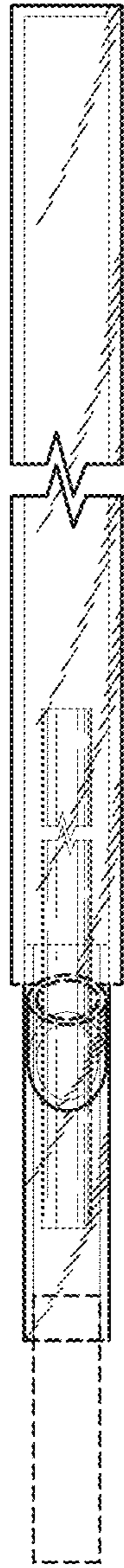


FIG. 4



FIG. 5

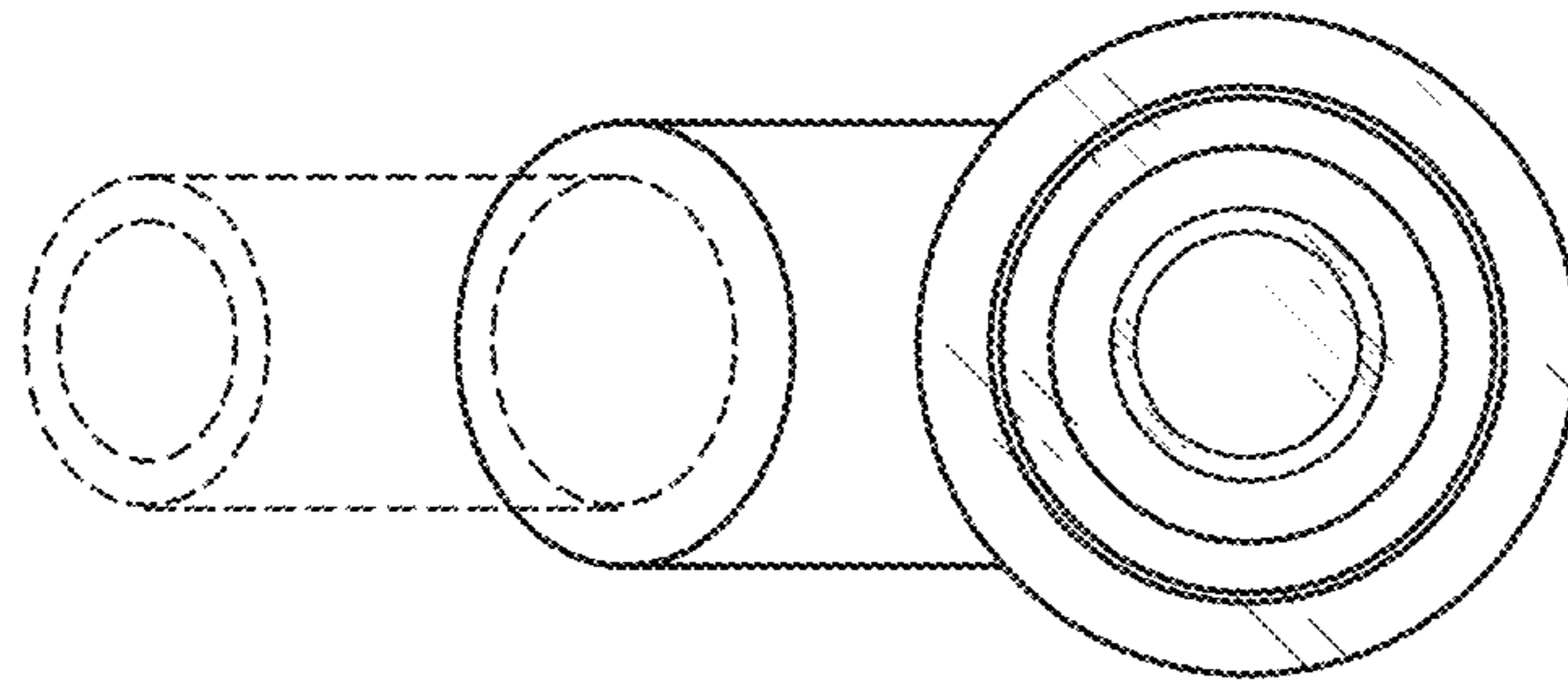


FIG. 6

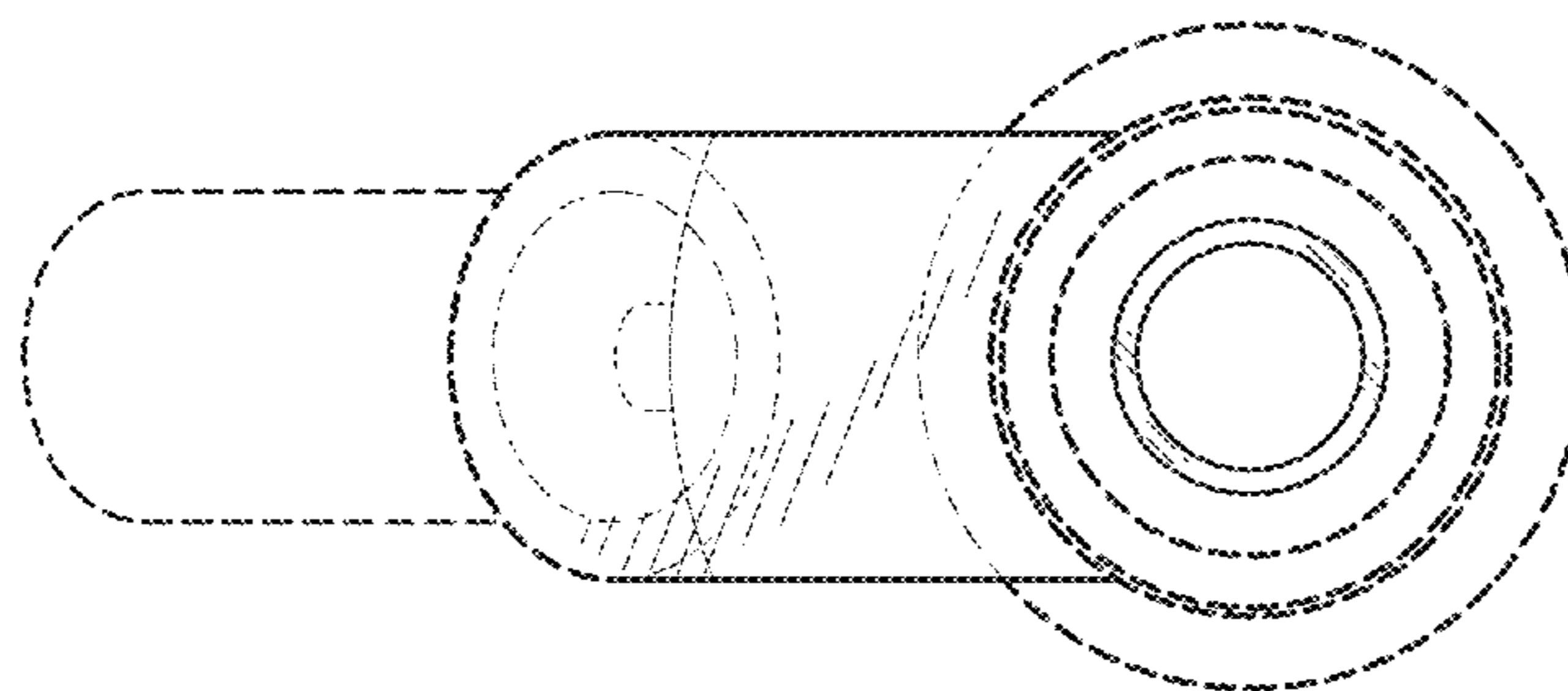


FIG. 7