



US00D818115S

(12) **United States Design Patent**  
**Teufel**

(10) **Patent No.:** **US D818,115 S**

(45) **Date of Patent:** **\*\* May 15, 2018**

- (54) **REMOVAL TUBE**
- (71) Applicant: **KARL STORZ GmbH & Co. KG,**  
Tuttlingen (DE)
- (72) Inventor: **Felix Teufel,** Tuttlingen (DE)
- (73) Assignee: **KARL STORZ GmbH & Co. KG,**  
Tuttlingen (DE)
- (\*\*) Term: **15 Years**
- (21) Appl. No.: **29/589,853**
- (22) Filed: **Jan. 5, 2017**
- (30) **Foreign Application Priority Data**  
Jul. 26, 2016 (EM) ..... 003319987-0001
- (51) **LOC (11) Cl.** ..... **24-02**
- (52) **U.S. Cl.**  
USPC ..... **D24/112**
- (58) **Field of Classification Search**  
USPC ..... D24/112-114, 108, 133, 130, 127, 186;  
606/181, 185; 604/264, 272, 187, 181,  
604/184, 227; 600/101, 139, 143;  
128/200.24, 207.14, 207.15  
CPC ..... A61M 25/00; A61M 25/065; A61M 5/42;  
A61M 25/0612; A61M 25/0043; A61M  
25/0067  
See application file for complete search history.

- (56) **References Cited**  
**U.S. PATENT DOCUMENTS**  
D287,165 S \* 12/1986 Lipsky ..... D24/112  
D312,872 S \* 12/1990 Mahl ..... D24/112  
D323,886 S \* 2/1992 Picha ..... D24/107

- D346,861 S \* 5/1994 Martin ..... D24/133
- 5,527,281 A \* 6/1996 Haas ..... A61M 25/0069  
604/103
- D428,137 S \* 7/2000 Phelan ..... D24/108
- D441,863 S \* 5/2001 Khalaj ..... D24/133
- D449,104 S \* 10/2001 Baker ..... D24/112
- 6,478,806 B2 \* 11/2002 McFarlane ..... A61B 17/3417  
606/185
- 6,494,887 B1 \* 12/2002 Kaladelfos ..... A61B 17/0469  
606/119
- 8,408,210 B2 \* 4/2013 Curley ..... A61M 16/04  
128/207.15
- 8,631,795 B1 \* 1/2014 McMurray ..... A61M 16/04  
128/207.14
- D725,263 S \* 3/2015 Honma ..... D24/133

\* cited by examiner

*Primary Examiner* — David Muller  
(74) *Attorney, Agent, or Firm* — Muncy, Geissler, Olds & Lowe, P.C.

(57) **CLAIM**  
The ornamental design for a removal tube, as shown and described.

**DESCRIPTION**

FIG. 1 is a front perspective view of a removal tube according to the present invention.  
FIG. 2 is a front view of the removal tube of FIG. 1.  
FIG. 3 is a rear view of the removal tube of FIG. 1.  
FIG. 4 is a left side view of the removal tube of FIG. 1.  
FIG. 5 is a right side view of the removal tube of FIG. 1.  
FIG. 6 is a top view of the removal tube of FIG. 1; and, FIG. 7 is a bottom view of the removal tube of FIG. 1.  
The dashed lines illustrate environment that does not form a part of the present invention, and no claim is made to the material illustrated with dashed lines.

**1 Claim, 7 Drawing Sheets**

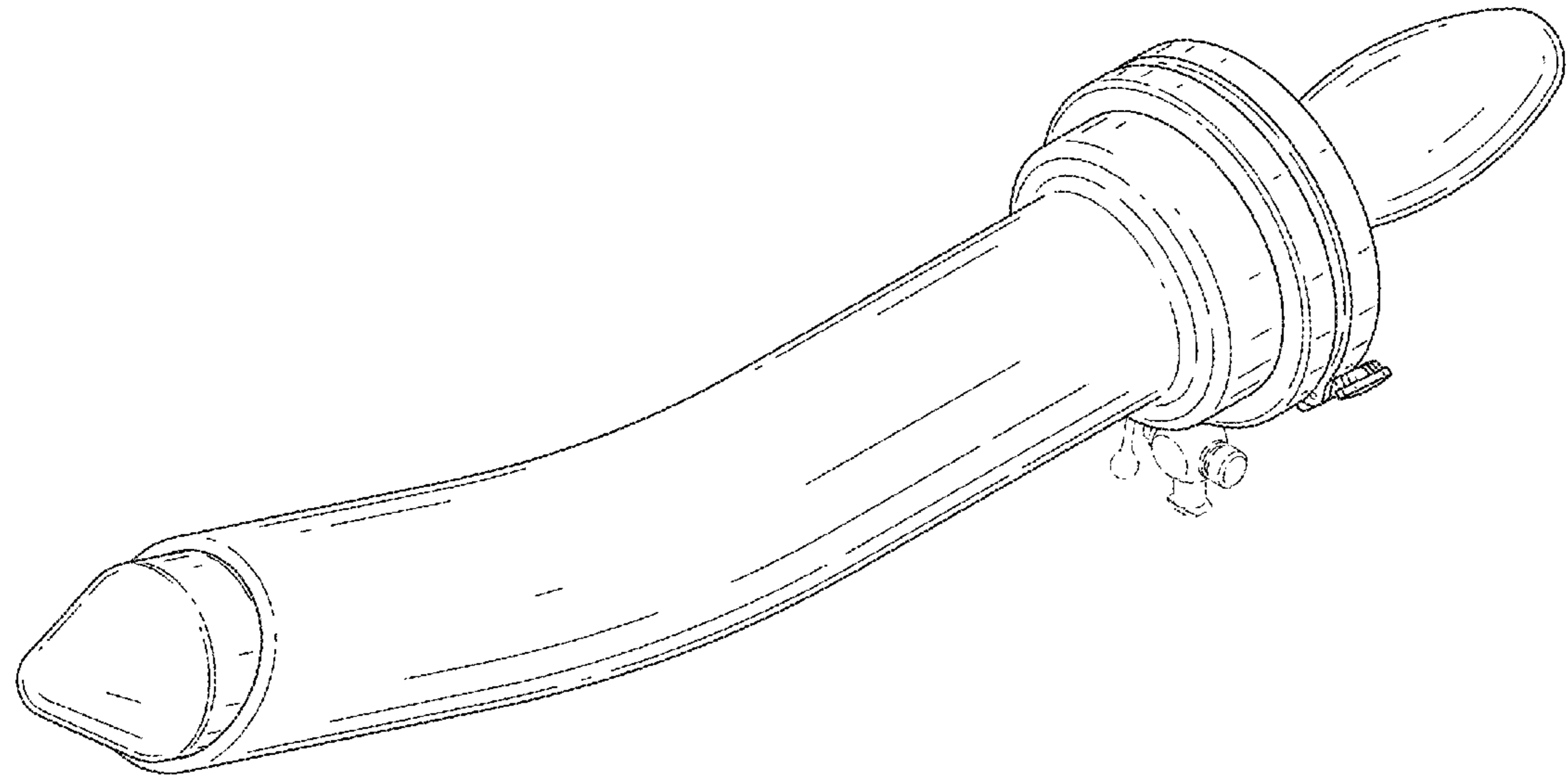




FIG.1

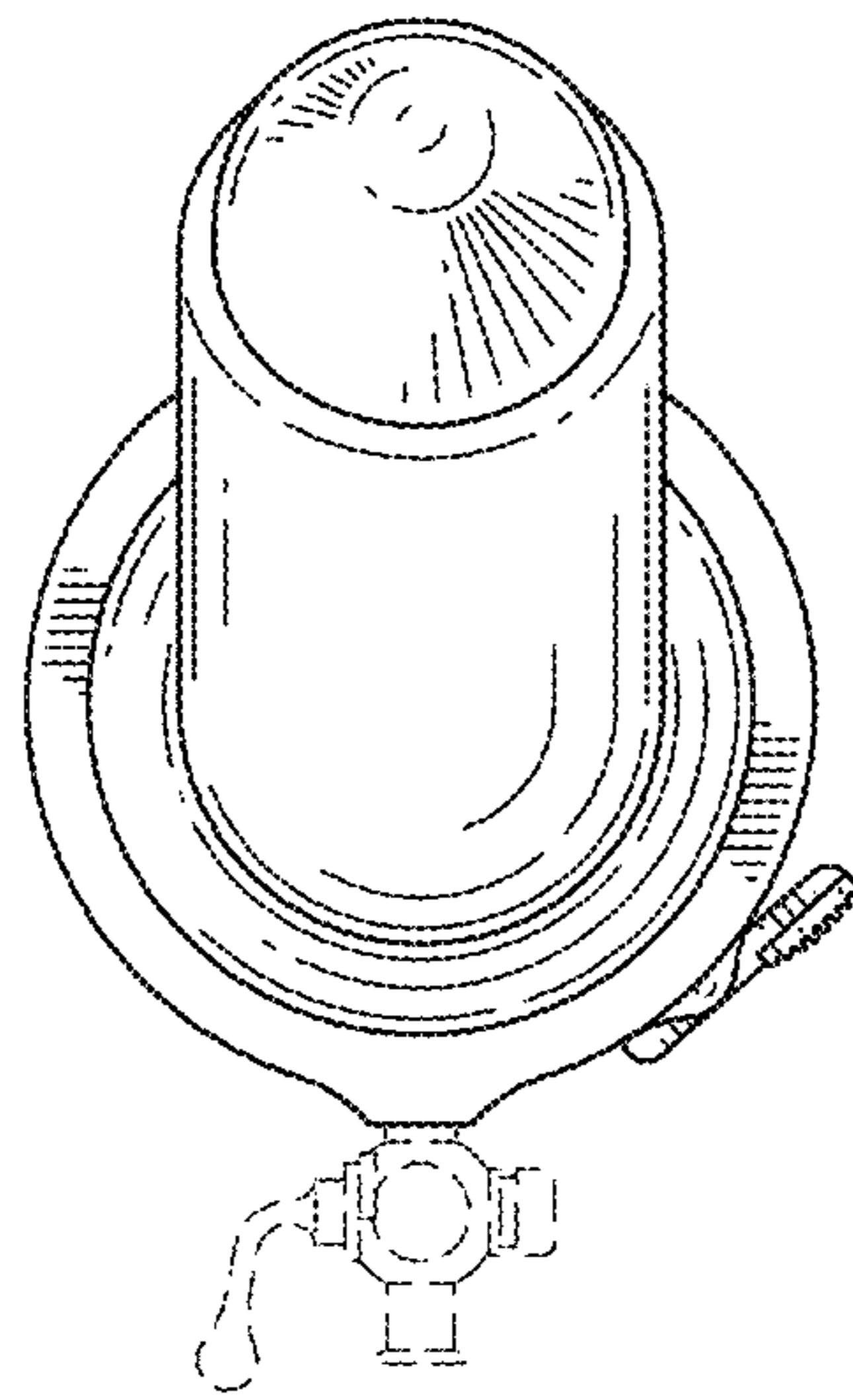


FIG. 2

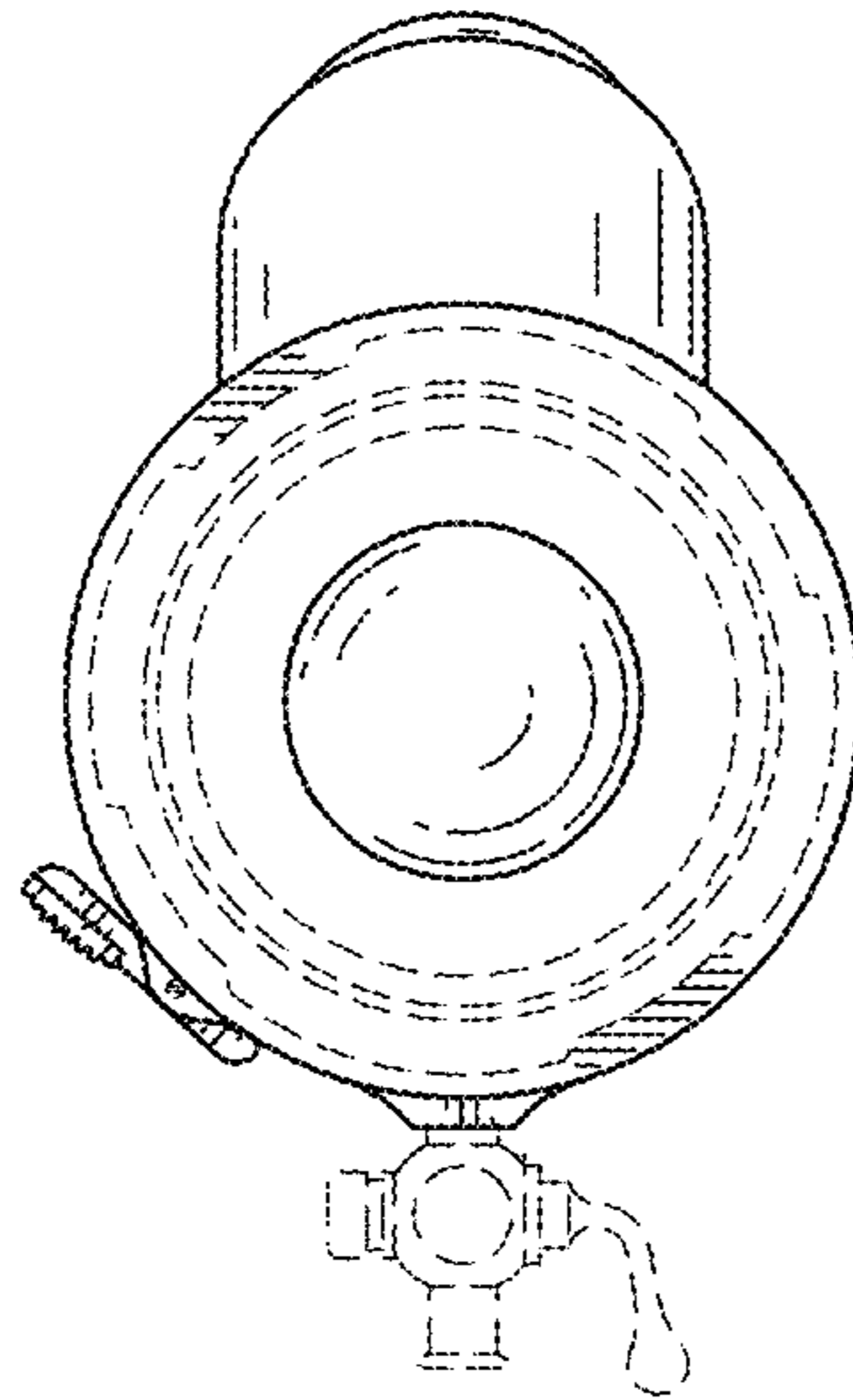


FIG.3

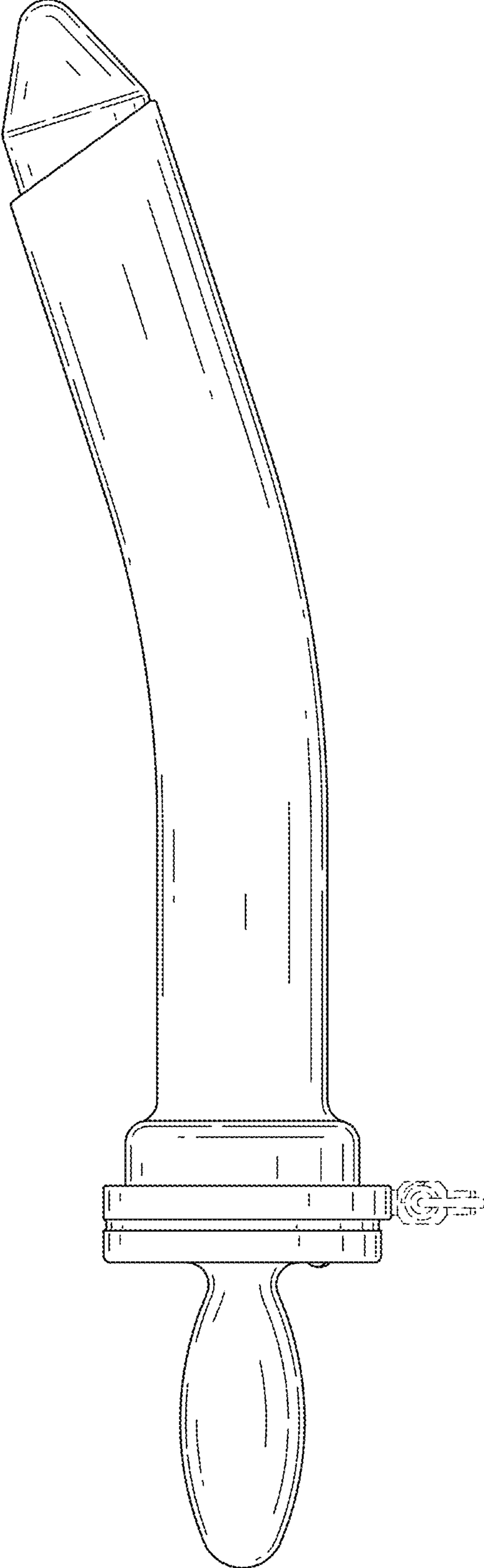


FIG.4

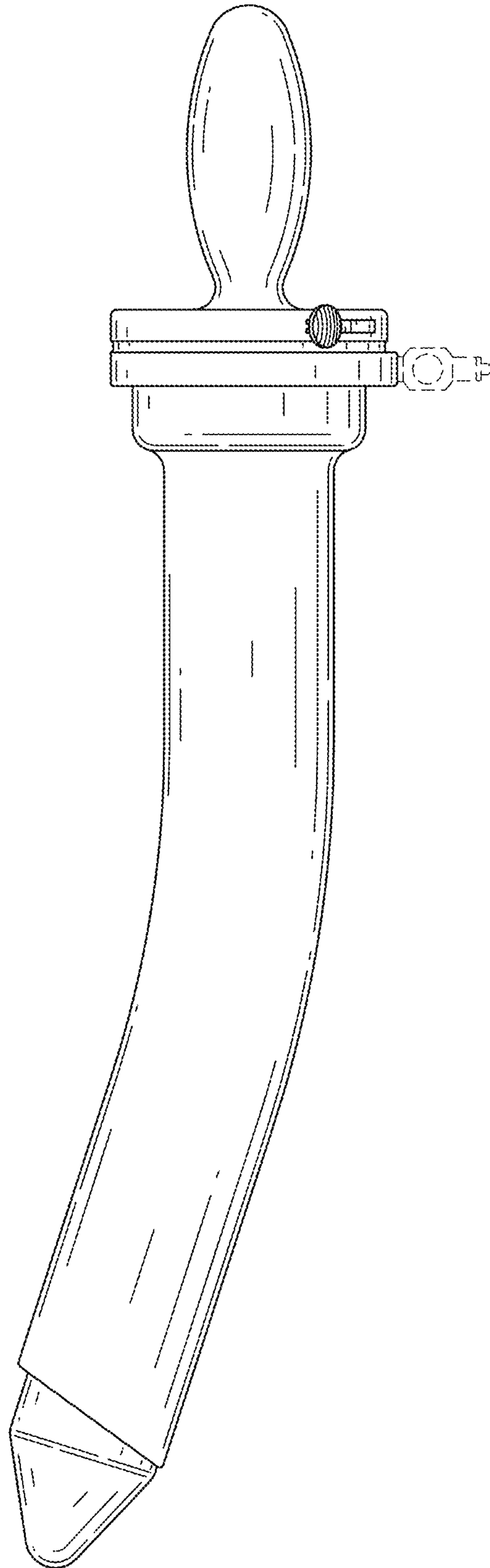


FIG.5

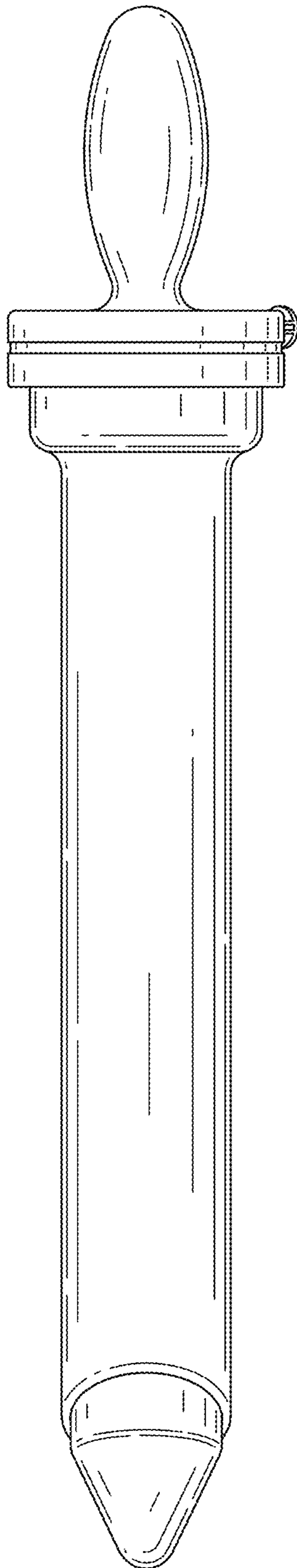


FIG.6

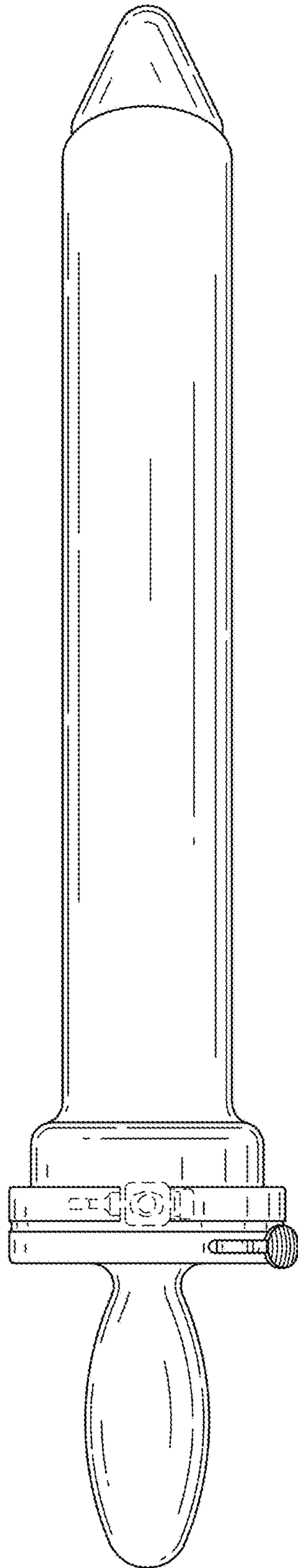


FIG.7