



US00D818114S

(12) **United States Design Patent** (10) **Patent No.:** **US D818,114 S**
Teufel (45) **Date of Patent:** **** May 15, 2018**

(54) **REMOVAL TUBE** D337,637 S * 7/1993 Tucker D24/108
7,059,327 B2 * 6/2006 Worthington A61F 2/20
128/200.26
(71) Applicant: **Karl Storz GmbH & Co. KG,** D572,818 S * 7/2008 Bruce D24/130
Tuttlingen (DE) D620,589 S * 7/2010 Rucinski D24/108
(72) Inventor: **Felix Teufel,** Tuttlingen (DE) 7,918,227 B1 * 4/2011 Phythyon A61M 16/04
128/204.18
(73) Assignee: **KARL STORZ GmbH & Co. KG,** D655,000 S * 2/2012 Mirigian D24/130
Tuttlingen (DE) D695,397 S * 12/2013 Nakatsuka D24/127
D754,843 S * 4/2016 Sonderegger D24/108
D771,242 S * 11/2016 Kaufmann D24/112
(**) Term: **15 Years** 9,498,570 B2 * 11/2016 Yanke A61M 5/007
D803,389 S * 11/2017 Pratley D24/110.1

(21) Appl. No.: **29/589,848**

(22) Filed: **Jan. 5, 2017**

(30) **Foreign Application Priority Data**

Jul. 26, 2016 (EM) 003319987-0005

(51) **LOC (11) Cl.** **24-02**

(52) **U.S. Cl.**
USPC **D24/112**

(58) **Field of Classification Search**
USPC D24/112-114, 108, 133, 130, 127, 186;
606/181, 185; 604/264, 272, 187, 181,
604/184, 227; 600/101, 139, 143;
128/200.24, 207.14, 207.15
CPC A61M 25/00; A61M 25/065; A61M 5/42;
A61M 25/0612; A61M 25/0043; A61M
25/0067

See application file for complete search history.

(56) **References Cited**

U.S. PATENT DOCUMENTS

D323,213 S * 1/1992 Iacone D24/127
D337,383 S * 7/1993 Smith D24/112

* cited by examiner

Primary Examiner — David Muller

(74) *Attorney, Agent, or Firm* — Muncy, Geissler, Olds & Lowe, P.C.

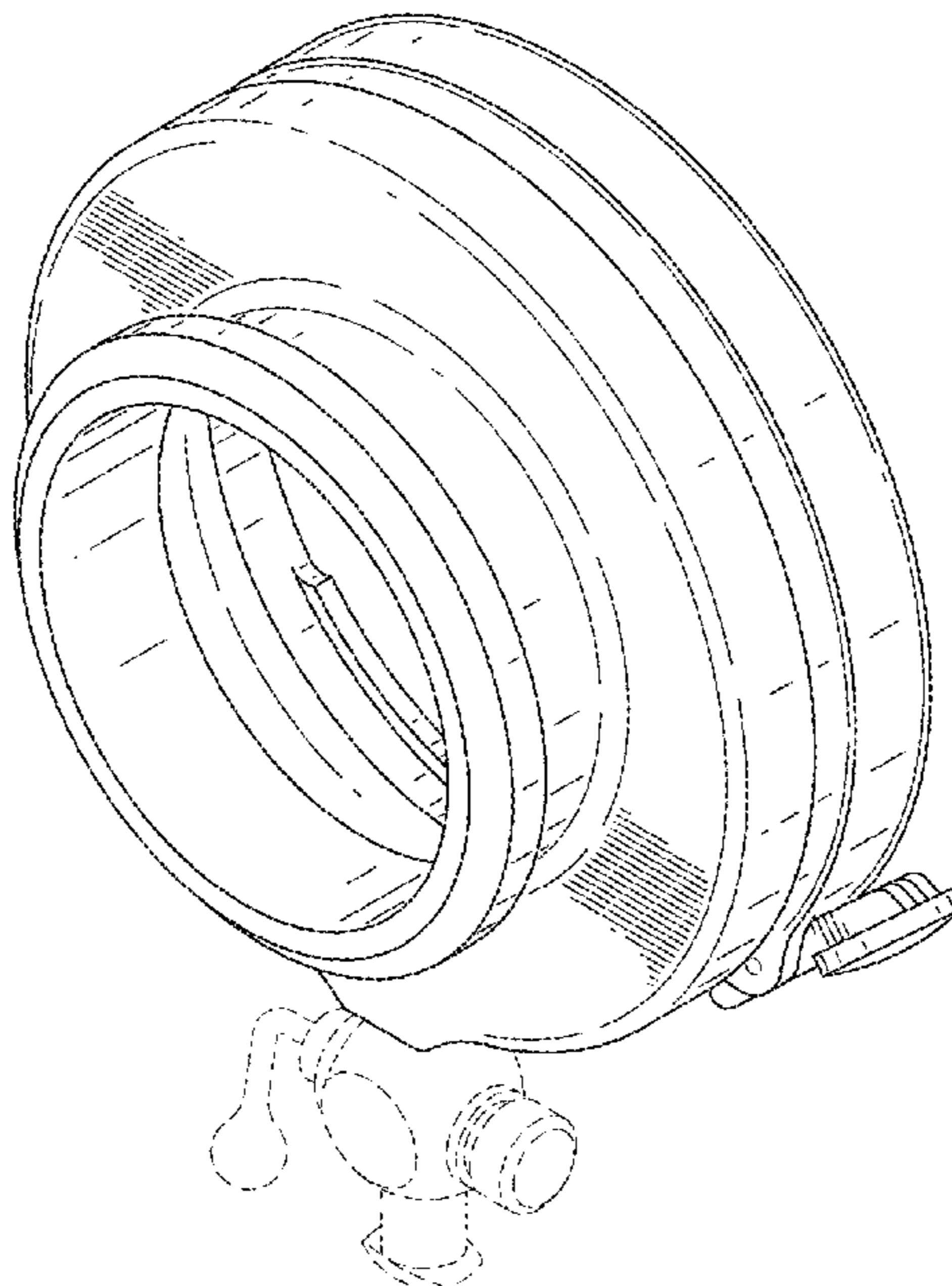
(57) **CLAIM**

The ornamental design for a removal tube, as shown and described.

DESCRIPTION

FIG. 1 is a front perspective view of a removal tube according to the present invention.
FIG. 2 is a front view of the removal tube of FIG. 1.
FIG. 3 is a rear view of the removal tube of FIG. 1.
FIG. 4 is a left side view of the removal tube of FIG. 1.
FIG. 5 is a right side view of the removal tube of FIG. 1.
FIG. 6 is a top view of the removal tube of FIG. 1; and, FIG. 7 is a bottom view of the removal tube of FIG. 1.
The dashed lines illustrate environment that does not form a part of the present invention, and no claim is made to the material illustrated with dashed lines.

1 Claim, 7 Drawing Sheets



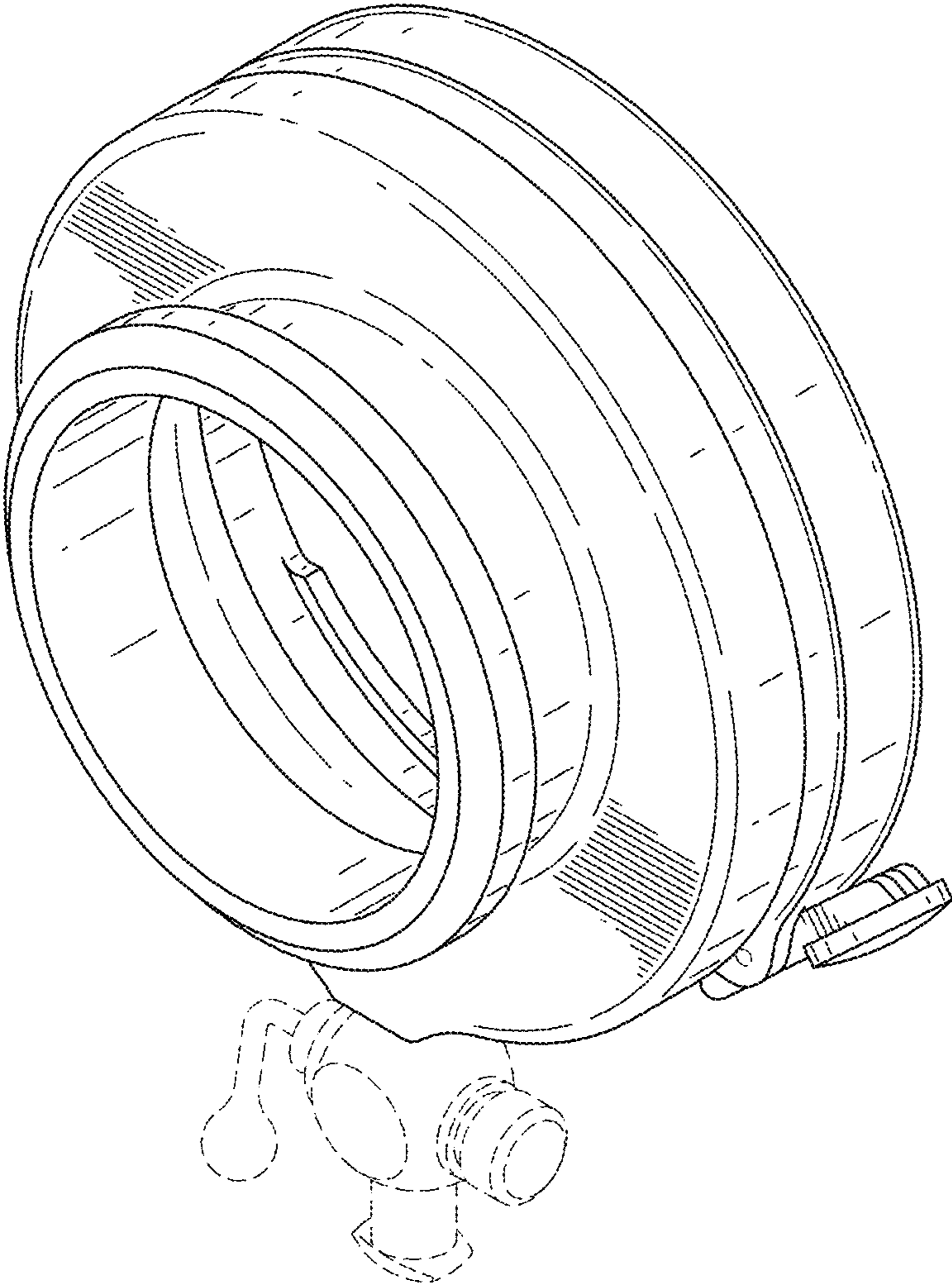


FIG.1

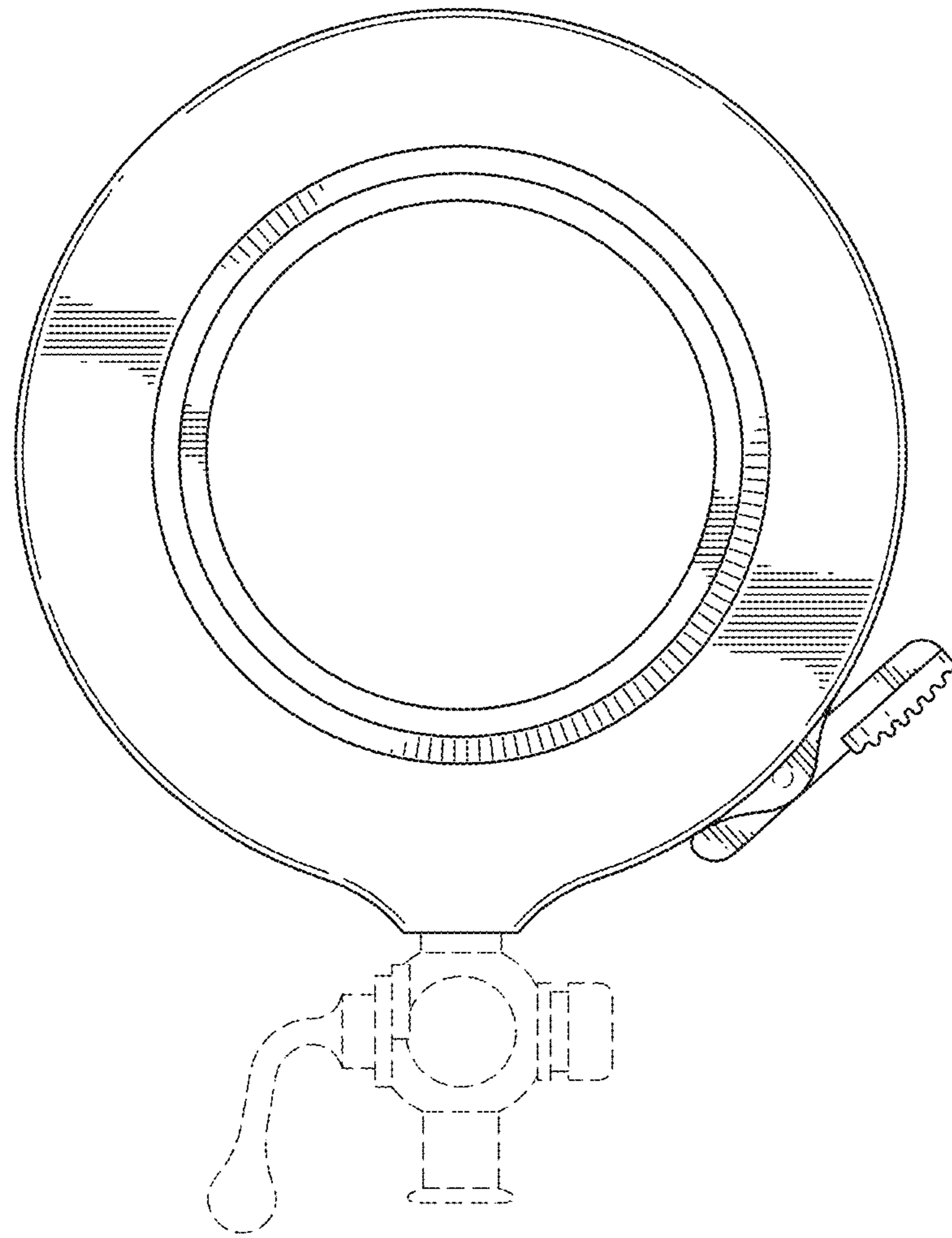


FIG.2

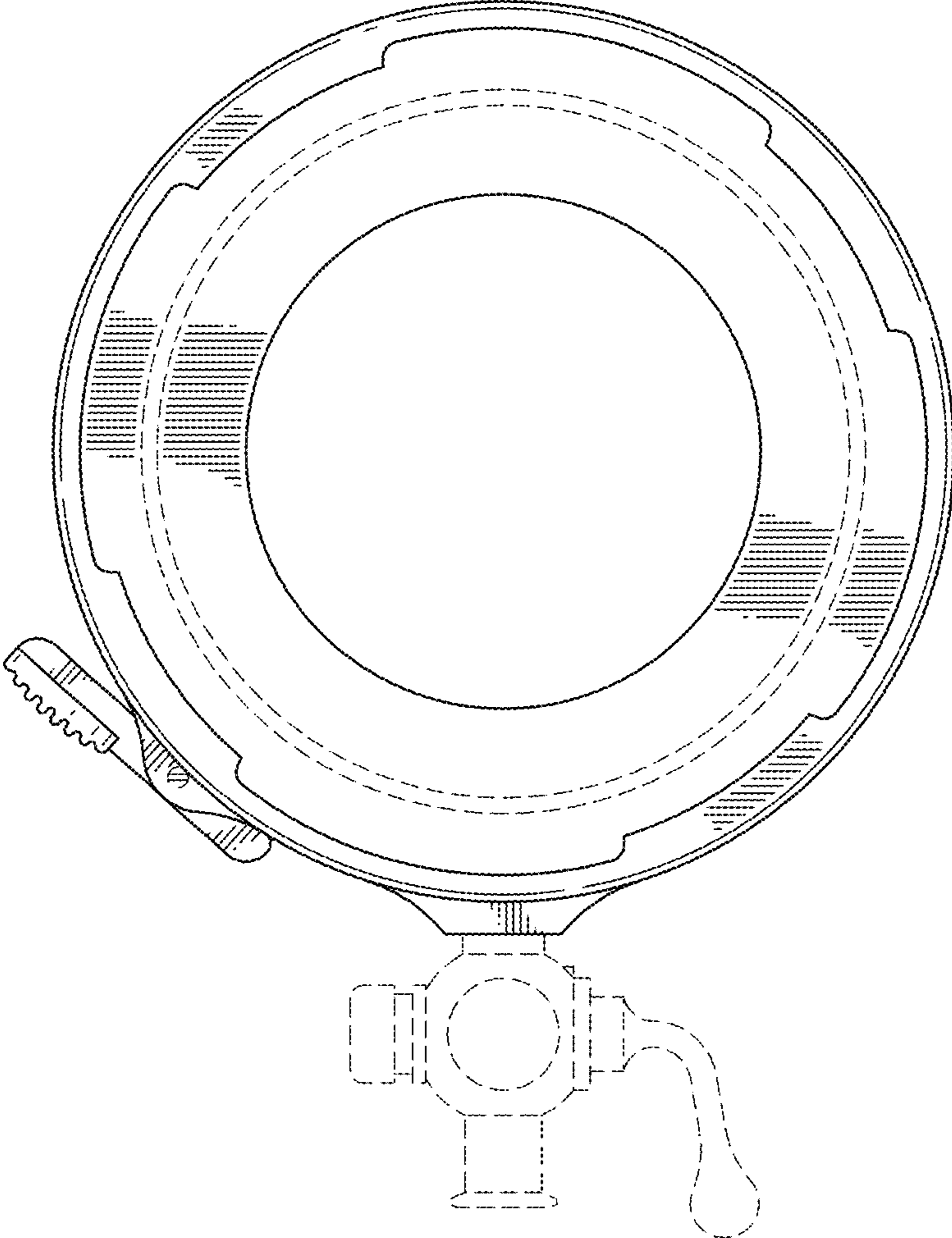


FIG.3

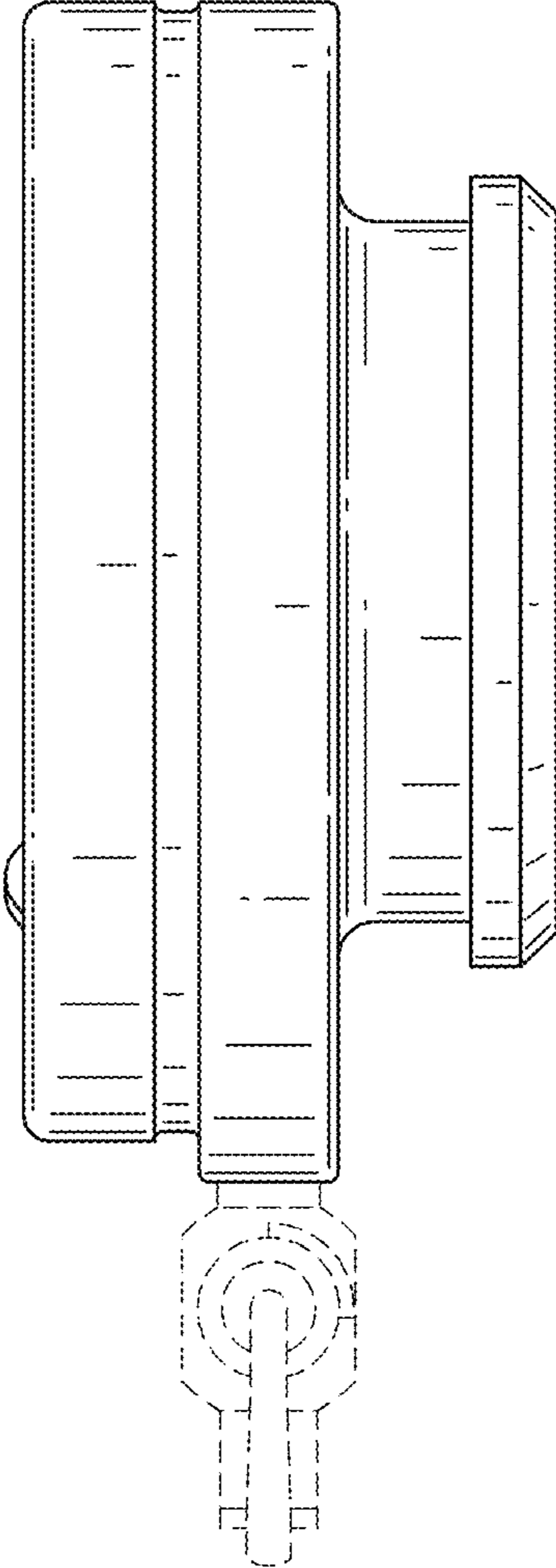


FIG.4

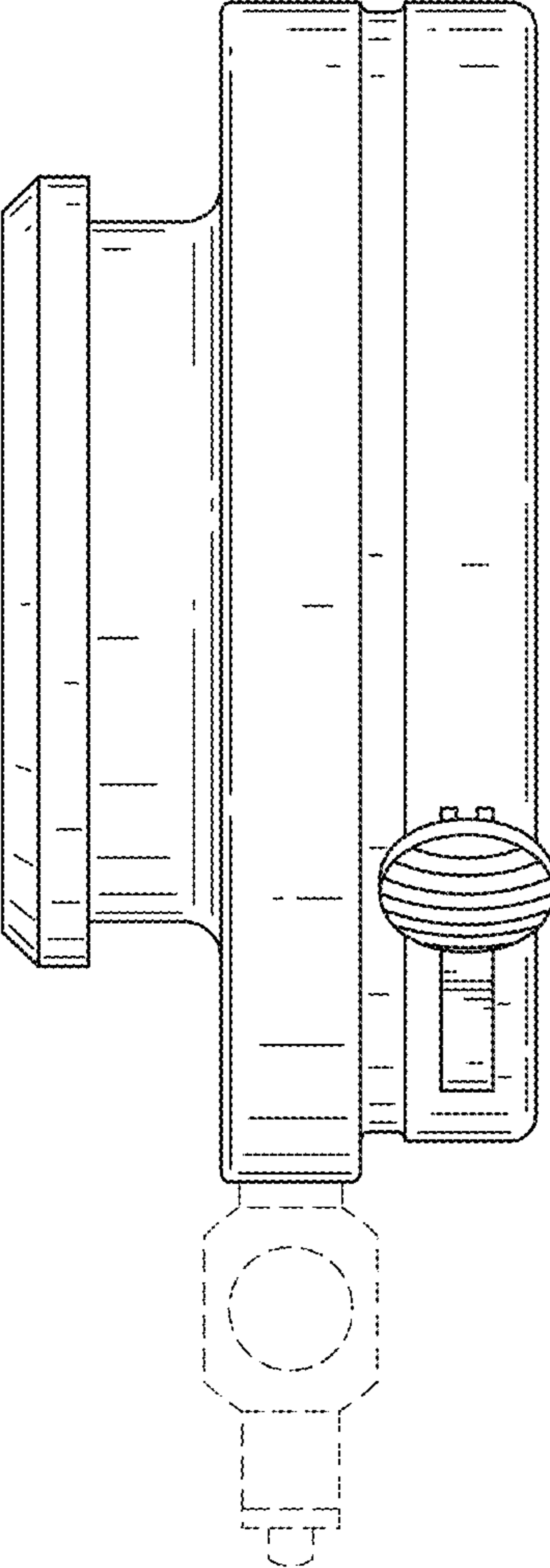


FIG.5

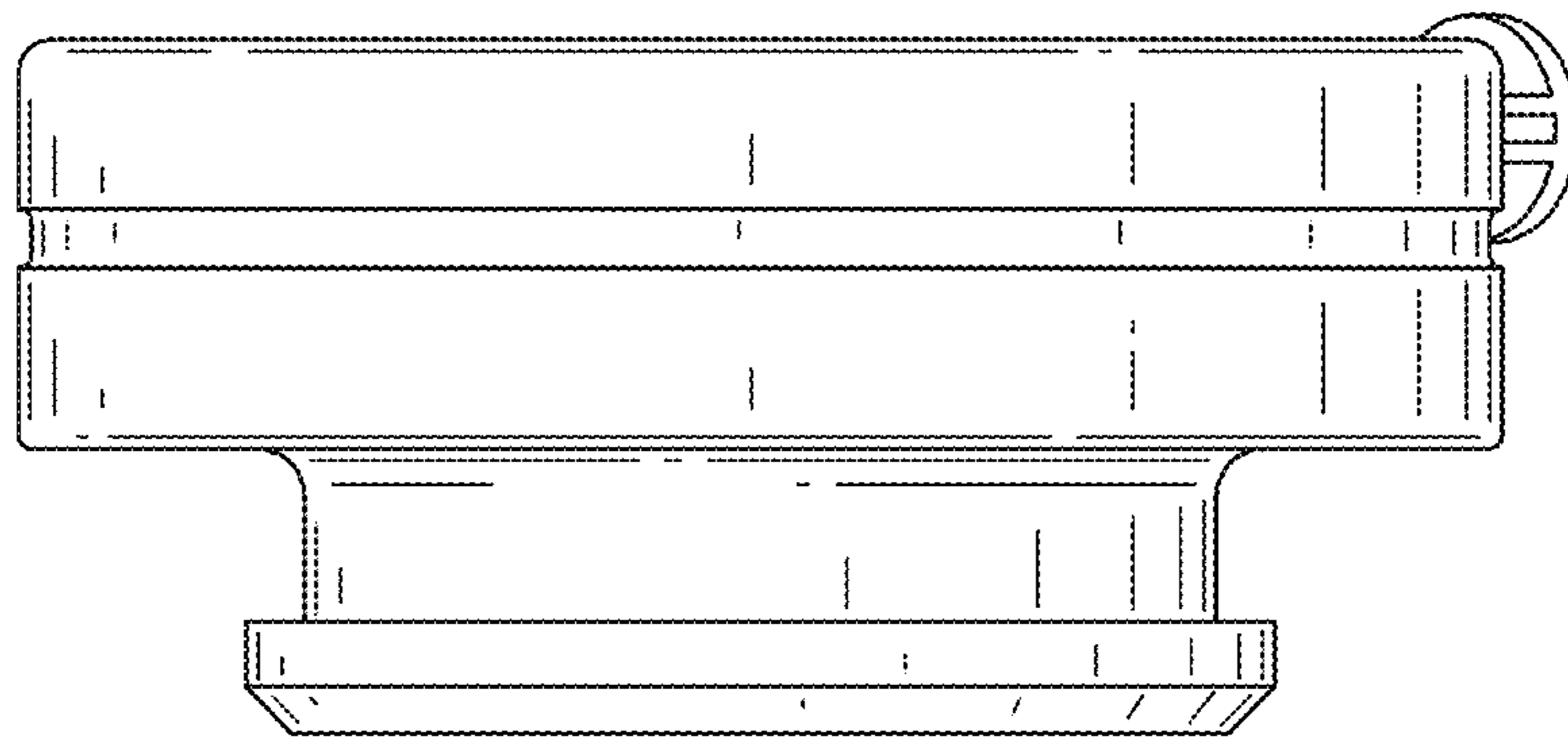


FIG.6

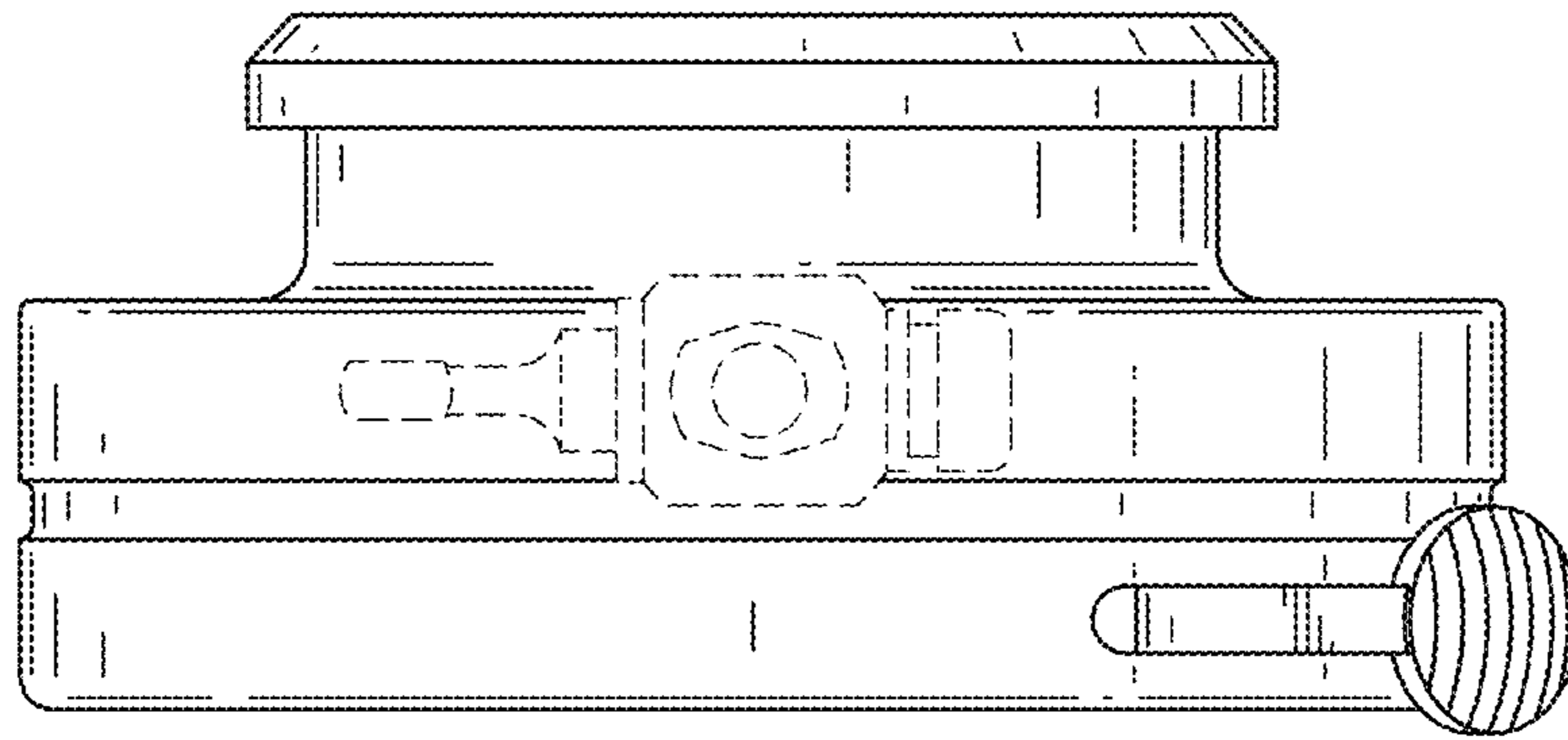


FIG.7