



US00D818112S

(12) **United States Design Patent**  
**Van Sickle et al.**

(10) **Patent No.:** **US D818,112 S**

(45) **Date of Patent:** **\*\* May 15, 2018**

(54) **USAGE MONITORING ATTACHMENT FOR A DRY POWDER INHALER**

(71) Applicant: **Reciprocal Labs Corporation**,  
Madison, WI (US)

(72) Inventors: **John David Van Sickle**, Oregon, WI (US); **Gregory F. Tracy**, Madison, WI (US); **Samuel A. Koblenski**, Madison, WI (US); **Justin Conrad Krosschell**, Sun Prairie, WI (US); **Benjamin J. Kopp**, Madison, WI (US); **Leah Morrell**, Madison, WI (US); **Amber Michelle Markey**, Madison, WI (US); **David Hubanks**, Madison, WI (US)

(73) Assignee: **RECIPROCAL LABS CORPORATION**, Madison, WI (US)

(\*\*) Term: **15 Years**

(21) Appl. No.: **29/581,528**

(22) Filed: **Oct. 19, 2016**

(51) **LOC (11) Cl.** ..... **29-02**

(52) **U.S. Cl.**  
USPC ..... **D24/110; D24/127**

(58) **Field of Classification Search**  
USPC ..... D24/107, 108, 110, 110.1, 110.4, 110.5, D24/127, 164; D29/108  
CPC ..... A61M 15/0085; A61M 15/0005; A61M 11/005; A61M 11/00; A61M 11/02; A61M 11/04; A61M 5/087; A61M 5/0871; A61M 5/091; A61M 5/097; A61M 15/00; A61M 15/0065; A61M 15/0091; A61M 15/0021; A61M 15/0026; A61M 15/008; A61M 15/007; A63B 23/18

See application file for complete search history.

(56) **References Cited**

U.S. PATENT DOCUMENTS

D182,860 S \* 5/1958 Szajna ..... D24/110  
D613,848 S \* 4/2010 Harvey ..... D24/110

(Continued)

*Primary Examiner* — Karen E Kearney

*Assistant Examiner* — Aula Soroush

(74) *Attorney, Agent, or Firm* — Fenwick & West LLP

(57) **CLAIM**

We claim the ornamental design for a usage monitoring attachment for a dry powder inhaler, as shown and described.

**DESCRIPTION**

FIG. 1 is a front, top, left perspective view of a usage monitoring attachment for a dry powder inhaler showing our new design.

FIG. 2 is a rear, bottom, right perspective view of the usage monitoring attachment for a dry powder inhaler.

FIG. 3 is a front view of the usage monitoring attachment for a dry powder inhaler.

FIG. 4 is a rear view of the usage monitoring attachment for a dry powder inhaler.

FIG. 5 is a left side view of the usage monitoring attachment for a dry powder inhaler.

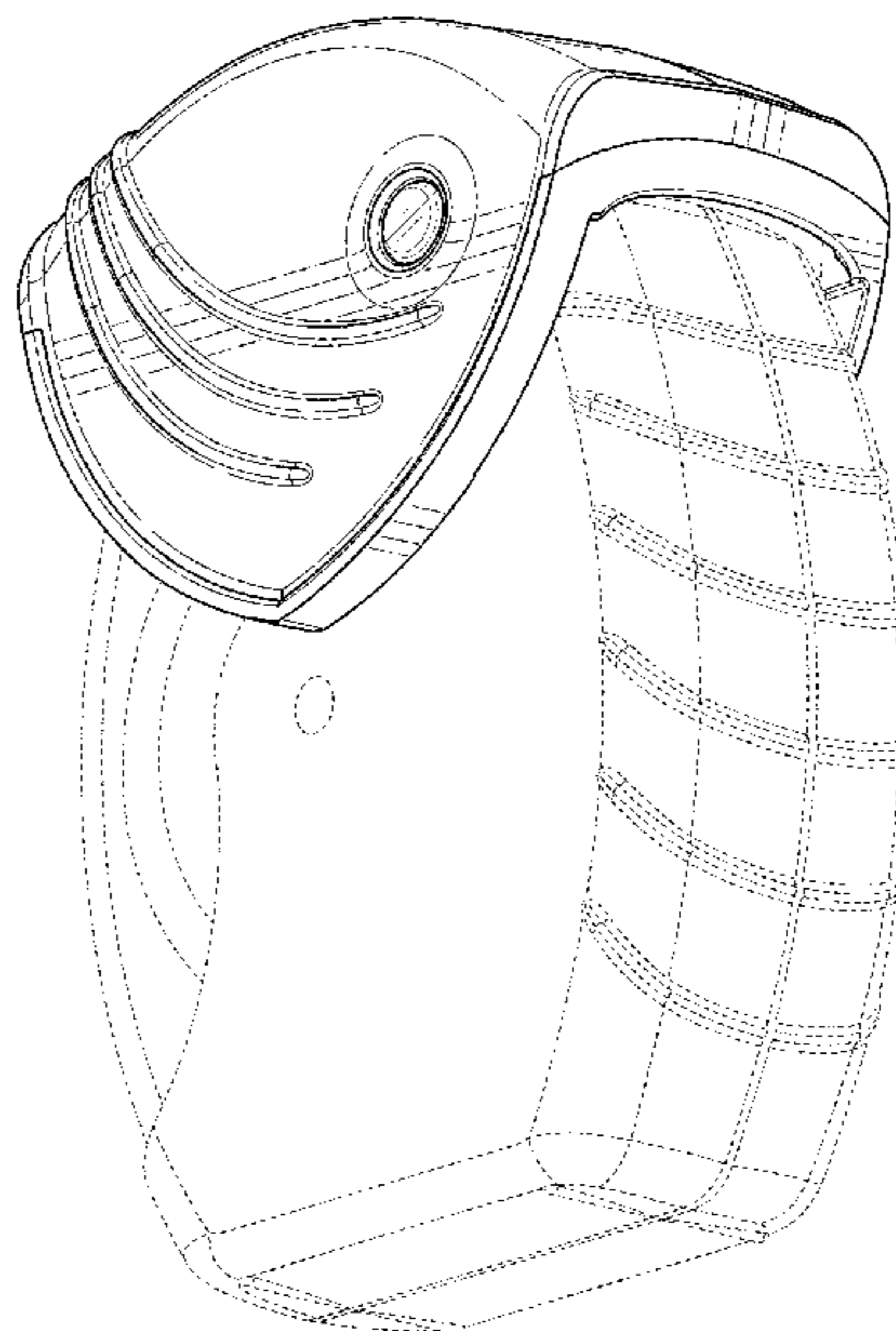
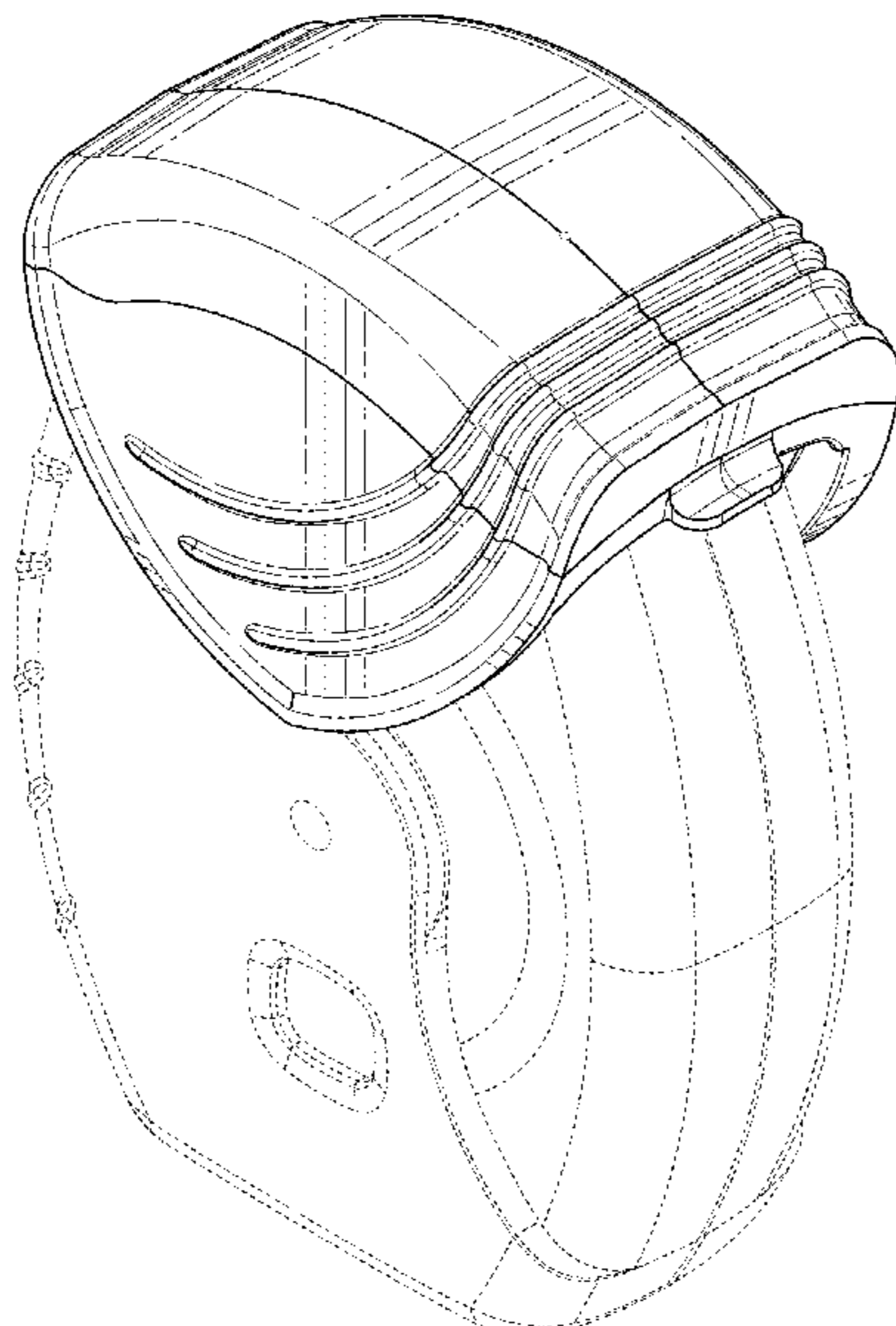
FIG. 6 is a right side view of the usage monitoring attachment for a dry powder inhaler.

FIG. 7 is a top view of the usage monitoring attachment for a dry powder inhaler; and,

FIG. 8 is a bottom view of the usage monitoring attachment for a dry powder inhaler.

Broken lines shown in the drawings illustrate environment and form no part of the claimed design.

**1 Claim, 8 Drawing Sheets**



(56)

**References Cited**

U.S. PATENT DOCUMENTS

D637,280	S	*	5/2011	Harvey	.....	D24/110
D637,281	S	*	5/2011	Harvey	.....	D24/110
D637,282	S	*	5/2011	Harvey	.....	D24/110
D733,287	S	*	6/2015	Bilgic	.....	D24/110
D768,241	S	*	10/2016	Bull	.....	D20/22
D774,178	S	*	12/2016	Van Sickle	.....	D24/110
D777,904	S	*	1/2017	Van Sickle	.....	D24/110
2008/0196718	A1	*	8/2008	Connell	.....	A61M 15/0045 128/203.15
2008/0308102	A1	*	12/2008	Davies	.....	A61M 15/0045 128/203.15

\* cited by examiner

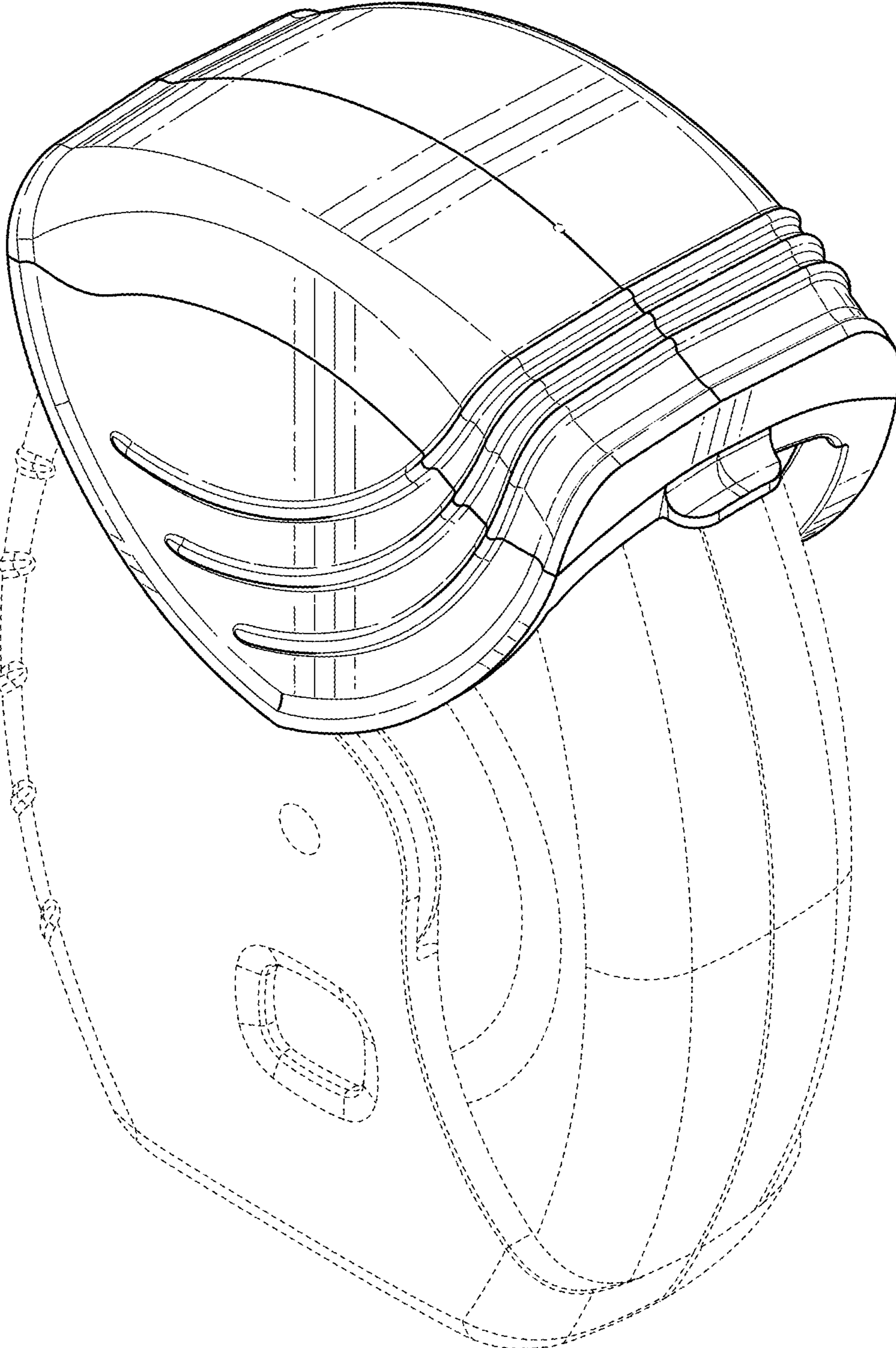


FIG. 1



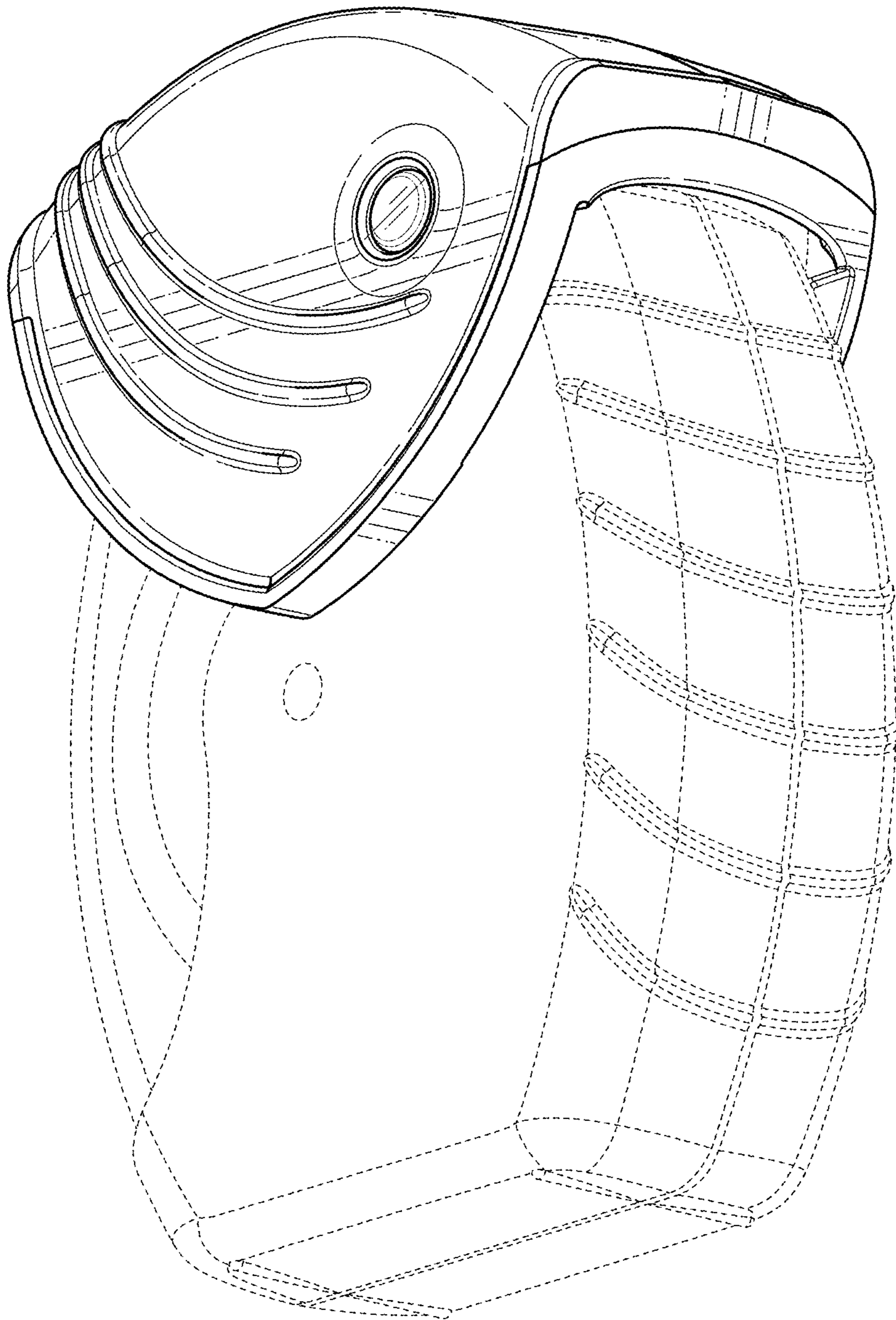


FIG. 2

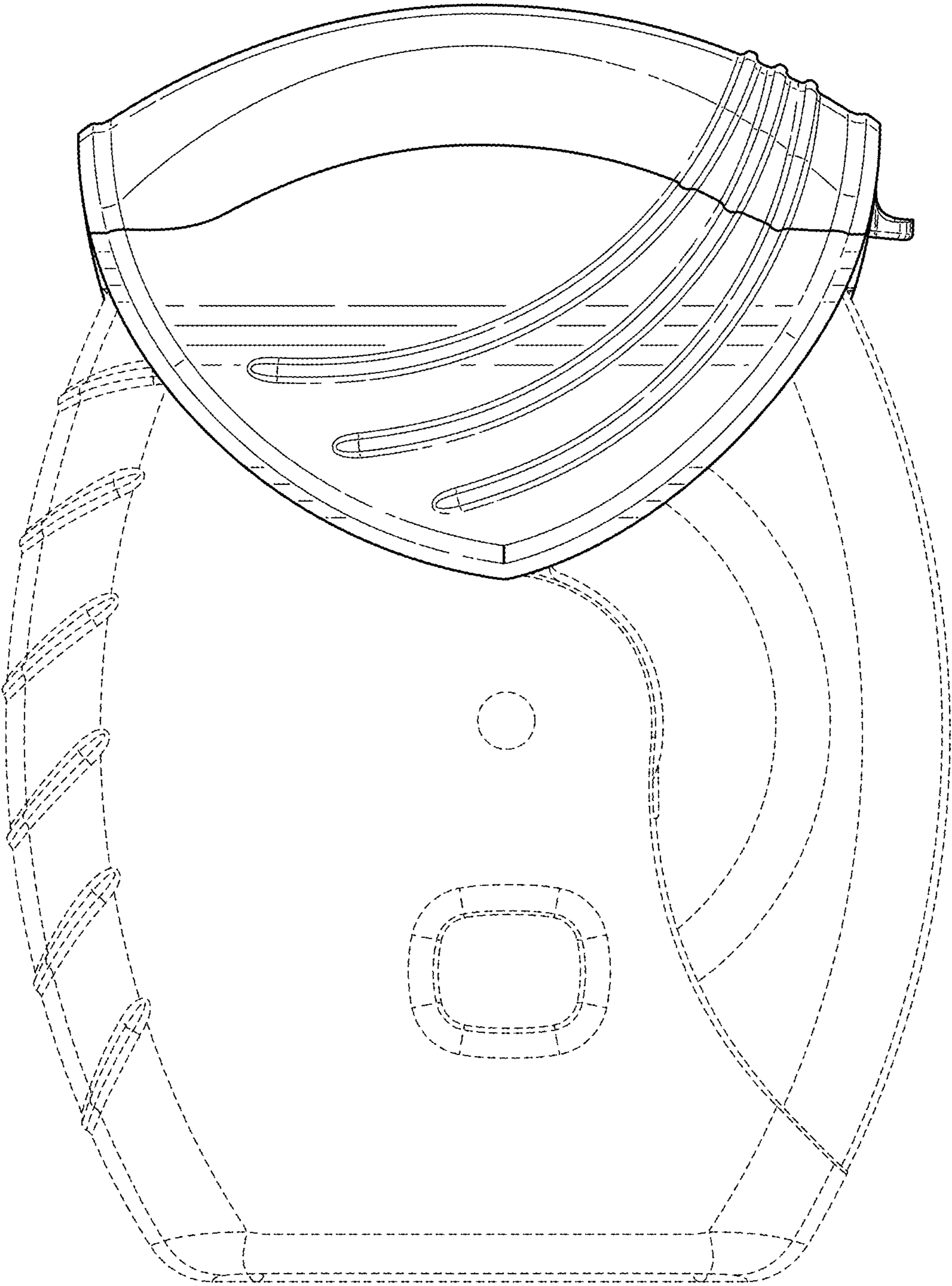


FIG. 3

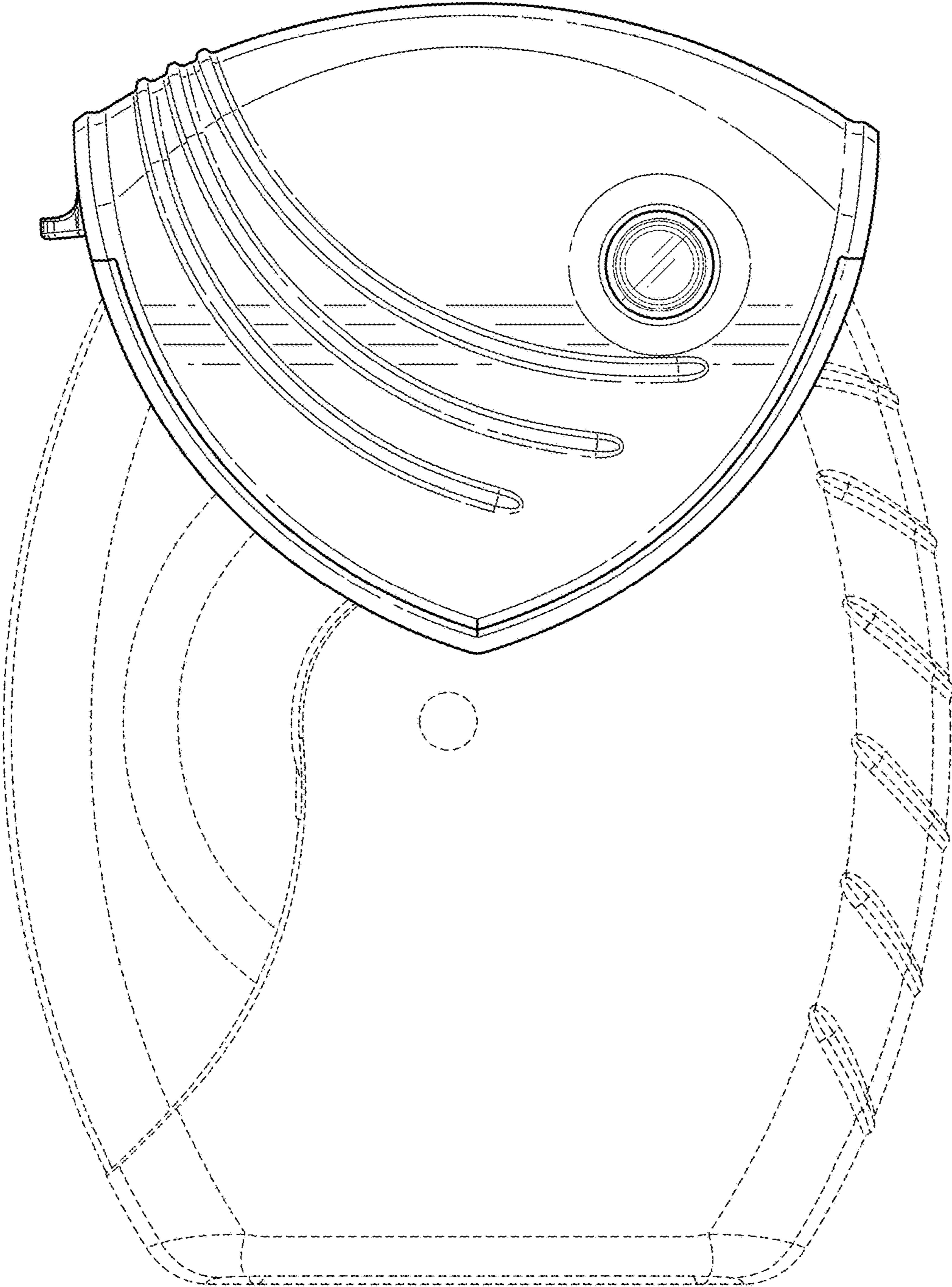


FIG. 4

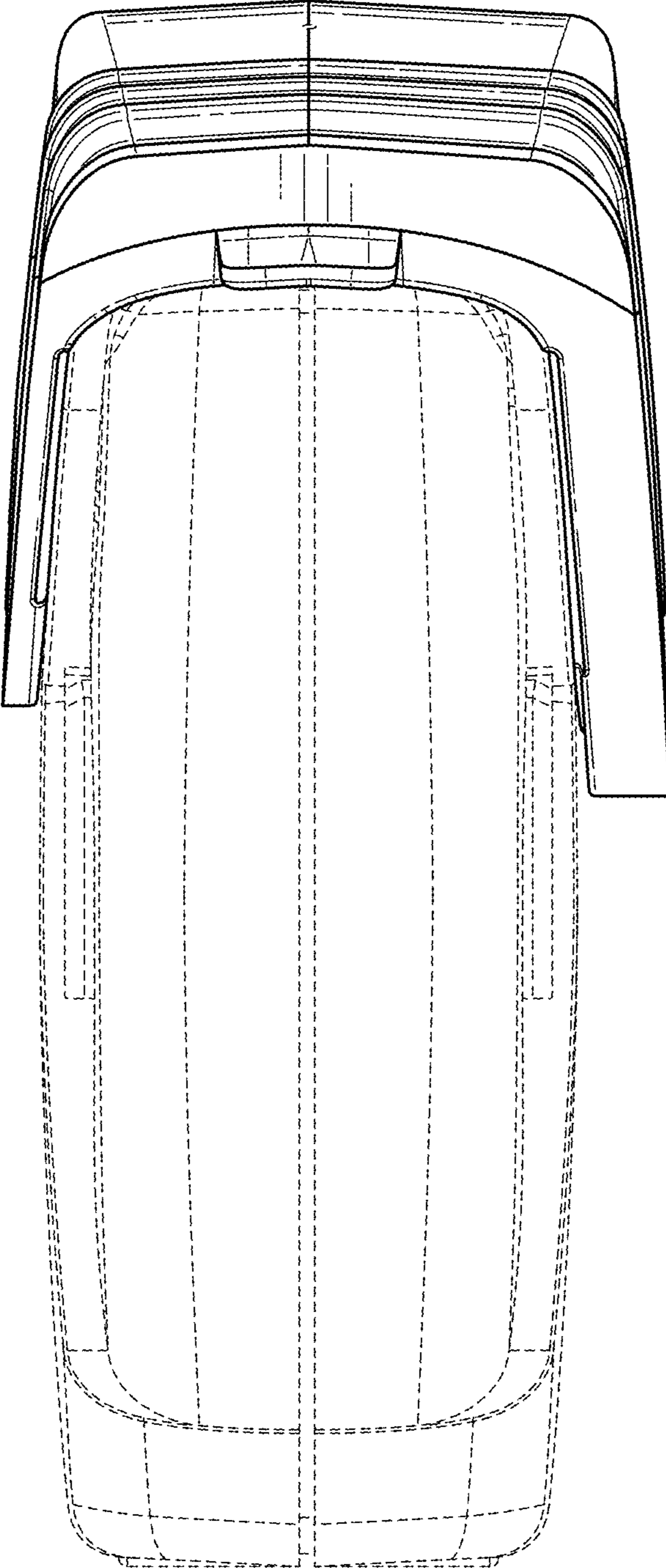


FIG. 5



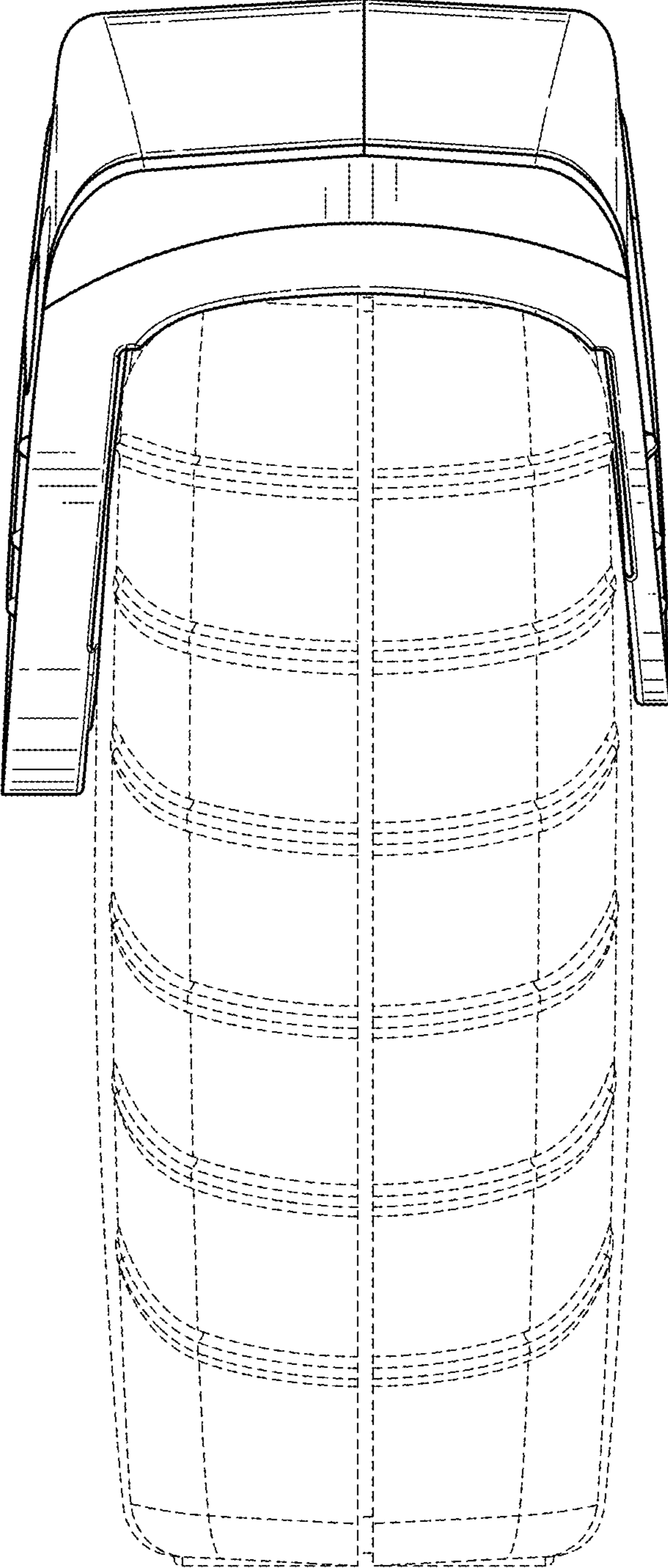


FIG. 6



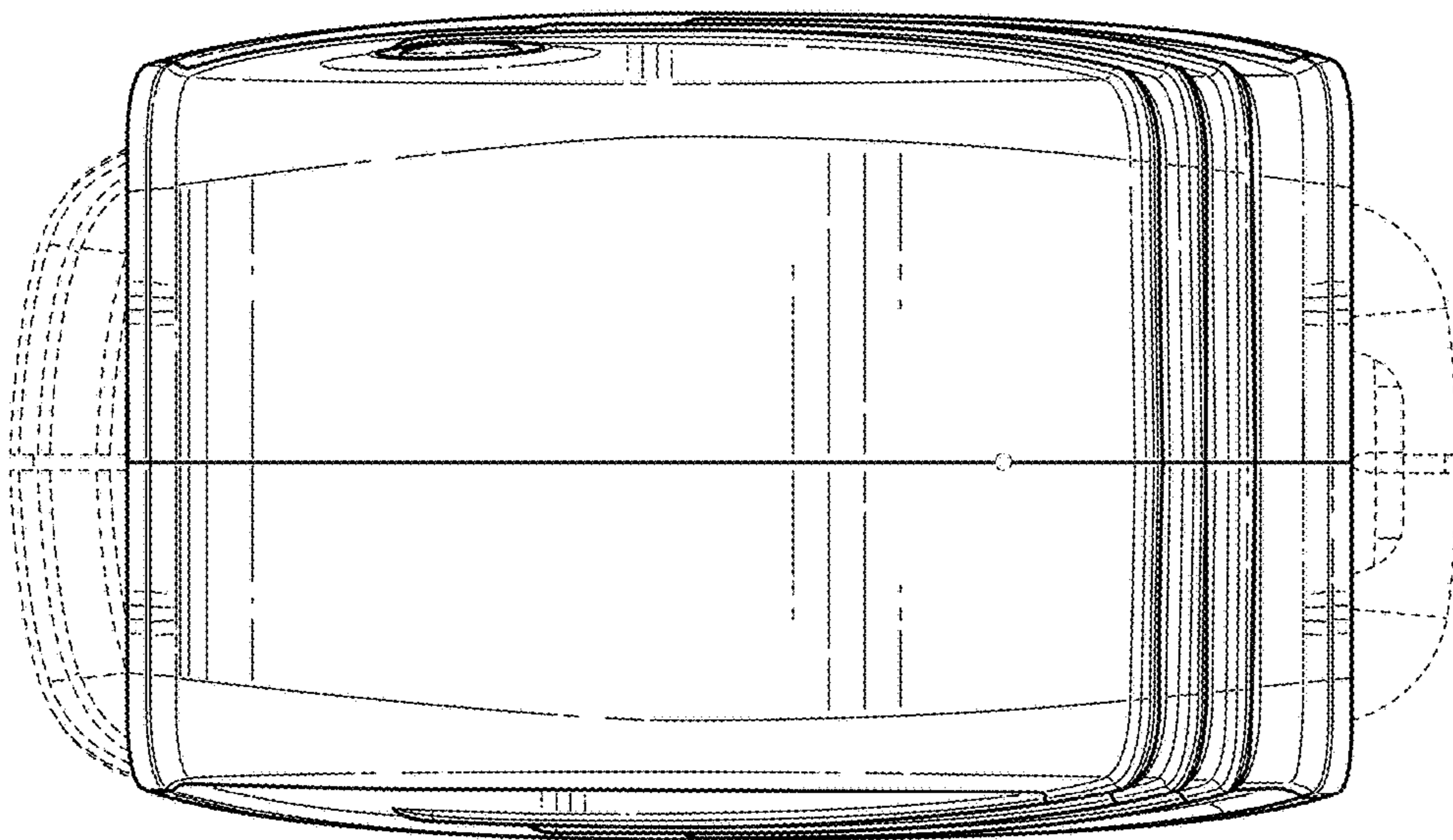


FIG. 7

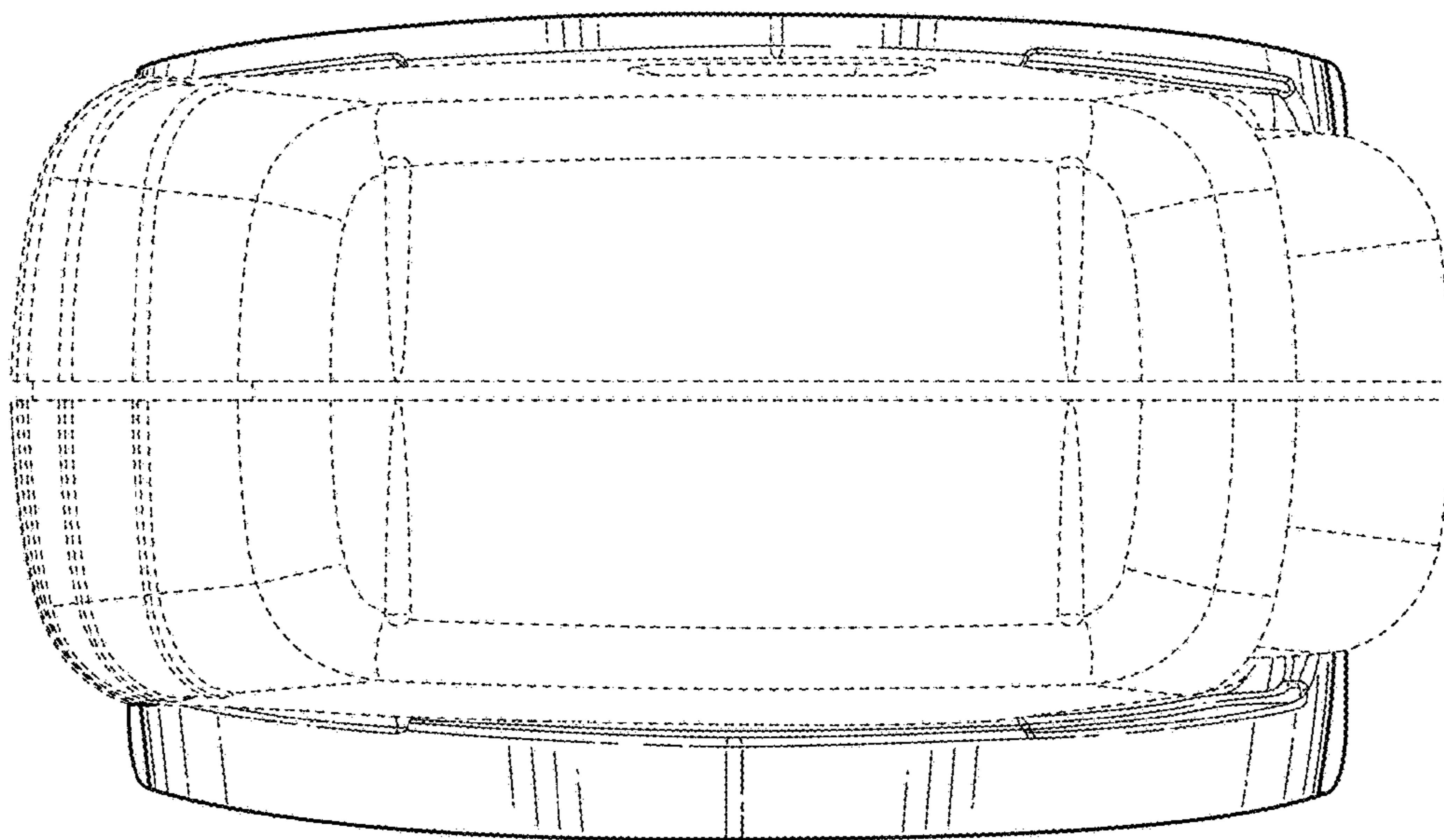


FIG. 8