



US00D818110S

(12) **United States Design Patent**
Ediger et al.

(10) **Patent No.:** **US D818,110 S**

(45) **Date of Patent:** **** May 15, 2018**

(54) **FAN BASE**

(71) Applicant: **VORNADO AIR LLC**, Andover, KS
(US)

(72) Inventors: **Glen W. Ediger**, North Newton, KS
(US); **Gary Israel**, Andover, KS (US);
Brian M. Cartwright, Wichita, KS
(US)

(73) Assignee: **VORNADO AIR LLC**, Andover, KS
(US)

(**) Term: **15 Years**

(21) Appl. No.: **29/583,311**

(22) Filed: **Nov. 3, 2016**

(51) **LOC (11) Cl.** **23-04**

(52) **U.S. Cl.**
USPC **D23/411**

(58) **Field of Classification Search**
USPC D23/370-379, 381-385, 411-414, 360,
D23/314, 335, 332; D26/59, 106, 61-65,
D26/104; D32/15

CPC F04D 5/00; F04D 27/00; F04D 29/329;
F24H 3/04

See application file for complete search history.

(56) **References Cited**

U.S. PATENT DOCUMENTS

D115,344 S *	6/1939	Chapman	D23/411
D154,703 S *	8/1949	Phillips	416/244 R
D172,514 S *	6/1954	Podall	D23/378
D184,316 S *	1/1959	Krauss	D23/378
3,244,124 A *	4/1966	Schafer	A47B 13/00

108/12

D207,280 S *	3/1967	De La Marter	D23/412
D209,935 S *	1/1968	Dean	D23/378
D358,639 S *	5/1995	Chiu	D13/162
D413,664 S *	9/1999	Keller	D23/381
D424,678 S *	5/2000	Holmgren	D23/371
D444,552 S *	7/2001	Wang	D23/382
D559,380 S *	1/2008	Shapiro	D23/411
D559,381 S *	1/2008	Shapiro	D23/411
D570,469 S *	6/2008	Hsu	D23/411
D610,673 S *	2/2010	Sterpka	D23/411
D632,777 S *	2/2011	Sterpka	D23/411
D650,893 S *	12/2011	Fizer	D23/378
D676,953 S *	2/2013	Hollan	D23/378
D686,309 S *	7/2013	Kokawa	D23/382
D791,927 S *	7/2017	Cartwright	D23/370
2017/0181528 A1 *	6/2017	Zimmerman	A45D 42/10

* cited by examiner

Primary Examiner — Janice Hallmark

(74) *Attorney, Agent, or Firm* — Milligan PC LLO

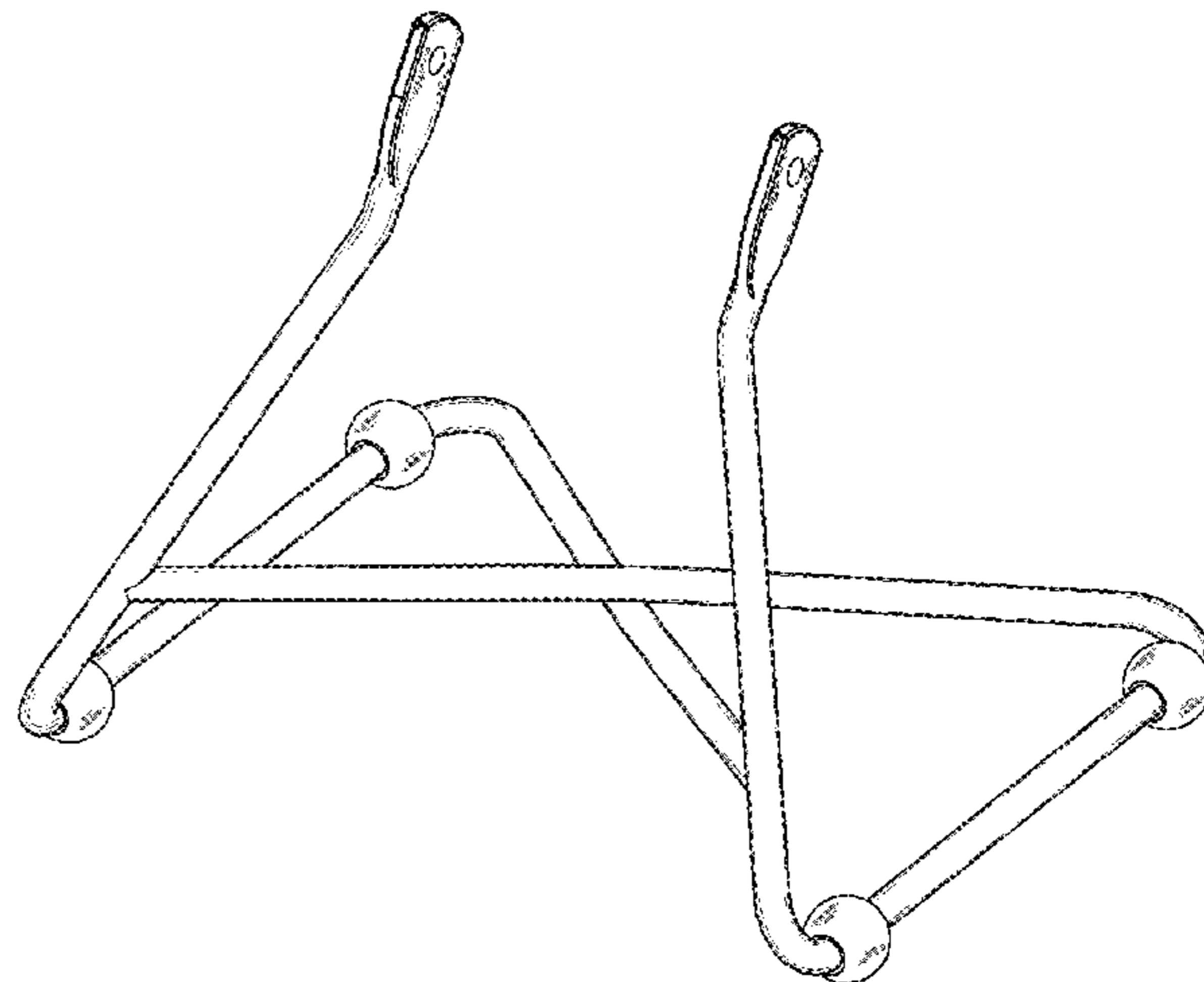
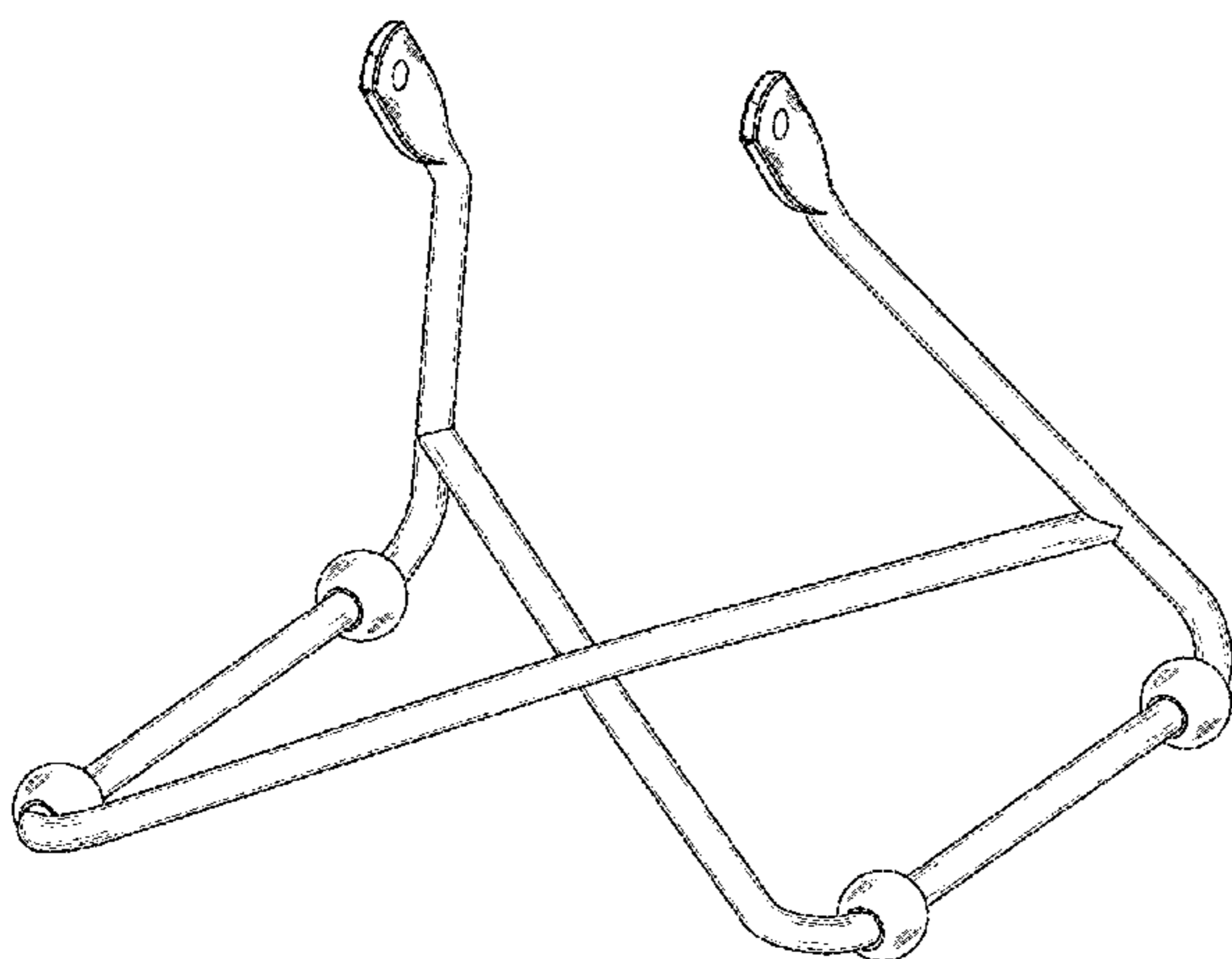
(57) **CLAIM**

The ornamental design for a fan base, as shown and described.

DESCRIPTION

FIG. 1 is a front, right, top perspective view of the fan base; FIG. 2 is a front elevation view of the fan base of FIG. 1; FIG. 3 is a rear elevation view of the fan base of FIG. 1; FIG. 4 is a top elevation view of the fan base of FIG. 1; FIG. 5 is a bottom elevation view of the fan base of FIG. 1; FIG. 6 is a left side elevation view of the fan base of FIG. 1; FIG. 7 is a right side elevation view of the fan base of FIG. 1; and, FIG. 8 is a rear, left, top perspective view of the fan base of FIG. 1.

1 Claim, 7 Drawing Sheets



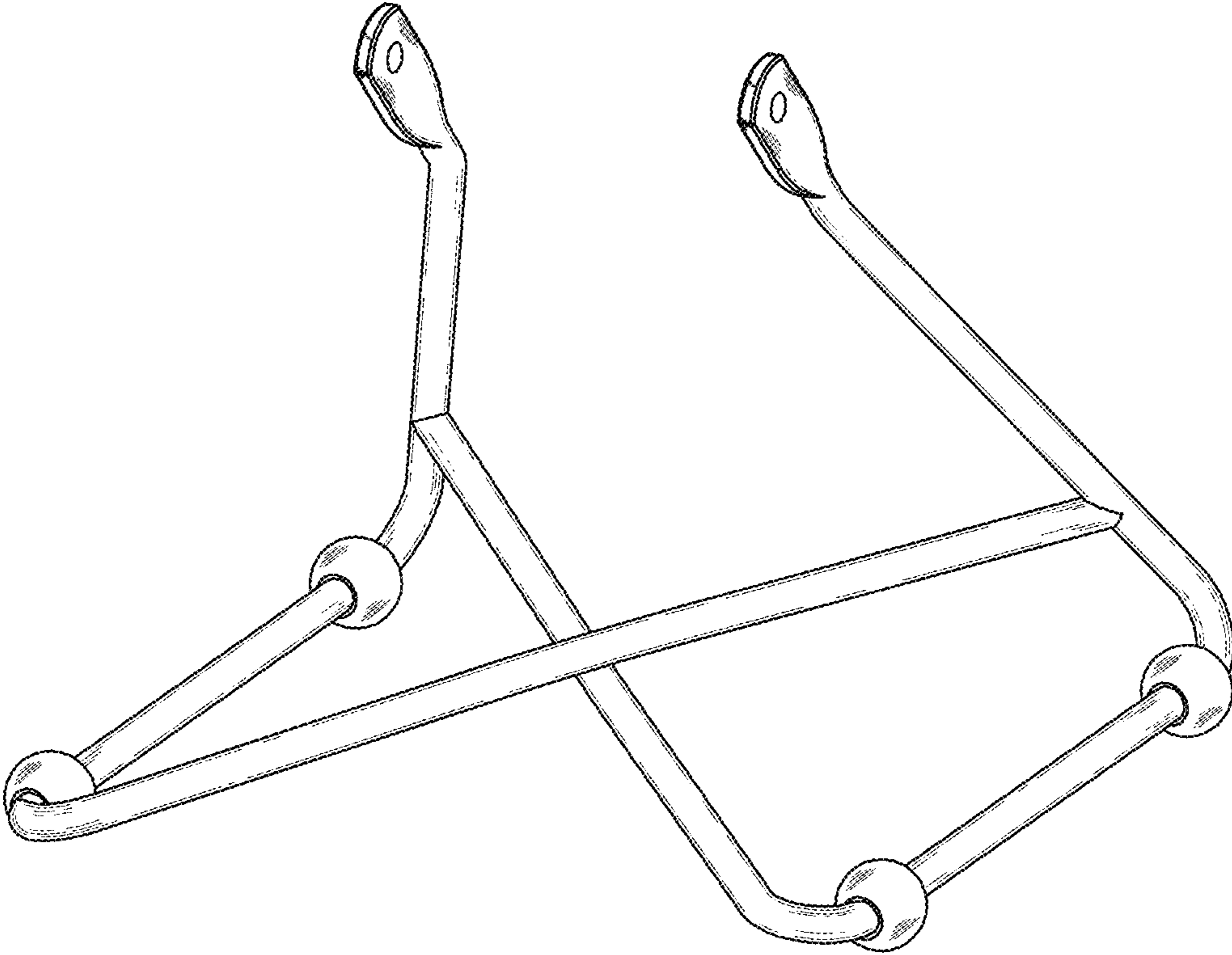


FIG. 1

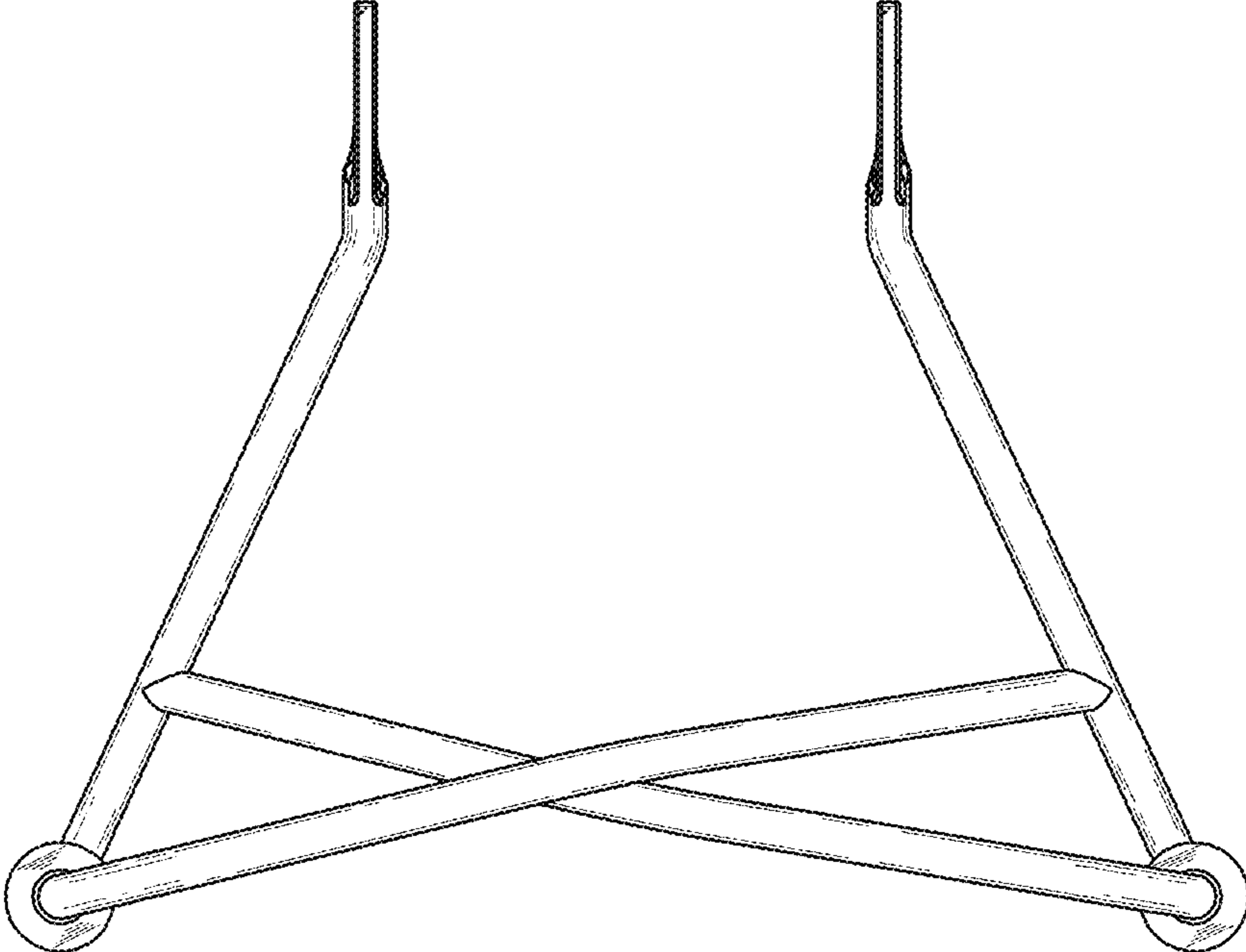


FIG. 2

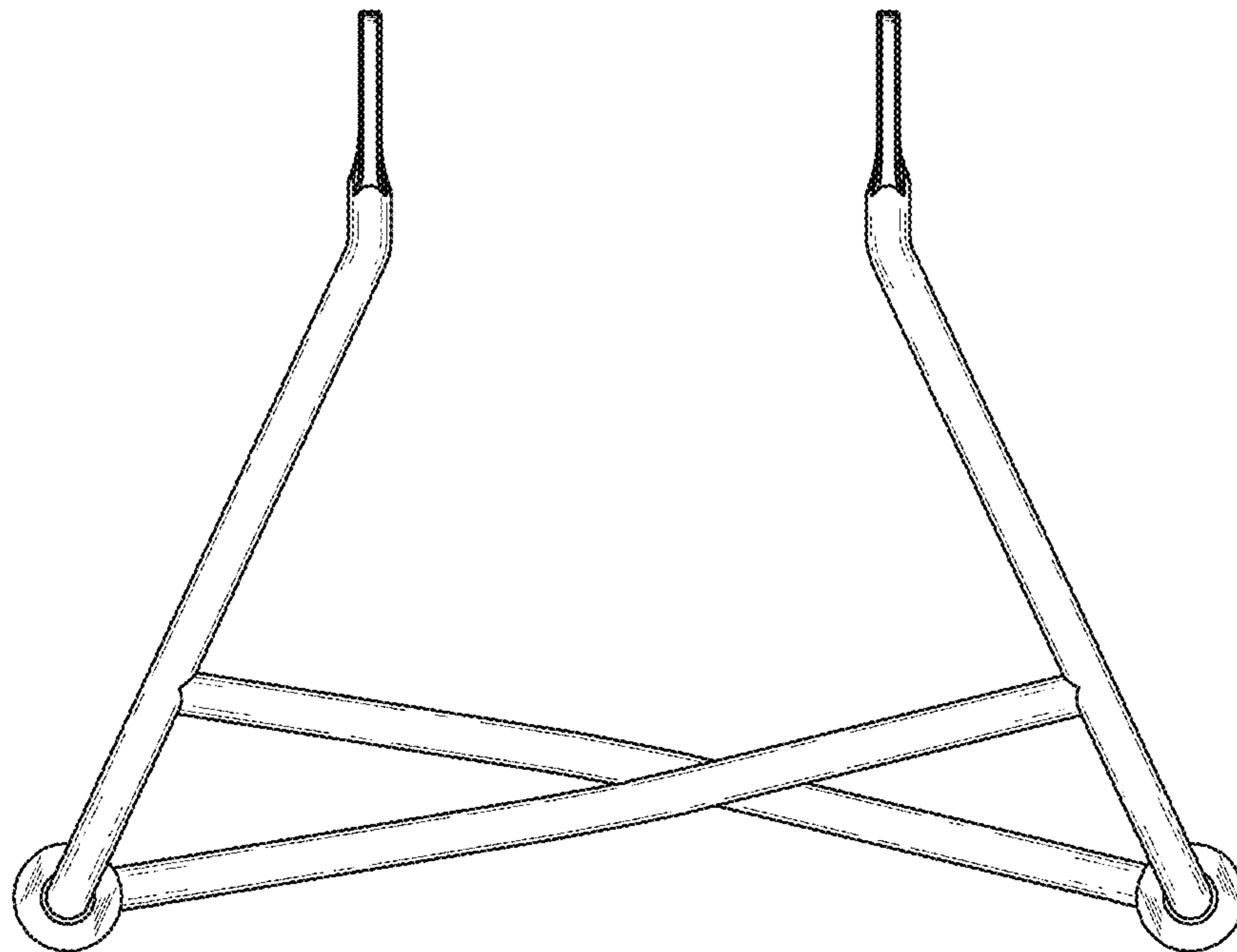


FIG. 3

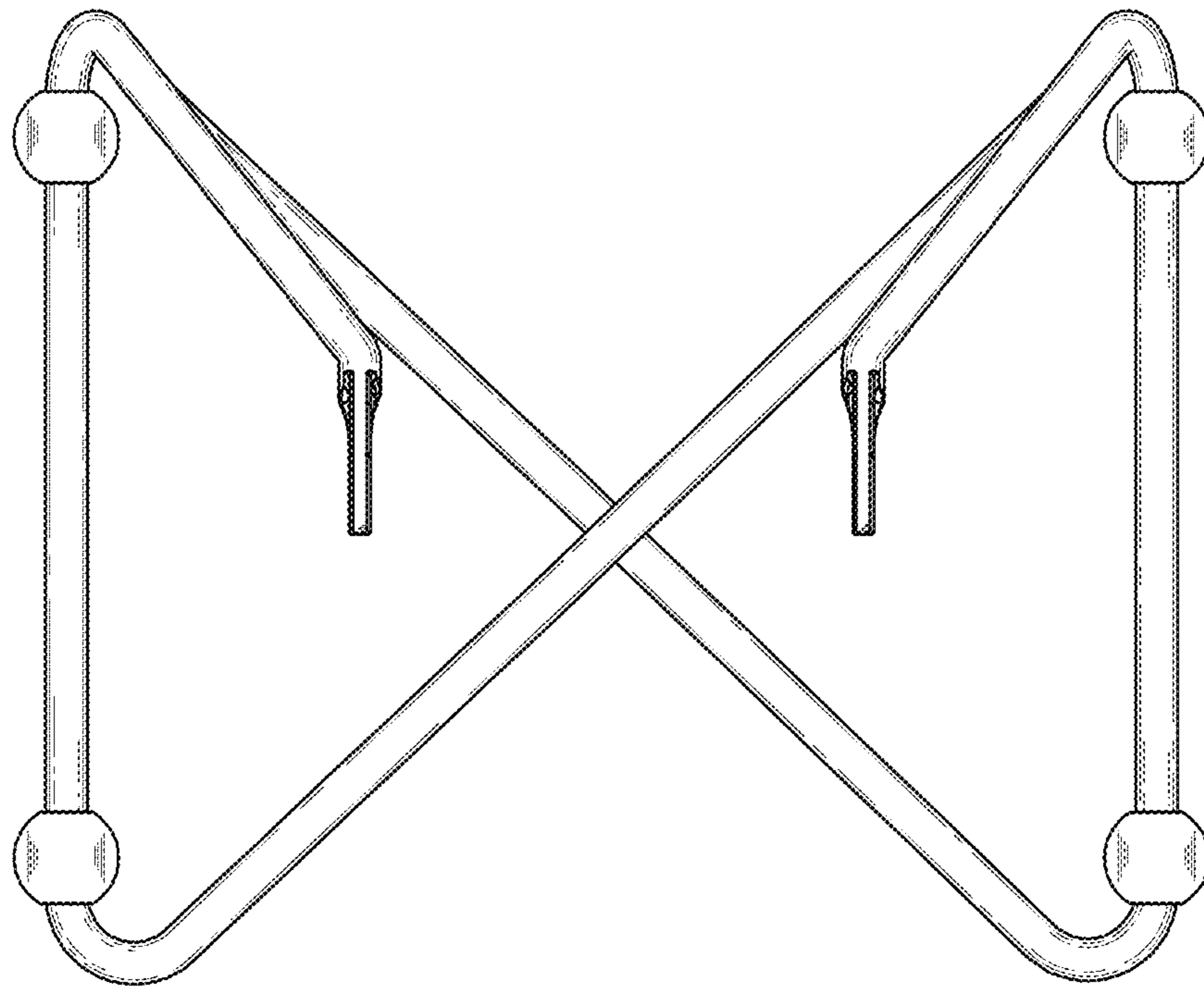


FIG. 4

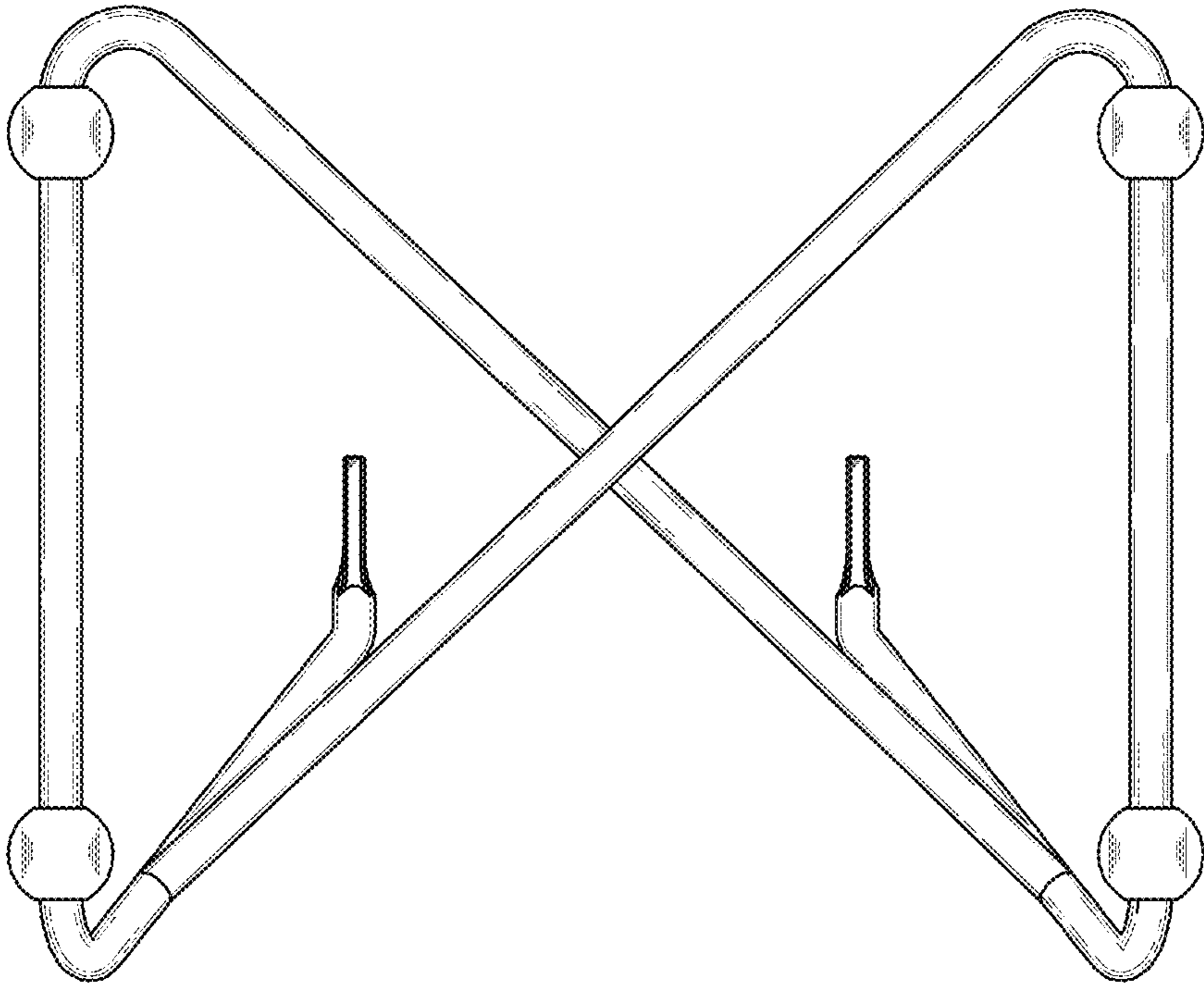


FIG. 5

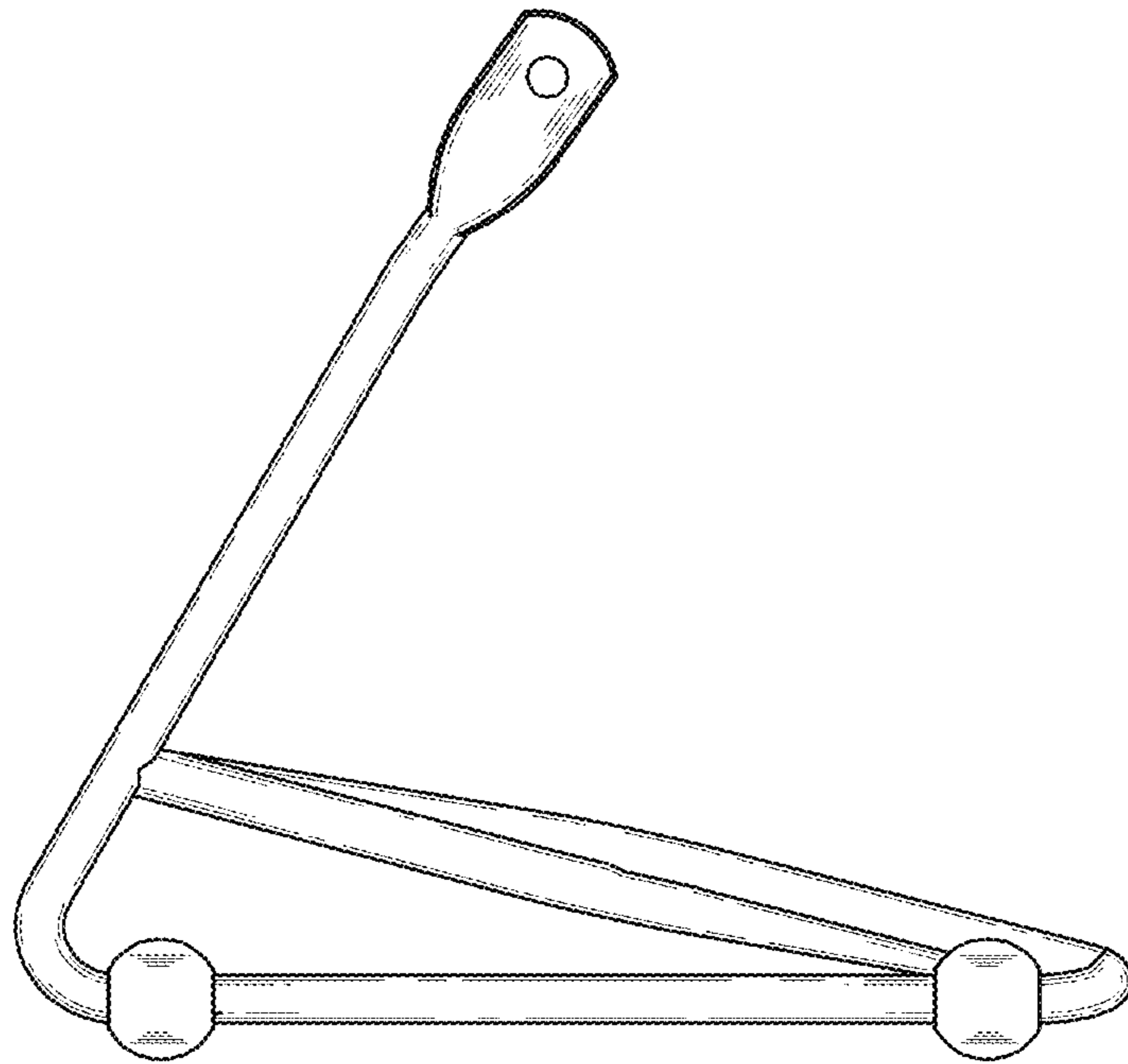


FIG. 6

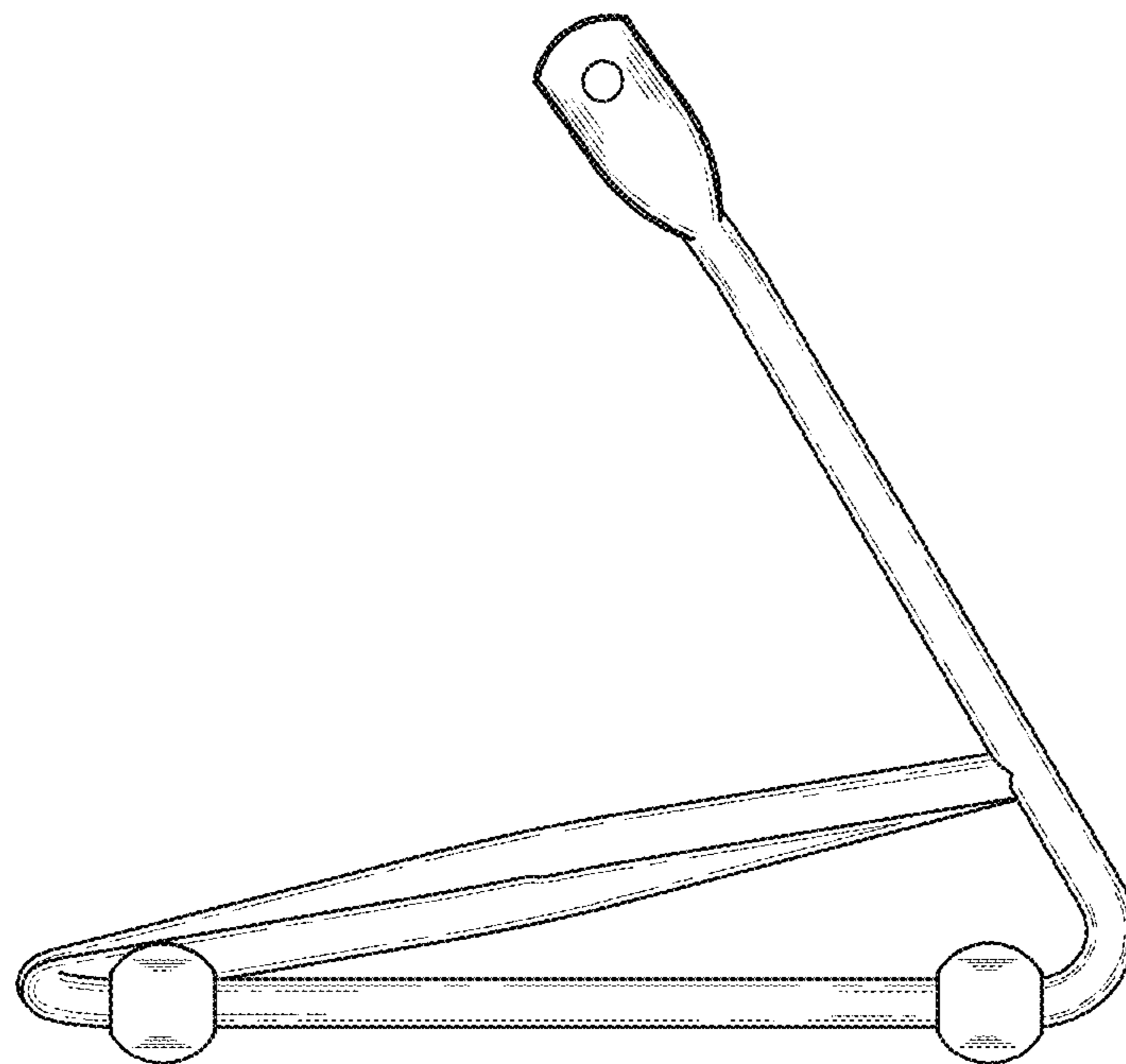


FIG. 7

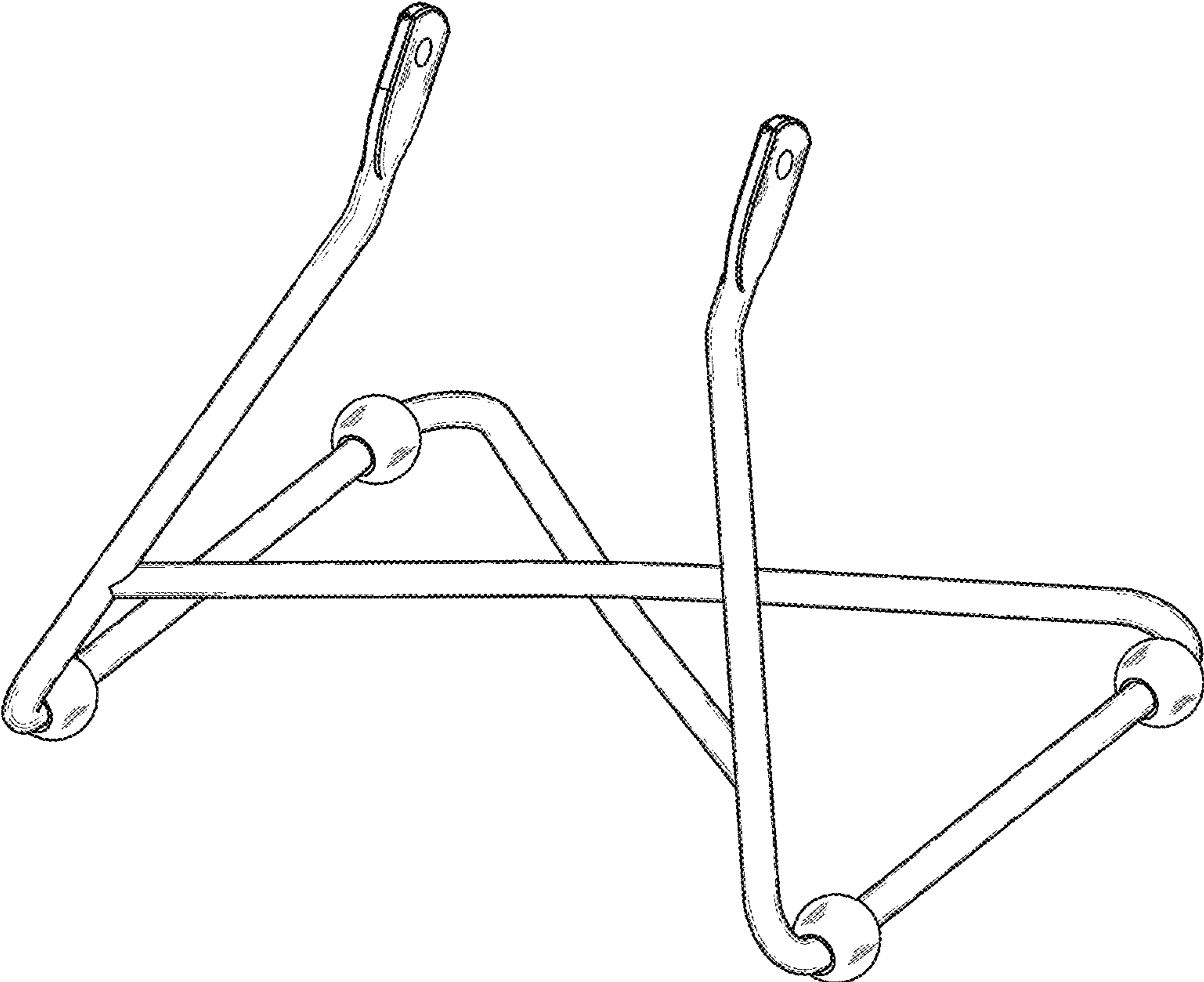


FIG. 8