



US00D818109S

(12) **United States Design Patent**
Junkel et al.

(10) **Patent No.:** **US D818,109 S**
(45) **Date of Patent:** **** May 15, 2018**

- (54) **FAN**
- (71) Applicant: **O2COOL, LLC**, Chicago, IL (US)
- (72) Inventors: **Eric F. Junkel**, Mount Prospect, IL (US); **Michael Ksiazek**, Burr Ridge, IL (US); **Oliver Breit**, Discovery Bay (HK); **Lars Junker**, Kowloon (HK)
- (73) Assignee: **O2COOL, LLC**, Chicago, IL (US)
- (**) Term: **15 Years**
- (21) Appl. No.: **29/596,604**
- (22) Filed: **Mar. 9, 2017**
- (51) **LOC (11) Cl.** **23-04**
- (52) **U.S. Cl.**
USPC **D23/382**
- (58) **Field of Classification Search**
USPC D23/370-379, 381-385, 411-414, 360,
D23/314, 335, 332; D26/59, 106, 61-65,
D26/104; D32/15
CPC F04D 5/00; F04D 27/00; F24H 3/04
See application file for complete search history.

(56) **References Cited**

U.S. PATENT DOCUMENTS

- D295,070 S * 4/1988 Shin-Chin D23/382
- 4,799,858 A * 1/1989 Shin-Chin F04D 29/646
248/231.51

- 5,725,356 A * 3/1998 Carter F04D 25/08
416/240
- D441,444 S * 5/2001 Shapiro D23/382
- D669,976 S * 10/2012 Hsu D23/382
- D676,535 S * 2/2013 Barrett D23/328
- D770,033 S * 10/2016 Ksiazek D23/411
- D799,022 S * 10/2017 Ksiazek D23/411

* cited by examiner

Primary Examiner — Janice Hallmark

(74) *Attorney, Agent, or Firm* — Thompson Coburn LLP;
Alan H. Norman

(57) **CLAIM**

The ornamental design for a fan, as shown and described.

DESCRIPTION

FIG. 1 is a first perspective view of the fan showing our new design;

FIG. 2 is a front view of the fan;

FIG. 3 is a rear view thereof;

FIG. 4 is a right side view thereof;

FIG. 5 is a left side view thereof;

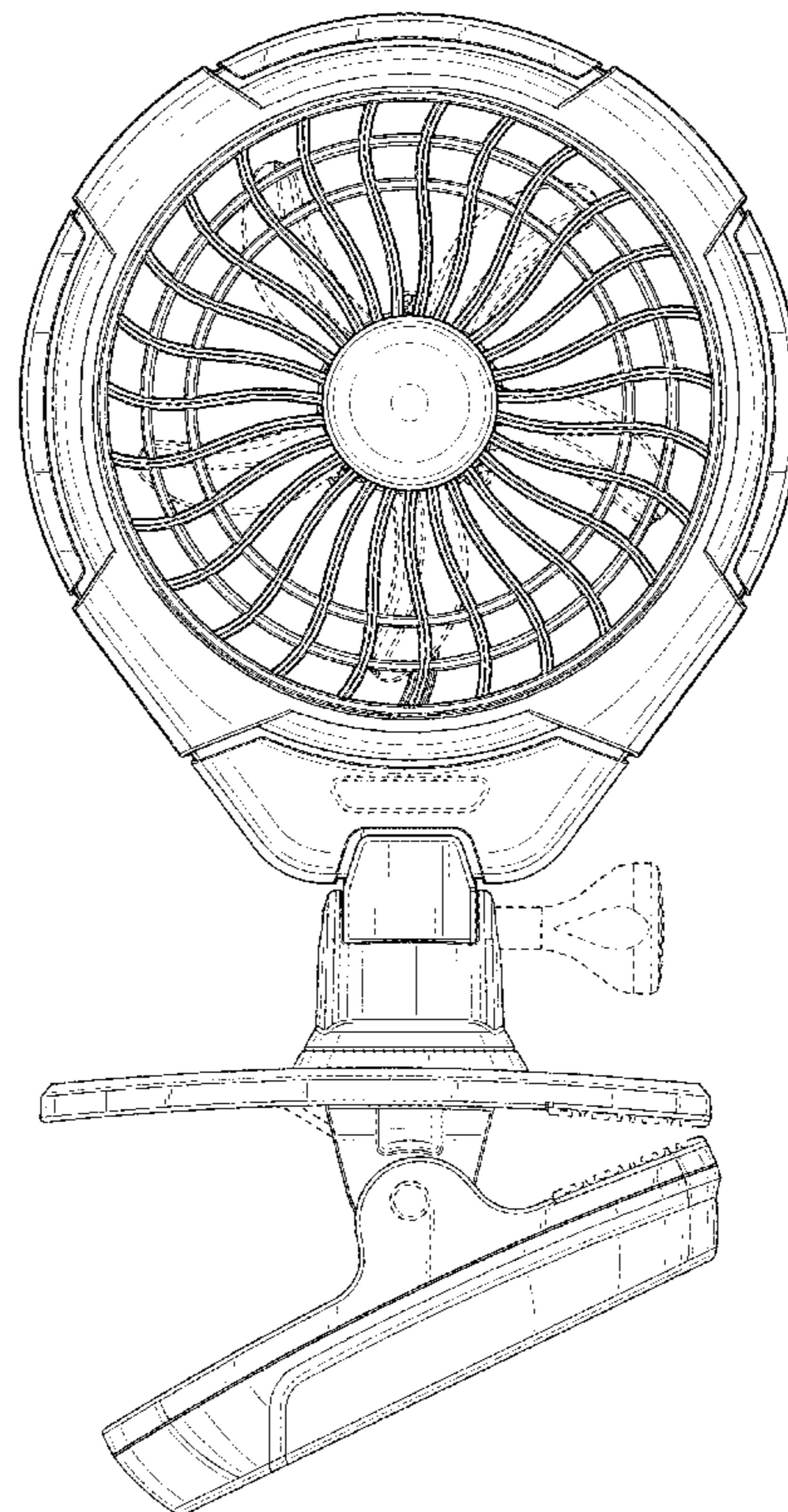
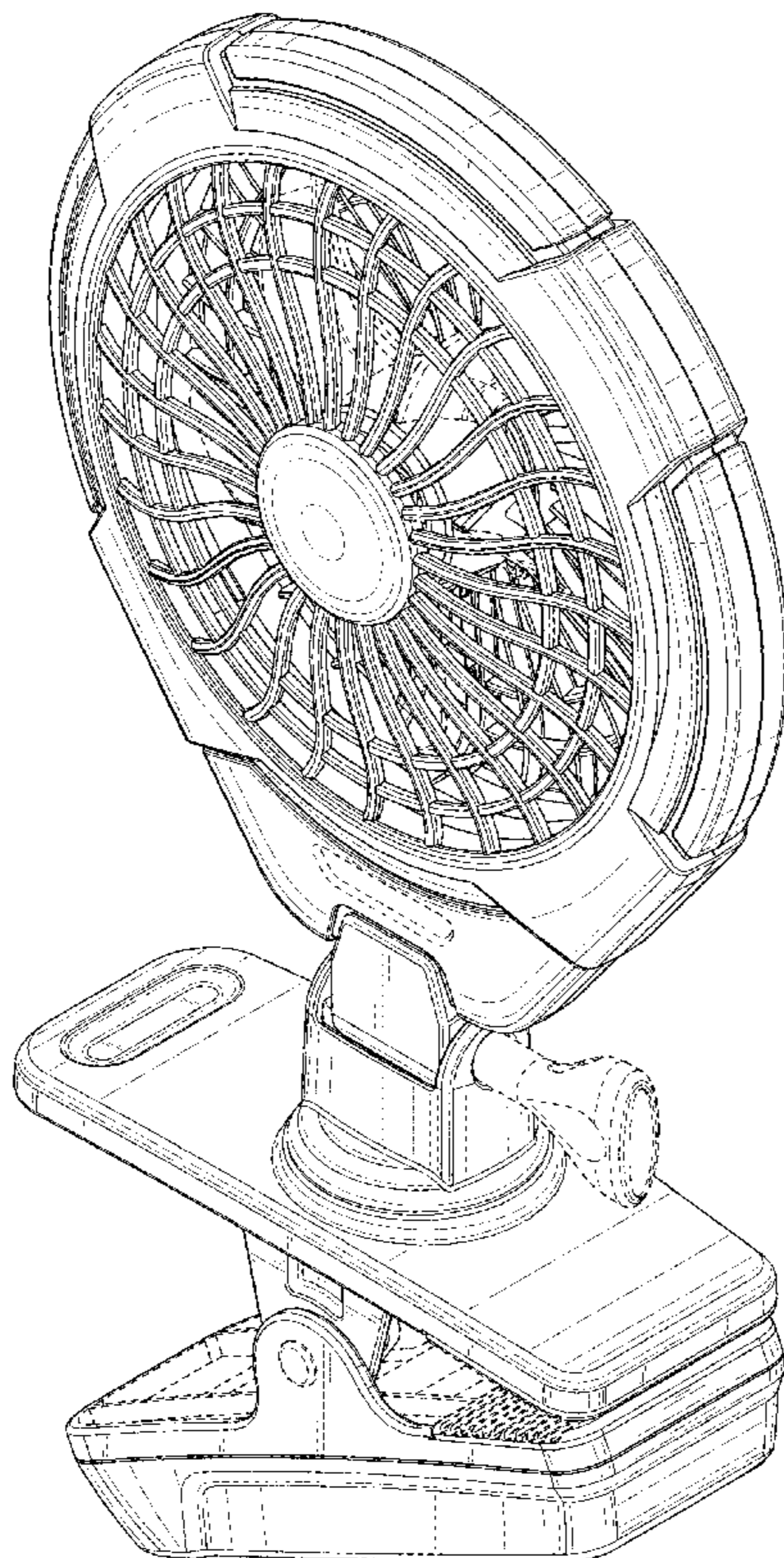
FIG. 6 is a top plan view thereof;

FIG. 7 is a bottom plan view thereof; and,

FIG. 8 is a second perspective view thereof.

The broken lines immediately adjacent the shaded areas represent the bounds of the claimed design while all other broken lines are directed to environment; the broken lines form no part of the claimed design.

1 Claim, 7 Drawing Sheets



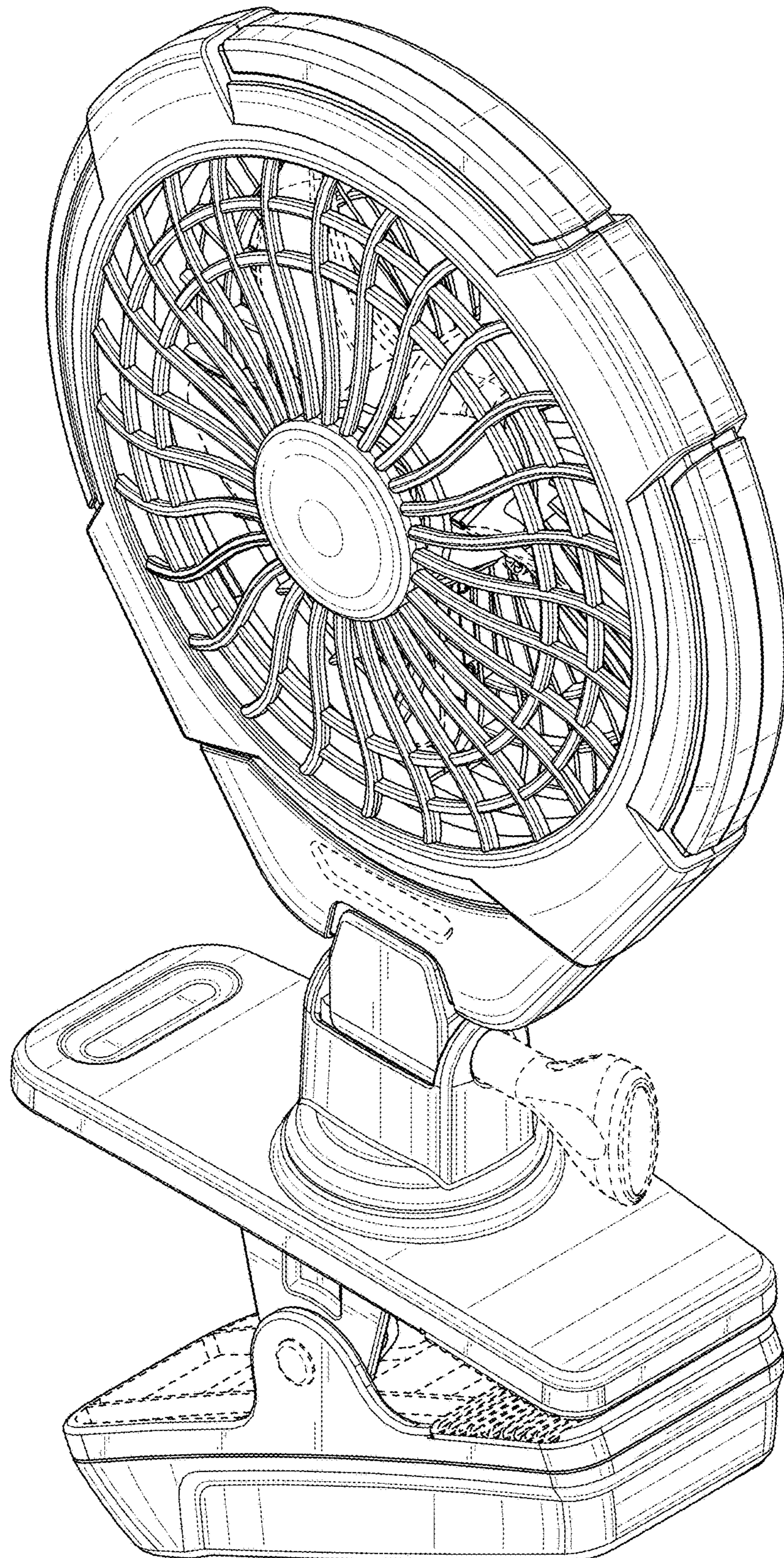


FIG. 1

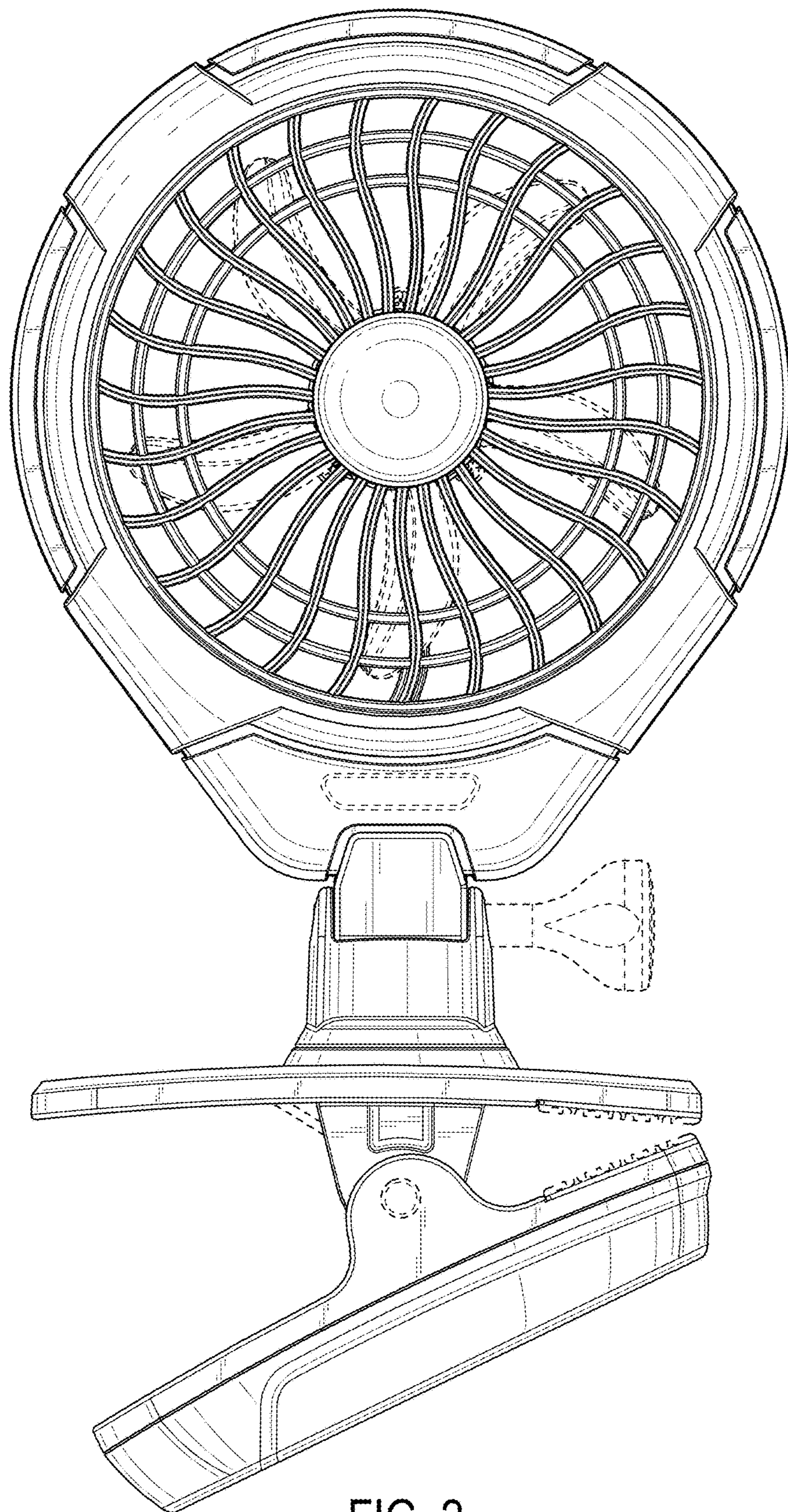


FIG. 2

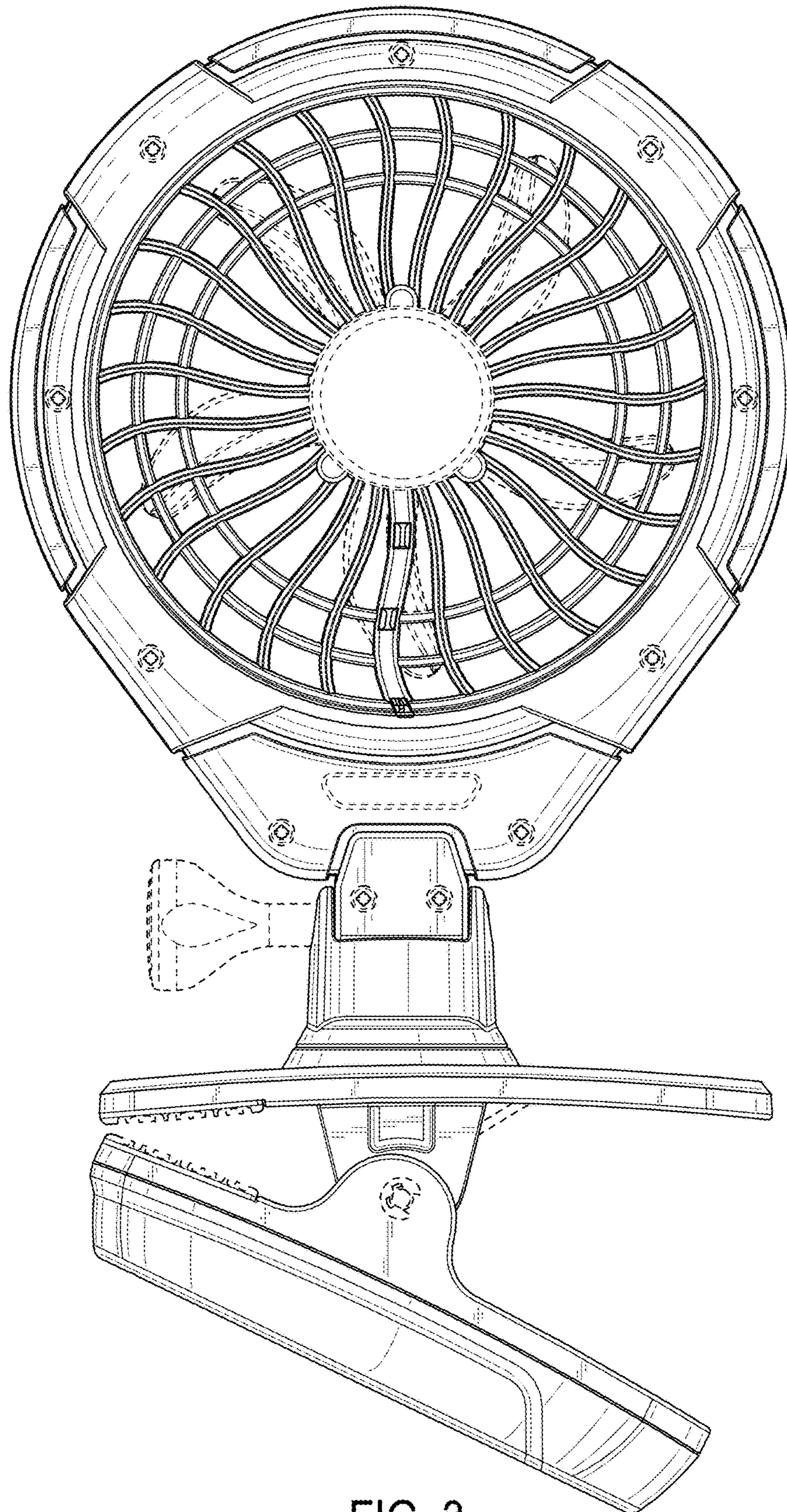


FIG. 3

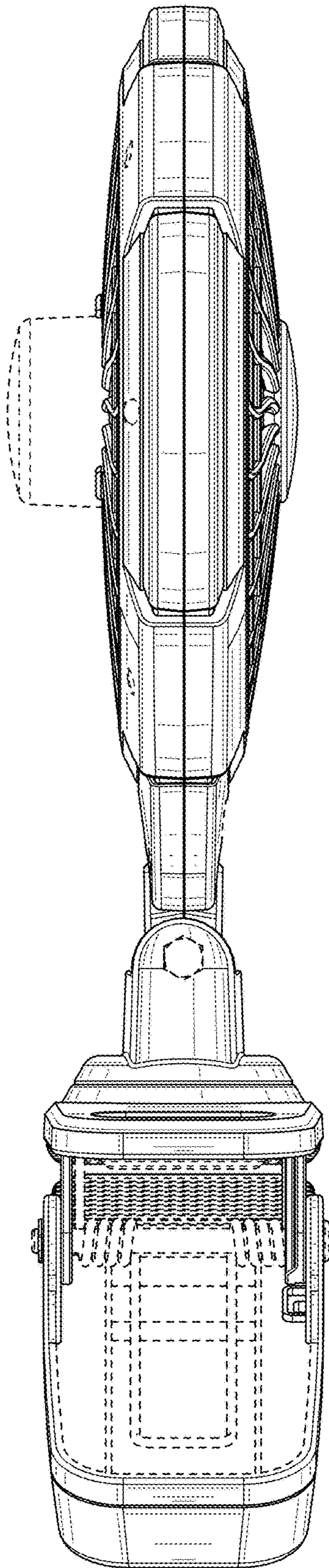


FIG. 4

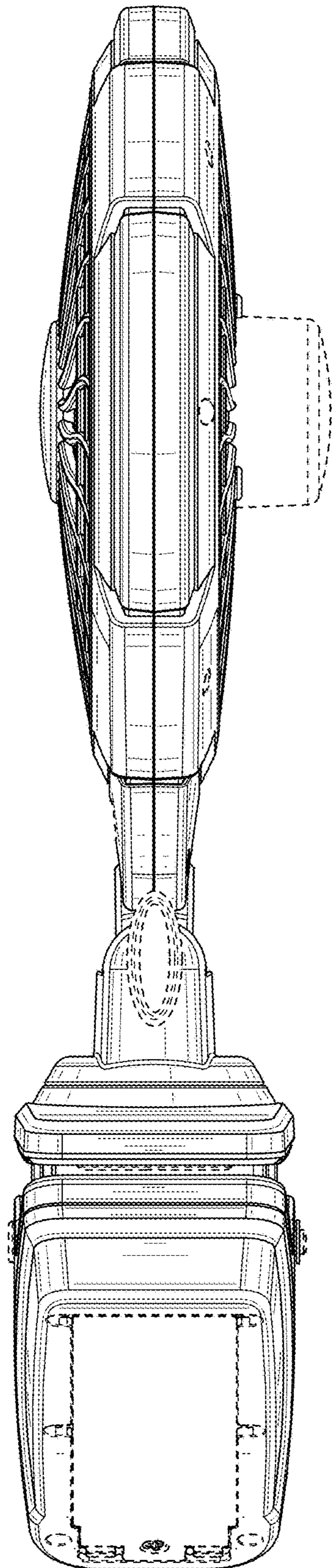


FIG. 5

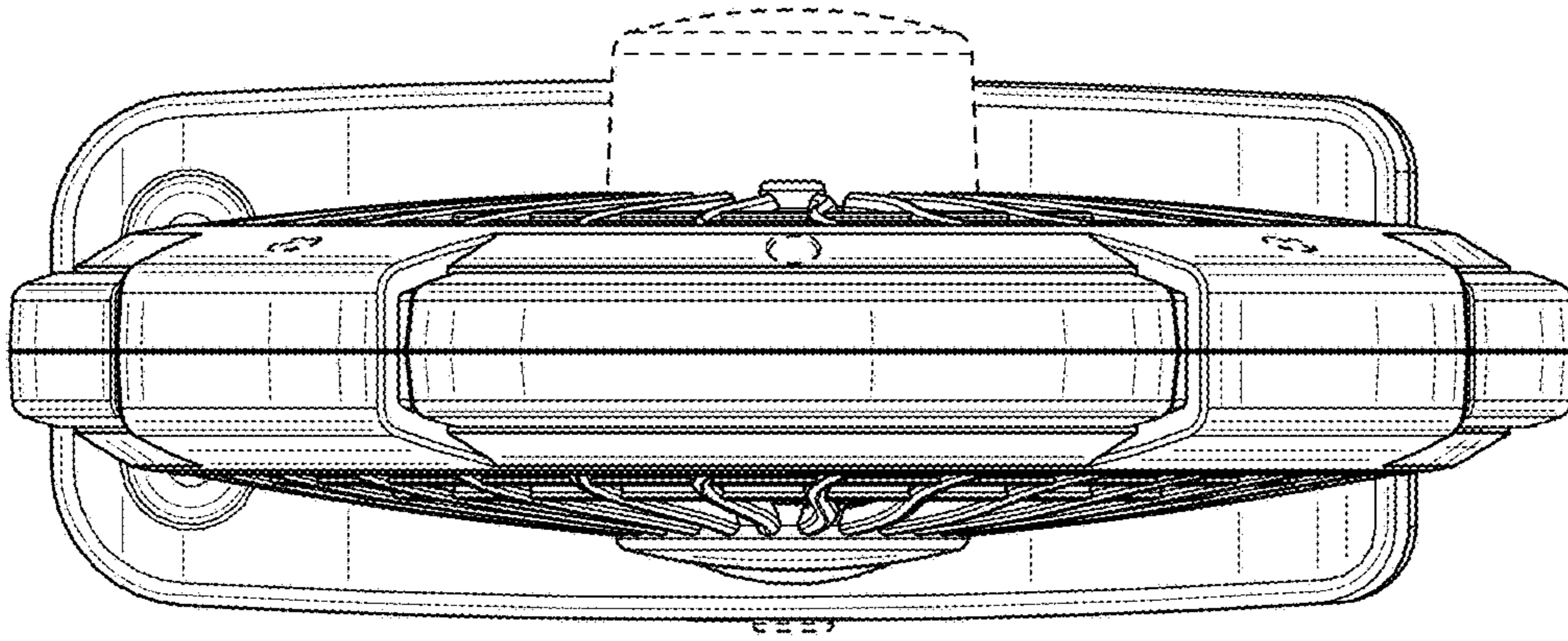


FIG. 6

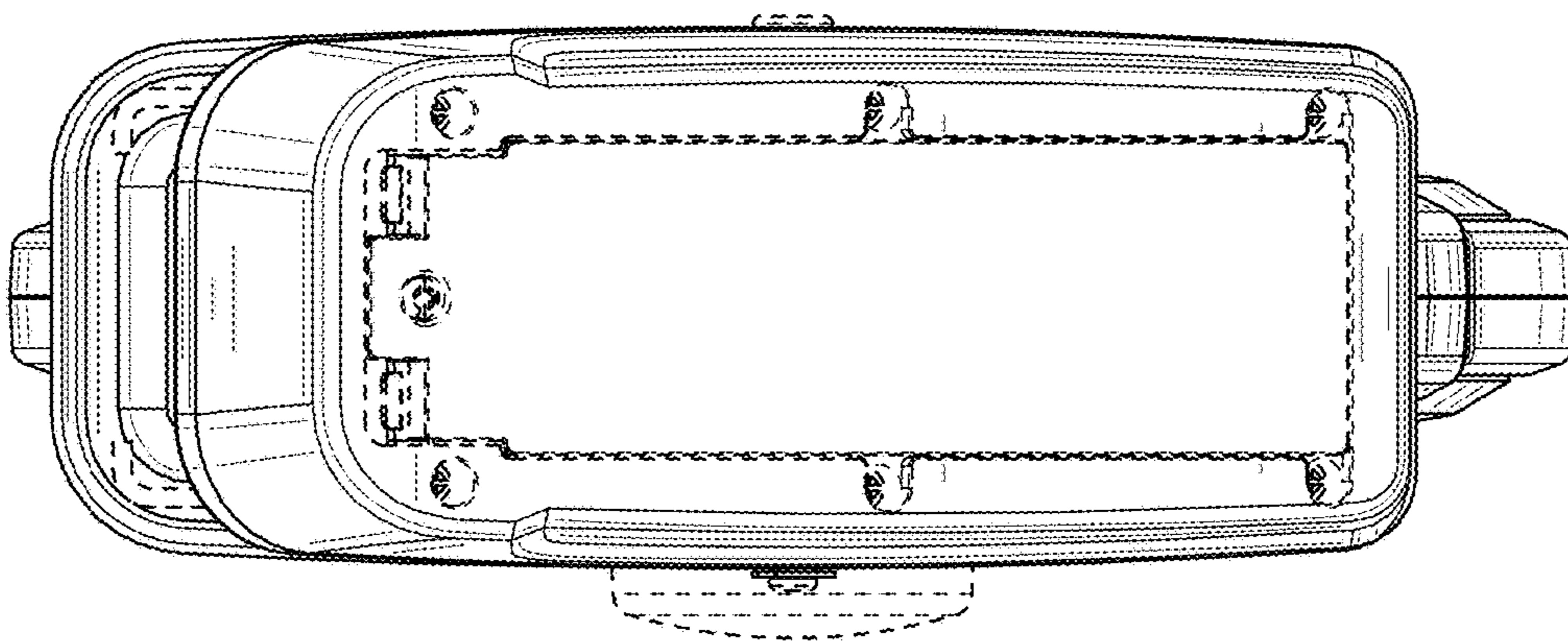


FIG. 7

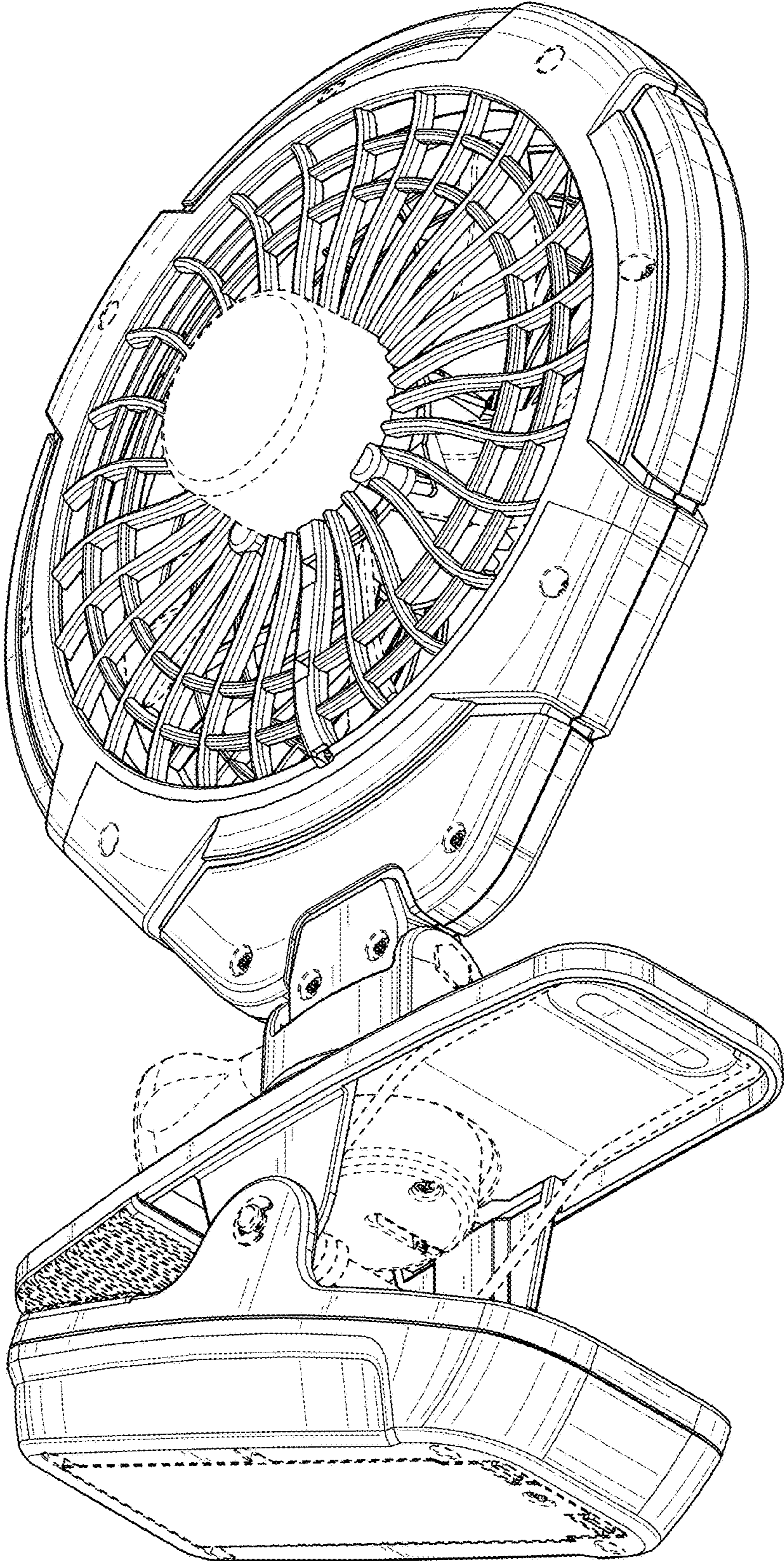


FIG. 8