



US00D818108S

(12) **United States Design Patent**
Junkel et al.

(10) **Patent No.:** **US D818,108 S**
(45) **Date of Patent:** **** May 15, 2018**

- (54) **FAN**
- (71) Applicant: **O2COOL, LLC**, Chicago, IL (US)
- (72) Inventors: **Eric F. Junkel**, Mount Prospect, IL (US); **Michael Ksiazek**, Burr Ridge, IL (US); **Oliver Breit**, Discovery Bay (HK); **Lars Junker**, Kowloon (HK)
- (73) Assignee: **O2COOL, LLC**, Chicago, IL (US)
- (**) Term: **15 Years**
- (21) Appl. No.: **29/596,602**
- (22) Filed: **Mar. 9, 2017**
- (51) **LOC (11) Cl.** **23-04**
- (52) **U.S. Cl.**
USPC **D23/382**
- (58) **Field of Classification Search**
USPC D23/370-379, 381-385, 411-414, 360, D23/314, 335, 332; D26/59, 106, 61-62, D26/104, 63-65; D32/15
CPC F04D 5/00; F04D 27/00; F24H 3/04
See application file for complete search history.

(56) **References Cited**

U.S. PATENT DOCUMENTS

- D387,151 S * 12/1997 Fok D23/332
- D429,326 S * 8/2000 Fok D23/332
- D458,361 S * 6/2002 Melwani D23/379
- D564,084 S * 3/2008 Chen D23/382

- D566,260 S * 4/2008 Chen D23/382
- D610,671 S * 2/2010 Zhuang D23/382
- D683,010 S * 5/2013 Chen D23/370
- D689,599 S * 9/2013 Herbst D23/382
- D689,600 S * 9/2013 Herbst D23/382
- D750,212 S * 2/2016 Herbst D23/382
- D752,201 S * 3/2016 Herbst D23/370
- 2013/0315727 A1 * 11/2013 Ho F04D 25/166
415/213.1

* cited by examiner

Primary Examiner — Janice Hallmark

(74) *Attorney, Agent, or Firm* — Thompson Coburn LLP; Alan H. Norman

(57) **CLAIM**

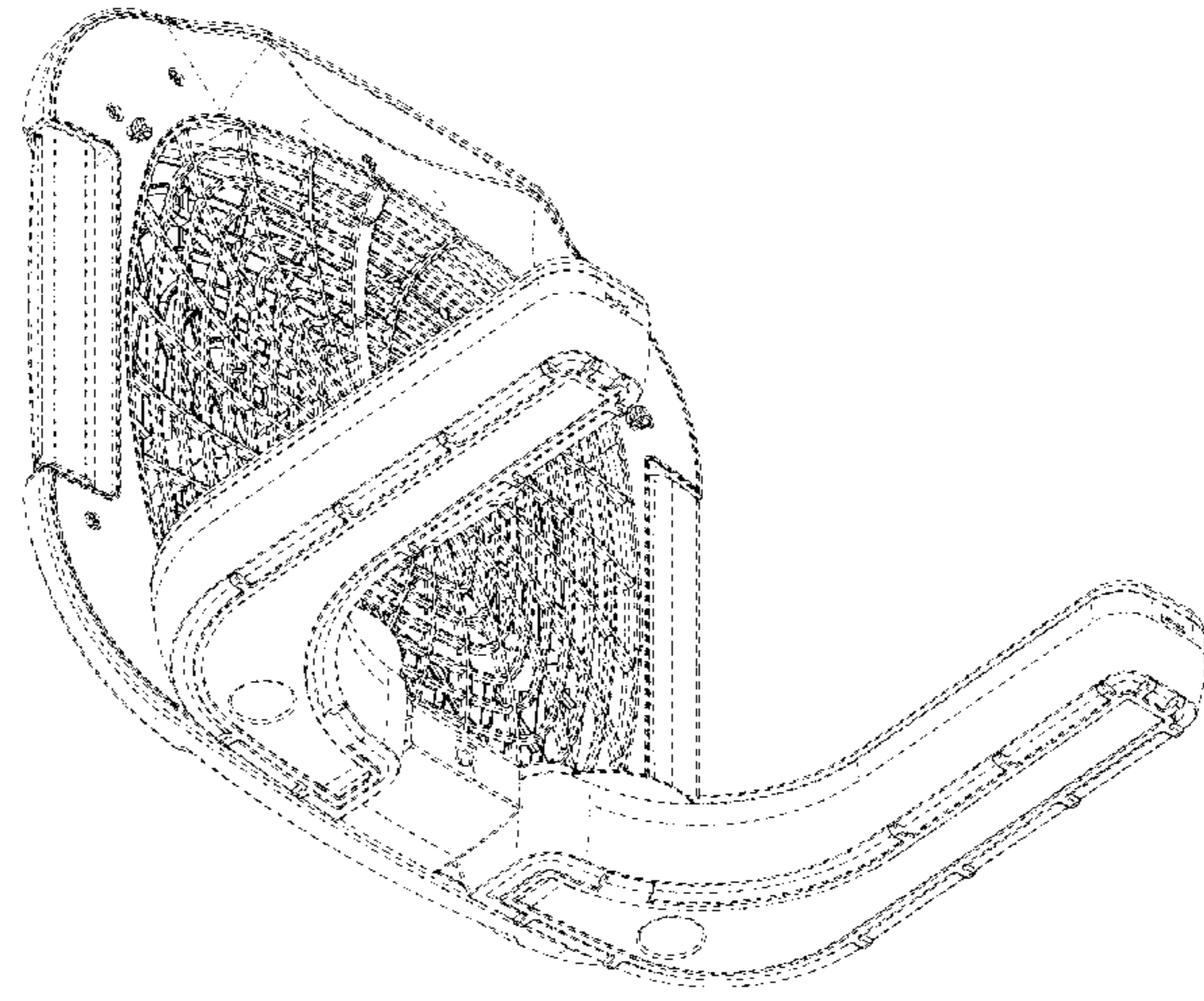
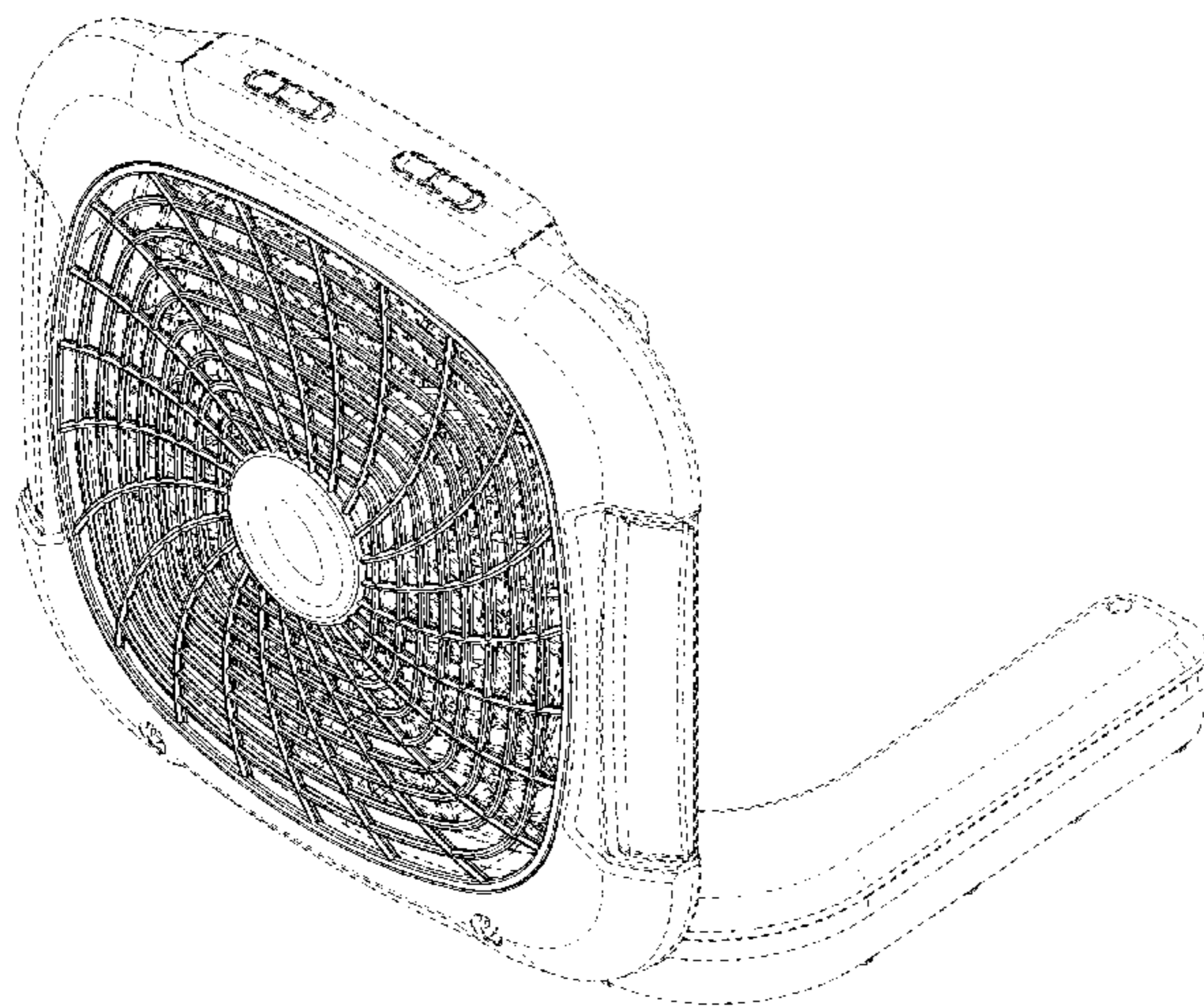
The ornamental design for a fan, as shown and described.

DESCRIPTION

FIG. 1 is a perspective view of the fan of our new design; FIG. 2 is an alternate perspective view thereof; FIG. 3 is a front view thereof; FIG. 4 is a rear view thereof; FIG. 5 is a right side view thereof; FIG. 6 is a left side view thereof; FIG. 7 is a top plan view thereof; and, FIG. 8 is a bottom plan view thereof.

The broken lines immediately adjacent the shaded areas represent the bounds of the claimed design while all other broken lines are directed to environment; the broken lines form no part of the claimed design.

1 Claim, 8 Drawing Sheets



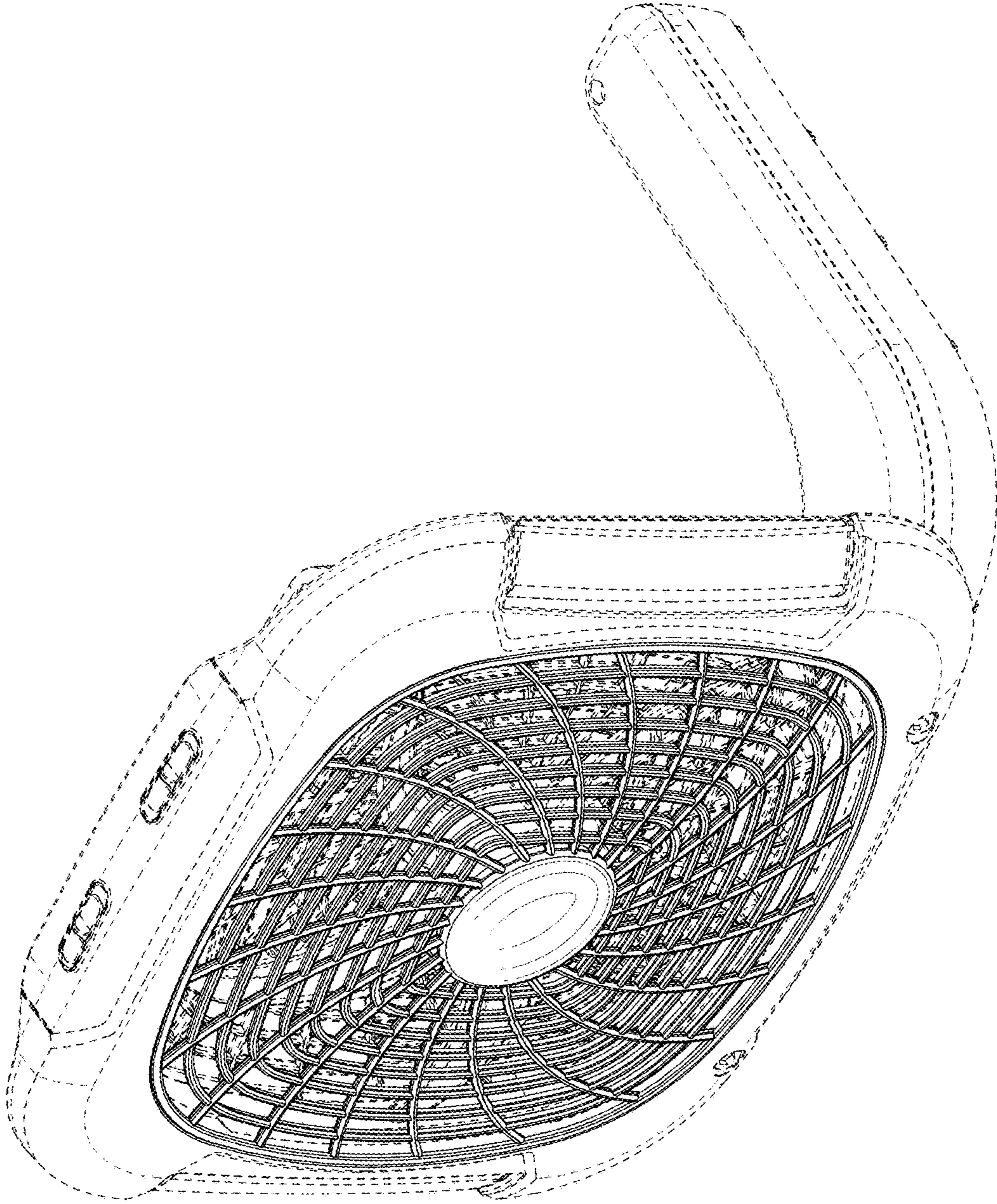


FIG. 1

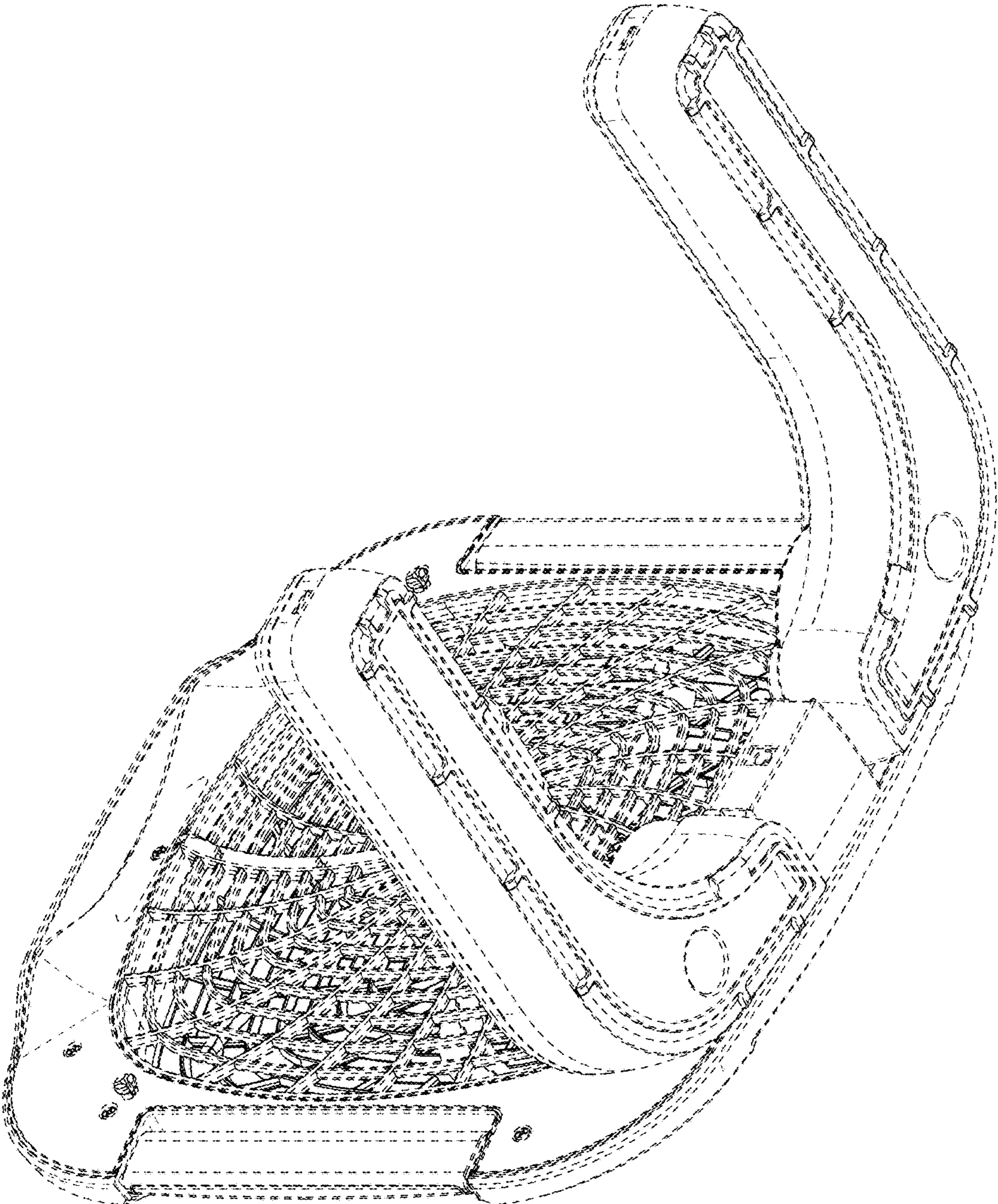


FIG. 2

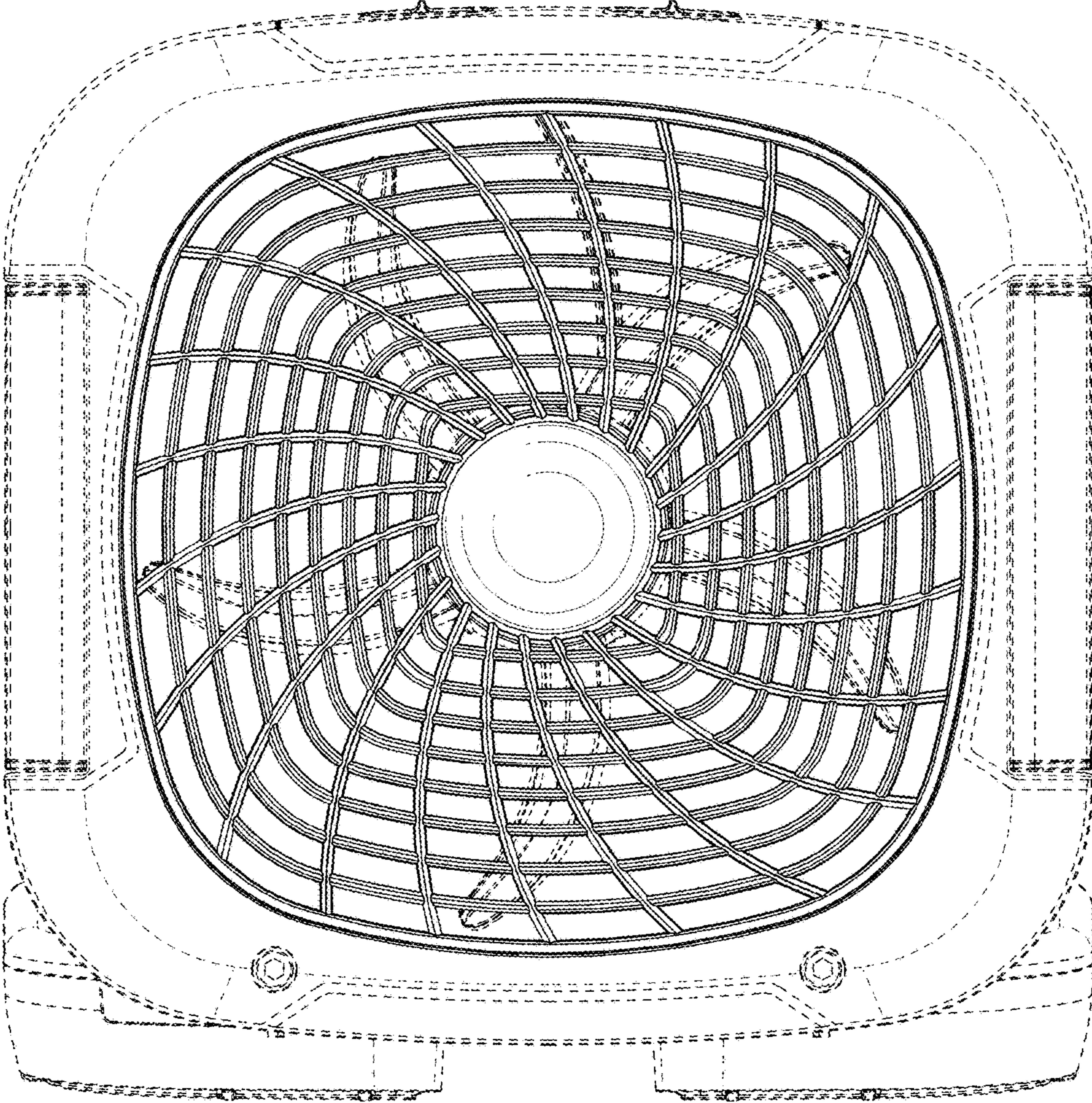


FIG. 3

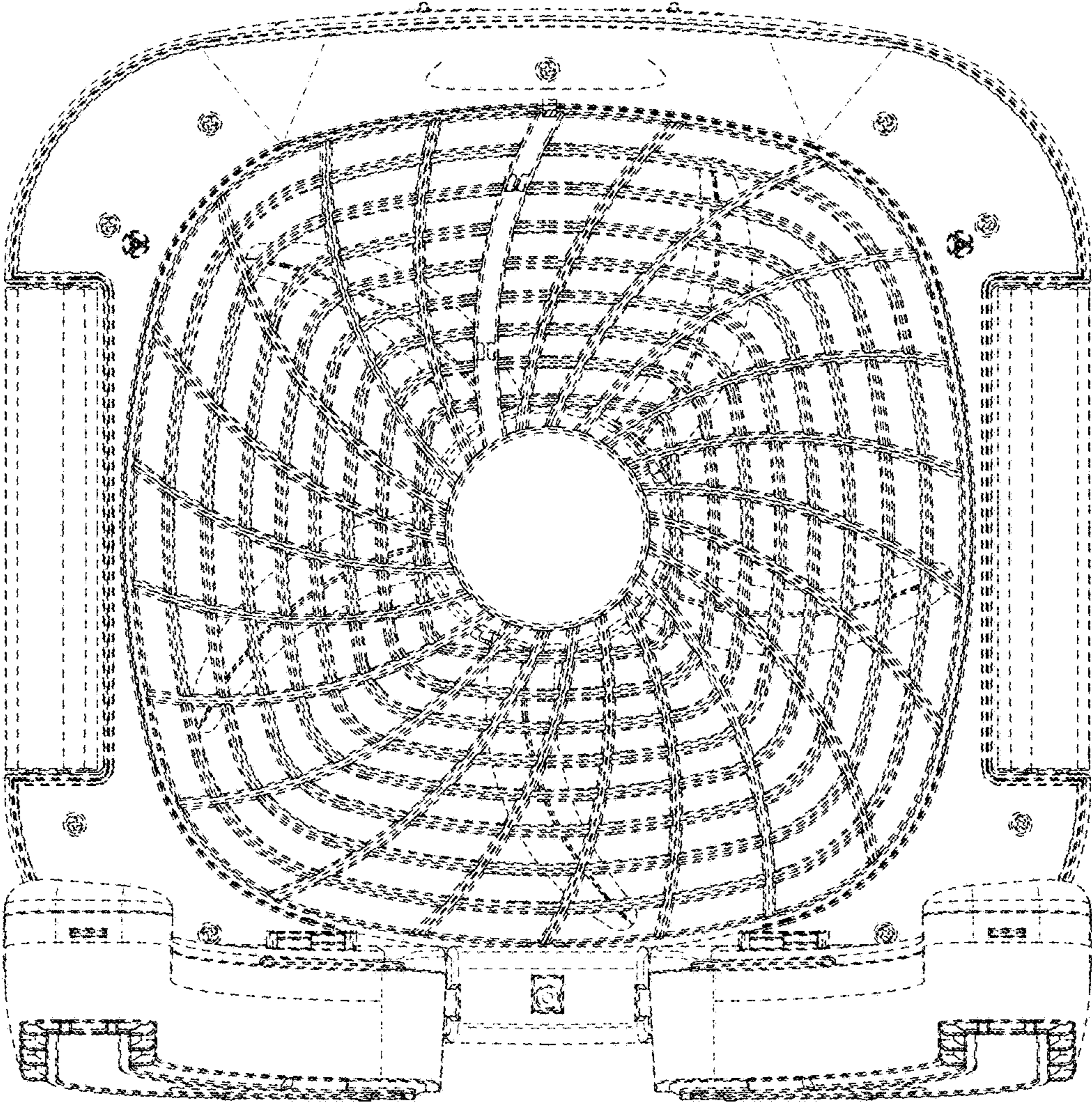


FIG. 4

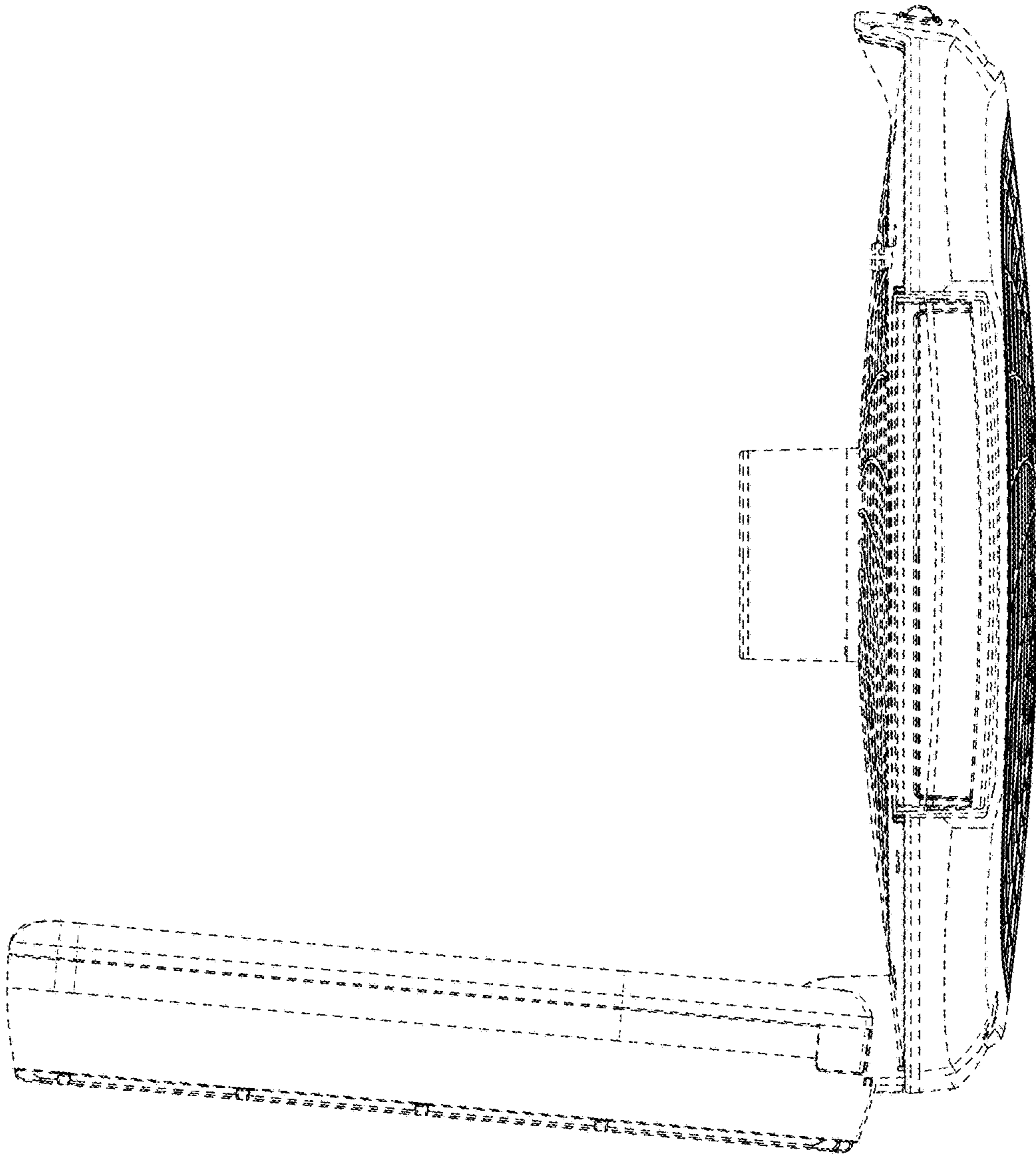


FIG. 5

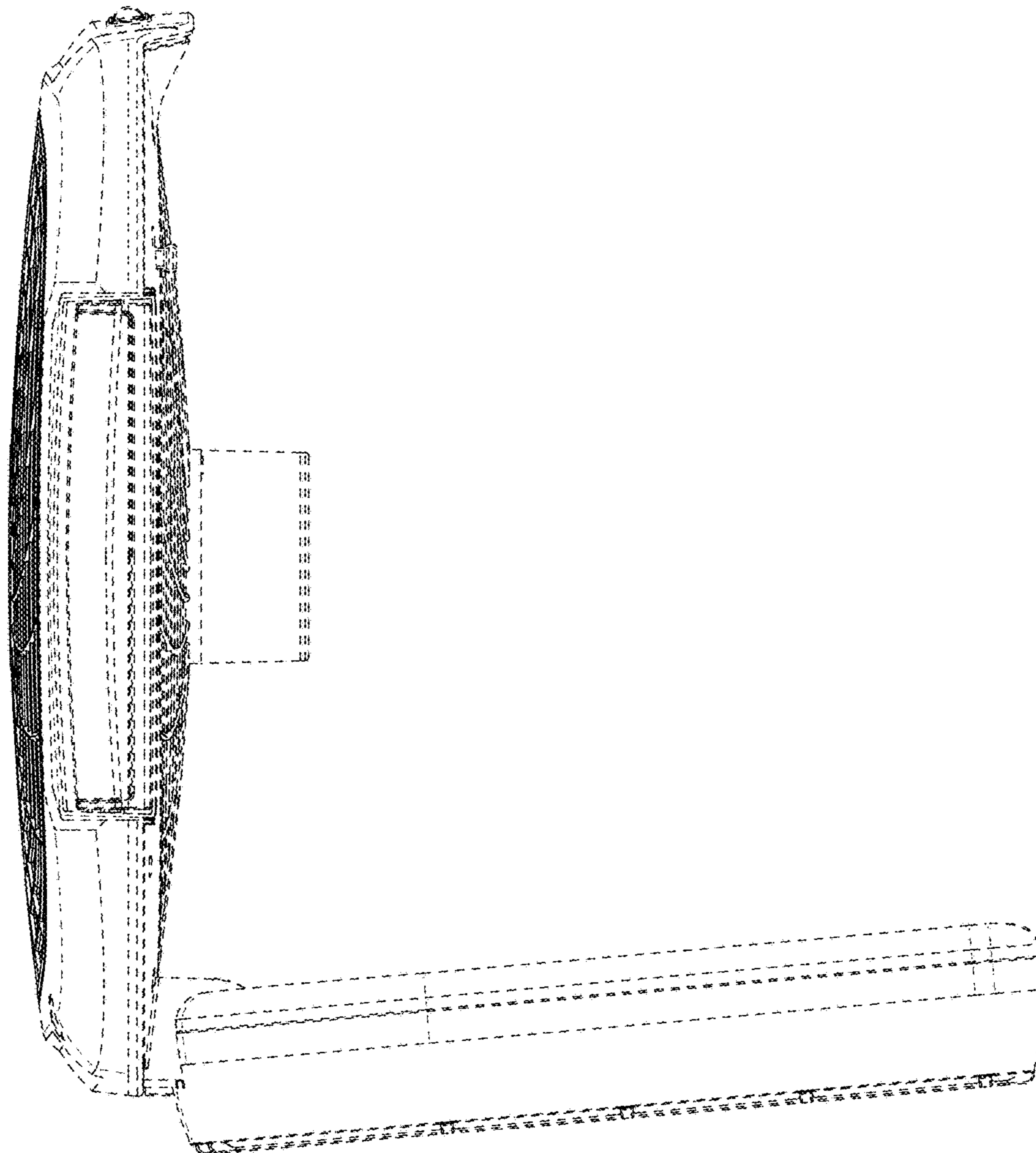


FIG. 6

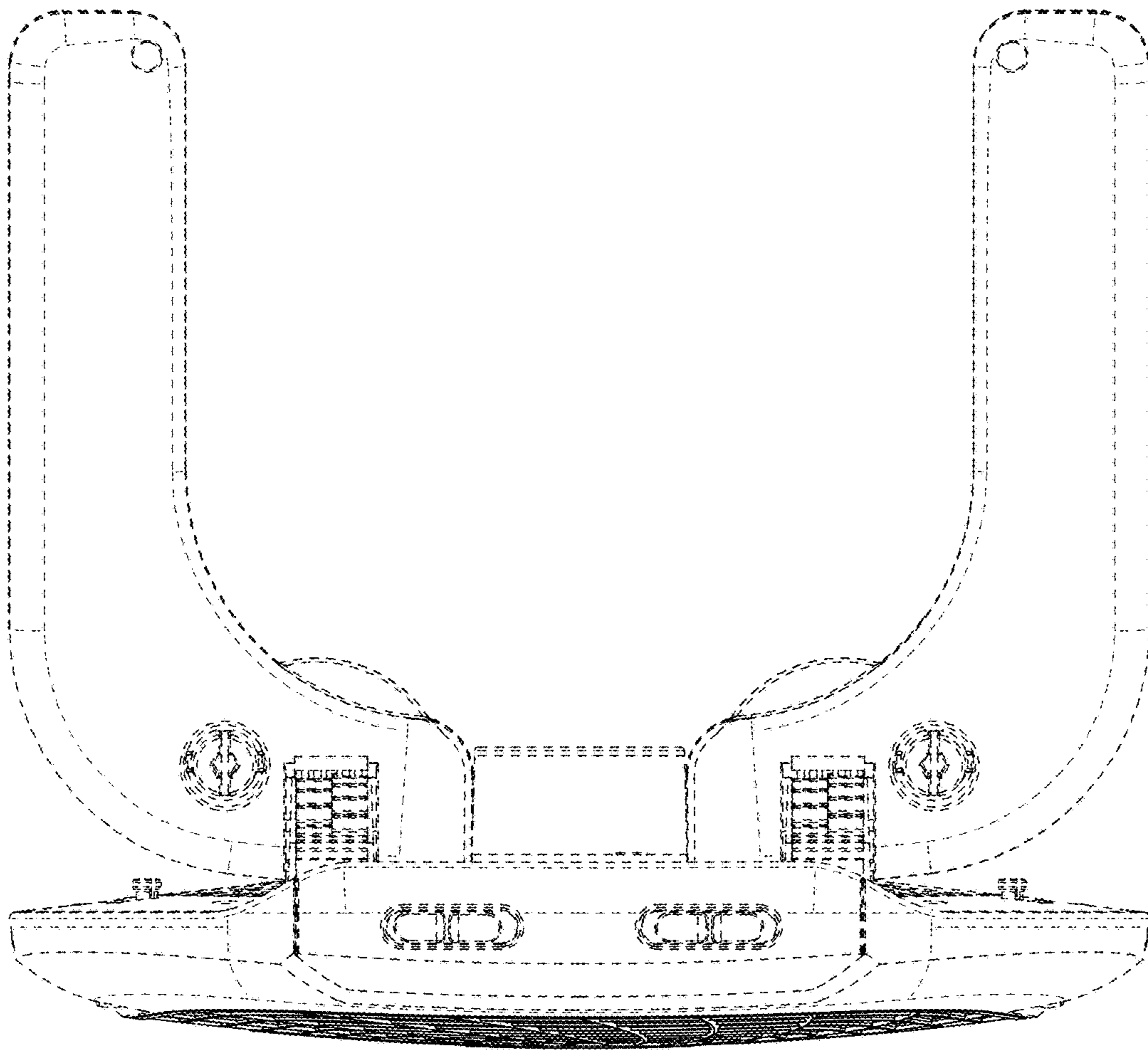


FIG. 7

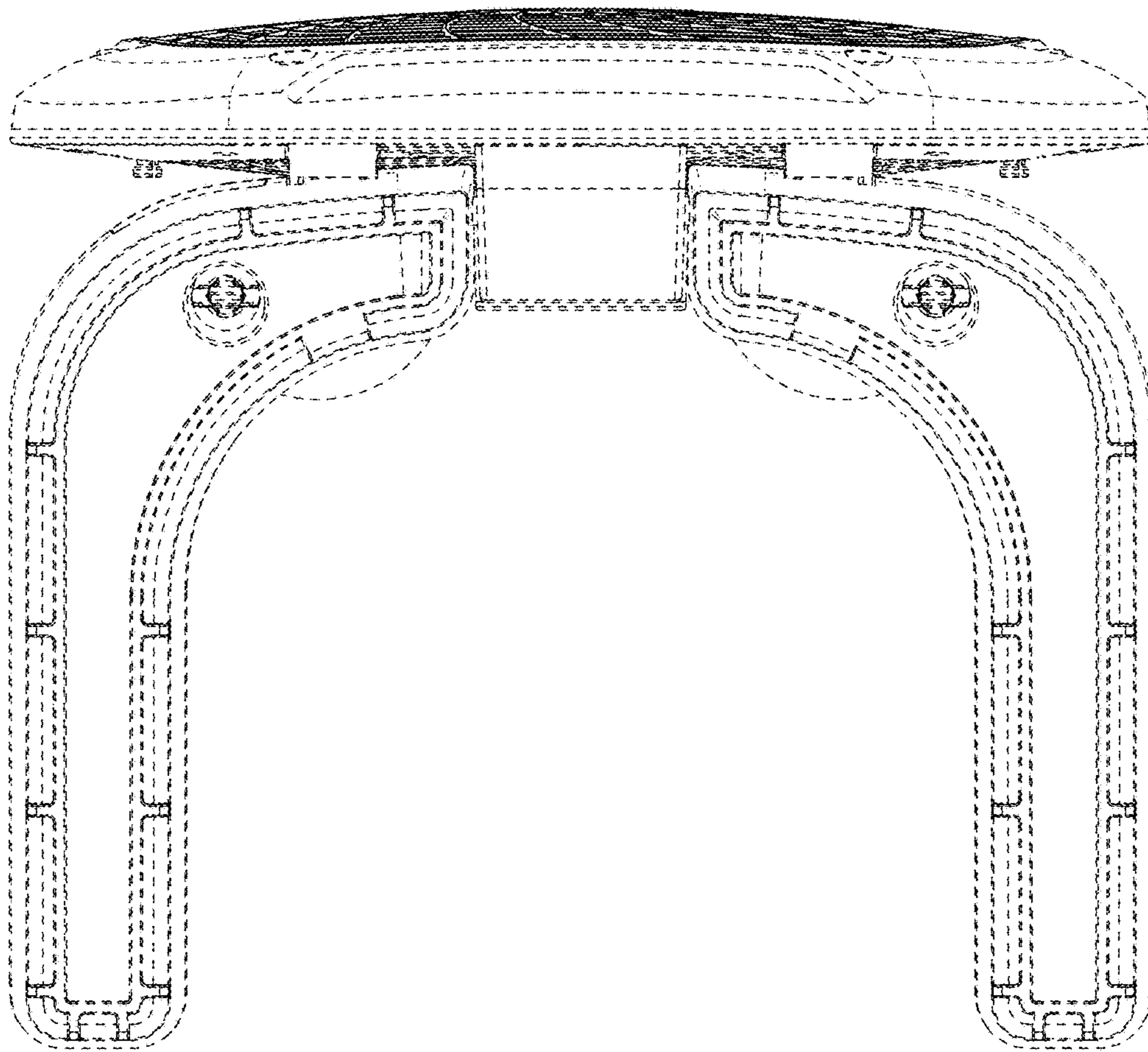


FIG. 8